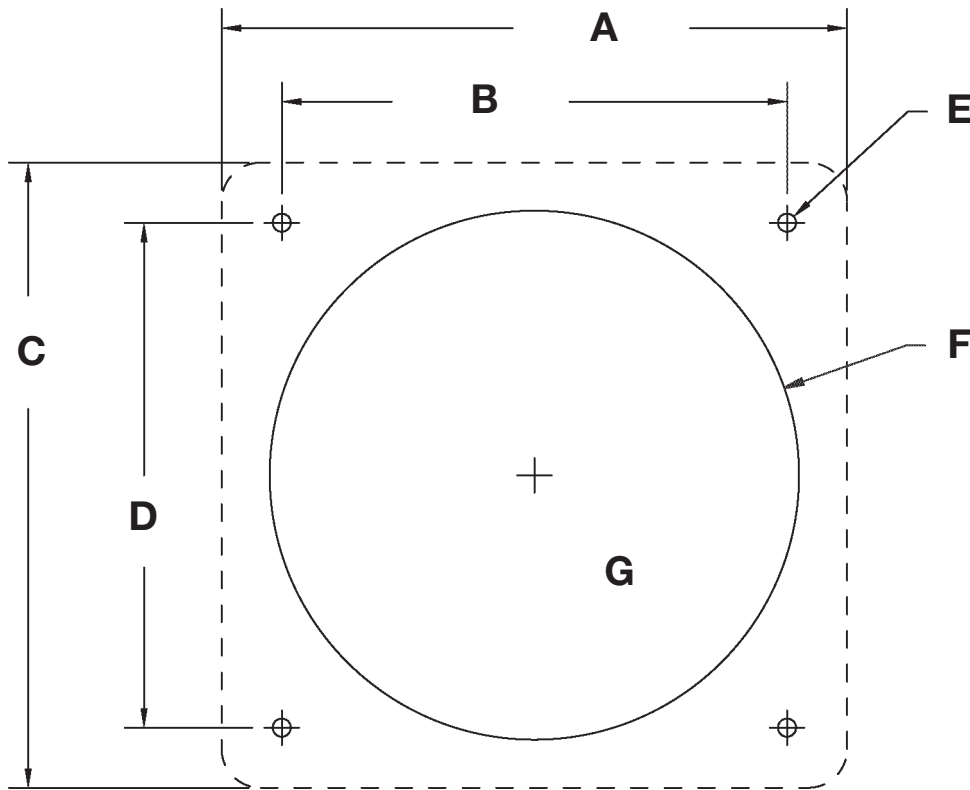




MasterFlush™ 8100 Series Toilet Wall Switch Template



Ref.	Dimension
A	83 mm / 3.25 in.
B	67 mm / 2.63 in.
C	83 mm / 3.25 in.
D	67 mm / 2.63 in.
E	2 mm / 0.10 in. dia.
F	70 mm / 2.75 in. dia.
G	76 mm / 3 in. clearance behind wall surface

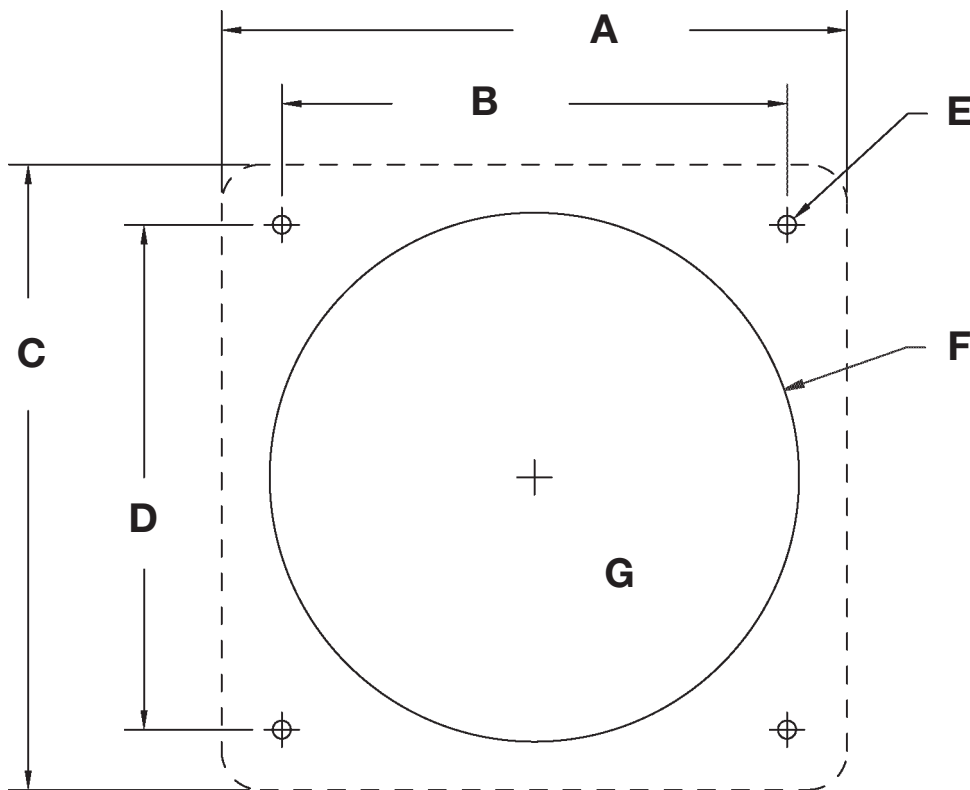


Dometic Corporation
Sanitation Division
13128 State Rt. 226
P.O. Box 38
Big Prairie, OH 44611 USA
1-800-321-9886
Fax: 330-496-3097
www.Dometic.com

REVISION A
Form No. 600346417 8/17
©2017 Dometic Corporation



MasterFlush™ 8100 Series Toilet Wall Switch Template



Ref.	Dimension
A	83 mm / 3.25 in.
B	67 mm / 2.63 in.
C	83 mm / 3.25 in.
D	67 mm / 2.63 in.
E	2 mm / 0.10 in. dia.
F	70 mm / 2.75 in. dia.
G	76 mm / 3 in. clearance behind wall surface



Dometic Corporation
Sanitation Division
13128 State Rt. 226
P.O. Box 38
Big Prairie, OH 44611 USA
1-800-321-9886
Fax: 330-496-3097
www.Dometic.com

REVISION A
Form No. 600346417 8/17
©2017 Dometic Corporation