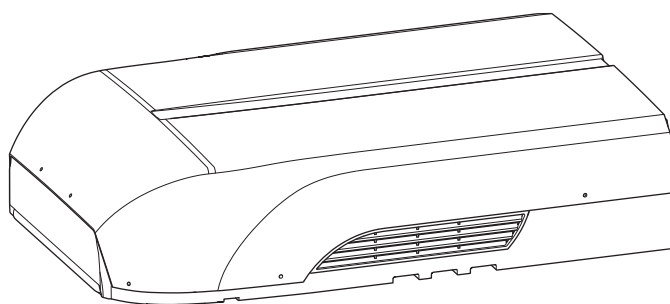




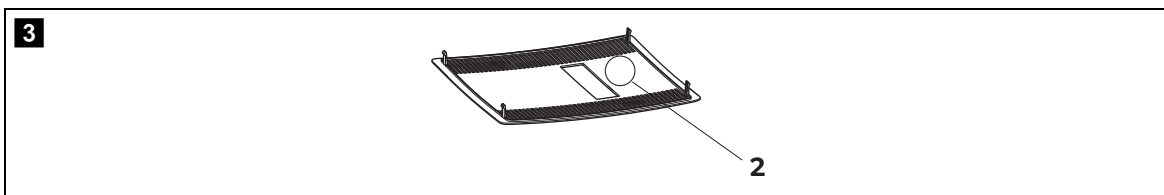
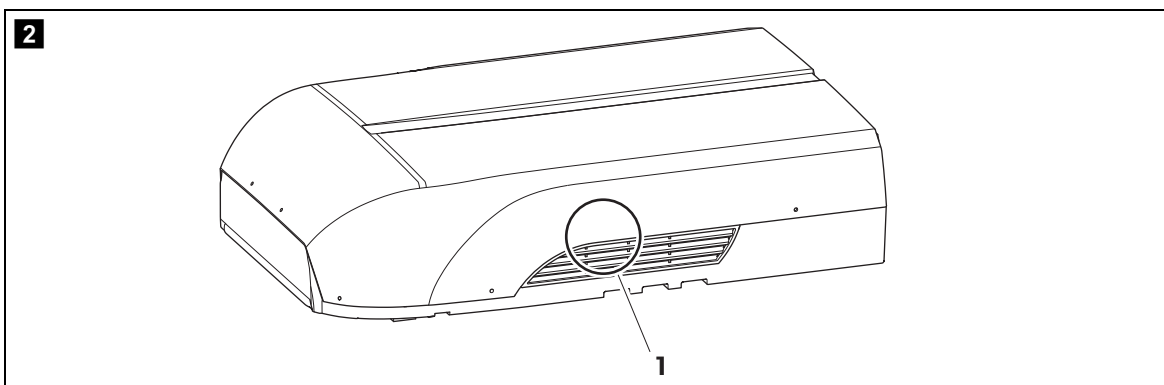
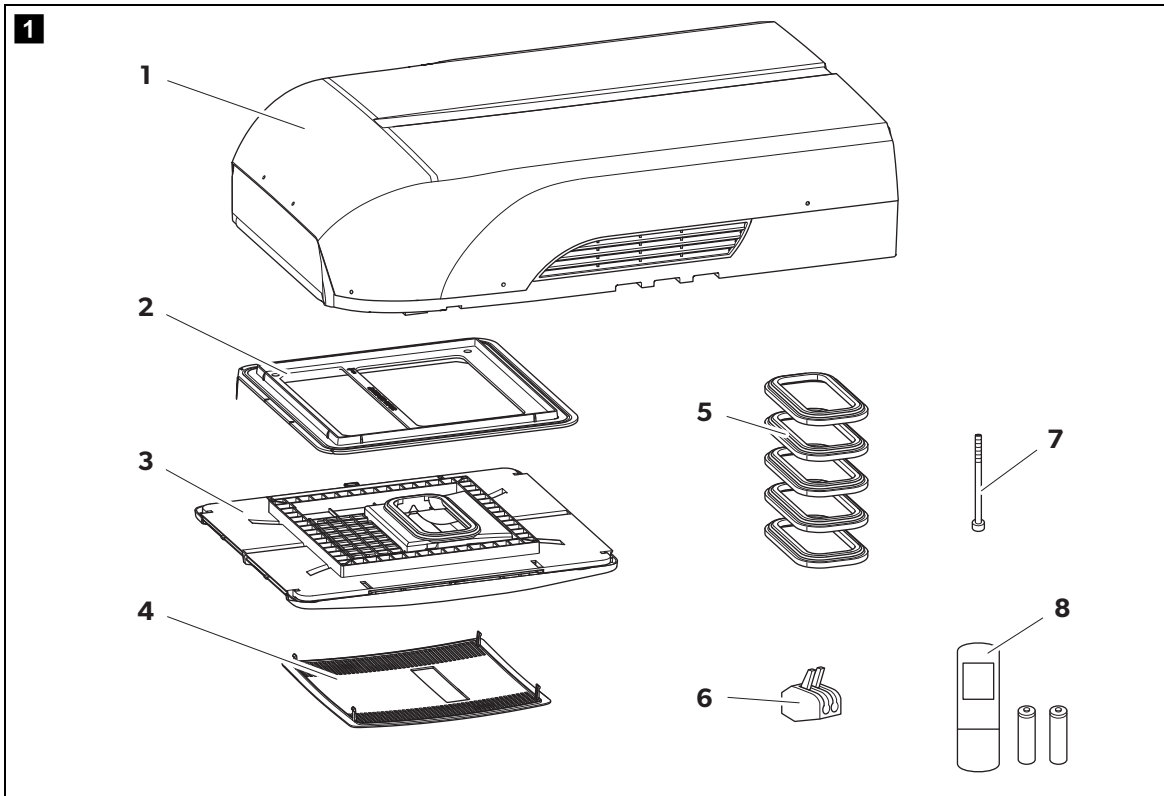
# CLIMATE CONTROL FRESHJET

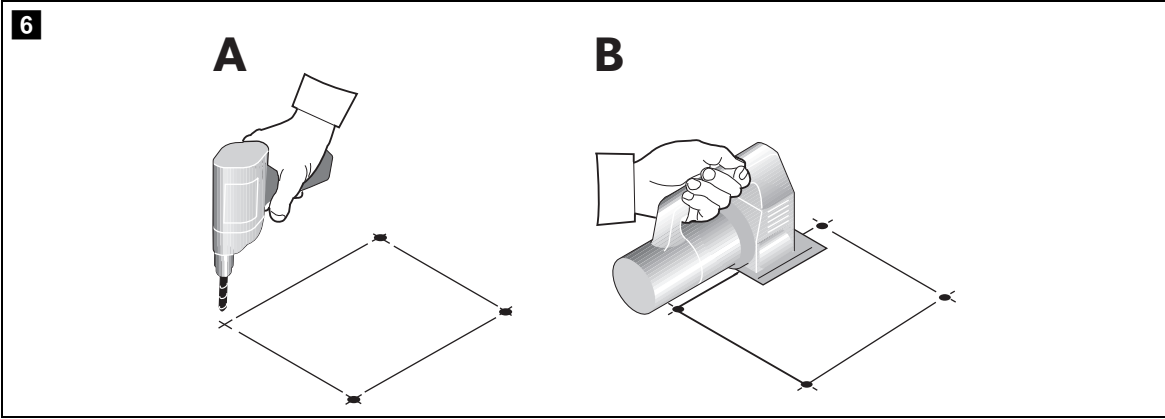
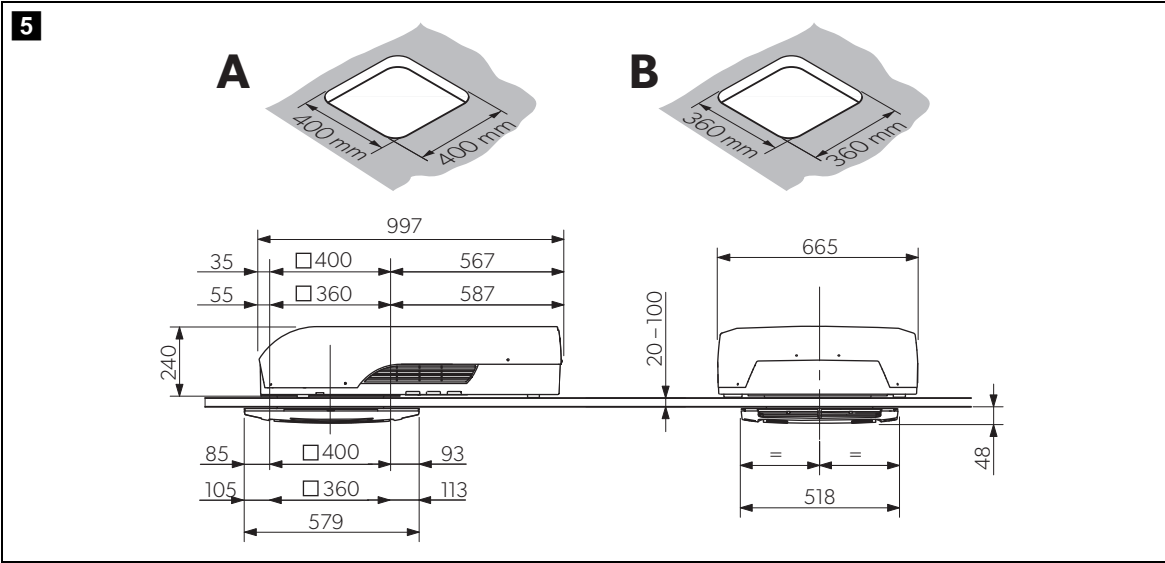
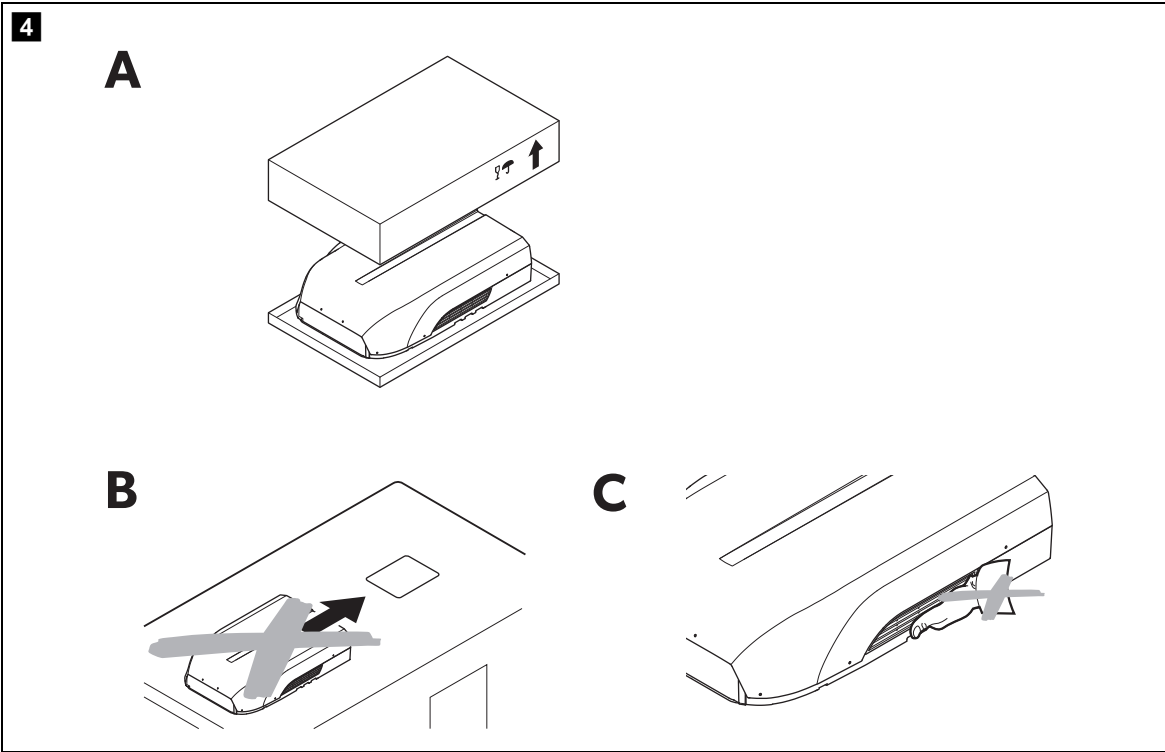


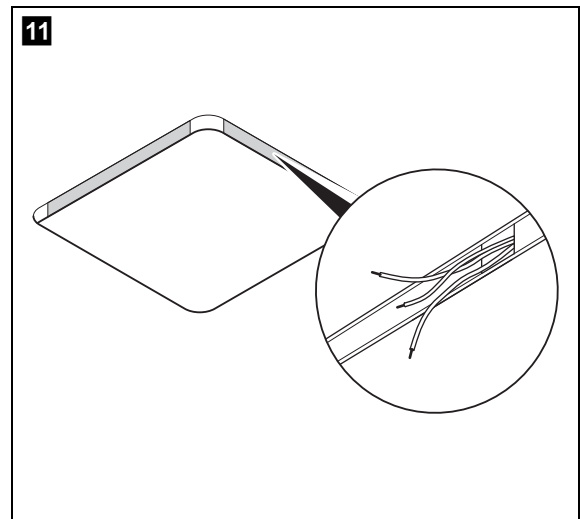
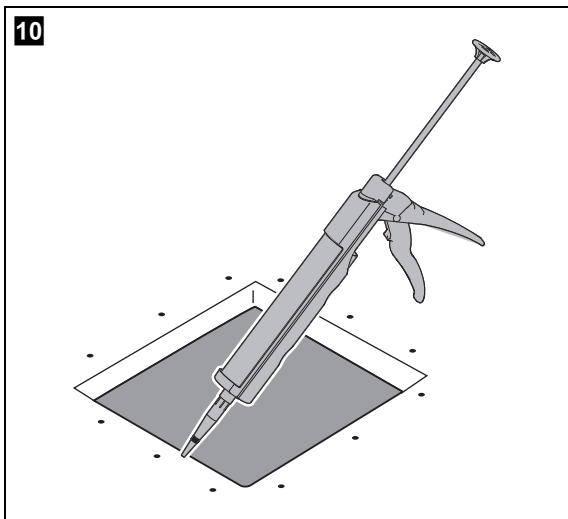
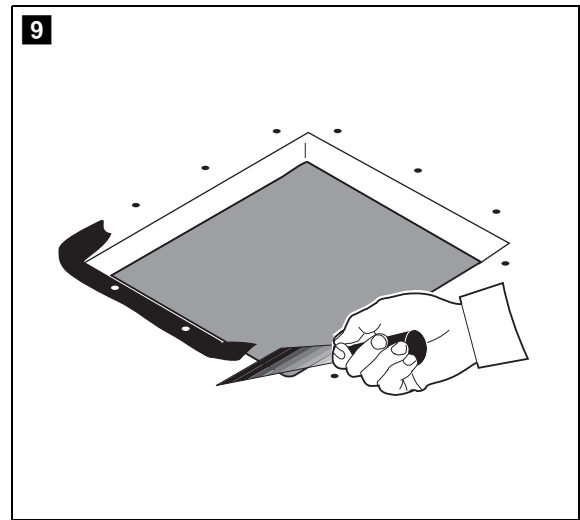
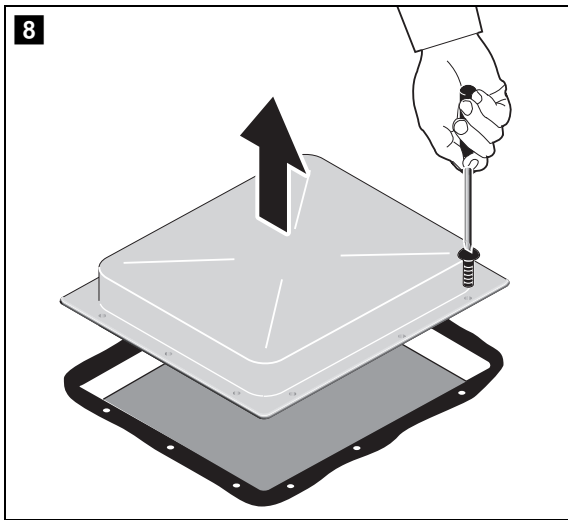
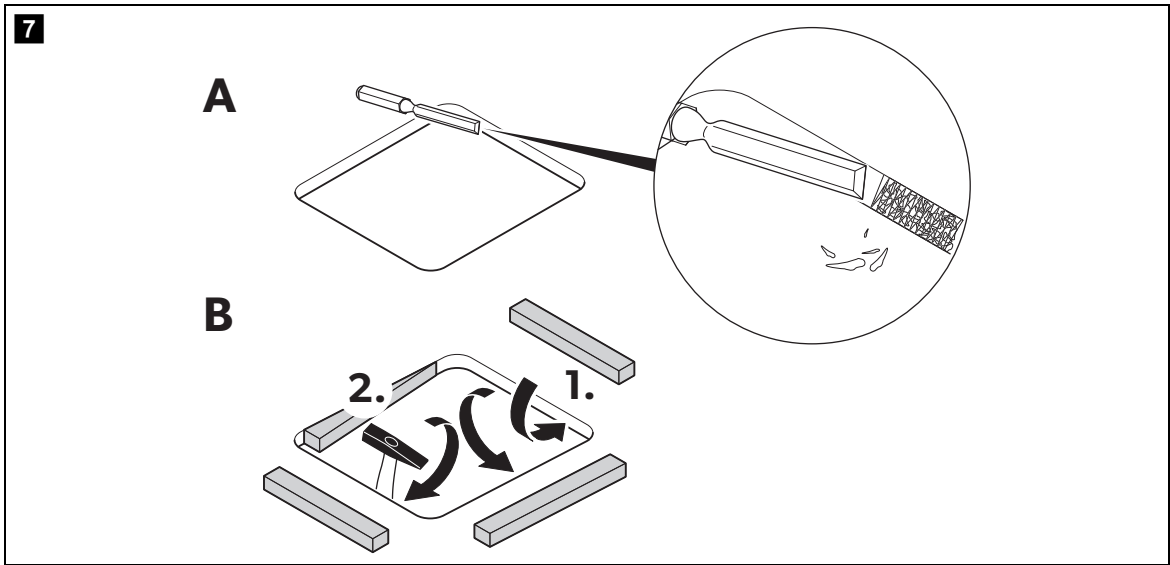
FreshJet 3000

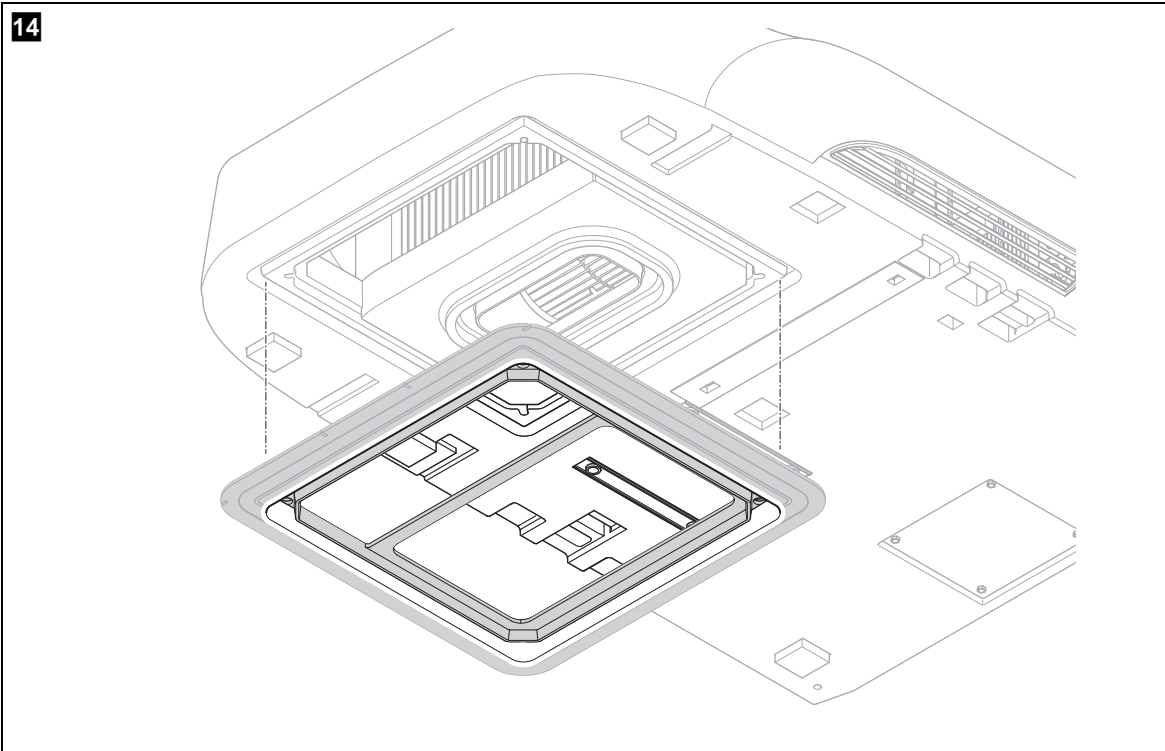
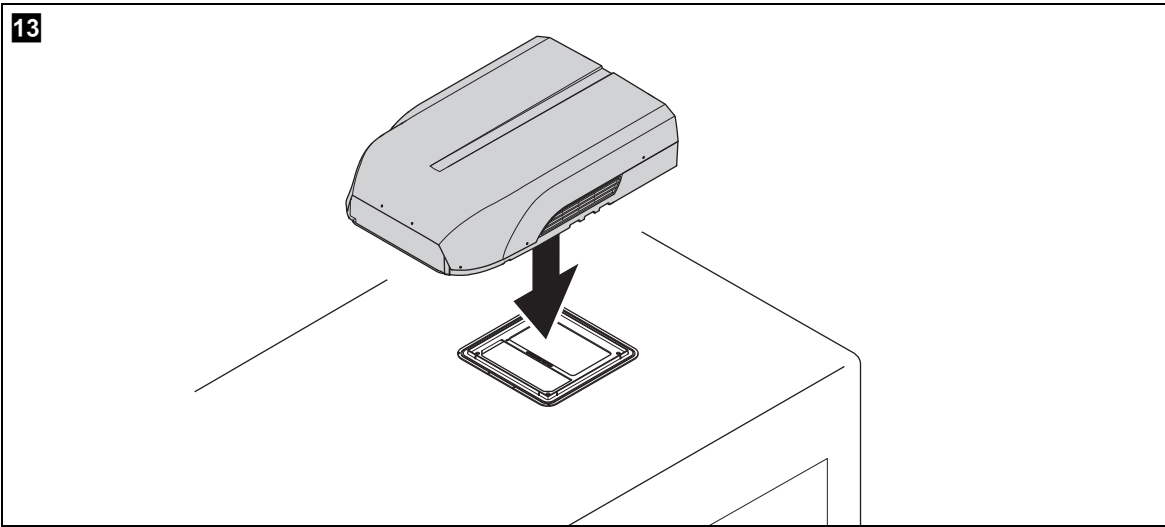
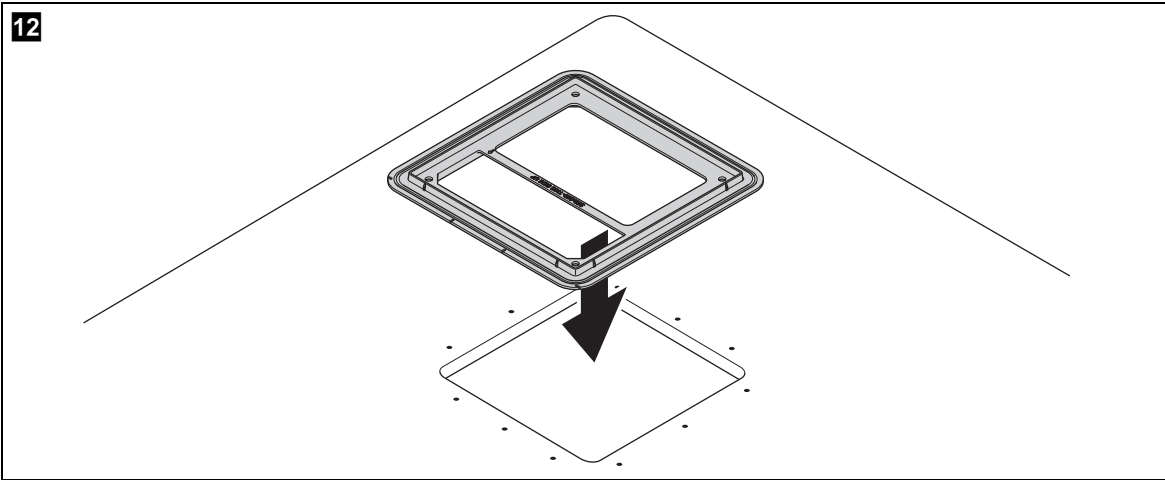
EN	<b>Air conditioning roof unit</b> Installation Manual ..... 9	RU	<b>Накрышный кондиционер</b> Инструкция по монтажу ..... 142
DE	<b>Dachklimaanlage</b> Montageanleitung ..... 21	PL	<b>Klimatyzator dachowy</b> Instrukcja montażu ..... 155
FR	<b>Climatiseur de toit</b> Instructions de montage ..... 33	SK	<b>Strešné klimatizačné zariadenie</b> Návod na montáž ..... 167
ES	<b>Aire acondicionado de techo</b> Instrucciones de montaje ..... 45	CS	<b>Střešní klimatizace</b> Návod k montáži ..... 179
PT	<b>Ar condicionado para tejadilho</b> Instruções de montagem ..... 57	HU	<b>Tetőklíma-berendezés</b> Szerelési útmutató ..... 191
IT	<b>Climatizzatore a tetto</b> Indicazioni di montaggio ..... 70		
NL	<b>Airconditioning voor dakinbouw</b> Montagehandleiding ..... 82		
DA	<b>Klimaanlæg til tagmontering</b> Monteringsvejledning ..... 94		
SV	<b>Takmonterad klimatanläggning</b> Monteringsanvisning ..... 106		
NO	<b>Takmontert klimaanlegg</b> Monteringsanvisning ..... 118		
FI	<b>Kattoilmastointilaitteisto</b> Asennusohje ..... 130		

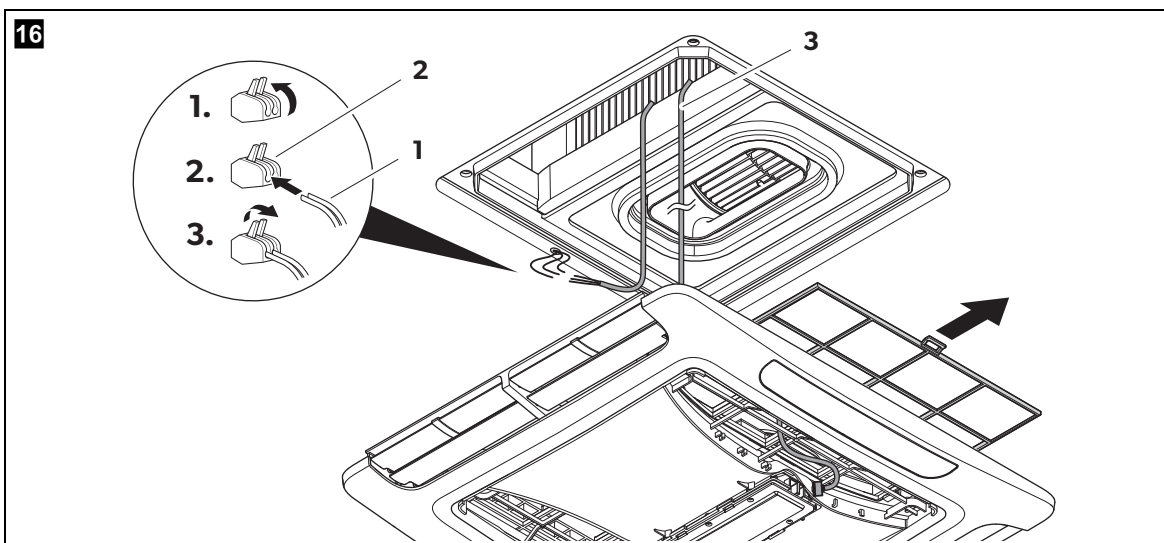
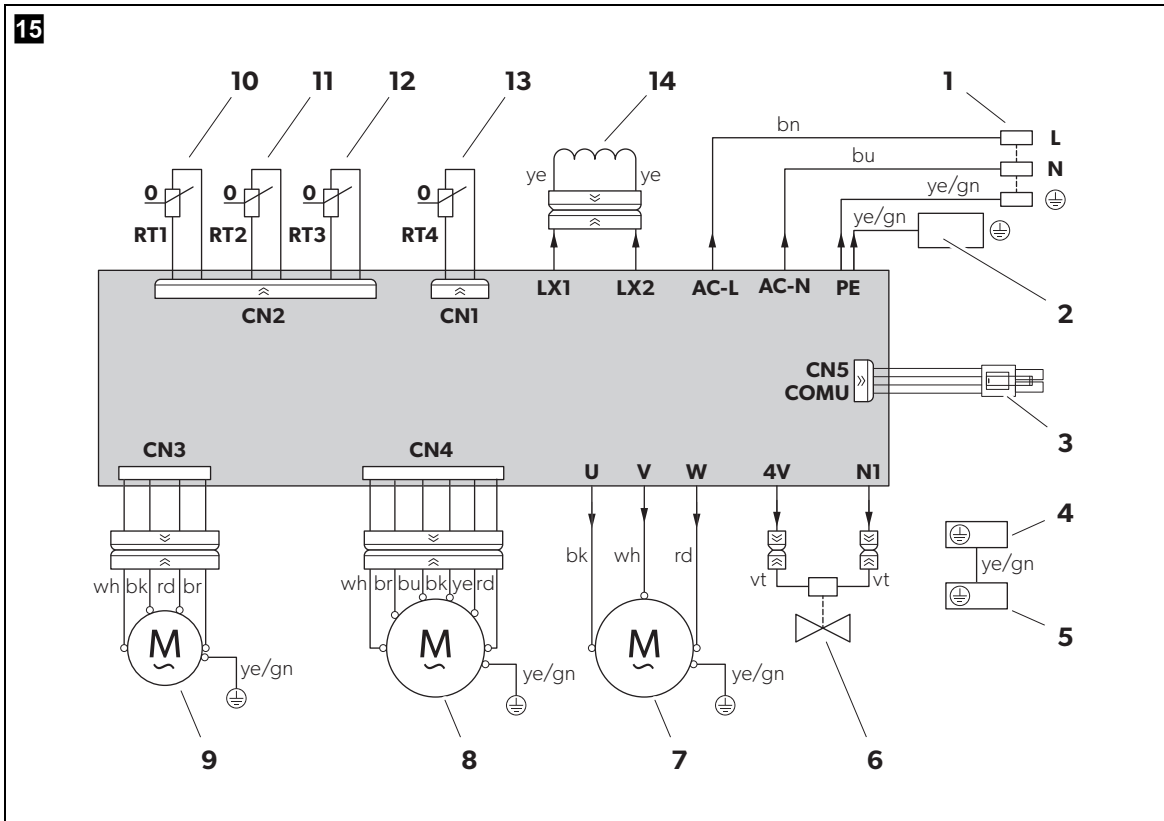
© 2020 Dometic Group. The visual appearance of the contents of this manual is protected by copyright and design law. The underlying technical design and the products contained herein may be protected by design, patent or be patent pending. The trademarks mentioned in this manual belong to Dometic Sweden AB. All rights are reserved.

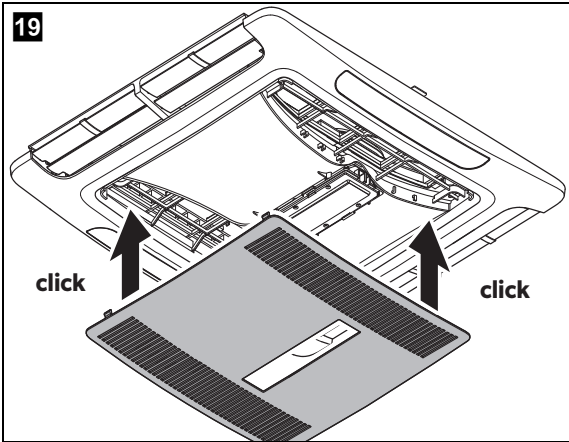
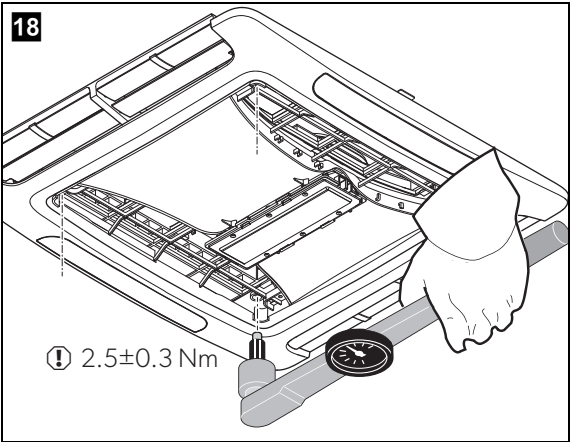
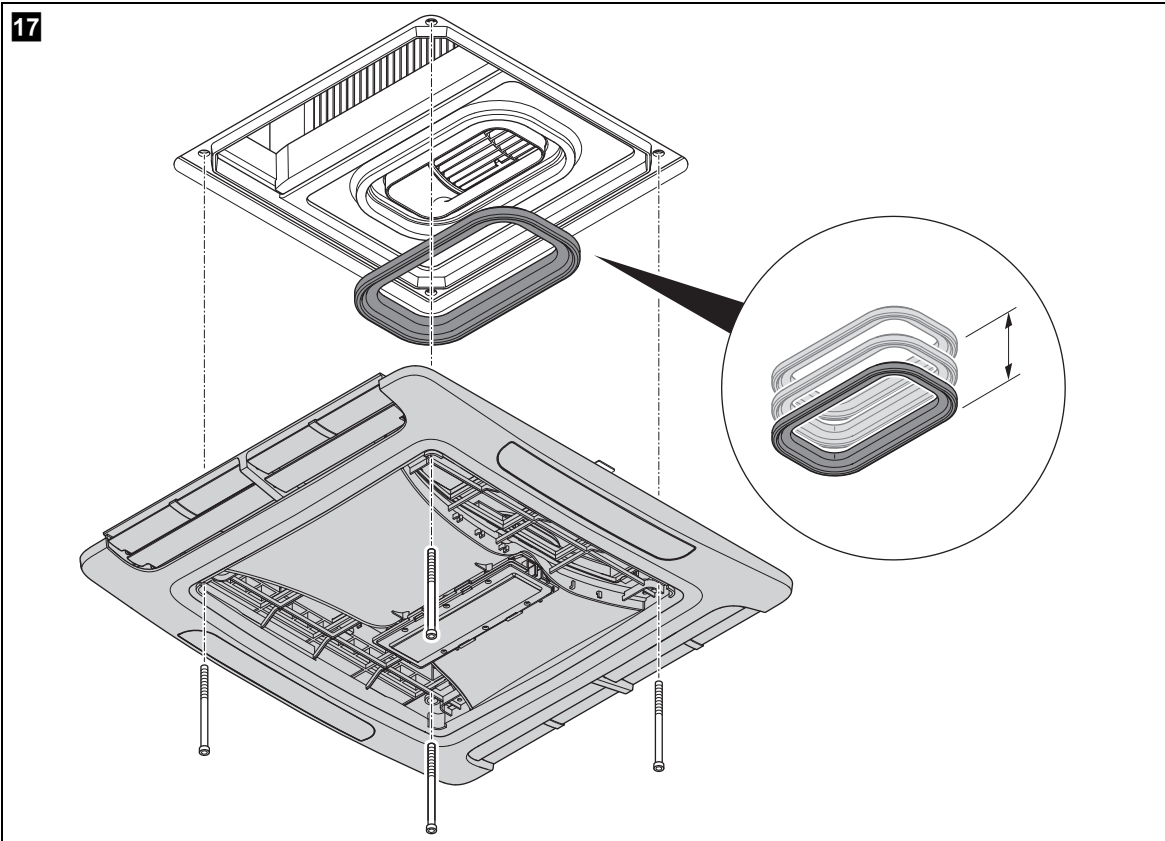














## Original instructions

**Please read this instruction manual carefully before installation and start-up, and store it in a safe place. If you pass on the device to another person, hand over this instruction manual along with it.**

## Table of contents

1	Explanation of symbols .....	9
2	Safety and installation instructions .....	10
3	Target group for this instruction manual .....	11
4	Scope of delivery .....	12
5	Accessories .....	12
6	Intended use .....	12
7	Labels .....	13
8	Installation .....	13
9	Technical data .....	20

## 1 Explanation of symbols



### DANGER!

**Safety instruction:** Indicates a hazardous situation that, if not avoided, will result in death or serious injury.



### WARNING!

**Safety instruction:** Indicates a hazardous situation that, if not avoided, could result in death or serious injury.



### CAUTION!

**Safety instruction:** Indicates a hazardous situation that, if not avoided, could result in minor or moderate injury.



### NOTICE!

Indicates a situation that, if not avoided, can result in property damage.



### NOTE

Supplementary information for operating the product.

## 2 Safety and installation instructions

**Please observe the prescribed safety instructions and stipulations from the vehicle manufacturer and service workshops.**

The manufacturer accepts no liability for damage in the following cases:

- Faulty assembly or connection
- Damage to the product resulting from mechanical influences and incorrect connection voltage
- Alterations to the product without express permission from the manufacturer
- Use for purposes other than those described in the operating manual

### 2.1 Handling the device



#### **WARNING!**

- Installation and repair of the roof air conditioner may only be carried out by qualified personnel who are familiar with the risks involved and the relevant regulations. Inadequate repairs may cause serious hazards. For repair service, please contact the service centre in your country (addresses on the back page).
- **Electrical devices are not toys.**  
Keep electrical devices out of reach of children or infirm persons. Do not allow them to use electrical devices without supervision.
- Persons whose physical, sensory or mental capabilities or whose lack of experience and knowledge prevent them from using the device safely should not use it without supervision or instruction by a responsible person.
- Do **not** undo the upper cover of the roof air conditioner in the event of a fire. Use approved extinguishing agents instead. Do not use water to extinguish fires.



#### **CAUTION!**

- The roof air conditioner must be installed securely so that it cannot fall down.
- Only operate the roof air conditioner if you are certain that the housing and the cables are not damaged.
- Do not use the roof air conditioner near flammable fluids or in closed rooms.
- Make sure no combustible objects are stored or installed near the air outlet. A distance of at least 50 cm must be kept.
- Do not reach into air outlets or insert any foreign objects in the device.



#### **NOTICE!**

- Only use the device as intended.
- The roof air conditioner is not suitable for use in agricultural or construction vehicles.

- Do not make any alterations or conversions to the device.
- Never drive through automatic car washes when the roof air conditioner is mounted.
- If faults occur in the refrigerant circuit, the system must be checked by a specialist company and repaired properly. The refrigerant must never be released into the air.

**NOTE**

- Please ask your vehicle manufacturer if a technical inspection is required after fitting an air conditioner and whether the height entered in the vehicle documents needs to be altered:
  - FreshJet 3000: increased height 240 mm

## 2.2 Handling electrical cables

**WARNING!**

- The electrical power supply may only be connected by a qualified electrician.
- The appliance shall be installed in accordance with national wiring regulations.

**CAUTION!**

- Attach and lay the cables so that they cannot be tripped over or damaged.

**NOTICE!**

- Use cable ducts to lay cables through walls with sharp edges.
- Do not lay loose or bent cables next to electrically conductive materials (metal).
- Do not pull on the cables.

## 3 Target group for this instruction manual

The instructions in this manual are intended for qualified personnel at workshops who are familiar with the guidelines and safety precautions to be applied.

## 4 Scope of delivery

No. in fig. 1, page 3	Quantity	Description
1	1	Roof air conditioner
2	1	Roof plate
3	1	Air distribution box (ADB)
4	1	ADB centre cover
5	5	Duct sections
6	3	Cable connectors
7	4	Fastening bolts
8	1	Remote control

## 5 Accessories

Available as accessories (not included in the scope of delivery):

Description	Ref. no.
Extension duct sections (each section covers additional 10 mm)	4450017931
Longer fastening bolts (for 80 – 120 mm roof thicknesses)	4450012023

## 6 Intended use

The FreshJet 3000 air conditioners are designed for installation on the roof of a caravan or recreational vehicle to provide reverse cycle heating and cooling. The device is intended for vehicles with roofs that are from 20 to 100 mm thick. The device must be installed so that it is within  $\pm 10^\circ$  of the horizontal plane. It is **not** suitable for houses and apartments.

The roof air conditioner is **not** suitable for installation in construction machines, agricultural machines or similar equipment. It will not work properly if exposed to strong vibrations.

The function of the roof air conditioner is guaranteed for temperatures between  $-2^\circ\text{C}$  and  $52^\circ\text{C}$ .



### NOTE

You can find additional information on roof air conditioners in the operating manual, such as the technical description or the controls.

## 7 Labels

Labels are attached to the roof air conditioner:

- Product label (fig. **2** 1, page 3), located on the side of the electronics box and can be seen through the side vent.
- ADB data label inside the ADB center cover (fig. **3** 1, page 3)

These labels provide the user and fitter with information on specifications of the device.

## 8 Installation



### **CAUTION! Beware of injury**

The roof air conditioner may only be installed by qualified personnel. The following information is intended for technicians who are familiar with the guidelines and safety precautions to be applied.

### 8.1 Note on installation

Read this installation manual completely before installing the roof air conditioner.

The following tips and instructions must be observed while installing the roof air conditioner:



### **DANGER! Danger of electrocution**

Disconnect all power supplies when working on the roof air conditioner.



### **CAUTION! Beware of injury**

- Improper installation of the roof air conditioner can result in irreparable damage to the device and put the safety of the user at risk.
- The manufacturer assumes no liability for malfunctions and for the safety of the roof air conditioner, especially for injury and/or damage to property, if the roof air conditioner is not fitted in accordance with these installation instructions.
- Always wear the recommended protective clothing (e.g. protective goggles, gloves).



### **NOTICE! Beware of damage**

- Observe the structural engineering of the vehicle and seal of all openings made when installing the roof air conditioner.
- Check whether the roof of the vehicle is able to support the weight of a person before climbing onto it. Ask the vehicle manufacturer about the permissible roof loads.

### 8.1.1 Note on transport

- Pay attention to the orientation of the up arrows on the carton. Do not install the unit if it has been upside down for any period of time (fig. **4 A**, page 4).
- Always have someone help you carry the roof air conditioner.
- Always lift the roof air conditioner to move it and never drag it over the roof (fig. **4 B**, page 4).
- Do not use the ventilation slots to lift it (fig. **4 C**, page 4).

### 8.1.2 Note on installation location

- Before installing the roof air conditioner, check whether any vehicle components could be damaged by the installation of the roof air conditioner (such as lamps, cupboards, doors).
- Before installation, find out (by consulting the manufacturer of the vehicle) whether the construction is designed for the static weight and the loads of the air conditioner when the vehicle is in motion. The manufacturer of the roof air conditioner assumes no liability whatsoever.
- The vehicle manufacturer may have already provided points where the opening for the installation of the roof air conditioner can be made without any risk of weakening the construction or cutting power cables.
- Select a flat and sufficiently level area at the centre of the vehicle roof between two longitudinal sections for installation.
- The roof inclination of the installation surface may not exceed 10°.
- Make sure no combustible objects are stored or installed near the air outlet. A distance of at least 50 cm should be kept.
- Make sure that there are no objects within the vehicle which could obstruct the attachment of the air outlet unit or the cooled air from flowing through the swivelling air distribution nozzles.
- For safety reasons, note the location of existing wiring harnesses, wires and other components within the installation area, in particular those which are not visible, when installing the roof air conditioner (when drilling or screwing etc.).

### 8.1.3 Note on electrical system

- Only a qualified electrician should connect the roof air conditioner to the electrical power.
- Check that the voltage specification on the type plate is the same as that of the power supply.
- Do not lay cables which are loose or bent next to electrically conductive material (metal).

- Install an all-pole switch with a contact opening width of at least 3 mm on the installation side.
- Ensure that the mains voltage supply has a residual current circuit breaker.
- Make sure that the grounding cable of the air conditioner is connected to the vehicle's grounding system.

There are two ways of installing the roof air conditioner:

- Making a new opening (chapter "Making a new opening" on page 15). In this case the opening must be reinforced by an appropriate frame.
- Using an existing opening in the vehicle such as a roof hatch or replacing an old air conditioner (chapter "Installing in an existing opening" on page 16).

## 8.2 Making a new opening

**See fig. 5, page 4**

- Select an area at the centre on the roof between two longitudinal supports.
- Mark the position and size of the opening (preferably 400 x 400 mm or optionally 360 x 360 mm).

**See fig. 6, page 4**

- Drill out the corners (**A**).
- Carefully cut out the opening on the roof using a keyhole saw or a similar tool (**B**).
- Make sure no electrical power cables are damaged.

**See fig. 7, page 5**

- Before installation, check whether the roof hole needs reinforcing.
- If needed, remove the foam according to the width of your reinforcing rails (not in scope of delivery) (**A**).
- Fit the reinforcing rails (**B**).
- If needed, fit a suitable H-frame to provide reinforcement to the roof.

### 8.3 Installing in an existing opening



#### NOTE

- Existing roof hatch openings in accordance with fig. **8**, page 5 are suitable for installing the roof air conditioner.
- Dispose of all waste material, glue, silicone and seals separately. Observe the disposal guidelines.
- The manufacturer only assumes liability for parts included in the scope of delivery. The validity of the warranty expires if the device is installed together with third-party parts.

#### See fig. **8**, page 5

- Remove all screws and fixtures of the existing roof hatch or air conditioner.
- Take out the roof hatch or air conditioner.

#### See fig. **9**, page 5

- Remove the sealant around the opening using a scraper or similar tool.

#### See fig. **10**, page 5



#### NOTICE!

Observe the sealant manufacturer's instructions.

- Seal the screw holes and recesses with a flexible non-hardening butyl sealing compound (e.g. SikaLastomer-710, Selleys Butyl Mastic, Bostik ezycaulk butyl sealant, or similar products).

### 8.4 Laying the connecting cables



#### DANGER! Danger of electrocution

Make sure there is no voltage at electrically operated components before carrying out work on them!

The roof air conditioner must be connected to an electric circuit which is able to supply the required current (see Technical data in Operating Manual).

- Select the cross-section of the cable corresponding to the length:
  - Length < 7.5 m: 1.5 mm<sup>2</sup>
  - Length > 7.5 m: 2.5 mm<sup>2</sup>

#### See fig. **11**, page 5

- Make an opening on one side in order to feed through the electrical power supply cable.
- Feed the 240 V~ cable through the opening into the vehicle interior.



## 8.5 Installing the roof air conditioner ADB



### NOTICE! Risk of damage

Observe the structural strength of the roof of the vehicle. The roof of the vehicle must be able to bear the weight of the roof air conditioner. The roof must not be indented or deformed by the weight of the unit, even over a longer period of time.

### See fig. 12, page 6

- Orientate roof frame based on opening size.
- Fit the roof frame into the roof opening
- Seal around the roof frame with flexible non-hardening butyl sealing compound (e.g. SikaLastomer-710, Selleys Butyl Mastic, Bostik ezycalk butyl sealant, or similar products).

### See fig. 13, page 6

- Lift the roof air conditioner onto the roof of the vehicle.
- Position the roof air conditioner onto the roof plate and align into the groove in the base pan.  
Observe the direction of travel.

### 8.5.1 Attaching the roof air conditioner

#### See fig. 14, page 6

- Use the corners of the front of the base pan to help align the unit with the roof plate.

### 8.5.2 Electrical connection

Item (fig. 15, page 7)	Description
1	220 – 240 V~ mains
2	Evaporator plate
3	Communication wire
4	Heatsink metal net
5	Condenser plate
6	Reversing valve
7	Inverter compressor
8	Fan evaporator

Item (fig. 15, page 7)	Description
9	Fan condenser
10	Out air sensor
11	Evaporator sensor
12	Condenser sensor
13	Discharge sensor
14	Inductor
ye	yellow
bn	brown
bu	blue
gn	green
vt	violet
rd	red
wh	white
bk	black

See fig. 16, page 7

### 8.5.3 Mains cable

- Connect the roof air conditioner with the mains voltage supply. Connect the cables (1) to a cable connector (2).

### 8.5.4 Communication cable

- Pull out the filter slightly to create a gap for the communication cable (3).
- Feed the communication cable through the gap and locate the wire in the opening.

See fig. 17, page 8

- Stack the duct sections and place against the roof thickness: the duct height should match the roof height. Or use the below table as a guide:

Roof thickness	Number of duct sections
18 – 28 mm	1
28 – 38 mm	2
38 – 48 mm	3
48 – 58 mm	4
58 – 68 mm	5

**NOTE**

Additional duct sections can be purchased for thicker roofs.

- ▶ Attach the required number of duct sections on the ADB.
- ▶ Fasten the ADB to the ceiling through to the roof air conditioner with the 4 bolts supplied.

See fig. **18**, page 8

**NOTICE! Risk of damage**

Tighten to the specified torque. Do not overtighten!

- ▶ Tighten the screws using a torque spanner and a fastening torque of 2.5 Nm  $\pm$ 0.3 Nm.

### 8.5.5 Communication cable

- ▶ Connect the communication 4 pin plug into the socket on the side of the display (**2**) in the ADB.
- ▶ Ensure the cable is located into the small opening away from the filter area.
- ▶ Secure excess cable into the holders.
- ▶ Push the filter back fully in.

See fig. **19**, page 8

- ▶ Clip the centre cover to the ADB.

The installation is now completed. Connect to the power and test.

## 9 Technical data

Contains fluorinated greenhouse gases. Hermetically sealed equipment.

	<b>FreshJet 3000</b>
Compressor cooling capacity:	3600 W
Cooling capacity based on ISO 5151:	2516 W
Heating capacity based on ISO 5151:	3107 W
Rated input voltage:	220 V~ to 240 V~ / 50 Hz
Rated current cooling:	7.5 A
Rated current heating:	6.1 A
Required fuse:	10 A
Operating temperature range:	-2 °C to +52 °C
Refrigerant:	R-410A
Refrigerant quantity:	0.650 kg
CO <sub>2</sub> equivalent:	1.357 t
Global warming potential (GWP):	2088
Protection class (outdoor unit):	IPX4
Suggested max. vehicle length (with insulated walls):	<6 m
Dimensions L x W x H (height above vehicle roof):	997 x 665 x 240 mm
Weight:	37 kg
Inspection/certification:	  

## Original-Betriebsanleitung

**Bitte lesen Sie diese Anleitung vor Montage und Inbetriebnahme sorgfältig durch und bewahren Sie sie an einem sicheren Ort auf. Geben Sie sie im Falle einer Weitergabe des Gerätes an den Nutzer weiter.**

## Inhaltsverzeichnis

1	<b>Erläuterung der Symbole</b> .....	21
2	<b>Sicherheits- und Einbauhinweise</b> .....	22
3	<b>Zielgruppe dieser Anleitung</b> .....	23
4	<b>Lieferumfang</b> .....	24
5	<b>Zubehör</b> .....	24
6	<b>Bestimmungsgemäßer Gebrauch</b> .....	24
7	<b>Kennzeichnungsschilder</b> .....	25
8	<b>Installation</b> .....	25
9	<b>Technische Daten</b> .....	32

## 1 Erläuterung der Symbole



### **GEFAHR!**

**Sicherheitshinweis** auf eine Gefahrensituation, die zum Tod oder zu schwerer Verletzung führt, wenn sie nicht vermieden wird.



### **WARNUNG!**

**Sicherheitshinweis** auf eine Gefahrensituation, die zum Tod oder zu schwerer Verletzung führen kann, wenn sie nicht vermieden wird.



### **VORSICHT!**

**Sicherheitshinweis** auf eine Gefahrensituation, die zu einer leichten oder mittelschweren Verletzung führen kann, wenn sie nicht vermieden wird.



### **ACHTUNG!**

Hinweis auf eine Situation, die zu Sachschäden führen kann, wenn sie nicht vermieden wird.



### **HINWEIS**

Ergänzende Informationen zur Bedienung des Produktes.

## 2 Sicherheits- und Einbauhinweise

### Beachten Sie die vom Fahrzeughersteller und vom Kfz-Handwerk vorgeschriebenen Sicherheitshinweise und Auflagen!

Der Hersteller übernimmt in folgenden Fällen keine Haftung für Schäden:

- Montage- oder Anschlussfehler
- Beschädigungen am Produkt durch mechanische Einflüsse und falsche Anschlussspannung
- Veränderungen am Produkt ohne ausdrückliche Genehmigung vom Hersteller
- Verwendung für andere als die in der Anleitung beschriebenen Zwecke

### 2.1 Umgang mit dem Gerät



#### WARNUNG!

- Die Montage und Reparaturen der Dachklimaanlage dürfen nur von Fachkräften durchgeführt werden, die mit den verbundenen Gefahren bzw. den einschlägigen Vorschriften vertraut sind. Durch unsachgemäße Reparaturen können erhebliche Gefahren entstehen. Wenden Sie sich im Reparaturfall an den Service-Stützpunkt in Ihrem Land (Adressen auf der Rückseite).
- **Elektrogeräte sind kein Kinderspielzeug!**  
Halten Sie Kinder und gebrechliche Personen von Elektrogeräten fern. Lassen Sie diese nicht ohne Aufsicht elektrische Geräte benutzen.
- Personen, die aufgrund ihrer physischen, sensorischen oder geistigen Fähigkeiten oder ihrer Unerfahrenheit oder Unkenntnis nicht in der Lage sind, das Gerät sicher zu benutzen, sollten dieses Gerät nicht ohne Aufsicht oder Unterweisung durch eine verantwortliche Person nutzen.
- Im Falle von Feuer lösen Sie **nicht** den oberen Deckel der Dachklimaanlage. Verwenden Sie stattdessen zugelassene Löschmittel. Verwenden Sie kein Wasser zum Löschen.



#### VORSICHT!

- Die Dachklimaanlage muss so sicher installiert werden, dass diese nicht herabfallen kann.
- Betreiben Sie die Dachklimaanlage nur, wenn das Gehäuse und die Leitungen unbeschädigt sind!
- Setzen Sie die Dachklimaanlage nicht in der Nähe von entflammaren Flüssigkeiten oder in geschlossenen Räumen ein.
- Achten Sie darauf, dass brennbare Gegenstände nicht im Bereich des Luftaustritts gelagert oder montiert sind. Der Abstand muss mindestens 50 cm betragen.
- Greifen Sie nicht in Lüftungsauslässe und führen Sie keine Fremdgegenstände in die Anlage ein.

**ACHTUNG!**

- Verwenden Sie das Gerät nur für den bestimmungsgemäßen Gebrauch.
- Die Dachklimaanlage ist nicht für den Betrieb in Land- und Baumaschinen geeignet.
- Führen Sie keine Änderungen oder Umbauten am Gerät durch!
- Bei angebauter Dachklimaanlage dürfen Sie auf keinen Fall mit Ihrem Fahrzeug in die Waschanlage fahren.
- Treten Fehler im Kältemittelkreislauf auf, so muss die Anlage von einem Fachbetrieb geprüft und ordnungsgemäß instand gesetzt werden. Auf keinen Fall darf das Kältemittel in die freie Atmosphäre abgelassen werden.

**HINWEIS**

- Bitte informieren Sie sich bei Ihrem Fahrzeughersteller, ob aufgrund des Aufbaus der Dachklimaanlage eine Abnahme (nach § 19 StVZO) und eine Änderung des Eintrags der Fahrzeughöhe in den Fahrzeugpapieren notwendig sind:
  - FreshJet 3000: Aufbauhöhe 240 mm

## 2.2 Umgang mit elektrischen Leitungen

**WARNUNG!**

- Der elektrische Anschluss darf nur durch eine qualifizierte Elektrofachkraft durchgeführt werden.
- Der Einbau des Geräts muss in Übereinstimmung mit nationalen Bestimmungen erfolgen.

**VORSICHT!**

- Verlegen und befestigen Sie die Leitungen so, dass keine Stolpergefahr besteht und eine Beschädigung des Kabels ausgeschlossen ist.

**ACHTUNG!**

- Müssen Leitungen durch scharfkantige Wände geführt werden, so verwenden Sie Leerrohre bzw. Leitungsdurchführungen.
- Verlegen Sie keine losen oder scharf abgeknickten Leitungen an elektrisch leitenden Materialien (Metall).
- Ziehen Sie nicht an den Leitungen.

## 3 Zielgruppe dieser Anleitung

Diese Anleitung richtet sich an Fachpersonal in Werkstätten, das mit den anzuwendenden Richtlinien und Sicherheitsvorkehrungen vertraut ist.

## 4 Lieferumfang

Pos. in Abb. <b>1</b> , Seite 3	Anzahl	Bezeichnung
1	1	Dachklimaanlage
2	1	Dachplatte
3	1	Luftverteilerkasten (ADB)
4	1	Mittlere Abdeckung Luftverteilerkasten
5	5	Kanalabschnitte
6	3	Kabelverbinder
7	4	Befestigungsschrauben
8	1	Fernbedienung

## 5 Zubehör

Als Zubehör erhältlich (nicht im Lieferumfang enthalten):

Bezeichnung	Art.-Nr.
Kanalverlängerungsabschnitte (durch jeden Abschnitt werden 10 mm hinzugefügt)	4450017931
Längere Befestigungsschrauben (für Dachstärken von 80 – 120 mm)	4450012023

## 6 Bestimmungsgemäßer Gebrauch

Die FreshJet 3000 Klimaanlagen sind für den Einbau am Dach eines Wohnwagens oder Freizeitfahrzeugs für eine Wärmepumpenheizung und -kühlung ausgelegt. Die Anlage ist für den Einsatz in Fahrzeugen mit Dachstärken von 20 bis 100 mm gedacht. Die Anlage muss mit einer maximalen Abweichung von  $\pm 10^\circ$  von der horizontalen Ebene eingebaut werden. Sie ist **nicht** geeignet für Häuser oder Wohnungen.

Die Dachklimaanlage ist **nicht** für die Installation in Baumaschinen, Landmaschinen oder ähnlichen Arbeitsgeräten geeignet. Bei zu starker Vibrationseinwirkung ist eine ordnungsgemäße Funktion nicht gewährleistet.

Die Funktion der Dachklimaanlage ist garantiert für Temperaturen zwischen  $-2^\circ\text{C}$  und  $52^\circ\text{C}$ .



### HINWEIS

Weitere Informationen zu Dachklimaanlagen wie die technische Beschreibung oder Bedienung finden Sie in der Bedienungsanleitung.



## 7 Kennzeichnungsschilder

An der Dachklimaanlage sind Kennzeichnungsschilder angebracht:

- Typenschild (Abb. **2** 1, Seite 3), angeordnet an der Seite der Elektronikbox und sichtbar durch die Seitenlüftungsschlitze.
- Typenschild des Luftverteilerkastens in der mittleren Abdeckung des Luftverteilerkastens (Abb. **3** 1, Seite 3)

Diese Kennzeichnungsschilder informieren den Anwender und den Installateur über Gerätespezifikationen.

## 8 Installation



### **VORSICHT! Verletzungsgefahr!**

Die Installation der Dachklimaanlage darf ausschließlich von entsprechend ausgebildeten Fachkräften durchgeführt werden. Die nachfolgenden Informationen richten sich an Fachpersonal, das mit den anzuwendenden Richtlinien und Sicherheitsvorkehrungen vertraut ist.

### 8.1 Hinweis zur Installation

Vor der Montage der Dachklimaanlage muss diese Montageanleitung vollständig gelesen werden.

Folgende Tipps und Hinweise müssen bei der Montage der Dachklimaanlage beachtet werden:



### **GEFAHR! Lebensgefahr durch Stromschlag!**

Unterbrechen Sie bei Arbeiten an der Dachklimaanlage alle Stromversorgungen!



### **VORSICHT! Verletzungsgefahr!**

- Eine falsche Installation der Dachklimaanlage kann zu irreparablen Schäden am Gerät führen und die Sicherheit des Benutzers beeinträchtigen.
- Wenn die Dachklimaanlage nicht gemäß dieser Montageanleitung installiert wird, übernimmt der Hersteller keinerlei Haftung, weder für Betriebsstörungen noch für die Sicherheit der Dachklimaanlage, insbesondere nicht für Personen- und/oder Sachschäden.
- Tragen Sie bei allen Arbeiten die vorgeschriebene Schutzbekleidung (z. B. Schutzbrille, Schutzhandschuhe).

**ACHTUNG! Beschädigungsgefahr!**

- Beachten Sie beim Einbau der Dachklimaanlage stets die Statik des Fahrzeugs und die Abdichtung aller beim Einbau entstandenen Öffnungen.
- Bevor Sie das Fahrzeugdach besteigen, prüfen Sie, ob dieses für Personen begehbar ist. Zulässige Dachlasten können Sie beim Fahrzeughersteller erfragen.

**8.1.1 Hinweise zum Transport**

- Richten Sie den Karton entsprechend den Pfeilen aus. Bauen Sie das Gerät nicht ein, wenn es einmal verkehrt herum transportiert oder gelagert wurde (Abb. **4 A**, Seite 4).
- Tragen Sie die Dachklimaanlage immer zu zweit.
- Heben Sie die Dachklimaanlage zum Bewegen immer an, ziehen Sie sie nicht über das Dach (Abb. **4 B**, Seite 4).
- Verwenden Sie zum Anheben nicht die Lüftungsschlitze (Abb. **4 C**, Seite 4).

**8.1.2 Hinweis zum Montageort**

- Prüfen Sie vor Montage der Dachklimaanlage, ob durch den Einbau der Dachklimaanlage ggf. Fahrzeugkomponenten beschädigt werden könnten (z. B. Lampen, Schränke, Türen).
- Vor Einbau müssen Sie – über den Fahrzeughersteller – klären, ob der Aufbau für das statische Gewicht und die Belastungen durch die Klimaanlage bei in Bewegung befindlichem Fahrzeug ausgelegt ist. Der Hersteller der Dachklimaanlage übernimmt keinerlei Haftung.
- Der Fahrzeughersteller hat eventuell bereits Stellen vorgesehen, an denen die Öffnung zur Installation der Dachklimaanlage ohne Gefahr der Schwächung des Aufbaus bzw. des Durchtrennens von Stromkabeln eingebracht werden kann.
- Wählen Sie als Montageort eine flache und ausreichend ebene Zone in der Mitte zwischen zwei Längsprofilen des Fahrzeugdaches.
- Die Dachneigung der Montagefläche darf nicht mehr als 10° betragen.
- Achten Sie darauf, dass brennbare Gegenstände nicht im Bereich des Luftaustritts gelagert oder montiert sind. Der Abstand sollte mindestens 50 cm betragen.
- Stellen Sie sicher, dass im Fahrzeuginneren kein Hindernis für die Befestigung der Luftauslasseneinheit und das Austreten der gekühlten Luft über die schwenkbaren Luftverteilerdüsen vorliegt.
- Achten Sie aus Sicherheitsgründen beim Einbau der Dachklimaanlage (beim Bohren und Schrauben usw.) auf den Verlauf von vorhandenen, insbesondere nicht sichtbaren Kabelsträngen, Leitungen und anderen Komponenten, die sich im Montagebereich befinden!

### 8.1.3 Hinweise zur Elektrik

- Lassen Sie die Dachklimaanlage nur von einer Elektrofachkraft elektrisch anschließen.
- Vergleichen Sie die Spannungsangabe auf dem Typenschild mit der vorhandenen Energieversorgung.
- Verlegen Sie Leitungen nicht lose oder abgeknickt an elektrisch leitenden Materialien (Metall).
- Bauen Sie auf der Montageseite einen allpoliger Schalter mit mind. 3 mm Kontaktöffnungsweite ein.
- Sorgen Sie bei Netzbetrieb dafür, dass die Spannungsversorgung über einen FI-Schalter abgesichert ist.
- Stellen Sie sicher, dass das Massekabel der Klimaanlage mit einem Massestützpunkt des Fahrzeugs verbunden ist.

Für den Einbau der Dachklimaanlage können Sie zwei verschiedene Lösungen wählen:

- Herstellen einer neuen Öffnung (Kapitel „Neue Öffnung herstellen“ auf Seite 27). In diesem Fall muss in die neue Öffnung ein geeigneter Rahmen zur Verstärkung eingebracht werden.
- Nutzen einer vorhandenen Öffnung in dem Fahrzeug, wie beispielsweise einer Dachluke, oder bei Ersetzen einer alten Klimaanlage (Kapitel „Einbau in eine vorhandene Öffnung“ auf Seite 28).

## 8.2 Neue Öffnung herstellen

**Siehe Abb. 5, Seite 4**

- Wählen Sie auf dem Dach eine Zone in der Mitte zwischen zwei Längsprofilen.
- Markieren Sie die Position und Größe der Öffnung (vorzugsweise 400 x 400 mm oder alternativ 360 x 360 mm).

**Siehe Abb. 6, Seite 4**

- Bohren Sie die Ecken aus **(A)**.
- Schneiden Sie die Öffnung auf dem Dach sorgfältig mit einer Stichsäge o. Ä. aus **(B)**.
- Achten Sie dabei darauf, dass keine elektrischen Kabel beschädigt werden.

**Siehe Abb. 7, Seite 5**

- Klären Sie vor dem Einbau, ob der Dachausschnitt verstärkt werden muss.
- Entfernen Sie bei Bedarf die Ausschäumung entsprechend der Breite Ihrer Verstärkungsleisten (nicht im Lieferumfang) **(A)**.
- Passen Sie die Verstärkungsleisten ein **(B)**.
- Verstärken Sie bei Bedarf das Dach mit einem geeigneten H-Rahmen.

### 8.3 Einbau in eine vorhandene Öffnung

**HINWEIS**

- Der Einbau der Dachklimaanlage kann in vorhandenen Dachlukenöffnungen mit den Abmessungen gemäß Abb. 8, Seite 5 vorgenommen werden.
- Entsorgen Sie sämtliches Abfallmaterial, Leim, Silikon und Dichtungen getrennt. Beachten Sie dabei die Entsorgungsrichtlinien.
- Der Hersteller übernimmt ausschließlich Haftung für im Lieferumfang enthaltene Teile. Beim Einbau der Anlage zusammen mit produktfremden Teilen entfällt die Gewährleistung.

**Siehe Abb. 8, Seite 5**

- Entfernen Sie alle Schrauben und Befestigungen der vorhandenen Dachluke oder Klimaanlage.
- Nehmen Sie die Dachluke bzw. Klimaanlage heraus.

**Siehe Abb. 9, Seite 5**

- Entfernen Sie das Dichtungsmaterial rund um die Öffnung mit einem Schaber o. Ä.

**Siehe Abb. 10, Seite 5****ACHTUNG!**

Beachten Sie die Hinweise des Dichtmittel-Herstellers.

- Dichten Sie die Schraubenlöcher und Aussparungen mit einem plastischen, nicht aushärtenden Butyldichtstoff ab (z. B. SikaLastomer-710, Selleys Butyl Mastic, Bostik Ezycaulk-Butyldichtstoff o. Ä.).

## 8.4 Anschlussleitungen verlegen



### **GEFAHR! Lebensgefahr durch Stromschlag!**

Vor Arbeiten an elektrisch betriebenen Komponenten ist sicherzustellen, dass keine Spannung mehr anliegt!

Die Dachklimaanlage muss an einen Stromkreis angeschlossen werden, der in der Lage ist, den erforderlichen Strom zu liefern (Siehe „Technische Daten“ in der Bedienungsanleitung).

- Wählen Sie den Leitungsquerschnitt entsprechend der Leitungslänge:
  - Kabellänge < 7,5 m: 1,5 mm<sup>2</sup>
  - Kabellänge > 7,5 m: 2,5 mm<sup>2</sup>

**Siehe Abb. 11, Seite 5**

- Bringen Sie an einer Seite eine Öffnung für das Durchführen des elektrischen Versorgungskabels an.
- Verlegen Sie die 240 V~ -Leitung durch die Öffnung ins Fahrzeuginnere.

## 8.5 Montage des Luftverteilerkastens der Dachklimaanlage



### **ACHTUNG! Beschädigungsgefahr**

Beachten Sie die Statik des Fahrzeugdachs. Das Fahrzeugdach muss das Gewicht der Dachklimaanlage tragen können. Das Dach darf durch das Gewicht der Anlage auch langfristig nicht eingedrückt werden oder seine Form verändern.

**Siehe Abb. 12, Seite 6**

- Richten Sie den Dachrahmen anhand der Größe der Öffnung aus.
- Setzen Sie den Dachrahmen in die Dachöffnung ein.
- Dichten Sie den Rand des Dachrahmens mit einem plastischen, nicht aushärtenden Butyldichtstoff ab (z. B. SikaLastomer-710, Selleys Butyl Mastic, Bostik Ezycalk-Butyldichtstoff o. Ä.).

**Siehe Abb. 13, Seite 6**

- Heben Sie die Dachklimaanlage auf das Fahrzeugdach.
- Positionieren Sie die Dachklimaanlage auf der Dachplatte und richten Sie sie in der Nut in der Basiswanne aus.  
Beachten Sie die Fahrtrichtung.

### 8.5.1 Dachklimaanlage befestigen

Siehe Abb. 14, Seite 6

- Richten Sie die Anlage mithilfe der vorderen Ecken der Basiswanne mit der Dachplatte aus.

### 8.5.2 Elektrische Anschlüsse

Position (Abb. 15, Seite 7)	Bezeichnung
1	220 – 240 V~ Netzanschluss
2	Verdampferplatte
3	Verbindungsleitung
4	Metallgitter des Kühlkörpers
5	Kondensatorplatte
6	Umkehrventil
7	Wechselrichter des Kompressors
8	Verdampferlüfter
9	Kondensatorlüfter
10	Ausgang Luftfühler
11	Verdampferfühler
12	Kondensatorfühler
13	Abluftfühler
14	Spule
ye	Gelb
bn	Braun
bu	Blau
gn	Grün
vt	Violett
rd	Rot
we	Weiß
bk	Schwarz

**Siehe Abb. 16, Seite 7**

### 8.5.3 Netzanschlusskabel

- Schließen Sie die Dachklimaanlage an die Netzspannungsversorgung an. Schließen Sie die zugehörigen Leitungen (1) an jeweils einen Kabelverbinder (2) an.

### 8.5.4 Verbindungskabel

- Ziehen Sie den Filter leicht heraus, um einen Spalt für das Verbindungskabel (3) zu schaffen.
- Führen Sie das Verbindungskabel durch den Spalt und platzieren Sie die Leitung in der Öffnung.

**Siehe Abb. 17, Seite 8**

- Stapeln Sie die Kanalabschnitte und setzen Sie sie entsprechend der Dachstärke ein. Dabei sollte die Kanalhöhe der Dachhöhe entsprechen. Verwenden Sie alternativ die nachstehende Tabelle als Richtlinie:

Dachstärke	Anzahl von Kanalabschnitten
18 – 28 mm	1
28 – 38 mm	2
38 – 48 mm	3
48 – 58 mm	4
58 – 68 mm	5



#### HINWEIS

Bei größerer Dachstärke können zusätzliche Kanalabschnitte erworben werden.

- Bringen Sie die erforderliche Anzahl von Kanalabschnitten an dem Luftverteilerkasten an.
- Befestigen Sie den Luftverteilerkasten an der Decke, indem Sie die 4 im Lieferumfang enthaltenen Schrauben durch die Dachklimaanlage führen.

**Siehe Abb. 18, Seite 8**



#### ACHTUNG! Beschädigungsgefahr

Halten Sie das angegebene Anzugsmoment ein! Ziehen Sie die Schrauben nicht zu fest an!

- Ziehen Sie die Schrauben mit einem Drehmomentschlüssel und einem Anzugsmoment von 2,5 Nm ±0,3 Nm an.

### 8.5.5 Verbindungskabel

- Schließen Sie den 4-poligen Verbindungsstecker an der Buchse an der Seite des Displays (2) am Luftverteilerkasten an.
- Stellen Sie sicher, dass sich das Kabel in der kleinen Öffnung, weg von dem Filterbereich befindet.
- Befestigen Sie überhängende Kabelabschnitte in den Halterungen.
- Drücken Sie den Filter wieder vollständig in die Halterung.

#### Siehe Abb. 19, Seite 8

- Rasten Sie die mittlere Abdeckung am Luftverteilerkasten ein.

Der Einbau ist nun abgeschlossen. Schließen Sie die Anlage an die Stromversorgung an und prüfen Sie sie.

## 9 Technische Daten

Enthält fluoridierte Treibhausgase. Hermetisch geschlossene Vorrichtung.

	<b>FreshJet3000</b>
Kühlleistung des Kompressors:	3600 W
Kühlleistung in Anlehnung an ISO 5151:	2516 W
Heizleistung in Anlehnung an ISO 5151:	3107 W
Eingangsnennspannung:	220 V~ bis 240 V~/50 Hz
Nennstrom Kühlung:	7,5 A
Nennstrom Heizung:	6,1 A
Benötigte Sicherung:	10 A
Betriebstemperaturbereich:	-2 °C bis +52 °C
Kältemittel:	R-410A
Kältemittelmenge:	0,650 kg
CO <sub>2</sub> -Äquivalent:	1,357 t
Treibhauspotential (GWP):	2088
Schutzart (Einheit im Außenbereich):	IPX4
Empfohlene max. Fahrzeuglänge (mit isolierten Wänden):	<6 m
Abmessungen L x B x H (Höhe über Fahrzeugdach):	997 x 665 x 240 mm
Gewicht:	37 kg
Prüfung/Zertifikat:	  



## Notice originale

**Veillez lire ce manuel avec attention avant le montage et la mise en service, puis le conserver. En cas de revente de l'appareil, veuillez le transmettre au nouvel acquéreur.**

## Sommaire

1	<b>Signification des symboles</b> .....	<b>33</b>
2	<b>Consignes de sécurité et instructions de montage</b> .....	<b>34</b>
3	<b>Groupe cible de ce manuel</b> .....	<b>36</b>
4	<b>Contenu de la livraison</b> .....	<b>36</b>
5	<b>Accessoires</b> .....	<b>36</b>
6	<b>Usage conforme</b> .....	<b>36</b>
7	<b>Plaquettes de spécifications</b> .....	<b>37</b>
8	<b>Montage</b> .....	<b>37</b>
9	<b>Caractéristiques techniques</b> .....	<b>44</b>

## 1 Signification des symboles



### **DANGER !**

**Consigne de sécurité** signalant une situation dangereuse qui entraîne la mort ou de graves blessures si elle n'est pas évitée.



### **AVERTISSEMENT !**

**Consigne de sécurité** signalant une situation dangereuse qui peut entraîner la mort ou de graves blessures si elle n'est pas évitée.



### **ATTENTION !**

**Consigne de sécurité** signalant une situation dangereuse qui peut entraîner des blessures de gravité moyenne ou légère si elle n'est pas évitée.



### **AVIS !**

Remarque signalant une situation qui peut entraîner des dommages matériels si elle n'est pas évitée.



### **REMARQUE**

Informations complémentaires sur l'utilisation du produit.

## 2 Consignes de sécurité et instructions de montage

**Respectez les consignes de sécurité et autres prescriptions imposées par le constructeur du véhicule et par les professionnels de l'automobile.**

Le fabricant décline toute responsabilité pour des dommages dans les cas suivants :

- des défauts de montage ou de raccordement
- des sollicitations mécaniques et une tension de raccordement incorrecte ayant endommagé le matériel
- des modifications apportées au produit sans autorisation explicite de la part du fabricant
- une utilisation différente de celle décrite dans la notice

### 2.1 Précautions d'usage



#### AVERTISSEMENT !

- Le montage et les réparations du climatiseur de toit doivent être effectués par un personnel qualifié et parfaitement informé des dangers et règlements spécifiques à ces manipulations. Toute réparation mal effectuée risquerait d'entraîner de graves dangers. Si des réparations sont nécessaires, adressez-vous au service après-vente dans votre pays (adresses au dos de la notice).
- **Les appareils électriques ne sont pas des jouets pour enfants.** Maintenez les appareils électriques hors de portée des enfants et des personnes infirmes. Ne laissez pas les enfants utiliser des appareils électriques sans surveillance.
- Les personnes qui ne sont pas en mesure d'utiliser l'appareil en toute sécurité — que ce soit en raison de déficiences physiques, sensorielles ou mentales ou bien par manque d'expérience ou de connaissances — ne sont pas autorisées à le faire, sauf si une personne garante de leur sécurité les surveille ou leur fournit des explications sur son utilisation.
- En cas d'incendie, n'ouvrez **pas** le cache supérieur du climatiseur de toit et utilisez un agent d'extinction agréé. N'essayez pas d'éteindre l'incendie avec de l'eau.



#### ATTENTION !

- Le climatiseur de toit doit être monté de manière à ce qu'il ne puisse pas tomber.
- Ne faites fonctionner le climatiseur de toit que si le boîtier et les câbles sont intacts.
- N'utilisez pas le climatiseur de toit à proximité de liquides inflammables ou dans des pièces fermées.

- Veillez à ce qu'aucun objet inflammable ne soit entreposé ni monté dans la zone de sortie de l'air. Il convient de maintenir une distance de 50 cm minimum.
- Ne glissez pas les doigts dans les sorties d'air et n'introduisez aucun objet à l'intérieur de l'appareil.

**AVIS !**

- Utilisez l'appareil conformément à l'usage pour lequel il a été conçu.
- Le climatiseur de toit n'est pas conçu pour être utilisé dans des machines agricoles ou de construction.
- Ne procédez à aucune modification ni transformation de l'appareil.
- Si votre véhicule est équipé d'un climatiseur de toit, ne le lavez jamais dans une station de lavage automatique.
- Si des défauts apparaissent dans le circuit frigorifique, ce dernier doit être contrôlé et remis en état par une entreprise spécialisée. Tout rejet de fluide frigorigène dans l'atmosphère est formellement interdit.

**REMARQUE**

- Veuillez vous informer auprès du constructeur du véhicule pour savoir si le changement de hauteur du véhicule dû à l'installation d'un climatiseur de toit doit être agréé et consigné dans les papiers du véhicule :
  - FreshJet 3000 : hauteur rapportée 240 mm

## 2.2 Précautions concernant les câbles électriques

**AVERTISSEMENT !**

- Le raccordement électrique doit être effectué uniquement par un électricien qualifié.
- L'appareil doit être installé conformément aux réglementations nationales en matière de câblage.

**ATTENTION !**

- Fixez et posez les câbles de manière à exclure tout risque de trébuchement ou d'endommagement du câble.

**AVIS !**

- Si des câbles doivent traverser des murs à arêtes vives, utilisez des conduits pour câbles.
- Ne faites passer aucun câble non fixé ou fortement coudé sur des matériaux conducteurs (métal).
- Ne tirez pas sur les câbles.

### 3 Groupe cible de ce manuel

Les instructions contenues dans ce manuel sont destinées à un personnel d'atelier qualifié, familiarisé avec les directives et consignes de sécurité à observer.

### 4 Contenu de la livraison

Pos. dans fig. 1, page 3	Quantité	Description
1	1	Climatiseur de toit
2	1	Plaque de toit
3	1	Boîte de distribution d'air (ADB)
4	1	Cache centrale de l'ADB
5	5	Sections de gaine
6	3	Raccords de câbles
7	4	Vis de fixation
8	1	Télécommande

### 5 Accessoires

Disponibles comme accessoires (non compris dans la livraison) :

Description	N° d'article
Sections de gaine d'extension (chaque section couvre 10 mm supplémentaires)	4450017931
Vis de fixation plus longs (pour toits de 80 à 120 mm d'épaisseur)	4450012023

### 6 Usage conforme

Les climatiseurs FreshJet 3000 sont conçus pour être montés sur le toit d'une caravane ou d'un véhicule de loisirs afin de fournir un chauffage et un refroidissement à cycle inversé. L'appareil est destiné aux véhicules avec un toit de 20 à 100 mm d'épaisseur. L'appareil doit être monté de manière à se trouver à  $\pm 10^\circ$  du plan horizontal. Il ne convient **pas** aux maisons ou appartements.

Le climatiseur de toit **ne convient pas** aux engins de construction, aux machines agricoles ou autres engins de travail similaires. Son bon fonctionnement n'est pas garanti en cas de vibrations excessives.

Le fonctionnement du climatiseur de toit est garanti pour des températures comprises entre  $-2^\circ\text{C}$  et  $52^\circ\text{C}$ .

**REMARQUE**

Vous trouverez dans le manuel d'utilisation d'autres informations concernant le climatiseur, par exemple la description technique ou les réglages.

## 7 Plaquettes de spécifications

Des plaquettes de spécifications sont apposées sur le climatiseur de toit :

- L'étiquette du produit (fig. **2** 1, page 3), située sur le côté du boîtier électronique, est visible à travers l'ouverture latérale.
- Étiquette de données ADB à l'intérieur du cache central de l'ADB (fig. **3** 1, page 3)

Elles informent l'installateur et l'utilisateur sur les spécifications de l'appareil.

## 8 Montage

**ATTENTION ! Risque de blessures**

Seul du personnel qualifié est habilité à effectuer le montage du climatiseur de toit. Les informations suivantes sont destinées à un personnel qualifié, informé des directives et des consignes de sécurité à appliquer.

### 8.1 Consignes relatives au montage

Les instructions de montage doivent être lues dans leur intégralité avant le montage du climatiseur.

Lors du montage du climatiseur, les consignes et conseils suivants doivent être respectés :

**DANGER ! Danger de mort par électrocution**

Coupez toutes les sources d'alimentation électrique pendant les travaux sur le climatiseur de toit.

**ATTENTION ! Risque de blessures**

- Un montage non conforme du climatiseur de toit peut endommager l'appareil de manière irréversible et compromettre la sécurité de l'utilisateur.
- Si le climatiseur n'est pas installé conformément aux instructions de montage décrites dans ce manuel, le fabricant décline toute responsabilité en cas de dysfonctionnements, de problèmes de sécurité liés au climatiseur et en particulier d'accidents matériels ou de personnes.
- Vous devez toujours porter les vêtements de protection obligatoires (p. ex. lunettes de protection, gants de protection).

**AVIS ! Attention aux dommages**

- Lors du montage du climatiseur, vérifiez en permanence la stabilité statique du véhicule et l'étanchéité des ouvertures percées pendant le montage.
- Avant de monter sur le toit du véhicule, assurez-vous que celui-ci est praticable pour les personnes. Le constructeur du véhicule pourra vous renseigner sur les charges de toit autorisées.

**8.1.1 Consignes relatives au transport**

- Faites attention à l'orientation des flèches vers le haut sur le carton. N'installez pas l'appareil s'il est resté à l'envers pendant un certain temps (fig. **4 A**, page 4).
- Portez toujours le climatiseur de toit à deux.
- Soulevez toujours le climatiseur de toit pour le déplacer, ne le faites pas glisser sur le toit (fig. **4 B**, page 4).
- Pour le soulever, n'utilisez pas les fentes d'aération (fig. **4 C**, page 4).

**8.1.2 Consignes relatives au lieu de montage**

- Avant le montage, vérifiez si des éléments du véhicule (p. ex. éclairages, armoires, portes, etc.) ne risquent pas d'être endommagés par le montage du climatiseur.
- Avant le montage, assurez-vous auprès du constructeur du véhicule que la structure de celui-ci est conçue pour le poids statique du climatiseur de toit et les contraintes créées sur le véhicule en mouvement par le climatiseur. Le fabricant du climatiseur de toit décline toute responsabilité.
- Le constructeur du véhicule peut avoir déjà prévu des points où l'ouverture pour le montage du climatiseur de toit peut être faite sans risque d'affaiblir la structure ou de sectionner des câbles d'alimentation.
- Choisissez comme emplacement de montage une zone plane et suffisamment lisse située au milieu du toit, entre deux profils longitudinaux.
- L'inclinaison du toit de la surface de montage ne doit pas dépasser 10°.
- Veillez à ce qu'aucun objet inflammable ne soit entreposé ni monté dans la zone de sortie de l'air. Il convient de maintenir une distance de 50 cm minimum.
- Assurez-vous qu'à l'intérieur du véhicule aucun obstacle ne puisse gêner la fixation de l'unité de sortie d'air ni la sortie de l'air frais par les buses orientables.
- Pour des raisons de sécurité, faites attention lors du montage du climatiseur (opérations de perçage, de vissage, etc.) à la position des faisceaux de câbles, conduites et autres éléments, éventuellement encastrés et invisibles, qui se trouvent dans la zone de montage.

### 8.1.3 Consignes de sécurité concernant les circuits électriques

- Faites effectuer le raccordement électrique du climatiseur de toit par un électricien qualifié.
- Vérifiez que la tension indiquée sur la plaque signalétique correspond à l'alimentation électrique dont vous disposez.
- Ne faites passer aucun câble non fixé ou fortement coudé sur des matériaux conducteurs (métal).
- Installez un interrupteur omnipolaire d'une largeur d'ouverture de contact d'au moins 3 mm du côté du montage.
- Veillez à ce que l'alimentation électrique soit équipée d'un disjoncteur différentiel.
- Assurez-vous que le câble de mise à la terre du climatiseur est relié au système de mise à la terre du véhicule.

Il y a deux façons de monter le climatiseur de toit :

- Percer une nouvelle ouverture (chapitre « Percement d'une nouvelle ouverture », page 39). Dans ce cas, l'ouverture doit être renforcée par un cadre approprié.
- Utiliser une ouverture existante dans le véhicule, telle qu'une trappe de toit ou remplacer un vieux climatiseur (chapitre « Montage dans une ouverture existante », page 40).

## 8.2 Percement d'une nouvelle ouverture

**Voir fig. 5, page 4**

- Choisissez une zone du toit située au centre, entre deux profils longitudinaux.
- Marquez la position et la taille de l'ouverture (de préférence 400 x 400 mm ou éventuellement 360 x 360 mm).

**Voir fig. 6, page 4**

- Percez les angles (A).
- Découpez soigneusement l'ouverture sur le toit avec une scie sauteuse ou un outil similaire (B).
- Veillez à ne pas endommager de câbles électriques pendant cette opération.

**Voir fig. 7, page 5**

- Avant le montage, vérifiez si la découpe de toit doit être renforcée ou non.
- Si nécessaire, retirez la mousse en fonction de la largeur de vos barres de renforcement (non comprises dans la livraison) (A).

- Insérez les barres de renforcement (B).
- Si nécessaire, installez un cadre en H approprié pour renforcer le toit.

### 8.3 Montage dans une ouverture existante



#### REMARQUE

- Des ouvertures de toit existantes conformes à la fig. 8, page 5 peuvent être utilisées pour monter le climatiseur de toit.
- Éliminez séparément les déchets, la colle, le silicone et les joints. Respectez les directives concernant le retraitement des déchets.
- La garantie du fabricant s'applique uniquement aux éléments fournis à la livraison. La garantie devient caduque si l'appareil est monté avec des éléments étrangers au produit.

#### Voir fig. 8, page 5

- Enlevez toutes les vis et fixations de la trappe de toit ou du climatiseur existant.
- Sortez la trappe de toit ou le climatiseur.

#### Voir fig. 9, page 5

- Éliminez les restes de mastic tout autour de l'ouverture avec un racloir ou un outil similaire.

#### Voir fig. 10, page 5



#### AVIS !

Veillez tenir compte des recommandations du fabricant du mastic.

- Fermez les trous de vis et les renforcements avec un mastic butyle souple (p. ex. SikaLastomer-710, Selleys Butyl Mastic, mastic butyle Bostik Ezycalk, ou produits similaires).

### 8.4 Pose des câbles de raccordement



#### DANGER ! Danger de mort par électrocution

Avant tout travail sur les éléments fonctionnant à l'électricité, assurez-vous qu'ils ne sont plus sous tension !

Le climatiseur de toit doit être relié à un circuit électrique capable de fournir le courant nécessaire (voir les caractéristiques techniques dans le manuel d'utilisation).



- Choisissez la section du câble en fonction de sa longueur :
  - Longueur < 7,5 m : 1,5 mm<sup>2</sup>
  - Longueur > 7,5 m : 2,5 mm<sup>2</sup>

**Voir fig. 11, page 5**

- Faites une ouverture d'un côté afin de faire passer le câble d'alimentation électrique.
- Faites passer le câble 240 V ~ à l'intérieur du véhicule, par l'ouverture.

## 8.5 Montage de l'ADB du climatiseur de toit



### **AVIS ! Risque d'endommagement**

Tenez compte des contraintes statiques exercées sur le toit du véhicule. Le toit du véhicule doit pouvoir supporter le poids du climatiseur de toit. Même à long terme, le toit du véhicule ne doit pas s'enfoncer ni se déformer sous le poids du climatiseur.

**Voir fig. 12, page 6**

- Orientez le cadre de toit en fonction de la taille de l'ouverture.
- Placez le cadre de toit dans l'ouverture du toit.
- Fermez le tour du cadre de toit avec un mastic butyle souple (p. ex. SikaLas-tomer-710, Selleys Butyl Mastic, mastic butyle Bostik Ezycalk, ou produits similaires).

**Voir fig. 13, page 6**

- Montez le climatiseur sur le toit du véhicule.
- Placez le climatiseur de toit sur la plaque de toit et alignez-le sur la rainure dans le plateau.  
Tenez compte du sens de la marche.

### 8.5.1 Fixation du climatiseur de toit

**Voir fig. 14, page 6**

- Aidez-vous des angles à l'avant du plateau pour aligner l'appareil sur la plaque de toit.

## 8.5.2 Raccordement électrique

Élément (fig. 15, page 7)	Description
1	220 – 240 V ~ secteur
2	Plaque d'évaporateur
3	Fil de communication
4	Filet de métal de dissipateur de chaleur
5	Plaque de condenseur
6	Robinet inverseur
7	Compresseur à onduleur
8	Évaporateur de ventilateur
9	Condenseur de ventilateur
10	Capteur d'air extérieur
11	Capteur d'évaporateur
12	Capteur de condenseur
13	Capteur de décharge
14	Inducteur
ye	jaune
bn	marron
bu	bleu
gn	vert
vt	violet
rd	rouge
wh	blanc
bk	noir

Voir fig. 16, page 7

### 8.5.3 Câble secteur

- Raccordez le climatiseur de toit à l'alimentation électrique.  
Raccordez les câbles (1) à un raccord de câble (2).

### 8.5.4 Câble de communication

- Tirez légèrement sur le filtre pour créer un espace pour le câble de communication (3).
- Faites passer le câble de communication dans l'espace et repérez le fil dans l'ouverture.

**Voir fig. 17, page 8**

- Empilez les sections de gaine et placez-les contre l'épaisseur du toit : la hauteur de gaine doit correspondre à la hauteur du toit. Ou utilisez le tableau ci-dessous comme guide :

Épaisseur du toit	Nombre de sections de gaine
18 – 28 mm	1
28 – 38 mm	2
38 – 48 mm	3
48 – 58 mm	4
58 – 68 mm	5

**REMARQUE**

Des sections de gaine supplémentaires peuvent être achetées pour les toits plus épais.

- Fixer le nombre de sections de gaine requis à l'ADB.
- Fixez l'ADB au climatiseur de toit et au plafond à l'aide des 4 vis fournies.

**Voir fig. 18, page 8****AVIS ! Risque d'endommagement**

Respectez le couple de serrage recommandé. Ne serrez pas trop fort !

- Serrez les vis avec une clé dynamométrique à un couple de serrage de  $2,5 \text{ Nm} \pm 0,3 \text{ Nm}$ .

**8.5.5 Câble de communication**

- Branchez le connecteur à 4 broches de communication dans la prise située sur le côté de l'écran (2) de l'ADB.
- Assurez-vous que le câble se trouve dans la petite ouverture éloignée de la zone du filtre.
- Fixez l'excédent de câble dans les supports.
- Réintroduisez complètement le filtre.




**Voir fig. 19, page 8**

- Fixez le cache central sur l'ADB.

Le montage est maintenant terminé. Branchez à l'alimentation électrique et testez l'appareil.

## 9 Caractéristiques techniques

Contient des gaz à effet de serre fluorés. Équipement hermétique.

	<b>FreshJet 3000</b>
Puissance frigorifique du compresseur :	3600 W
Puissance frigorifique selon ISO 5151 :	2516 W
Puissance calorifique selon ISO 5151 :	3107 W
Tension nominale d'entrée :	220 V ~ à 240 V ~ /50 Hz
Courant nominal refroidissement :	7,5 A
Courant nominal chauffage :	6,1 A
Fusible requis :	10 A
Plage de température de fonctionnement :	-2 °C à +52 °C
Fluide frigorigène :	R-410A
Quantité de fluide frigorigène :	0,650 kg
Équivalent CO <sub>2</sub> :	1,357 t
Potentiel d'effet de serre (GWP) :	2088
Type de protection (unité extérieure) :	IPX4
Longueur max. du véhicule suggérée (avec parois isolées) :	< 6 m
Dimensions l x L x h (hauteur au-dessus du toit du véhicule) :	997 x 665 x 240 mm
Poids :	37 kg
Contrôle/certification :	  

## Manual original

**Lea atentamente este manual de instrucciones antes de proceder al montaje y puesta en funcionamiento, y guárdelas en un lugar seguro. En caso de vender o entregar el aparato a otra persona, entregue también estas instrucciones.**

## Índice

1	Explicación de los símbolos. . . . .	45
2	Indicaciones de seguridad y montaje . . . . .	46
3	Destinatarios de estas instrucciones . . . . .	47
4	Volumen de entrega. . . . .	48
5	Accesorios . . . . .	48
6	Uso adecuado . . . . .	48
7	Placas de identificación . . . . .	49
8	Montaje . . . . .	49
9	Datos técnicos. . . . .	56

## 1 Explicación de los símbolos



### ¡PELIGRO!

**Aviso de seguridad** sobre una situación de peligro que, si no se evita, es causa de muerte o heridas graves.



### ¡ADVERTENCIA!

**Aviso de seguridad** sobre una situación de peligro que, si no se evita, puede causar la muerte o heridas graves.



### ¡ATENCIÓN!

**Aviso de seguridad** sobre una situación de peligro que, si no se evita, puede causar heridas leves o de consideración.



### ¡AVISO!

Aviso sobre una situación que, si no se evita, puede causar daños materiales.



### NOTA

Información complementaria para el manejo del producto.

## 2 Indicaciones de seguridad y montaje

**Tenga en cuenta las indicaciones de seguridad y la documentación suministrada por el fabricante del vehículo y los talleres de servicio.**

El fabricante declina toda responsabilidad ante daños ocurridos en los siguientes casos:

- errores de montaje o de conexión
- desperfectos en el producto debidos a influencias mecánicas y una tensión de conexión incorrecta
- modificaciones realizadas en el producto sin el expreso consentimiento del fabricante
- utilización del aparato para fines distintos a los descritos en las instrucciones

### 2.1 Manejo del aparato



#### **¡ADVERTENCIA!**

- Solo personal técnico que conozca los posibles peligros y las normas correspondientes está autorizado a realizar las tareas de montaje y la reparación del equipo de aire acondicionado de techo. Las reparaciones que se realicen incorrectamente pueden dar lugar a situaciones de considerable peligro. Para reparaciones, diríjase al centro de atención al cliente de su país (direcciones al dorso).
- **Los aparatos eléctricos no son juguetes.** No deje dispositivos eléctricos al alcance de los niños. No deje que los niños usen aparatos eléctricos sin estar bajo su vigilancia.
- Las personas que, debido a discapacidades físicas, sensoriales o mentales, o que por falta de experiencia y conocimientos no estén en condiciones de manejar el aparato de forma segura, no deben utilizarlo sin la vigilancia o las instrucciones de una persona responsable.
- En caso de incendio, **no** abra la cubierta superior del equipo de aire acondicionado de techo. Utilice agentes autorizados para la extinción del fuego. No utilice agua para extinguir el fuego.



#### **¡ATENCIÓN!**

- Instale el equipo de aire acondicionado de techo de forma segura para evitar que se pueda caer.
- Utilice el equipo de aire acondicionado de techo únicamente si está seguro de que la carcasa y los cables no presentan ningún daño.
- No utilice el equipo de aire acondicionado de techo cerca de fluidos inflamables ni en recintos cerrados.
- Asegúrese de que no haya objetos inflamables situados o instalados en el área de salida de aire. Se debe guardar una distancia mínima de 50 cm.

- No introduzca las manos en las salidas de ventilación, ni inserte objetos extraños en el equipo.

**¡AVISO!**

- Utilice siempre debidamente el aparato.
- El equipo de aire acondicionado de techo no está diseñado para su uso en maquinaria agrícola y de construcción.
- No realice modificaciones en el aparato.
- Nunca introduzca su caravana en el túnel de lavado estando instalado el equipo de aire acondicionado de techo.
- Si se producen fallos en el circuito de refrigerante, un taller especializado deberá inspeccionar el sistema y repararlo debidamente. Nunca se debe dejar salir refrigerante a la atmósfera.

**NOTA**

- Consulte al fabricante de su vehículo si es necesario realizar una inspección técnica tras instalar un equipo de aire acondicionado y modificar los datos de altura dados en la documentación del vehículo:
  - FreshJet 3000: altura aumentada de 240 mm

## 2.2 Manipulación de cables eléctricos

**¡ADVERTENCIA!**

- Solo un electricista está autorizado a realizar la conexión eléctrica.
- El aparato debe instalarse cumpliendo las normativas nacionales sobre cableado.

**¡ATENCIÓN!**

- Conecte y tienda los cables de tal forma que no se pueda tropezar con ellos ni puedan resultar dañados.

**¡AVISO!**

- Utilice conductos para cables si va a tender cables por paredes con bordes afilados.
- No coloque cables sueltos ni muy doblados sobre materiales conductores de electricidad (metales).
- No someta los cables a tracción.

## 3 Destinatarios de estas instrucciones

Las instrucciones contenidas en este manual van dirigidas a personal cualificado que trabaja en talleres y que está familiarizado con las normas y precauciones de seguridad que se deben aplicar.

## 4 Volumen de entrega

N.º en fig. 1, página 3	Cantidad	Descripción
1	1	Equipo de aire acondicionado de techo
2	1	Placa de techo
3	1	Caja de distribución de aire (ADB)
4	1	Cubierta central de la ADB
5	5	Secciones del conducto
6	3	Abrazaderas para cables
7	4	Pernos de fijación
8	1	Control remoto

## 5 Accesorios

Disponibles como artículos opcionales (no incluidos en el volumen de entrega):

Descripción	N.º de art.
Secciones de conductos de extensión (cada sección cubre 10 mm adicionales)	4450017931
Pernos de fijación más largos (para techos con un grosor entre 80 y 120 mm)	4450012023

## 6 Uso adecuado

Los equipos de aire acondicionado de FreshJet 3000 están diseñados para su instalación en el techo de una caravana o vehículo de recreo con el fin de proporcionar calefacción y refrigeración de ciclo inverso. El dispositivo está concebido para vehículos con techos con un grosor entre 20 y 100 mm. El dispositivo debe montarse de forma que quede dentro de un margen de  $\pm 10^\circ$  del plano horizontal. **No** es apto para casas ni pisos.

El equipo de aire acondicionado de techo **no** es apropiado para su montaje en maquinaria de construcción, en maquinaria agrícola o en maquinaria similar. Su funcionamiento se verá perjudicado si queda expuesto a fuertes vibraciones.

El funcionamiento del equipo de aire acondicionado de techo está garantizado para temperaturas entre  $-2^\circ\text{C}$  y  $52^\circ\text{C}$ .



### NOTA

En las instrucciones de uso encontrará más información sobre los equipos de aire acondicionado de techo como la descripción técnica o los elementos de mando.



## 7 Placas de identificación

Las placas de identificación están fijadas al equipo de aire acondicionado de techo:

- Placa de identificación del producto (fig. **2** 1, página 3), situada en el lateral de la caja electrónica y visible a través de la abertura lateral.
- Placa de datos ADB dentro de la cubierta central de la ADB (fig. **3** 1, página 3)

Estas placas de identificación informan al usuario y al instalador sobre las especificaciones del aparato.

## 8 Montaje



### ¡ATENCIÓN! Peligro de sufrir lesiones

Únicamente personal técnico debidamente cualificado está autorizado a montar el equipo de aire acondicionado de techo. La siguiente información va dirigida a personal técnico familiarizado con las directivas y normativas de seguridad que se han de aplicar.

### 8.1 Nota relativa al montaje

Lea íntegramente estas instrucciones de montaje antes de realizar el montaje del equipo de aire acondicionado de techo.

Tenga en cuenta los siguientes consejos e indicaciones al montar el equipo de aire acondicionado de techo:



### ¡PELIGRO! Peligro de electrocución

Desconecte siempre todas las alimentaciones de tensión mientras esté trabajando en el equipo de aire acondicionado de techo.



### ¡ATENCIÓN! Peligro de sufrir lesiones

- Un montaje incorrecto del equipo de aire acondicionado puede provocar daños irreparables en el aparato y poner en peligro la seguridad del usuario.
- Si el equipo de aire acondicionado de techo no se ha montado de acuerdo a estas instrucciones de montaje, el fabricante no asumirá ningún tipo de responsabilidad por fallos en el funcionamiento ni por la seguridad del equipo de aire acondicionado de techo ni, especialmente, por daños personales y/o materiales.
- Al realizar cualquier tarea, utilice siempre la ropa de protección personal recomendada (p.ej. gafas de protección, guantes de protección).

**¡AVISO! Peligro de que se produzcan daños**

- Durante el montaje del equipo de aire acondicionado de techo, preste siempre atención a la estática del vehículo y al sellado de todas las aberturas realizadas.
- Antes de subirse al techo del vehículo, compruebe si soporta el peso de una persona. Puede consultar al fabricante del vehículo las cargas autorizadas sobre el techo.

**8.1.1 Indicaciones para el transporte**

- Preste atención a la orientación de las flechas hacia arriba que hay en la caja. No monte la unidad si ha estado boca abajo (fig. **4 A**, página 4).
- Acarree el equipo de aire acondicionado de techo siempre con ayuda de otra persona.
- Para mover el equipo de aire acondicionado, levántelo siempre y no lo arrastre por el techo (fig. **4 B**, página 4).
- No levante el equipo por las ranuras de ventilación (fig. **4 C**, página 4).

**8.1.2 Nota sobre el lugar de montaje**

- Antes de montar el equipo de aire acondicionado de techo, compruebe si el montaje podría provocar daños en componentes del vehículo (por ejemplo, lámparas, armarios, puertas).
- Antes del montaje, consulte al fabricante del vehículo si la estructura está diseñada para soportar el peso estático y las cargas generadas por el equipo de aire acondicionado de techo cuando el vehículo se encuentre en movimiento. El fabricante del equipo de aire acondicionado de techo no asume ningún tipo de responsabilidad.
- Es posible que el fabricante del vehículo ya haya previsto puntos en los que se pueda practicar la abertura para montar el equipo de aire acondicionado de techo sin riesgo de debilitar la estructura ni de cortar los cables de alimentación.
- Elija como lugar de montaje una zona llana y suficientemente nivelada en el centro del techo del vehículo entre dos perfiles longitudinales.
- La inclinación del techo en la superficie de montaje no debe superar los 10°.
- Asegúrese de que no haya objetos inflamables situados o instalados en el área de salida de aire. Se debe guardar una distancia mínima de 50 cm.
- Asegúrese de que en el vehículo no haya ningún objeto que pudiera obstaculizar la fijación de la unidad de salida de aire ni la afluencia de aire refrigerado través de las toberas distribuidoras orientables.

- Por motivos de seguridad, al montar el equipo de aire acondicionado de techo (al realizar perforaciones, al atornillar, etc.) preste atención al recorrido de los mazos de cables, conducciones y otros componentes en el área de montaje, especialmente cuando no estén a la vista.

### 8.1.3 Indicaciones relativas al sistema eléctrico

- La conexión eléctrica del equipo de aire acondicionado únicamente debe realizarla un electricista cualificado.
- Compare el valor de tensión indicado en la placa de características con el suministro de energía existente.
- No sitúe cables sueltos o doblados al lado de materiales conductores de la electricidad (metal).
- Instale un interruptor omnipolar con un ancho de apertura de contacto de al menos 3 mm en el lado de montaje.
- Asegúrese de que la alimentación de tensión de la red tenga un interruptor de circuito de corriente residual.
- Asegúrese también de que el cable de tierra del aire acondicionado esté conectado al sistema de puesta a tierra del vehículo.

Hay dos maneras de montar el equipo de aire acondicionado de techo:

- Practicar una nueva abertura (capítulo “Practicar una nueva abertura” en la página 51). En este caso la abertura se debe reforzar con un marco apropiado.
- Utilizar una abertura ya existente en el vehículo como, por ejemplo, una escotilla de techo o reemplazar un equipo antiguo de aire acondicionado (capítulo “Montaje en una abertura ya existente” en la página 52).

## 8.2 Practicar una nueva abertura

**Véase la fig. 5, página 4**

- Elija una zona en el centro del techo situada entre dos perfiles longitudinales.
- Marque la posición y el tamaño de la abertura (preferiblemente 400 x 400 mm u opcionalmente 360 x 360 mm).

**Véase la fig. 6, página 4**

- Perfore las esquinas (**A**).
- Recorte cuidadosamente la abertura en el techo con una sierra de calar o una herramienta similar (**B**).
- Al hacerlo, tenga cuidado de no dañar ningún cable eléctrico.

**Véase la fig. 7, página 5**

- Antes del montaje, compruebe si es necesario reforzar la abertura del techo.
- En caso necesario, retire el aislamiento de espuma conforme a la anchura de sus guías de refuerzo (no incluidas en el volumen de entrega) **(A)**.
- Coloque las guías de refuerzo **(B)**.
- Si es necesario, coloque un marco en H adecuado para reforzar el techo.

### 8.3 Montaje en una abertura ya existente

**NOTA**

- El equipo de aire acondicionado de techo se puede montar en las aberturas ya existentes en el techo según se representa en la fig. 8, página 5.
- Deseche todos los desperdicios, cola, silicona y juntas por separado. Respete las directivas sobre eliminación de residuos.
- El fabricante se responsabiliza únicamente de las piezas incluidas en el volumen de entrega. La garantía pierde su validez en caso de montaje del equipo con piezas de otros fabricantes.

**Véase la fig. 8, página 5**

- Retire todos los tornillos y fijaciones de la escotilla de techo o del equipo de aire acondicionado existentes.
- Extraiga la escotilla del techo o el equipo de aire acondicionado.

**Véase la fig. 9, página 5**

- Retire el material de sellado alrededor de la abertura utilizando un rascador o una herramienta similar.

**Véase la fig. 10, página 5****¡AVISO!**

Siga también las instrucciones del fabricante de la pasta para juntas.

- Selle los orificios de los tornillos y los huecos con un compuesto sellador de butilo flexible que no se endurezca (por ejemplo, SikaLastomer-710, Selleys Butyl Mastic, masilla selladora de butilo Bostik o productos similares).

### 8.4 Tendido de cables de conexión

**¡PELIGRO! Peligro de electrocución**

Antes de realizar trabajos en componentes que funcionan con electricidad, asegúrese de que no haya tensión eléctrica.

El equipo de aire acondicionado de techo debe conectarse a un circuito eléctrico capaz de suministrar la corriente necesaria (ver Datos técnicos en las instrucciones de uso).

- Seleccione la sección de cable conforme a la longitud:
  - Longitud < 7,5 m: 1,5 mm<sup>2</sup>
  - Longitud > 7,5 m: 2,5 mm<sup>2</sup>

**Véase la fig. 11, página 5**

- Practique una abertura en un lado para pasar el cable de alimentación eléctrica.
- Tienda el cable de 240 V~ en el interior del vehículo pasándolo a través de la abertura.

## 8.5 Montaje de la ADB del equipo de aire acondicionado de techo



### ¡AVISO! Peligro de daños materiales

Preste atención a las relaciones estáticas del techo del vehículo. El techo del vehículo debe poder soportar el peso del equipo de aire acondicionado de techo. El peso del equipo no debe hundir ni deformar el techo, ni siquiera tras un largo periodo de tiempo.

**Véase la fig. 12, página 6**

- Oriente el marco del techo en función del tamaño de la abertura.
- Coloque el marco del techo en la abertura prevista para ello.
- Selle en derredor del marco del techo con un compuesto sellador de butilo flexible que no se endurezca (por ejemplo, SikaLastomer-710, Selleys Butyl Mastic, masilla selladora de butilo Bostik o productos similares).

**Véase la fig. 13, página 6**

- Suba el equipo de aire acondicionado al techo del vehículo.
- Coloque el equipo de aire acondicionado de techo sobre la placa de techo y alinéelo en la ranura de la cubeta de fondo.  
Tenga en cuenta el sentido de la marcha.

### 8.5.1 Fijación del equipo de aire acondicionado de techo

**Véase la fig. 14, página 6**

- Utilice las esquinas del frente de la cubeta de fondo para ayudar a alinear la unidad con la placa del techo.

## 8.5.2 Conexión eléctrica

Elemento (fig. 15, página 7)	Descripción
1	Red de 220 – 240 V~
2	Placa del evaporador
3	Cable de comunicación
4	Red metálica del disipador térmico
5	Placa del condensador
6	Válvula de inversión
7	Compresor inversor
8	Evaporador del ventilador
9	Condensador del ventilador
10	Sensor del aire de salida
11	Sensor del evaporador
12	Sensor del condensador
13	Sensor de descarga
14	Inductor
ye	amarillo
bn	marrón
bu	azul
gn	verde
vt	violeta
rd	rojo
wh	blanco
bk	negro

Véase la fig. 16, página 7

## 8.5.3 Cable de red

- Conecte el equipo de aire acondicionado de techo a la alimentación de tensión de la red.

Una los cables (1) con una abrazadera para cables (2).

### 8.5.4 Cable de comunicación

- Tire ligeramente del filtro para originar un hueco destinado al cable de comunicación (3).
- Pase el cable de comunicación a través del hueco y coloque el cable en la abertura.

#### Véase la fig. 17, página 8

- Apile las secciones de los conductos y colóquelas junto al grosor del techo: la altura del conducto debe coincidir con la altura del techo. O utilice la siguiente tabla como guía:

Grosor de techo	Número de secciones del conducto
18 – 28 mm	1
28 – 38 mm	2
38 – 48 mm	3
48 – 58 mm	4
58 – 68 mm	5



#### NOTA

Se pueden comprar secciones de conducto adicionales para techos más gruesos.

- Añada a la ADB el número de secciones de conducto que se requiera.
- Fije la ADB al techo a través del equipo de aire acondicionado de techo con los 4 pernos suministrados.

#### Véase la fig. 18, página 8



#### ¡AVISO! Peligro de daños materiales

Utilice el par de apriete especificado. ¡No apriete en exceso!

- Con una llave dinamométrica, apriete los tornillos a un par de 2,5 Nm ±0,3 Nm.

### 8.5.5 Cable de comunicación

- Conecte la clavija de comunicación de 4 pines en la caja de enchufe del lado de la pantalla (2) en la ADB.
- Asegúrese de que el cable esté colocado en la pequeña abertura lejos de la zona del filtro.
- Asegure el cable sobrante en los soportes.
- Vuelva a introducir el filtro completamente.


**Véase la fig. 19, página 8**

- Enganche la cubierta central a la ADB.

El montaje está finalizado. Conecte la alimentación de tensión y efectúe una prueba de funcionamiento.

## 9 Datos técnicos

Contiene gases de efecto invernadero fluorados. Equipo herméticamente sellado.

	<b>FreshJet 3000</b>
Potencia de refrigeración del compresor:	3600 W
Potencia de refrigeración conforme a ISO 5151:	2516 W
Potencia de calefacción conforme a ISO 5151:	3107 W
Tensión de entrada nominal:	entre 220 V~ y 240 V~ / 50 Hz
Corriente nominal de refrigeración:	7,5 A
Corriente nominal de calefacción	6,1 A
Fusible necesario:	10 A
Rango de temperatura de funcionamiento:	De -2 °C a +52 °C
Refrigerante:	R-410A
Cantidad de refrigerante:	0,650 kg
Equivalente de CO <sub>2</sub> :	1,357 t
Índice GWP (Global Warming Potential):	2088
Clase de protección (unidad exterior):	IPX4
Longitud máxima sugerida para el vehículo (con paredes aisladas):	<6 m
Dimensiones L x A x H (altura por encima del techo del vehículo):	997 x 665 x 240 mm
Peso:	37 kg
Inspección/certificados:	  



## Manual original

**Leia atentamente este manual antes da montagem e da colocação em funcionamento e guarde-o num local seguro. Em caso de revenda do aparelho, entregue o manual ao novo proprietário.**

## Índice

1	Explicação dos símbolos .....	57
2	Indicações de segurança e de montagem .....	58
3	Destinatários do presente manual .....	59
4	Material fornecido .....	60
5	Acessórios .....	60
6	Utilização adequada .....	60
7	Chapas de características .....	61
8	Montagem .....	61
9	Dados técnicos .....	69

## 1 Explicação dos símbolos



### PERIGO!

**Indicação de segurança** sobre uma situação de perigo que leva à morte ou a ferimentos graves se não for evitada.



### AVISO!

**Indicação de segurança** sobre uma situação de perigo que pode levar à morte ou a ferimentos graves se não for evitada.



### PRECAUÇÃO!

**Indicação de segurança** sobre uma situação de perigo que pode levar a ferimentos ligeiros ou moderados se não for evitada.



### NOTA!

Indicação sobre uma situação que leva a danos materiais se não for evitada.



### OBSERVAÇÃO

Informações complementares sobre a operação do produto.

## 2 Indicações de segurança e de montagem

**Tenha em atenção as indicações de segurança e as estipulações especificadas pelo fabricante do veículo e pelas oficinas de reparação.**

O fabricante não se responsabiliza por danos nos seguintes casos:

- Erros de montagem ou de conexão
- Danos no produto resultantes de influências mecânicas e tensão de conexão incorreta
- Alterações ao produto sem autorização expressa do fabricante
- Utilização para outras finalidades que não as descritas no manual de instruções

### 2.1 Manuseamento do aparelho



#### AVISO!

- A montagem e as reparações do sistema de ar condicionado de tejadilho apenas devem ser realizadas por técnicos especializados familiarizados com os perigos inerentes ou com as normas em vigor. Reparações inadequadas podem originar perigos graves. Em caso de reparação, entre em contacto com o centro de assistência técnica do seu país (endereços no verso).
- **Os aparelhos elétricos não são brinquedos.**  
Mantenha as crianças e as pessoas debilitadas longe de aparelhos elétricos. Não permita que crianças e pessoas debilitadas utilizem aparelhos elétricos sem supervisão.
- As pessoas que não estão aptas a utilizar o aparelho de modo seguro devido a incapacidade física, sensorial ou mental ou devido à sua inexperiência, não devem utilizar o aparelho sem a supervisão ou as instruções de uma pessoa responsável.
- Em caso de incêndio, **não** solte a tampa superior do sistema de ar condicionado de tejadilho. Utilize antes os agentes de extinção permitidos. Não utilize água para apagar incêndios.



#### PRECAUÇÃO!

- O sistema de ar condicionado de tejadilho tem de ser instalado de forma segura, de modo que não possa cair.
- Utilize o sistema de ar condicionado de tejadilho apenas quando o corpo e os cabos não apresentam danos.
- Não coloque o sistema de ar condicionado de tejadilho nas proximidades de líquidos nem em espaços fechados.
- Preste atenção para que os objetos inflamáveis não sejam armazenados nem montados na área da saída de ar. Deve ser mantida uma distância de, pelo menos, 50 cm.

- Não coloque as mãos nas saídas de ar e não insira objetos estranhos no aparelho.

**NOTA!**

- Utilize o aparelho apenas para o fim previsto.
- O sistema de ar condicionado de tejadilho não se adequa ao funcionamento em máquinas agrícolas nem em máquinas para a construção civil.
- Não deve executar quaisquer alterações ou modificações no aparelho!
- Nunca lave o veículo em sistemas de lavagem automáticos com o sistema de ar condicionado de tejadilho montado.
- Se ocorrerem falhas no circuito de refrigeração, o sistema deve ser verificado e devidamente reparado por uma empresa especializada. O agente de refrigeração nunca pode ser libertado para o ar.

**OBSERVAÇÃO**

- Informe-se junto do fabricante do veículo se é necessário realizar uma inspeção técnica após instalar um sistema de ar condicionado e se é necessário proceder à alteração da altura do veículo na documentação do mesmo:
  - FreshJet 3000: altura adicional 240 mm

## 2.2 Manuseamento dos cabos elétricos

**AVISO!**

- A ligação elétrica deve ser efetuada apenas por um electricista especializado.
- A instalação elétrica do aparelho deve ser efetuada em conformidade com os regulamentos nacionais aplicáveis.

**PRECAUÇÃO!**

- Fixe os cabos e coloque-os de modo a excluir riscos de tropeções e de danos.

**NOTA!**

- Se os cabos tiverem de ser passados por paredes com arestas afiadas, utilize tubos vazios ou tubos de passar cabos!
- Não coloque os cabos soltos ou dobrados junto de materiais eletrocondutores (metal).
- Não puxe pelos cabos.

## 3 Destinatários do presente manual

Este manual destina-se a técnicos qualificados em oficinas, que estão familiarizados com as diretivas a aplicar e medidas de segurança.

## 4 Material fornecido

N.º na fig. 1, página 3	Quantidade	Designação
1	1	Sistema de ar condicionado de tejadilho
2	1	Placa de tejadilho
3	1	Caixa de distribuição de ar (ADB)
4	1	Tampa do centro da ADB
5	5	Secções de conduta
6	3	Conectores de cabo
7	4	Parafusos de fixação
8	1	Controlo remoto

## 5 Acessórios

Disponível como acessório (não incluído no material fornecido):

Designação	N.º art.
Secções de conduta para extensão (cada secção cobre 10 mm adicionais)	4450017931
Parafusos de fixação mais longos (para espessuras de tejadilho de 80 – 120 mm)	4450012023

## 6 Utilização adequada

Os sistemas de ar condicionado FreshJet 3000 foram concebidos para uma montagem no tejadilho de uma caravana ou de um veículo de recreio para fornecer aquecimento e refrigeração com ciclo invertido. O aparelho destina-se a veículos com tejadilhos com uma espessura de 20 a 100 mm. O aparelho deve ser montado de forma a que se encontre a, no máximo,  $\pm 10^\circ$  do plano horizontal. Este aparelho **não** é adequado para casas nem apartamentos.

O sistema de ar condicionado de tejadilho **não** é adequado para a montagem em máquinas para a construção civil, máquinas agrícolas ou equipamentos semelhantes. O aparelho não funcionará corretamente se exposto a vibrações demasiado fortes.

O funcionamento do sistema de ar condicionado de tejadilho está garantido para temperaturas entre  $-2^\circ\text{C}$  e  $52^\circ\text{C}$ .

**OBSERVAÇÃO**

Para obter mais informações sobre o sistema de ar condicionado de tejadilho, tais como a descrição técnica ou os elementos de controlo, consulte o manual de instruções.

## 7 Chapas de características

O sistema de ar condicionado de tejadilho tem as seguintes chapas de características:

- Chapa de características do produto (fig. **2** 1, página 3), localizada na parte lateral da caixa elétrica que pode ser vista através do ventilador lateral.
- Chapa de características de dados da ADB no interior da tampa central da ADB (fig. **3** 1, página 3)

Estas chapas de características informam o utilizador e o técnico de instalação sobre as especificações de aparelhos.

## 8 Montagem

**PRECAUÇÃO! Perigo de ferimentos**

A montagem do sistema de ar condicionado de tejadilho apenas pode ser efetuada por técnicos qualificados. As seguintes informações destinam-se a técnicos devidamente familiarizados com as diretivas e medidas de segurança a aplicar.

### 8.1 Indicações acerca da montagem

Antes de montar o sistema de ar condicionado de tejadilho, leia estas instruções de montagem.

Durante a montagem do sistema de ar condicionado de tejadilho, é necessário prestar atenção às seguintes dicas e indicações:

**PERIGO! Perigo de eletrocussão**

Durante os trabalhos no sistema de ar condicionado de tejadilho, desligue todas as fontes de alimentação.

**PRECAUÇÃO! Perigo de ferimentos**

- Uma montagem incorreta do sistema de ar condicionado de tejadilho pode causar danos irreparáveis no aparelho e comprometer a segurança do utilizador.
- Quando o sistema de ar condicionado de tejadilho não é instalado em conformidade com estas instruções de montagem, o fabricante não assume qualquer responsabilidade por falhas de funcionamento nem pela segurança do sistema de ar condicionado de tejadilho, em especial, por danos pessoais e/ou materiais.
- Utilize sempre o vestuário de proteção recomendado (p. ex. óculos de proteção, luvas de proteção).

**NOTA! Perigo de danos**

- Durante a montagem do sistema de ar condicionado de tejadilho, respeite sempre a estrutura do veículo e a vedação de todas as aberturas feitas durante a montagem.
- Antes de subir ao tejadilho do veículo, verifique se o mesmo consegue suportar o seu peso. Pode consultar o fabricante do veículo para obter informações acerca dos pesos admissíveis no tejadilho.

### 8.1.1 Indicações sobre o transporte

- Tenha em atenção a orientação das setas indicadoras presentes na caixa de cartão. Não instale a unidade se esta tiver estado virada para baixo durante algum tempo (fig. **4 A**, página 4).
- Segure no sistema de ar condicionado de tejadilho sempre com a ajuda de outra pessoa.
- Sempre que deslocar o sistema de ar condicionado de tejadilho, eleve-o e não o arraste por sobre o tejadilho (fig. **4 B**, página 4).
- Não eleve o sistema de ar condicionado de tejadilho pelas aberturas de ventilação (fig. **4 C**, página 4).

### 8.1.2 Indicações acerca do local de montagem

- Antes de montar o sistema de ar condicionado de tejadilho verifique se a montagem não danifica eventuais componentes do veículo (por ex., lâmpadas, armários, portas).
- Antes da montagem deverá esclarecer – junto do fabricante automóvel – se a estrutura foi concebida para o peso estático e as cargas através da unidade fixa de ar condicionado com o veículo em movimento. O fabricante do sistema de ar condicionado de tejadilho não assume qualquer tipo de responsabilidade.

- É provável que o fabricante do veículo já tenha fornecido pontos nos quais pode ser realizada a abertura para a montagem do sistema de ar condicionado de tejadilho sem o risco de enfraquecer a estrutura ou de corte dos cabos elétricos.
- Selecione como lugar de montagem uma zona plana e suficientemente lisa no centro do tejadilho do veículo, entre dois perfis longitudinais.
- A inclinação do tejadilho na superfície de montagem não deve ser superior a 10°.
- Preste atenção para que os objetos inflamáveis não sejam armazenados nem montados na área da saída de ar. Deve ser mantida uma distância de, pelo menos, 50 cm.
- Certifique-se de que não existe nenhum objeto no interior do veículo que impeça a fixação da unidade de saída de ar e a saída de ar refrigerado através dos bocais de distribuição de ar basculáveis.
- Por motivos de segurança, durante a montagem do sistema de ar condicionado de tejadilho (ao furar e aparafusar, etc.), preste atenção à localização dos chicotes de cabos existentes, em especial, à localização dos chicotes de cabos não visíveis, cabos e outros componentes localizados na área de montagem.

### 8.1.3 Indicações relativas ao sistema elétrico

- A ligação elétrica do sistema de ar condicionado de tejadilho deve ser realizada apenas por um eletricista competente.
- Verifique se a indicação de tensão na chapa de características corresponde à da fonte de alimentação existente.
- Não coloque cabos soltos nem dobrados junto de materiais eletrocondutores (metal).
- Do lado da montagem, instale um interruptor omnipolar com uma abertura de contacto com, pelo menos, 3 mm de largura.
- Certifique-se de que a alimentação de tensão está protegida por um disjuntor de tensão residual.
- Certifique-se de que o cabo de terra do ar condicionado está conectado à massa do veículo.

Existem duas formas de montar o sistema de ar condicionado de tejadilho:

- Criar uma nova abertura (capítulo “Criar uma nova abertura” na página 64). Neste caso, a abertura deve se reforçada por uma moldura adequada.
- Utilizar uma abertura já existente no veículo, tal como uma escotilha de tejadilho ou substituir um sistema de ar condicionado antigo (capítulo “Montar numa abertura existente” na página 64).

## 8.2 Criar uma nova abertura

### Ver fig. 5, página 4

- Selecione uma zona no centro do tejadilho entre dois perfis longitudinais.
- Marque a posição e meça a abertura (de preferência 400 x 400 mm ou opcionalmente 360 x 360 mm).

### Ver fig. 6, página 4

- Faça os furos nos cantos (A).
- Recorte cuidadosamente a abertura no tejadilho com uma serra tico-tico ou semelhante (B).
- Durante este procedimento, preste atenção para que nenhum cabo elétrico seja danificado.

### Ver fig. 7, página 5

- Antes da montagem, verifique se a abertura no tejadilho tem de ser reforçada.
- Se necessário, retire a espuma ao longo de toda a largura das guias de reforço (não incluídas no material fornecido) (A).
- Adapte as guias de reforço (B).
- Se necessário, instale uma estrutura de suporte adequada para reforçar o teto.

## 8.3 Montar numa abertura existente



### OBSERVAÇÃO

- As aberturas de escotilha já existentes no tejadilho em conformidade com a fig. 8, página 5 são adequadas para a montagem do sistema de ar condicionado de tejadilho.
- Elimine todos os resíduos, cola, silicone e vedantes separadamente. Respeite as diretivas relativas à eliminação de resíduos.
- O fabricante só se responsabiliza pelas peças incluídas no material fornecido. A garantia perde a sua validade se o aparelho for instalado com peças de terceiros.

### Ver fig. 8, página 5

- Retire todos os parafusos e fixações da escotilha ou do sistema de ar condicionado de tejadilho.
- Remova a escotilha ou o sistema de ar condicionado de tejadilho.



**Ver fig. 9, página 5**

- Retire a massa de vedação à volta com um raspador ou uma ferramenta semelhante.

**Ver fig. 10, página 5****NOTA!**

Tenha em atenção as instruções do fabricante da massa de vedação.

- Vede os furos dos parafusos e reentrâncias com um material selante butílico plástico que não endureça (por ex., SikaLastomer-710, mástique butílico Selleys, massa de vedação butílica Bostik EzyCaulk ou produtos semelhantes).

## 8.4 Instalar os cabos de ligação

**PERIGO! Perigo de eletrocussão**

Antes de realizar trabalhos em componentes operados eletricamente, certifique-se de que não existe tensão!

O sistema de ar condicionado de tejadilho tem de ser ligado a um circuito de corrente apto a fornecer a corrente necessária (ver Dados técnicos em Manual de instruções).

- Selecione o diâmetro transversal do cabo de acordo com o comprimento do cabo:
  - Comprimento < 7,5 m: 1,5 mm<sup>2</sup>
  - Comprimento > 7,5 m: 2,5 mm<sup>2</sup>

**Ver fig. 11, página 5**

- Crie uma abertura num dos lados de forma a passar o cabo de alimentação elétrica.
- Passe o cabo de 240 V~ pela abertura até ao interior do veículo.

## 8.5 Instalar a ADB do sistema de ar condicionado de tejadilho

**NOTA! Perigo de danos**

Tenha em atenção a resistência estrutural do tejadilho do veículo. O tejadilho do veículo deve poder suportar o peso do sistema de ar condicionado de tejadilho. A longo prazo, o tejadilho não deve comprimir ou mudar de forma devido ao peso da unidade.

**Ver fig. 12, página 6**

- ▶ Oriente a moldura do tejadilho com base no tamanho da abertura.
- ▶ Ajuste a moldura do tejadilho à abertura do tejadilho.
- ▶ Vede a área em torno da moldura do tejadilho com um material selante butílico plástico que não endureça (por ex., SikaLastomer-710, mástique butílico Selleys, massa de vedação butílica Bostik EzyCaulk ou produtos semelhantes).

**Ver fig. 13, página 6**

- ▶ Eleve o sistema de ar condicionado de tejadilho para cima do tejadilho do veículo.
- ▶ Posicione o sistema de ar condicionado de tejadilho na placa do tejadilho e alinhe-o com a ranhura da placa de base.  
Tenha em conta o sentido de direção da condução.

**8.5.1 Fixar o sistema de ar condicionado de tejadilho****Ver fig. 14, página 6**

- ▶ Utilize os cantos da parte dianteira da placa de base para alinhar a unidade com a placa de tejadilho.

**8.5.2 Ligação elétrica**

Item (fig. 15, página 7)	Designação
1	Tensão de 220 – 240 V~
2	Chapa do evaporador
3	Fio de comunicação
4	Rede de metal do dissipador térmico
5	Placa do condensador
6	Válvula inversora
7	Compressor do conversor
8	Evaporador do ventilador
9	Condensador do ventilador
10	Sensor de saída de ar
11	Sensor do evaporador
12	Sensor do condensador
13	Sensor de descarga
14	Indutor
ye	Amarelo

Item (fig. 15, página 7)	Designação
bn	Castanho
bu	Azul
gn	Verde
vt	Violeta
rd	Vermelho
wh	Branco
bk	Preto

Ver fig. 16, página 7

### 8.5.3 Cabo de rede elétrica

- Ligue o sistema de ar condicionado de tejadilho à alimentação de tensão. Ligue os cabos correspondentes (1) a cada um dos conectores de cabo (2).

### 8.5.4 Cabo de comunicação

- Puxe o filtro ligeiramente para fora para criar uma folga para passar o cabo de comunicação (3).
- Passe o cabo de comunicação pela folga e localize o cabo na abertura.

Ver fig. 17, página 8

- Empilhe as secções de conduta e compare com a espessura do tejadilho: a altura da conduta deve corresponder à altura do tejadilho. Caso contrário, utilize a tabela seguinte como orientação:

Espessura do tejadilho	Número de secções de conduta:
18 – 28 mm	1
28 – 38 mm	2
38 – 48 mm	3
48 – 58 mm	4
58 – 68 mm	5



#### OBSERVAÇÃO

É possível adquirir secções de conduta adicionais para tejadilhos mais espessos.

- Fixe as secções de conduta necessárias à ADB.
- Fixe a ADB ao teto através do sistema de ar condicionado de tejadilho com os 4 parafusos fornecidos.

**Ver fig. 18, página 8**



**NOTA! Perigo de danos**

Respeite o binário de aperto indicado! Não aperte demasiado!

- ▶ Aperte os parafusos com uma chave de boca e um binário de aperto de  $2,5 \text{ Nm} \pm 0,3 \text{ Nm}$ .

### **8.5.5 Cabo de comunicação**

- ▶ Ligue a ficha de comunicação de 4 pinos à tomada no lado do visor (2) na ADB.
- ▶ Certifique-se de que o cabo se encontra no interior da pequena abertura, afastado da área de filtro.
- ▶ Fixe o excesso do cabo nos suportes.
- ▶ Empurre o filtro totalmente para dentro.




**Ver fig. 19, página 8**

- ▶ Engate a cobertura central na ADB.

O processo de montagem está agora concluído. Ligue o aparelho e teste-o.

## 9 Dados técnicos

Contém gases fluorados com efeito de estufa. Equipamento hermeticamente selado.

	<b>FreshJet 3000</b>
Potência de refrigeração do compressor:	3600 W
Potência de refrigeração com base em ISO 5151:	2516 W
Potência de aquecimento com base em ISO 5151:	3107 W
Tensão nominal de entrada:	220 V~ a 240 V~/50 Hz
Corrente nominal para refrigeração:	7,5 A
Corrente nominal para aquecimento:	6,1 A
Fusível necessário:	10 A
Intervalo de temperatura de funcionamento:	-2 °C a +52 °C
Agente de refrigeração:	R-410A
Quantidade de agente de refrigeração:	0,650 kg
Equivalente a CO <sub>2</sub> :	1,357 t
Potencial de aquecimento global (PAG):	2088
Classe de proteção (unidade de exterior):	IPX4
Cumprimento do veículo máx. sugerido (com paredes isoladas):	<6 m
Dimensões C x L x A (altura acima do tejadilho):	997 x 665 x 240 mm
Peso:	37 kg
Inspeção/certificação:	  

## Istruzioni originali

**Prima dell'installazione e della messa in funzione leggere accuratamente questo manuale di istruzioni e conservarlo in un luogo sicuro. Nel caso in cui il dispositivo venga consegnato a un altro utente, consegnare anche il relativo manuale di istruzioni.**

## Indice

1	Spiegazione dei simboli . . . . .	70
2	Istruzioni per la sicurezza e il montaggio . . . . .	71
3	Destinatari del presente manuale di istruzioni . . . . .	72
4	Dotazione . . . . .	73
5	Accessori . . . . .	73
6	Conformità d'uso . . . . .	73
7	Targhette di identificazione . . . . .	74
8	Installazione . . . . .	74
9	Specifiche tecniche . . . . .	81

## 1 Spiegazione dei simboli



### PERICOLO!

**Indicazione di sicurezza** che segnala una situazione di pericolo che se non evitata provoca morte o gravi lesioni.



### AVVERTENZA!

**Indicazione di sicurezza** che segnala una situazione di pericolo che se non evitata può provocare morte o gravi lesioni.



### ATTENZIONE!

**Indicazione di sicurezza** che segnala una situazione di pericolo che se non evitata può provocare lesioni lievi o di gravità media.



### AVVISO!

Indicazione di una situazione che se non evitata può provocare danni materiali.



### NOTA

Informazioni integranti relative all'impiego del prodotto.

## 2 Istruzioni per la sicurezza e il montaggio

**Osservare le istruzioni per la sicurezza e le condizioni previste dal produttore del veicolo e dalle officine di assistenza.**

Il produttore non si assume nessuna responsabilità per danni nei seguenti casi:

- errori di montaggio o di allacciamento
- danni al prodotto dovuti a influenze meccaniche o a un'errata tensione di allacciamento
- modifiche al prodotto senza esplicita autorizzazione del produttore
- impiego per altri fini rispetto a quelli descritti nel manuale di istruzioni

### 2.1 Utilizzo dell'apparecchio



#### **AVVERTENZA!**

- I lavori di montaggio e riparazione del climatizzatore a tetto devono essere effettuati solo da uno specialista informato sui pericoli connessi e sulle relative prescrizioni. Le riparazioni effettuate in modo scorretto possono causare gravi pericoli. In caso di riparazioni, rivolgersi al Centro di assistenza del proprio Paese (l'indirizzo si trova sul retro di questo manuale).
- **I dispositivi elettrici non sono giocattoli.**  
Tenere bambini e persone inferme lontano dagli apparecchi elettrici. Non permettere ai bambini di utilizzare l'apparecchio se non in presenza di adulti.
- Le persone che, a causa delle proprie capacità fisiche, sensoriali o mentali oppure della propria inesperienza o scarsa conoscenza non siano in grado di utilizzare il prodotto in modo sicuro, devono evitare di utilizzarlo se non in presenza e seguendo le istruzioni di una persona per loro responsabile.
- In caso d'incendio **non** rimuovere il coperchio superiore del climatizzatore a tetto. Utilizzare invece agenti estinguenti approvati. Non tentare di estinguere l'incendio con acqua.



#### **ATTENZIONE!**

- Installare il climatizzatore a tetto in modo tale che non possa cadere.
- Mettere in funzione il climatizzatore a tetto solo se i cavi e l'alloggiamento non sono danneggiati.
- Non utilizzare il climatizzatore a tetto nelle vicinanze di liquidi infiammabili oppure in locali chiusi.
- Assicurarsi che nella zona delle bocchette di aerazione non siano collocati o montati oggetti infiammabili. Deve essere rispettata una distanza minima di 50 cm.
- Non intervenire nell'area delle bocchette di aerazione e non introdurre nessun corpo estraneo nell'apparecchio.

**AVVISO!**

- Utilizzare l'apparecchio solamente in conformità alla destinazione d'uso prevista.
- Il climatizzatore a tetto non è adatto all'impiego su macchine agricole ed edili.
- Non eseguire modifiche o trasformazioni all'apparecchio!
- Se il climatizzatore a tetto è montato, non entrare mai con il camper in una stazione di lavaggio automatica.
- Qualora dovessero presentarsi guasti al circuito di raffreddamento, fare controllare l'impianto da una ditta specializzata e farlo riparare a regola d'arte. Non scaricare mai il refrigerante nell'atmosfera.

**NOTA**

- Informarsi presso il produttore del veicolo di fiducia se, una volta installato il climatizzatore a tetto, sia richiesto eseguire un collaudo e modificare il valore dell'altezza del veicolo riportato nella carta di circolazione.
  - FreshJet 3000: altezza aumentata 240 mm

## 2.2 Disposizione dei cavi elettrici

**AVVERTENZA!**

- Il collegamento elettrico deve essere effettuato unicamente da un tecnico specializzato.
- L'apparecchio deve essere installato in conformità alle norme nazionali sul cablaggio.

**ATTENZIONE!**

- Posare i cavi in modo tale che non sussista pericolo di inciampo e che si possano escludere eventuali danni ai cavi.

**AVVISO!**

- Utilizzare canaline per cavi per posare i cavi attraverso pareti con spigoli vivi.
- Non effettuare la posa di cavi laschi o piegati accanto a materiali elettroconduttori (metalli).
- Non tirare i cavi.

## 3 Destinatari del presente manuale di istruzioni

Questo manuale di istruzioni si rivolge ai tecnici specializzati delle officine informati sulle direttive e i dispositivi di sicurezza da adottare.



## 4 Dotazione

N. nella fig. 1, pagina 3	Quantità	Descrizione
1	1	Climatizzatore a tetto
2	1	Piastra del tetto
3	1	Scatola di distribuzione dell'aria
4	1	Copertura centrale scatola di distribuzione dell'aria
5	5	Sezioni dei condotti
6	3	Connettori per cavi
7	4	Viti di fissaggio
8	1	Controllo remoto

## 5 Accessori

Disponibili come accessori (non in dotazione):

Descrizione	N. art.
Sezioni dei condotti di prolunga (ogni sezione copre ulteriori 10 mm)	4450017931
Bulloni di fissaggio più lunghi (per spessori del tetto da 80 a 120 mm)	4450012023

## 6 Conformità d'uso

I climatizzatori FreshJet 3000 sono progettati per essere installati sul tetto di caravan o veicoli ricreazionali per fornire riscaldamento e raffreddamento a ciclo inverso. L'apparecchio è destinato a veicoli con tetti da 20 a 100 mm di spessore. L'apparecchio deve essere installato in modo che si trovi entro  $\pm 10^\circ$  rispetto al piano orizzontale. **Non** è idoneo per essere installato in case o appartamenti.

Il climatizzatore a tetto **non** è adatto per essere montato su macchine edili, macchine agricole o apparecchi da lavoro simili. In caso di vibrazione eccessiva non è più garantito un funzionamento corretto.

Il funzionamento del climatizzatore a tetto è garantito per temperature da  $-2$  a  $52^\circ\text{C}$ .



### NOTA

Per ulteriori informazioni sui climatizzatori a tetto, come la descrizione tecnica o i sistemi di controllo, consultare il manuale di istruzioni.

## 7 Targhette di identificazione

Le targhette sono applicate sul climatizzatore a tetto:

- Etichetta del prodotto (fig. **2** 1, pagina 3), situata sul lato della scatola elettronica e visibile attraverso l'apertura laterale.
- Etichetta dati scatola di distribuzione dell'aria all'interno del coperchio centrale specifico (fig. **3** 1, pagina 3)

Queste targhette di identificazione informano l'utente e l'installatore sulle specifiche dell'apparecchio.

## 8 Installazione



### **ATTENZIONE! Rischio di lesioni**

L'installazione del climatizzatore a tetto deve essere eseguita esclusivamente da personale qualificato. Le seguenti informazioni sono destinate al personale specializzato informato sulle direttive e le misure di sicurezza da adottare.

### 8.1 Note sull'installazione

Prima del montaggio del climatizzatore a tetto, leggere interamente le presenti istruzioni di montaggio.

Durante il montaggio, osservare i consigli e le indicazioni del climatizzatore a tetto descritte qui di seguito:



### **PERICOLO! Pericolo di folgorazione**

Quando si opera sul climatizzatore a tetto, interrompere tutte le alimentazioni di tensione.



### **ATTENZIONE! Rischio di lesioni**

- Un montaggio scorretto del climatizzatore a tetto può provocare danni irreparabili all'apparecchio e compromettere la sicurezza dell'utente.
- Se il climatizzatore a tetto non viene installato secondo le presenti istruzioni di montaggio, il produttore non si assume alcuna responsabilità per guasti o per la sicurezza del climatizzatore a tetto, in modo particolare per danni alle persone o materiali.
- Per l'esecuzione di tutti i lavori, indossare l'abbigliamento di protezione previsto (ad es. occhiali e guanti di protezione).

**AVVISO! Fare attenzione a non causare danni**

- Al momento del montaggio del climatizzatore a tetto, osservare sempre la statica del veicolo e isolare tutte le aperture che si sono create durante il montaggio.
- Prima di accedere al tetto del veicolo, verificare se effettivamente le persone vi possono camminare sopra. Eventualmente rivolgersi al produttore del veicolo per sapere il carico ammesso sul tetto.

**8.1.1 Indicazioni relative al trasporto**

- Prestare attenzione all'orientamento delle frecce rivolte verso l'alto sulla confezione. Non installare l'unità se è stata capovolta per un certo periodo di tempo (fig. **4 A**, pagina 4).
- Sorreggere sempre il climatizzatore a tetto in due.
- Per la movimentazione del climatizzatore a tetto, sollevarlo sempre e non trascinarlo mai sul tetto (fig. **4 B**, pagina 4).
- Non sollevarlo mai per le griglie di aerazione (fig. **4 C**, pagina 4).

**8.1.2 Indicazioni sul luogo di installazione**

- Prima di procedere con l'installazione del climatizzatore a tetto occorre verificare che il suo montaggio non possa causare danni ai componenti del veicolo (ad es. lampade, armadi, porte, ecc.).
- Prima del montaggio informarsi presso il produttore del veicolo se, con il veicolo in marcia, la struttura è in grado di sostenere il peso statico e il carico del climatizzatore a tetto. Il produttore del climatizzatore a tetto non si assume alcuna responsabilità.
- È possibile che il produttore del veicolo abbia già previsto dei punti nei quali sia possibile realizzare l'apertura per l'installazione del climatizzatore a tetto senza correre il rischio di indebolire la struttura o di tranciare i cavi elettrici.
- Per il montaggio scegliere una zona piana e sufficientemente piatta al centro del tetto del veicolo fra i due profili longitudinali.
- La pendenza della superficie di montaggio del tetto non può essere superiore a 10°.
- Assicurarsi che nella zona delle bocchette di aerazione non siano collocati o montati oggetti infiammabili. Deve essere rispettata una distanza minima di 50 cm.
- Assicurarsi che nell'abitacolo del veicolo non siano presenti ostacoli per il fissaggio dell'unità di fuoriuscita dell'aria o la fuoriuscita dell'aria raffreddata attraverso le bocchette di distribuzione dell'aria orientabili.

- Per motivi di sicurezza, accertarsi che il montaggio del climatizzatore a tetto (in caso di perforazioni ed avviture ecc.) non avvenga lungo la posa dei cablaggi preesistenti, in particolare di quelli non a vista, delle linee e di altri componenti situati nell'area di installazione!

### 8.1.3 Indicazioni relative al sistema elettrico

- Fare eseguire il collegamento elettrico del climatizzatore a tetto solamente da un elettricista qualificato.
- Confrontare i dati della tensione riportati sulla targhetta con quelli delle prese e degli attacchi disponibili.
- Non posare cavi allentati o piegati accanto a materiali che conducono elettricità (metalli).
- Installare sul lato di installazione un interruttore onnipolare con una larghezza di apertura dei contatti di almeno 3 mm.
- Assicurarsi che la linea dell'alimentazione elettrica sia dotata di un interruttore automatico per correnti residue.
- Verificare che il cavo di collegamento a terra del climatizzatore sia collegato al sistema di messa a terra del veicolo.

Ci sono due modi per installare il climatizzatore a tetto:

- Creare una nuova apertura (capitolo "Realizzazione di una nuova apertura" a pagina 76). In questo caso l'apertura deve essere rinforzata da un telaio adeguato.
- Utilizzando un'apertura esistente nel veicolo, come un oblò a tetto, o la sostituzione di un vecchio climatizzatore (capitolo "Installazione in un'apertura esistente" a pagina 77).

## 8.2 Realizzazione di una nuova apertura

**Vedi fig. 5, pagina 4**

- Scegliere un'area al centro del tetto situata fra i due supporti longitudinali.
- Segnare la posizione e le dimensioni dell'apertura (preferibilmente 400 x 400 mm o opzionalmente 360 x 360 mm).

**Vedi fig. 6, pagina 4**

- Praticare dei fori sugli angoli (**A**).
- Tagliare con cura l'apertura sul tetto con un seghetto a lama sottile o uno strumento simile (**B**).
- Durante questa operazione, prestare attenzione a non danneggiare i cavi elettrici.

**Vedi fig. 7, pagina 5**

- Prima dell'installazione stabilire se l'apertura sul tetto deve essere rinforzata.
- Se necessario, rimuovere lo strato di schiuma in base alla larghezza ai listelli di rinforzo (non in dotazione) **(A)**.
- Adattare i listelli di rinforzo **(B)**.
- Se necessario, montare un telaio ad H per rinforzare il tetto.

### 8.3 Installazione in un'apertura esistente

**NOTA**

- Il montaggio del climatizzatore a tetto può essere eseguito nelle aperture preesistenti del tetto come da fig. 8, pagina 5.
- Smaltire separatamente tutti i residui di materiale, colla, silicone e guarnizioni. Attenersi alle linee guida sullo smaltimento.
- Il produttore è responsabile esclusivamente per i pezzi in dotazione. La garanzia decade in caso di montaggio del dispositivo con pezzi non originali.

**Vedi fig. 8, pagina 5**

- Rimuovere tutte le viti e gli elementi di fissaggio dell'oblò a tetto o del climatizzatore d'aria esistente.
- Estrarre l'oblò a tetto o il climatizzatore d'aria.

**Vedi fig. 9, pagina 5**

- Con un raschietto o qualcosa di simile, rimuovere il materiale di guarnizione situato intorno all'apertura.

**Vedi fig. 10, pagina 5****AVVISO!**

Osservare le indicazioni del produttore del mastice.

- Sigillare i fori e le cavità delle viti con un composto sigillante butilico flessibile non indurente (ad es. SikaLastomer-710, Selleys Butyl Mastic, Bostik ezycalk butyl sealant, o prodotti simili).

### 8.4 Posa dei cavi di collegamento

**PERICOLO! Pericolo di folgorazione**

Prima di eseguire i lavori sui componenti elettrici azionati, assicurarsi che non vi sia tensione!

Il climatizzatore a tetto deve essere collegato a un circuito elettrico che sia in grado di fornire la corrente necessaria (vedi Specifiche tecniche nel manuale di istruzioni).

- Scegliere la sezione del cavo in base alla sua lunghezza:
  - Lunghezza < 7,5 m: 1,5 mm<sup>2</sup>
  - Lunghezza > 7,5 m: 2,5 mm<sup>2</sup>

**Vedi fig. 11, pagina 5**

- Praticare un'apertura su un lato per farvi passare il cavo dell'alimentazione elettrica.
- Fare passare il cavo da 240 V~ attraverso l'apertura all'interno dell'abitacolo.

## 8.5 Installazione della scatola di distribuzione dell'aria del climatizzatore a tetto



### **AVVISO! Pericolo di danni**

Prestare attenzione alla statica del tetto del veicolo. Il tetto del veicolo deve poter supportare il peso del climatizzatore a tetto. Il tetto non deve cedere sotto il peso dell'unità, né deformarsi anche dopo che è trascorso molto tempo.

**Vedi fig. 12, pagina 6**

- Orientare il telaio del tetto in base alle dimensioni dell'apertura.
- Inserire il telaio del tetto nell'apertura del tetto
- Sigillare attorno al telaio del tetto con sigillante butilico flessibile non indurente (ad es. SikaLastomer-710, Selleys Butyl Mastic, Bostik ezycaulk butyl sealant, o prodotti simili).

**Vedi fig. 13, pagina 6**

- Sollevare il climatizzatore a tetto sul tetto del veicolo.
- Posizionare il climatizzatore a tetto sulla piastra del tetto e allinearli nella scanalatura della piastra di base.  
Osservare la direzione di marcia.

### 8.5.1 Fissaggio del climatizzatore a tetto

**Vedi fig. 14, pagina 6**

- Utilizzare gli angoli della parte anteriore del pannello di base per allineare l'unità con la piastra del tetto.

## 8.5.2 Collegamento elettrico

Posizione (fig. 15, pagina 7)	Descrizione
1	Rete elettrica a 220 – 240 V~
2	Piastra dell'evaporatore
3	Cavo di comunicazione
4	Rete metallica per dissipatore
5	Piastra del condensatore
6	Valvola di inversione
7	Compressore a inverter
8	Evaporatore ventola
9	Condensatore ventola
10	Sensore aria esterna
11	Sensore dell'evaporatore
12	Sensore del condensatore
13	Sensore di scarico
14	Induttore
ye	giallo
bn	marrone
bu	blu
gn	grigio
vt	violetto
rd	rosso
wh	bianco
bk	nero

Vedi fig. 16, pagina 7

### 8.5.3 Cavo di alimentazione

- Collegare il climatizzatore a tetto all'alimentazione elettrica. Collegare i cavi (1) al rispettivo connettore per cavi (2).

### 8.5.4 Cavo di comunicazione

- Estrarre leggermente il filtro per creare una fessura per il cavo di comunicazione (3).
- Fare passare il cavo di comunicazione attraverso la fessura e posizionarlo nell'apertura.

**Vedi fig. 17, pagina 8**

- Impilare le sezioni del condotto e posizzionarle contro lo spessore del tetto: l'altezza del condotto deve corrispondere all'altezza del tetto. Oppure utilizzare la seguente tabella come guida:

Spessore tetto	Numero di sezioni del condotto
18 – 28 mm	1
28 – 38 mm	2
38 – 48 mm	3
48 – 58 mm	4
58 – 68 mm	5

**NOTA**

Per tetti più spessi è possibile acquistare ulteriori sezioni del condotto.

- Fissare il numero richiesto di sezioni del condotto sulla scatola di distribuzione dell'aria.
- Fissare la scatola di distribuzione dell'aria al soffitto fino al climatizzatore a tetto con i 4 bulloni in dotazione.

**Vedi fig. 18, pagina 8****AVVISO! Pericolo di danni**

Serrare alla coppia di serraggio specificata! Non stringere troppo!

- Serrare le viti con una chiave dinamometrica a una coppia di serraggio di  $2,5 \text{ Nm} \pm 0,3 \text{ Nm}$ .

**8.5.5 Cavo di comunicazione**

- Collegare la spina di comunicazione a 4 poli alla presa sul lato del display (2) nella scatola di distribuzione dell'aria.
- Assicurarsi che il cavo sia posizionato nella piccola apertura lontano dalla zona del filtro.
- Fissare il cavo in eccesso nei supporti.
- Spingere il filtro completamente all'interno.

**Vedi fig. 19, pagina 8**




- Fissare il coperchio centrale alla scatola di distribuzione dell'aria.

L'installazione è ora completata. Eseguire il collegamento all'alimentazione ed eseguire un test.



## 9 Specifiche tecniche

Contiene gas fluorurati ad effetto serra. Apparecchiatura sigillata ermeticamente.

	<b>FreshJet 3000</b>
Capacità di raffreddamento del compressore:	3600 W
Capacità di raffreddamento in riferimento alla norma ISO 5151:	2516 W
Capacità di riscaldamento in riferimento alla norma ISO 5151:	3107 W
Tensione nominale di ingresso:	da 220 V~ a 240 V~/50 Hz
Raffreddamento a corrente nominale:	7,5 A
Riscaldamento a corrente nominale:	6,1 A
Fusibile necessario:	10 A
Intervallo temperatura di esercizio:	da -2 °C a +52 °C
Refrigerante:	R-410A
Quantità di refrigerante:	0,650 kg
CO <sub>2</sub> equivalente:	1,357 t
Potenziale di riscaldamento globale (GWP):	2088
Classe di protezione (unità esterna):	IPX4
Lunghezza massima consigliata del veicolo (con pareti isolate):	<6 m
Dimensioni L x P x A (altezza sopra al tetto del veicolo):	997 x 665 x 240 mm
Peso:	37 kg
Ispezione/certificazione:	  

## Oorspronkelijke gebruiksaanwijzing

Lees deze handleiding voor de montage en ingebruikname zorgvuldig door en bewaar hem op een veilige plaats. Geef deze handleiding bij doorverkoop van het toestel door aan de nieuwe gebruiker.

## Inhoudsopgave

1	Verklaring van de symbolen .....	82
2	Veiligheids- en inbouw instructies .....	83
3	Doelgroep van deze handleiding .....	84
4	Omvang van de levering .....	85
5	Toebehoren .....	85
6	Beoogd gebruik .....	85
7	Labels .....	86
8	Montage .....	86
9	Technische gegevens .....	93

## 1 Verklaring van de symbolen



### GEVAAR!

**Veiligheidsaanwijzing** met betrekking tot een gevaarlijke situatie die leidt tot ernstig letsel of de dood, als deze niet wordt vermeden.



### WAARSCHUWING!

**Veiligheidsaanwijzing** met betrekking tot een gevaarlijke situatie die kan leiden tot ernstig letsel of de dood, als deze niet wordt vermeden.



### VOORZICHTIG!

**Veiligheidsaanwijzing** met betrekking tot een gevaarlijke situatie die kan leiden tot licht of gemiddeld letsel, als deze niet wordt vermeden.



### LET OP!

Aanwijzing met betrekking tot een situatie die kan leiden tot materiële schade, als deze niet wordt vermeden.



### INSTRUCTIE

Meer informatie over de bediening van het product.

## 2 Veiligheids- en inbouw instructies

**Neem de veiligheidsinstructies en de voorschriften van de voertuigfabrikant en het garagebedrijf in acht.**

De fabrikant kan in de volgende gevallen niet aansprakelijk worden gesteld voor schade:

- montage- of aansluitfouten
- beschadiging van het product door mechanische invloeden en verkeerde aansluitspanning
- veranderingen aan het product zonder uitdrukkelijke toestemming van de fabrikant
- gebruik voor andere dan de in de handleiding beschreven toepassingen

### 2.1 Omgang met het toestel



#### **WAARSCHUWING!**

- Montage en reparatie van de dakairco mogen uitsluitend worden uitgevoerd door gekwalificeerd personeel dat bekend is met de betreffende gevaren en voorschriften. Door ondeskundige reparaties kunnen grote gevaren ontstaan. Neem bij reparaties contact op met het servicepunt in uw land (adressen aan de achterzijde).
- **Elektrische toestellen zijn geen speelgoed.**  
Houd elektrische toestellen buiten het bereik van kinderen of zwakbegaafden. Laat ze elektrische toestellen niet zonder toezicht gebruiken.
- Personen die door hun fysieke, zintuigelijke of mentale vermogen of door hun onervarenheid of onwetendheid niet in staat zijn het toestel veilig te gebruiken, mogen dit niet zonder toezicht of instructie door een verantwoordelijke persoon doen.
- In geval van brand mag u het bovenste deksel van de dakairco **niet** verwijderen. Gebruik in plaats daarvan goedgekeurde blusmiddelen. Gebruik geen water om branden te blussen.



#### **VOORZICHTIG!**

- De dakairco moet veilig geïnstalleerd worden, zodat deze niet naar beneden kan vallen.
- Gebruik de dakairco alleen als de behuizing en de kabels onbeschadigd zijn.
- Gebruik de dakairco niet in de buurt van ontvlambare vloeistoffen of in gesloten ruimtes.
- Zorg ervoor dat er geen brandbare voorwerpen in de buurt van de luchtuitlaat zijn opgeslagen of gemonteerd. De afstand moet minstens 50 cm bedragen.
- Grijp niet in luchtuitlaten en steek geen vreemde voorwerpen in het toestel.

**LET OP!**

- Gebruik het toestel uitsluitend op de beoogde wijze.
- De dakairco is niet geschikt voor gebruik in bouw- en landbouwmachines.
- Voer geen wijzigingen of verbouwingen uit aan het toestel.
- Rijd nooit de wasstraat in wanneer de dakairco gemonteerd is.
- Als er storingen in de koelkring optreden, moet het systeem door een gespecialiseerde firma worden gecontroleerd en naar behoren worden gerepareerd. Het koelmiddel mag in geen geval in de vrije lucht worden afgelaten.

**INSTRUCTIE**

- Informeer bij de voertuigfabrikant of na de installatie van een dakairco een keuring vereist is en of de voertuighoogte in de voertuigpapieren moet worden gewijzigd:
  - FreshJet 3000: extra hoogte 240 mm

## 2.2 Omgang met elektrische kabels

**WAARSCHUWING!**

- De elektrische aansluiting mag uitsluitend worden uitgevoerd door een gekwalificeerde elektricien.
- Het toestel moet worden geïnstalleerd in overeenstemming met de nationale voorschriften voor bedrading.

**VOORZICHTIG!**

- Leg en bevestig de kabels zodanig dat er niet over gestruikeld kan worden en dat ze niet beschadigd kunnen raken.

**LET OP!**

- Gebruik kabelgoten om kabels door wanden met scherpe randen te leggen.
- Leg geen losse of scherp geknikte kabels naast elektrisch geleidende materialen (metaal).
- Trek niet aan de kabels.

## 3 Doelgroep van deze handleiding

De aanwijzingen in deze handleiding zijn bestemd voor gekwalificeerde medewerkers van werkplaatsen die vertrouwd zijn met de van toepassing zijnde richtlijnen en veiligheidsmaatregelen.

## 4 Omvang van de levering

Nr. in afb. <b>1</b> , pagina 3	Aantal	Omschrijving
1	1	Dakairco
2	1	Dakplaat
3	1	Luchtverdeelbox (Air Distribution Box; ADB)
4	1	Centrale afdekking ADB
5	5	Kanaalsecties
6	3	Kabelverbinders
7	4	Bevestigingsschroeven
8	1	Afstandsbediening

## 5 Toebehoren

Als toebehoren verkrijgbaar (niet bij de levering inbegrepen):

Omschrijving	Artikelnr.
Aanvullende kanaalsecties (elke sectie levert 10 mm extra op)	4450017931
Langere bevestigingsschroeven (voor dakdiktes van 80 – 120 mm)	4450012023

## 6 Beoogd gebruik

De FreshJet 3000-airco's zijn ontworpen voor montage op het dak van een caravan of recreatievoertuig om verwarming en koeling door een warmtepomp te realiseren. Het toestel is bestemd voor voertuigen met daken van 20 tot 100 mm dikte. Het toestel moet zodanig worden geïnstalleerd dat het in een hoek van maximaal  $\pm 10^\circ$  ten opzichte van het horizontale vlak ligt. Het is **niet** geschikt voor huizen of woningen.

De dakairco is **niet** geschikt voor montage in bouwmachines, landbouwmachines of dergelijke werktuigen. Bij te sterke trillingen kan hij niet goed functioneren.

De werking van de dakairco is gegarandeerd voor temperaturen tussen  $-2^\circ\text{C}$  en  $52^\circ\text{C}$ .



### INSTRUCTIE

Meer informatie over dakairco's, zoals de technische omschrijving of de bedieningselementen, vindt u in de bedieningshandleiding.

## 7 Labels

Op de dakairco zijn labels aangebracht:

- Productlabel (afb. **2** 1, pagina 3), bevindt zich aan de zijkant van de elektronische doos en kan door de zijuitstroomopening worden gezien.
- Gegevensplaatje van de ADB binnen in de centrale afdekking van de ADB (afb. **3** 1, pagina 3)

Deze labels informeren de gebruiker en de installateur over de specificaties van het toestel.

## 8 Montage



### **VOORZICHTIG! Gevaar voor letsel**

De dakairco mag uitsluitend worden gemonteerd door gekwalificeerd personeel. De volgende informatie is bestemd voor technici die vertrouwd zijn met de betreffende richtlijnen en veiligheidsmaatregelen.

### 8.1 Aanwijzingen voor de montage

Lees deze montagehandleiding volledig door alvorens de dakairco te monteren.

De volgende tips en instructies moeten bij de montage van de dakairco in acht genomen worden:



### **GEVAAR! Gevaar voor elektrocutie**

Onderbreek alle stroomvoorzieningen bij werkzaamheden aan de dakairco.



### **VOORZICHTIG! Gevaar voor letsel**

- Een verkeerde montage van de dakairco kan tot onherstelbare schade aan het toestel leiden en de veiligheid van de gebruiker in gevaar brengen.
- Indien de dakairco niet volgens deze montagehandleiding wordt geïnstalleerd, kan de fabrikant niet aansprakelijk worden gesteld voor storingen noch voor de veiligheid van de dakairco, in het bijzonder niet voor lichamelijk letsel en/of materiële schade.
- Draag altijd de voorgeschreven veiligheidskleding (bijv. veiligheidsbril, veiligheidshandschoenen).



### **LET OP! Gevaar voor schade**

- Let bij de montage van de dakairco altijd op de statische constructie van het voertuig en dicht alle openingen die bij de montage zijn ontstaan af.
- Voordat u op het dak van het voertuig gaat staan, dient u na te gaan of het dak het gewicht van een persoon kan dragen. Vraag de voertuigfabrikant naar de toegestane dakbelasting.

### 8.1.1 Aanwijzingen voor het transport

- Let op de richting van de pijlen op de kartonnen doos die de bovenzijde aanduiden. Monteer de unit niet als deze ondersteboven heeft gelegen (afb. **4 A**, pagina 4).
- Draag de dakairco altijd met twee personen.
- Til de dakairco altijd op als u hem wilt verplaatsen, trek hem niet over het dak (afb. **4 B**, pagina 4).
- Gebruik niet de ventilatiesleuven om hem op te tillen (afb. **4 C**, pagina 4).

### 8.1.2 Aanwijzingen m.b.t. de montageplaats

- Controleer of door de montage van de dakairco eventueel voertuigcomponenten beschadigd kunnen raken (bijvoorbeeld lampen, kasten, deuren), alvorens de dakairco te monteren.
- Ga vóór de montage na (door de voertuigfabrikant te consulteren) of de constructie geschikt is voor het statische gewicht en de belasting van de dakairco als het voertuig in beweging is. De fabrikant van de dakairco stelt zich hiervoor niet aansprakelijk.
- De voertuigfabrikant heeft mogelijk al punten voorzien waar de opening voor de montage van de dakairco kan worden aangebracht zonder het risico de constructie te verzwakken of stroomkabels door te snijden.
- Kies als montageplaats een vlakke en voldoende effen zone in het midden van het voertuigdak tussen twee lengteprofielen.
- De dakhelling van het montagevlak mag niet meer dan 10° bedragen.
- Zorg ervoor dat er geen brandbare voorwerpen in de buurt van de luchtuitlaat zijn opgeslagen of gemonteerd. De afstand moet minstens 50 cm bedragen.
- Zorg ervoor dat er in het voertuig geen voorwerpen staan die de bevestiging van de luchtuitlaatenheid kunnen hinderen of de gekoelde luchtstroom uit de zwenkbare luchtverdelers kunnen blokkeren.
- Let om veiligheidsredenen bij de montage van de dakairco (bij boren en vastschroeven etc.) op het verloop van aanwezige, met name onzichtbare kabelstrengen, leidingen en andere componenten die zich in het montagebereik bevinden.

### 8.1.3 Aanwijzingen m.b.t. het elektrische systeem

- De dakairco mag uitsluitend door een gekwalificeerde elektricien op de stroomvoorziening worden aangesloten.
- Controleer of de spanning op het typeplaatje overeenkomt met de aanwezige energievoorziening.

- Leg geen losse of scherp geknikte kabels naast elektrisch geleidend materiaal (metaal).
- Installeer een netschakelaar voor alle polen met een contactopening van minstens 3 mm in de installatie.
- Zorg ervoor dat de netspanningsvoorziening een aardlekschakelaar bevat.
- Zorg ervoor dat de aarddraad van de airco is verbonden met het aardingsstelsel van het voertuig.

De dakairco kan op twee manieren worden gemonteerd:

- Door een nieuwe opening aan te brengen (hoofdstuk „Nieuwe opening maken” op pagina 88). In dit geval moet de opening worden versterkt met een geschikt frame.
- Door een bestaande opening in het voertuig te gebruiken, bijvoorbeeld van een dakraam of bij vervanging van een oude airco (hoofdstuk „In een bestaande opening monteren” op pagina 89).

## 8.2 Nieuwe opening maken

**Zie afb. 5, pagina 4**

- Kies een plek in het midden van het dak tussen twee lengteprofielen.
- Markeer de positie en afmetingen van de opening (bij voorkeur 400 x 400 mm of optioneel 360 x 360 mm).

**Zie afb. 6, pagina 4**

- Boor de hoeken uit **(A)**.
- Zaag de opening zorgvuldig in het dak met behulp van een decoupeerzaag of een soortgelijk gereedschap **(B)**.
- Zorg ervoor dat er geen elektrische kabels beschadigd raken.

**Zie afb. 7, pagina 5**

- Bepaal voor de montage of de dakopening versterkt moet worden.
- Verwijder, indien nodig, de schuimvulling in overeenstemming met de breedte van uw versterkingslijsten (niet bij de levering inbegrepen) **(A)**.
- Pas de versterkingslijsten erin **(B)**.
- Breng eventueel een geschikt H-frame aan om het dak te versterken.



## 8.3 In een bestaande opening monteren



### INSTRUCTIE

- Bestaande dakraamopeningen in overeenstemming met afb. **8**, pagina 5 zijn geschikt voor montage van een dakairco.
- Voer al het afvalmateriaal, inclusief lijm, silicone en afdichtingen gescheiden af. Neem hierbij de afvoervoorschriften in acht.
- De fabrikant is alleen aansprakelijk voor de onderdelen die bij de levering zijn inbegrepen. Bij de montage van het toestel samen met onderdelen van andere fabrikanten vervalt de aanspraak op garantie.

### Zie afb. **8**, pagina 5

- Verwijder alle schroeven en bevestigingselementen van het bestaande dakraam of de bestaande airco.
- Verwijder het dakraam of de airco.

### Zie afb. **9**, pagina 5

- Verwijder het afdichtmateriaal rond de opening met een schraper of een soortgelijk gereedschap.

### Zie afb. **10**, pagina 5



### LET OP!

Neem de instructies van de fabrikant van het afdichtingsmiddel in acht.

- Dicht de schroefgaten en holtes af met een flexibele butyleenkit die niet hard wordt (bijv. Sikalastomer-710, Selleys Butyl Mastic, Bostik Ezycalk butyl sealant of vergelijkbare producten).

## 8.4 Verbindingskabels leggen



### GEVAAR! Gevaar voor elektrocutie

Zorg ervoor dat er geen spanning meer op elektrische componenten staat, alvorens werkzaamheden eraan uit te voeren!

De dakairco moet op een stroomkring worden aangesloten die in staat is de benodigde stroom te leveren (zie „Technische gegevens“ in de bedieningshandleiding).

- Kies de kabeldiameter overeenkomstig de kabellengte:
  - Lengte < 7,5 m: 1,5 mm<sup>2</sup>
  - Lengte > 7,5 m: 2,5 mm<sup>2</sup>

**Zie afb. 11, pagina 5**

- Maak een opening aan één zijde voor de doorvoer van de stroomkabel.
- Leg de 240V~ -kabel door de opening in het interieur van het voertuig.

**8.5 ADB van de dakairco monteren****LET OP! Gevaar voor schade**

Houd rekening met de structurele sterkte van het voertuigdak. Het voertuigdak moet het gewicht van de dakairco kunnen dragen. Het dak mag door het gewicht van de eenheid, ook op lange termijn, niet worden ingedeukt of vervormd.

**Zie afb. 12, pagina 6**

- Richt het dakframe aan de hand van de afmetingen van de opening.
- Pas het dakframe in de dakopening.
- Dicht het dakframe rondom af met een flexibele butyleenkit die niet hard wordt (bijv. SikaLastomer-710, Selleys Butyl Mastic, Bostik Ezycalk butyl sealant of vergelijkbare producten).

**Zie afb. 13, pagina 6**

- Til de dakairco op het dak van het voertuig.
- Plaats de dakairco op de dakplaat en lijn hem uit in de groef in de basisplaat. Houd rekening met de rijrichting.

**8.5.1 Dakairco bevestigen****Zie afb. 14, pagina 6**

- Gebruik de hoeken aan de voorzijde van de basisplaat om de eenheid op één lijn te brengen met de dakplaat.

**8.5.2 Elektrische aansluiting**

Item (afb. 15, pagina 7)	Omschrijving
1	220 – 240 V~ elektriciteitsnet
2	Verdamperplaat
3	Communicatiekabel
4	Metalen raster koellichaam

Item (afb. 15, pagina 7)	Omschrijving
5	Condensorplaat
6	Omkeerklep
7	Omvormercompressor
8	Ventilatorverdamer
9	Ventilatorcondensor
10	Buitenluchtsensor
11	Verdampersensor
12	Condensorsensor
13	Uitlaatluchttemperatuursensor
14	Inductor
ye	Geel
bn	Bruin
bu	Blauw
gn	Groen
vt	Paars
rd	Rood
wh	Wit
bk	Zwart

Zie afb. 16, pagina 7

### 8.5.3 Netkabel

- Sluit de dakairco aan op de netspanningsvoorziening.  
Sluit de kabels (1) elk aan op een kabelverbinder (2).

### 8.5.4 Communicatiekabel

- Trek het filter ietsje naar buiten om een gat te maken voor de communicatiekabel (3).
- Steek de communicatiekabel door het gat en plaats de leiding in de opening.

Zie afb. 17, pagina 8

- Stapel de kanaalsecties en vergelijk ze met de dakdikte: de kanaalhoogte moet overeenkomen met de dakdikte. Of gebruik onderstaande tabel als richtlijn:

Dakdikte	Aantal kanaalsecties
18 – 28 mm	1
28 – 38 mm	2
38 – 48 mm	3
48 – 58 mm	4
58 – 68 mm	5



### INSTRUCTIE

Voor dikkere daken kunnen er extra kanaalsecties worden besteld.

- Bevestig het vereiste aantal kanaalsecties aan de ADB.
- Bevestig de ADB met de 4 meegeleverde schroeven door de dakairco heen aan het plafond.

**Zie afb. 18, pagina 8**



### LET OP! Gevaar voor schade

Neem het aangegeven aanhaalmoment in acht. Draai de schroeven niet te vast!

- Draai de schroeven vast met een momentsleutel tot een aanhaalmoment van  $2,5 \text{ Nm} \pm 0,3 \text{ Nm}$ .

## 8.5.5 Communicatiekabel

- Steek de communicatiestekker met 4 pennen in de stekkerbus aan de zijkant van het display (2) in de ADB.
- Zorg ervoor dat de kabel zich in de smalle opening weg van de filterzone bevindt.
- Borg overtollige kabel in de houders.
- Druk het filter er weer helemaal in.

**Zie afb. 19, pagina 8**

- Klik de centrale afdekking op de ADB.

De montage is nu voltooid. Sluit de eenheid aan op de stroomvoorziening en controleer de werking.

## 9 Technische gegevens

Bevat gefluoreerde broeikasgassen. Hermetisch afgesloten systeem.

	<b>FreshJet 3000</b>
Koelvermogen compressor:	3600 W
Koelvermogen volgens ISO 5151:	2516 W
Verwarmingsvermogen volgens ISO 5151:	3107 W
Nominale ingangsspanning:	220 V~ tot 240 V~/50 Hz
Nominale stroom koeling:	7,5 A
Nominale stroom verwarming:	6,1 A
Benodigde zekering:	10 A
Bedrijfstemperatuurbereik:	-2 °C tot +52 °C
Koelmiddel:	R-410A
Koelmiddelhoeveelheid:	0,650 kg
CO <sub>2</sub> -equivalent:	1,357 t
Aardopwarmingsvermogen (global warming potential; GWP):	2088
Beschermklasse (buiteneenheid):	IPX4
Aanbevolen max. voertuiglengte (met geïsoleerde wanden):	< 6 m
Afmetingen l x b x h (hoogte boven voertuigdak):	997 x 665 x 240 mm
Gewicht:	37 kg
Keuring/certificering:	  

## Original brugsanvisning

Læs denne vejledning omhyggeligt før montering og ibrugtagning, og opbevar den sikkert. Giv den til brugeren, hvis du giver apparatet videre.

## Indholdsfortegnelse

1	Forklaring af symbolerne .....	94
2	Sikkerheds- og installationshenvisninger .....	95
3	Målgruppe for denne vejledning .....	96
4	Leveringsomfang .....	97
5	Tilbehør .....	97
6	Korrekt brug .....	97
7	Mærkater .....	98
8	Montering .....	98
9	Tekniske data .....	105

## 1 Forklaring af symbolerne



### FARE!

**Sikkerhedshenvisning** til en farlig situation, der medfører død eller alvorlige kvæstelser, hvis den ikke undgås.



### ADVARSEL!

**Sikkerhedshenvisning** til en farlig situation, der kan medføre død eller alvorlige kvæstelser, hvis den ikke undgås.



### FORSIGTIG!

**Sikkerhedshenvisning** til en farlig situation, der kan medføre lette eller mindre kvæstelser, hvis den ikke undgås.



### VIGTIGT!

Henvisning til en situation, der kan medføre materielle skader, hvis den ikke undgås.



### BEMÆRK

Supplerende informationer om betjening af produktet.

## 2 Sikkerheds- og installationshenvisninger

### Overhold de foreskrevne sikkerhedshenvisninger og bestemmelser fra køretøjsproducenten og serviceværkstedet.

Producenten påtager sig intet ansvar for skader i følgende tilfælde:

- Monterings- eller tilslutningsfejl
- Beskadigelser på apparatet på grund af mekanisk påvirkning og forket tilslutningsspænding
- Ændringer på produktet uden udtrykkelig tilladelse fra producenten
- Anvendelse til andre formål end dem, der er beskrevet i vejledningen

### 2.1 Omgang med apparatet



#### ADVARSEL!

- Montering af og reparationer på tagklima anlægget må kun foretages af fagfolk, der kender farerne, der er forbundet hermed, og de pågældende forskrifter. Ved ukorrekte reparationer kan der opstå betydelige farer. Ved reparationer skal du henvende dig til serviceafdelingen i dit land (adresser på bagsiden).
- **El-apparater er ikke legetøj!**  
Børn er ikke i stand til at vurdere farer, der udgår fra elektriske apparater. Lad ikke børn benytte elektriske apparater uden opsyn.
- Personer, der på grund af deres fysiske, sanse- eller mentale evner eller deres uerfarenhed og uvidenhed ikke er i stand til at anvende apparatet sikkert, bør kun anvende dette produkt under en ansvarlig persons opsyn eller anvisning.
- Løsn i tilfælde af brand **ikke** det øverste dæksel på tagklima anlægget. Anvend i stedet for tilladte brandslukningsmidler. Anvend ikke vand til slukning.



#### FORSIGTIG!

- Tagklima anlægget skal installeres sikkert, så det ikke kan falde ned.
- Anvend kun tagklima anlægget, hvis kabinettet og ledningerne er ubeskadigede.
- Anvend ikke tagklima anlægget i nærheden af antændelige væsker eller i lukkede rum.
- Brændbare genstande må ikke placeres eller monteres, hvor luften strømmer ud. Afstanden skal være på min. 50 cm.
- Grib ikke i ventilationsudgange, og stik ikke fremmedlegemer ind i anlægget.

**VIGTIGT!**

- Anvend kun apparatet til det formål, som det er bestemt til.
- Tagklima anlægget er ikke egnet til anvendelse i landbrugs- og entreprenør-maskiner.
- Foretag ikke ændringer af apparatet eller ombygninger på det!
- Kør aldrig ind i vaske anlæg, når der er monteret et tagklima anlæg.
- Hvis der opstår fejl i kølemiddelkredsløbet, skal systemet kontrolleres af en specialvirksomhed og repareres korrekt. Kølemidlet må under ingen omstændigheder lukkes ud i atmosfæren.

**BEMÆRK**

- Kontakt køretøjsproducenten for at afklare, om et teknisk eftersyn er nødvendigt efter installation af klima anlægget, og om højden, der er noteret i indregistreringspapirerne, skal ændres.
  - FreshJet 3000: forøget højde 240 mm

## 2.2 Omgang med elektriske ledninger

**ADVARSEL!**

- Den elektriske tilslutning må kun foretages af en kvalificeret elektriker.
- Apparatet skal installeres i overensstemmelse med nationale forskrifter for ledningsføring.

**FORSIGTIG!**

- Fastgør og træk ledningerne, så man ikke kan falde over eller beskadige dem.

**VIGTIGT!**

- Anvend kabelkanaler til at trække kabler gennem vægge med skarpe kanter.
- Træk ikke ledninger løst eller med skarpe knæk ved elektrisk ledende materialer (metal).
- Træk ikke i kablerne.

## 3 Målgruppe for denne vejledning

Denne vejledning henvender sig til fagfolk i værksteder, der kender forskrifterne og sikkerhedsforanstaltningerne, der skal anvendes.



## 4 Leveringsomfang

Nr. på fig. 1, side 3	Antal	Betegnelse
1	1	Tagklimaanlæg
2	1	Tagplade
3	1	Luftfordelingsboks (ADB)
4	1	Midterdæksel til ADB
5	5	Kanalafsnit
6	3	Kabelforbindelser
7	4	Fastgørelsesskruer
8	1	Fjernbetjening

## 5 Tilbehør

Kan fås som tilbehør (ikke indeholdt i leveringsomfanget):

Betegnelse	Art.nr.
Forlængelse kanalafsnit (hvert afsnit dækker yderligere 10 mm)	4450017931
Længere fastgørelsesskruer (til tagtykkelse på 80 – 120 mm)	4450012023

## 6 Korrekt brug

FreshJet 3000 klimaanlæggene er beregnet til montering på taget på en campingvogn eller fritidskøretøj for at give opvarmning og køling med varmepumpe. Apparatet er beregnet til køretøjer med tage, som er fra 20 til 100 mm tykke. Apparatet skal installeres, så det er inden for  $\pm 10^\circ$  af det horisontale niveau. Det er **ikke** egnet til huse og lejligheder.

Tagklimaanlægget er **ikke** egnet til montering i entreprenørmaskiner, landbrugsmaskiner eller lignende arbejdsudstyr. Det fungerer ikke korrekt, hvis det udsættes for kraftige vibrationer.

Tagklimaanlæggets funktion er garanteret for temperaturer mellem  $-2^\circ\text{C}$  og  $52^\circ\text{C}$ .



### BEMÆRK

Yderligere informationer om tagklimaanlægget som f.eks. den tekniske beskrivelse eller betjeningen findes i betjeningsvejledningen.

## 7 Mærkater

Der er fastgjort mærkater på tagklimaanlægget:

- Produktmærkat (fig. **2** 1, side 3), placeret på siden af E-boksen og kan ses gennem sideåbningen.
- ADB-datamærkat i midterdækslet til ADB (fig. **3** 1, side 3)

Disse mærkater informerer brugeren og installatøren om apparatets specifikationer.

## 8 Montering



### **FORSIGTIG! Vær opmærksom på kvæstelser**

Tagklimaanlægget må udelukkende installeres af kvalificeret personale. De efterfølgende informationer henvender sig til fagfolk, der kender forskrifterne og sikkerhedsforanstaltningerne, der skal anvendes.

### 8.1 Henvisning vedrørende montering

Før tagklimaanlægget monteres, skal denne monteringsvejledning læses fuldstændigt.

Følgende tips og henvisninger skal overholdes, når tagklimaanlægget til monteres:



### **FARE! Livsfare på grund af elektrisk stød!**

Afbryd alle spændingsforsyninger, når der arbejdes på tagklimaanlægget.



### **FORSIGTIG! Vær opmærksom på kvæstelser**

- En forkert montering af tagklimaanlægget kan føre til skader på apparatet, der ikke kan repareres, og kan reducere brugerens sikkerhed.
- Hvis tagklimaanlægget ikke installeres i overensstemmelse med denne monteringsvejledning, hæfter producenten hverken for driftsfejl eller for sikkerheden af tagklimaanlægget og især ikke for kvæstelser og/eller materielle skader.
- Bær den foreskrevne beskyttelsesbeklædning (f.eks. beskyttelsesbriller, beskyttelseshandsker) ved alle arbejder.



### **VIGTIGT! Fare for skade**

- Vær altid opmærksom på køretøjets ligevægt og på at tætnede alle åbninger, der er opstået ved monteringen, når tagklimaanlægget installeres.
- Før du går op på køretøjets tag, skal du kontrollere, om det kan bære en persons vægt. Der kan forespørges om tilladte tagbelastninger hos køretøjsproducenten.

### 8.1.1 Henvisning vedrørende transporten

- Vær opmærksom på, hvordan pilen på papkassen, der peger opad, vender. Installér ikke enheden, hvis den blevet vendt på hovedet i en tidperiode (fig. **4 A**, side 4).
- Vær altid to om at bære tagklimaanelægget.
- Løft altid tagklimaanelægget, hvis du vil flytte det, og træk det aldrig hen over taget (fig. **4 B**, side 4).
- Anvend ikke ventilationsåbningerne til at løfte det (fig. **4 C**, side 4).

### 8.1.2 Henvisning vedrørende monteringsstedet

- Kontrollér, før tagklimaanelægget monteres, om tagklimaanelægget ved monteringen kan beskadige komponenter i køretøjet (f.eks. lamper, skabe, døre osv.).
- Find (ved at kontakte køretøjsproducenten) før monteringen ud af, om karosseriet er beregnet til den statiske vægt og belastningerne på grund af tagklimaanelægget, når køretøjet bevæger sig. Producenten af tagklimaanelægget hæfter ikke herfor.
- Køretøjsproducenten kan allerede have installeret punkter, hvor åbningen til monteringen af tagklimaanelægget kan laves uden risiko for at svække karosseriet eller at skære strømkabler over.
- Vælg en flad og tilstrækkelig jævn zone i midten mellem to længdeprofiler i køretøjets tag som monteringssted.
- Monteringsfladens taghældning må ikke være på mere end 10°.
- Brændbare genstande må ikke placeres eller monteres, hvor luften strømmer ud. Afstanden bør være på min. 50 cm.
- Kontrollér, at der i køretøjets indre ikke findes hindringer for at fastgøre luftudstrømningsenheden og for, at den afkølede luft strømmer ud gennem de drejelige luftfordelerdyser.
- Når tagklimaanelægget installeres (når der bores, skrues osv.), skal det kontrolleres, at der ikke befinder sig kabelbundter, ledninger og andre komponenter, der ikke kan ses, i monteringsområdet.

### 8.1.3 Henvisninger vedrørende el-systemet

- Lad kun en kvalificeret elektriker tilslutte tagklimaanelægget elektrisk.
- Sammenlign spændingsangivelsen på typeskiltet med energiforsyningen, der er til rådighed.
- Træk ikke ledninger, som er løse eller bøjede, ved siden af elektrisk ledende materiale (metal).
- Installér en kontakt, der afbryder alle poler, med en kontaktåbningbredde på mindst 3 mm på monteringsstedet.

- Sørg for, at netspændingsforsyningen har et fejlstrømsrelæ.
- Sørg for, at klimaanlæggets stekabel er sluttet til køretøjets stel.

Der findes to måder til at montere tagklimaanlægget:

- Etablering af en ny åbning (kapitlet „Etablering af ny åbning“ på side 100). I dette tilfælde skal åbningen forstærkes med en passende ramme.
- Anvendelse af en eksisterende åbning i køretøjet som f.eks. en taglage eller udskiftning af et gammelt klimaanlæg (kapitlet „Montering i en eksisterende åbning“ på side 100).

## 8.2 Etablering af ny åbning

Se fig. **5**, side 4

- Vælg en zone på taget i midten mellem to længdeprofiler.
- Markér åbningens position og størrelse (fortrinsvis 400 x 400 mm eller som option 360 x 360 mm).

Se fig. **6**, side 4

- Bor hjørnerne ud (**A**).
- Skær åbningen på taget omhyggeligt ud med en stiksav eller et tilsvarende værktøj (**B**).
- Sørg i den forbindelse for, at elektriske kabler ikke beskadiges.

Se fig. **7**, side 5

- Afklar før monteringen, om tagudsnittet skal forstærkes.
- Fjern om nødvendigt skummet i overensstemmelse med bredden på dine forstærkningslister (ikke i leveringsomfanget) (**A**).
- Tilpas forstærkningslisterne (**B**).
- Montér om nødvendigt en egnet H-ramme for at forstærke taget.

## 8.3 Montering i en eksisterende åbning



### BEMÆRK

- Eksisterende taglugeåbninger i overensstemmelse med fig. **8**, side 5 er egnet til montering af tagklimaanlægget.
- Bortskaf alt affaldsmateriale, lim, silicone og tætninger separat. Overhold bortskaffelsesforskrifterne.
- Producenten hæfter udelukkende for delene, der er indeholdt i leveringsomfanget. Hvis apparatet monteres sammen med andre dele, bortfalder garantien.

**Se fig. 8, side 5**

- Fjern alle skruer og fastgørelser på den eksisterende tagluger eller klimaanelæg.
- Tag taglugen eller klimaanelægget ud.

**Se fig. 9, side 5**

- Fjern tætningsmaterialet omkring åbningen med en skraber el.lign.

**Se fig. 10, side 5****VIGTIGT!**

Overhold tætningsmasseproducentens henvisninger.

- Luk skruehullerne og fordybningerne med et plastisk, ikke-hærdende butyltætningsmateriale (f.eks. SikaLastomer-710, Selleys Butyl Mastic, Bostik ezy-caulk butyltætningsmiddel eller tilsvarende produkter).

## 8.4 Trækning af tilslutningsledninger

**FARE! Livsfare på grund af elektrisk stød!**

Før arbejder på elektrisk drevne komponenter skal det kontrolleres, at der ikke længere er tilsluttet spænding!

Tagklimaanelægget skal tilsluttes til en strømkreds, der kan levere den påkrævede strøm (se tekniske data i betjeningsvejledningen).

- Vælg ledningstværsnittet i overensstemmelse med ledningslængden:
  - Længde < 7,5 m: 1,5 mm<sup>2</sup>
  - Længde > 7,5 m: 2,5 mm<sup>2</sup>

**Se fig. 11, side 5**

- Lav en åbning på en side for at føre det elektriske strømforsyningskabel igennem.
- Før 240 V~-kablet gennem åbningen og ind i køretøjet.

## 8.5 Montering af tagklimaanelægget ADB

**VIGTIGT! Risiko for beskadigelse**

Vær opmærksom på konstruktionsstyrken for køretøjets tag. Køretøjets tag skal kunne bære vægten af tagklimaanelægget. Taget må heller ikke på længere sigt trykkes ned eller forandre form på grund af enhedens vægt.

**Se fig. 12, side 6**

- Vend tagrammen i forhold til åbningens størrelse.
- Montér tagrammen i tagåbningen
- Sørg for at tætn omkring med et plastisk, ikke-hærdende butyltætningsmateriale (f.eks. SikaLastomer-710, Selleys Butyl Mastic, Bostik ezycaulk butyltætningsmiddel eller tilsvarende produkter).

**Se fig. 13, side 6**

- Løft tagklimaanelægget op på køretøjets tag.
- Placér tagklimaanelægget på tagpladen, og justér den i noten i sokkelfordybningen.  
Vær opmærksom på kørselsretningen.

**8.5.1 Fastgørelse af tagklimaanelægget****Se fig. 14, side 6**

- Anvend hjørnerne på forsiden af sokkelfordybningen til at hjælpe med at justere enheden med tagpladen.

**8.5.2 Elektrisk tilslutning**

<b>Artikel (fig. 15, side 7)</b>	<b>Betegnelse</b>
1	220 – 240 V~ netstrøm
2	Fordamperplade
3	Kommunikationsledning
4	Kølelegememetalnet
5	Kondensatorplade
6	Kontraventil
7	Inverter kompressor
8	Blæser fordamper
9	Blæser kondensator
10	Udgangsluftsensor
11	Fordampersensor
12	Kondensatorsensor
13	Udgangssensor
14	Induktor
ye	Gul

Artikel (fig. 15, side 7)	Betegnelse
bn	Brun
bu	Blå
gn	Grøn
vt	Violet
rd	Rød
wh	Hvid
bk	Sort

Se fig. 16, side 7

### 8.5.3 Strømkabel

- Forbind tagklimaanelægget med netspændingsforsyningen. Tilslut kablerne (1) til en kabelforbinder (2).

### 8.5.4 Kommunikationskabel

- Tryk filteret lidt ud for at skabe en åbning til kommunikationskablet (3).
- Før kommunikationskablet gennem åbningen, og find ledningen i åbningen.

Se fig. 17, side 8

- Stabl kanalafsnittene, og placér dem op mod tagtykkelsen: Kanalhøjden skal svare til taghøjden. Eller anvend nedenstående tabel som vejledning:

Tagtykkelse	Antal kanalafsnit
18 – 28 mm	1
28 – 38 mm	2
38 – 48 mm	3
48 – 58 mm	4
58 – 68 mm	5



#### BEMÆRK

Ekstra kanalafsnit kan købes til tykkere tage.

- Fastgør det påkrævede antal kanalafsnit på ADB.
- Fastgør ADB på loftsåbningen til tagklimaanelægget med de 4 medfølgende bolte.

Se fig. 18, side 8

**VIGTIGT! Risiko for beskadigelse**

Spænd til det anførte tilspændingsmoment. Spænd ikke for meget!

- Spænd skruerne med en momentnøgle og et tilspændingsmoment på  $2,5 \text{ Nm} \pm 0,3 \text{ Nm}$ .

### 8.5.5 Kommunikationskabel

- Tilslut kommunikationsstikket med 4 stikebn til bøsningen på siden af displayet (2) i ADB.
- Sørg for, at kablet er placeret i den lille åbning, der vender væk fra filterområdet.
- Fastgør ekstra kabel i holderne.
- Skub filteret helt ind og tilbage.

Se fig. 19, side 8




- Sæt midterdækslet på ADB.

Monteringen er nu afsluttet. Tilslut tilstrømmen, og test det.



## 9 Tekniske data

Indeholder fluorerede drivhusgasser. Hermetisk tætnet udstyr.

	<b>FreshJet 3000</b>
Kompressorens kølekapacitet:	3600 W
Kølekapacitet i henhold til ISO 5151:	2516 W
Varmekapacitet i henhold til ISO 5151:	3107 W
Nominel indgangsspænding:	220 V~ til 240 V~/50 Hz
Mærkestrøm køling:	7,5 A
Mærkestrøm opvarmning	6,1 A
Påkrævet sikring:	10 A
Driftstemperaturområde:	-2 °C til +52 °C
Kølemiddel:	R-410A
Kølemiddelmængde:	0,650 kg
CO <sub>2</sub> ækvivalent:	1,357 t
Drivhuspotentiale (GWP):	2088
Kapslingsklasse (udendørs enhed):	IPX4
Foreslået maks. køretøjshøjde (med isolerede vægge):	<6 m
Mål L x B x H (højde over køretøjets tag):	997 x 665 x 240 mm
Vægt:	37 kg
Godkendelse/certifikat:	  

## Bruksanvisning i original

Läs noga igenom instruktionsmanualen före installationen och driftstarten samt förvara den på en säker plats. Om apparaten byter ägare ska handboken följa med.

## Innehållsförteckning

1	Förklaring av symboler .....	106
2	Säkerhets- och monteringsanvisningar .....	107
3	Den här anvisningens målgrupp .....	108
4	Leveransomfattning .....	109
5	Tillbehör .....	109
6	Ändamålsenlig användning .....	109
7	Typskyltar .....	110
8	Installation .....	110
9	Tekniska data .....	117

## 1 Förklaring av symboler



### FARA!

**Säkerhetsanvisning** för en farlig situation som, om den inte går att undvika, ger upphov till dödsfall eller allvarliga personskador.



### VARNING!

**Säkerhetsanvisning** för en farlig situation som, om den inte går att undvika, kan ge upphov till dödsfall eller allvarliga personskador.



### AKTA!

**Säkerhetsanvisning** för en farlig situation som, om den inte går att undvika, kan ge upphov till en lindrig eller måttlig personskada.



### OBSERVERA!

Anvisning för en situation som, om den inte går att undvika, kan ge upphov till materiella skador.



### ANVISNING

Kompletterande information om användning av produkten.

## 2 Säkerhets- och monteringsanvisningar

### Beakta säkerhetsanvisningarna och riktlinjerna från fordonstillverkaren samt reglerna för bilmekaniska arbeten.

Tillverkaren övertar inget ansvar för skador i följande fall:

- monterings- eller anslutningsfel
- skador på produkten orsakade av mekanisk påverkan eller fel anslutningsspänning
- ändringar som utförts utan uttryckligt medgivande från tillverkaren
- ej ändamålsenlig användning

### 2.1 Hantera apparaten



#### VARNING!

- Montering av och reparationer på den takmonterade klimatanläggningen får endast genomföras av härför utbildad personal, som är förtrogen med riskerna och de gällande föreskrifterna. Icke fackmässiga reparationer kan medföra allvarliga risker. Vänd dig till ett servicekontor när det gäller reparationer (adresser finns på baksidan).
- **Elapparater är inga leksaker.**  
I samband med elektriska apparater kan det uppstå farliga situationer som barn är ovetande om. Låt inte barn använda elektriska apparater utan uppsikt.
- Personer som på grund av fysiska, sensoriska eller mentala funktionshinder eller på grund av oerfarenhet eller ovetande inte kan använda produkten på ett säkert sätt, bör inte använda denna apparat utan uppsikt eller hjälp av en ansvarig person.
- Lossa **inte** på den takmonterade klimatanläggningens övre lock i händelse av brand. Använd i stället godkända släckningsmedel. Använd inte vatten för att släcka eld.



#### AKTA!

- Den takmonterade klimatanläggningen måste installeras säkert så att den inte falla ner!
- Den takmonterade klimatanläggningen får endast användas om höljet och kablarna är oskadade.
- Använd inte klimatanläggningen i närheten av antändliga vätskor eller i slutna utrymmen.
- Se till att inga brännbara föremål är monterade eller finns i närheten av luftutsläppet. Avståndet måste vara minst 50 cm.
- Stick inte in händerna i ventilationsöppningarna, stick inte in några främmande föremål i anläggningen.

**OBSERVERA!**

- Använd endast apparaten för angivna ändamål.
- Klimatanläggningen är inte avsedd för byggmaskiner eller jordbruksmaskiner.
- Gör inga ändringar eller ombyggnader på apparaten!
- Kör aldrig in i en biltvättanläggning om en klimatanläggning har monterats på husbilens tak.
- Om det uppstår fel i kylkretsloppet måste anläggningen provas och repareras av behöriga installatörer. Köldmediet får absolut inte släppas ut i atmosfären.

**ANVISNING**

- Fråga fordonstillverkaren om uppgifterna för fordonets höjd måste ändras i fordonshandlingarna, eller en ny besiktning måste göras efter inbyggnad av den takmonterade klimatanläggningen:
  - FreshJet 3000: högre höjd 240 mm

## 2.2 Elledningar

**VARNING!**

- Elanslutningarna får endast utföras av behörig elektriker.
- Apparaten måste installeras enligt nationella bestämmelser om kabeldragning.

**AKTA!**

- Sätt fast och dra kablarna så att ingen kan snubbla över dem och så att kablarna inte kan skadas.

**OBSERVERA!**

- Använd kabelkanaler för att dra kablar genom väggar med vassa kanter.
- Lägg inte kablarna löst eller med skarpa böjar på elektriskt ledande material (metall).
- Dra inte i kablarna.

## 3 Den här anvisningens målgrupp

De här anvisningarna riktar sig till behörig personal och verkstäder som har kännedom om gällande bestämmelser och säkerhetsregler.

## 4 Leveransomfattning

nr på bild <b>1</b> , sida 3	Mängd	Beskrivning
1	1	Takmonterad klimatanläggning
2	1	Takplatta
3	1	Luftfördelningslåda (ADB)
4	1	ADB-mittkåpa
5	5	Rörsegment
6	3	Kabelklämmor
7	4	Fästskruvar
8	1	Fjärrkontroll

## 5 Tillbehör

Följande tillbehör finns tillgängliga (ingår inte i leveransen):

Beskrivning	Art.nr
Förlängda rörsegment (varje segment täcker ytterligare 10 mm)	4450017931
Längre fästskruvar (för 80 – 120 mm taktjocklek)	4450012023

## 6 Ändamålsenlig användning

Klimatanläggningarna i FreshJet 3000-serien är utformade för installation på husvagnars eller fritidsfordons tak för att alstra reverserad cyklisk uppvärmning eller kylning. Apparaten är avsedd för fordon med tak som är från 20 till 100 mm tjocka. Installera apparaten så att den är inom  $\pm 10^\circ$  av det horisontella planet. Den är **inte** avsedd att användas för hus eller lägenheter.

Den takmonterade klimatanläggningen är **inte** avsedd för byggmaskiner, jordbruksmaskiner eller andra arbetsmaskiner. Starka vibrationer inverkar negativt på anläggningens funktioner.

De takmonterade klimatanläggningen har en garanterad funktion vid temperaturer på mellan  $-2^\circ\text{C}$  och  $52^\circ\text{C}$ .



### ANVISNING

Övrig information om den takmonterade klimatanläggningen, som teknisk beskrivning och beskrivning av funktionerna/användningen finns i bruksanvisningen.

## 7 Typskyltar

Det sitter typskyltar på den takmonterade klimatanläggningen:

- Produktetikett (bild **2** 1, sida 3), placerad på .E-boxen och kan ses genom sidofläkten.
- ADB-dataetikett inuti ADB-enhetens mittkåpa (bild **3** 1, sida 3)

Typskyltarna informerar användare och installatörer om anläggningsspecifikationerna.

## 8 Installation



### **AKTA! Risk för skador**

Den takmonterade klimatanläggningen får endast installeras av behörig personal. Informationen nedan riktar sig till installatörer som har kännedom om gällande direktiv/föreskrifter och säkerhetsåtgärder.

### 8.1 Installationsanvisningar

Läs hela monteringsanvisningen innan den takmonterade klimatanläggningen monteras.

Följande tips och anvisningar måste observeras vid installationen av den takmonterade klimatanläggningen:



### **FARA! Livsfara p.g.a. elektriska stötar**

Stäng alltid av hela strömförsörjningen innan arbeten utförs på den takmonterade klimatanläggningen.



### **AKTA! Risk för skador**

- Om den takmonterade klimatanläggningen monteras på ett felaktigt sätt kan det leda till att anläggningen förstörs och/eller det kan påverka säkerheten.
- Tillverkaren övertar inte något ansvar om den takmonterade klimatanläggningen inte monteras enligt den här monteringsanvisningen; inte för driftstörningar, inte för klimatanläggningens säkerhet och speciellt inte för person- och/eller materialskador.
- Använd föreskriven skyddsutrustning vid alla arbeten (t.ex. skyddsglasögon, skyddshandskar).



### **OBSERVERA! Risk för saksador**

- Beakta fordonets statiska egenskaper och täta alla öppningar när den takmonterade klimatanläggningen monteras.
- Kontrollera om man kan stå på fordonstaket innan du går upp på taket. Inhämta information om tillåten taklast från fordonstillverkaren.

### 8.1.1 Anvisningar för transport

- Kontrollera att uppåt-pilarna pekar åt rätt håll på kartongen. Installera inte enheten om den har legat upp och ned (bild **4 A**,sida 4).
- Klimatanläggningen ska alltid bäras av två personer.
- Lyft alltid den takmonterade klimatanläggningen när den ska flyttas. Släp den inte längs med taket (bild **4 B**,sida 4).
- Använd inte ventilationsöppningarna för att lyfta den (bild **4 C**,sida 4).

### 8.1.2 Information om installationsplatsen

- Kontrollera alltid om fordonskomponenter kan skadas genom monteringen av den takmonterade klimatanläggningen (t.ex. lampor, skåp, dörrar etc) innan installationen görs.
- Kontrollera även, med hjälp av uppgifter från fordonstillverkaren, om påbyggnaden är dimensionerad för den statiska last och belastning som uppstår på grund av klimatanläggningen i körande fordon. För detta tar tillverkaren av den takmonterade klimatanläggningen inget ansvar.
- Eventuellt har fordonstillverkaren redan markerat punkter där man kan tillverka öppningen för att installera den takmonterade klimatanläggningen utan att man för den skull riskerar att försvaga konstruktionen eller bryta strömkablar.
- Välj en plan och tillräckligt jämn yta mellan två längdprofiler på mitten av fordonstaket för monteringen.
- På monteringsytan får taklutningen inte vara större än 10°.
- Se till att inga brännbara föremål är monterade eller finns i närheten av luftutsläppet. Avståndet måste vara minst 50 cm.
- Se till att det inte föreligger några hinder för monteringen av luftutsläppsenheten och att den kylda luften kan strömma ut fritt ur de vridbara luftmunstyckena.
- Var, av säkerhetsskäl, uppmärksam på existerande kablar, ledningar och andra komponenter (speciellt sådana som inte syns utifrån) vid monteringen (borrning, skruvning etc).

### 8.1.3 Information om el

- Den takmonterade klimatanläggningen får endast anslutas till elnätet med hjälp av en certifierad elektriker.
- Jämför spänningsuppgifterna på typskylten med elförsörjningen på plats.
- Lösa eller böjda kablar får inte läggas i närheten av elektriskt ledande material (metall).
- Installera en allpolig brytare med en kontaktöppningsbredd på minst 3 mm på monteringsidan.

- Kontrollera att huvudspänningskällan har en jordfelsbrytare.
- Kontrollera att klimatanläggningens jordningskabel är ansluten till fordonets jordningssystem.

Den takmonterade klimatanläggningen kan installeras på två olika sätt:

- Tillverka en ny öppning (kapitel "Tillverka en ny öppning" på sidan 112). I det här fallet måste man stärka öppningen med en lämplig ram.
- Använd en befintlig öppning i fordonet som en taklucka eller byta ut en gammal klimatanläggning (kapitel "Installera i en befintlig öppning" på sidan 112).

## 8.2 Tillverka en ny öppning

### Se bild **5**, sida 4

- Välj ett område mitt på taket mellan två längdprofiler.
- Märk ut öppningens läge och storlek (helst 400 x 400 mm eller som alternativ 360 x 360 mm).

### Se bild **6**, sida 4

- Borra hörnen (**A**).
- Skär noggrant ut en öppning i taket med en sticksåg eller dylikt (**B**).
- Se till att inga elkablar skadas.

### Se bild **7**, sida 5

- Kontrollera om taköppningen måste förstärkas före monteringen.
- Ta vid behov bort en del av skumfyllningen så att det motsvarar förstärkningslisternas bredd (ingår ej i leveransen) (**A**).
- Montera förstärkningslisterna (**B**).
- Montera vid behov till en H-ram för att ge stöd åt taket.

## 8.3 Installera i en befintlig öppning



### ANVISNING

- Befintliga taklucköppningar enligt bild **8**, sida 5 är avsedda för installation av den takmonterade klimatanläggningen.
- Sortera avfallet separat, ta hand om lim, silikon och tätningar. Beakta gällande bestämmelser för avfallshantering.
- Tillverkaren övertar endast ansvar för komponenter som ingår i leveransen. Vid montering av anläggningen tillsammans med delar som inte hör till produkten bortfaller garantin.



**Se bild 8, sida 5**

- Ta bort alla skruvar och fixturer från den befintliga takluckan eller klimatanläggningen.
- Ta ut takluckan eller klimatanläggningen.

**Se bild 9, sida 5**

- Ta bort tätningsmaterialet runt öppningen med hjälp av en skrapa el.dyl.

**Se bild 10, sida 5****OBSERVERA!**

Följ även anvisningarna från tätningsmedlets tillverkare.

- Tät skruvhålen och fördjupningarna med en flexibel icke-härdande butyl-tätningssmassa (t.ex. SikaLastomer-710, Selleys Butyl Mastic, Bostik ezycaulk butyl-tätningssmassa eller liknande produkter).

## 8.4 Dra anslutningskablarna

**FARA! Livsfara p.g.a. elektriska stötar**

Kontrollera att alla komponenter är spänningsslösa innan några arbeten utförs på elinstallationen!

Den takmonterade klimatanläggningen måste anslutas till en strömkrets som kan leverera den ström som krävs (se den tekniska datan i bruksanvisningen).

- Välj rätt kabelarea till kabelns längd:
  - Längd < 7,5 m: 1,5 mm<sup>2</sup>
  - Längd > 7,5 m: 2,5 mm<sup>2</sup>

**Se bild 11, sida 5**

- Tillverka en öppning på en sida för att mata igenom elförsörjningskabeln.
- Dra 240 V~-kabeln genom öppningen in i fordonets innerutrymme.

## 8.5 Installera den takmonterade klimatanläggningen ADB

**OBSERVERA! Risk för skador**

Beakta fordonstaketets statiska egenskaper. Fordonstaketet måste kunna bära den takmonterade klimatanläggningens vikt. Taket får inte med tiden tryckas in/deformeras på grund av enhetens vikt.

**Se bild 12, sida 6**

- Anpassa takramen efter öppningsstorleken.
- Sätt in takramen i taköppningen.
- Täta kring takramen med en flexibel icke-härdande butyl-tätningssmassa (t.ex. Sikalastomer-710, Selleys Butyl Mastic, Bostik ezycaulk butyl-tätningssmassa eller liknande produkter).

**Se bild 13, sida 6**

- Lyft upp klimatanläggningen på fordonstaket.
- Placera den takmonterade klimatanläggningen på takplattan och rikta in den i fåran i basbehållaren.  
Beakta färdriktningen.

**8.5.1 Fästa den takmonterade klimatanläggningen****Se bild 14, sida 6**

- Ta hjälp av hörnen på basbehållarens framsida för att justera enheten i förhållande till takplattan.

**8.5.2 Strömförbindelse**

Komponent (bild 15, sida 7)	Beskrivning
1	220 – 240 V~ elnät
2	Förångarplatta
3	Kommunikationsledning
4	Metallnät för värmeväxlare
5	Kondensatorplatta
6	Backventil
7	Inverterkompressor
8	Fläktförångare
9	Flätkondensator
10	Luftutsläppsgivare
11	Förångargivare
12	Kondensatorgivare
13	Avloppssensor
14	Spole
ye	gul

Komponent (bild 15, sida 7)	Beskrivning
bn	brun
bu	blå
gn	grön
vt	lila
rd	röd
wh	vit
bk	svart

Se bild 16, sida 7

### 8.5.3 Strömkabel

- Anslut den takmonterade klimatanläggningen till strömförsörjningen. Anslut kablarna (1) till en kabelklämma (2).

### 8.5.4 Kommunikationskabel

- Dra ut filtret något för att skapa ett tomrum för kommunikationskabeln (3).
- Mata kommunikationskabeln genom tomrummet och placera ledningen i öppningen.

Se bild 17, sida 8

- Stapla rörsegmenten och placera efter takets tjocklek: rörhöjden ska överensstämma med takhöjden. Eller använd den nedanstående tabellen som vägledning:

Takets tjocklek	Antal kanalsegment
18 – 28 mm	1
28 – 38 mm	2
38 – 48 mm	3
48 – 58 mm	4
58 – 68 mm	5



#### ANVISNING

Det går att köpa fler kanalsegment för tjockare tak.

- Sätt fast nödvändigt antal kanalsegment ADB-enheten.
- Sätt fast ADB-enheten i taket och i den takmonterade klimatanläggningen med de medföljande fyra skruvarna.

Se bild **18**, sida 8



**OBSERVERA! Risk för skador**

Beakta angivet åtdragningsmoment. Dra inte åt för hårt!

- Dra åt skruvarna med en momentnyckel och åtdragningsmoment  $2,5 \text{ Nm} \pm 0,3 \text{ Nm}$ .

### 8.5.5 Kommunikationskabel

- Anslut 4-stifts kommunikationskontakten till uttaget på displayens sida **(2)** i ADB-enheten.
- Kontrollera att kabeln är placerad i den lilla öppningen på avstånd från filterområdet.
- Lås fast den överblivna kabeln i hållarna.
- Tryck tillbaka filtret hela vägen in.




Se bild **19**, sida 8

- Kläm fast mittkåpan för ADB-enheten.

Nu är installationen klar. Anslut ström och prova.

## 9 Tekniska data

Innehåller fluorerade växthusgaser. Hermetiskt tillsluten utrustning.

	<b>FreshJet 3000</b>
Kompressorns kyleffekt:	3 600 W
Kyleffekt enligt ISO 5151:	2 516 W
Värmeeffekt enligt ISO 5151:	3 017 W
Nominell ingångsspänning:	220 V~ till 240 V~/50 Hz
Märkström kylning:	7,5 A
Märkström värme	6,1 A
Säkringskrav:	10 A
Omgivningstemperatur:	-2 °C till +52 °C
Köldmedium:	R-410A
Köldmediemängd:	0,650 kg
CO <sub>2</sub> motsvarande:	1,357 t
Global uppvärmningspotential (GWP):	2 088
Skyddsklass (utomhusenhet):	IPX4
Rekommenderad max. fordonslängd (med isolerade väggar):	< 6 m
Mått L x B x H (höjd över fordonets tak):	997 x 665 x 240 mm
Vikt:	37 kg
Provning/certifikat:	  

## Original bruksanvisning

Les denne veiledningen nøye før du installerer og tar i bruk apparatet, og oppbevar den på et sikkert sted. Hvis apparatet selges videre, må du sørge for å gi bruksanvisningen videre også.

## Innholdsfortegnelse

1	Symbolforklaring .....	118
2	Råd om sikkerhet og montering .....	119
3	Målgruppe for denne bruksanvisningen .....	120
4	Leveringsomfang .....	121
5	Tilbehør .....	121
6	Forskriftsmessig bruk .....	121
7	Merkeskilt .....	122
8	Installasjon .....	122
9	Tekniske spesifikasjoner .....	129

## 1 Symbolforklaring



### FARE!

**Sikkerhetshenvisning** til en faresituasjon som fører til alvorlige personskader, eventuelt med døden til følge, dersom de ikke blir unngått.



### ADVARSEL!

**Sikkerhetshenvisning** til en faresituasjon som kan føre til alvorlige personskader, eventuelt med døden til følge, dersom de ikke blir unngått.



### FORSIKTIG!

**Sikkerhetshenvisning** til en faresituasjon som kan føre til lette eller middels alvorlige personskader, dersom de ikke blir unngått.



### PASS PÅ!

Henvisning til en situasjon som kan føre til tingskader dersom den ikke blir unngått.



### MERK

Utfyllende informasjon om betjening av produktet.

## 2 Råd om sikkerhet og montering

### Følg sikkerhetsregler og vilkår fra kjøretøyprodusent og serviceverksteder.

Produsenten tar i følgende tilfeller intet ansvar for skader:

- Montasje- eller tilkoblingsfeil
- Skader på produktet på grunn av mekanisk påvirkning og feil tilkoblingspenning
- Endringer på produktet uten at det er gitt uttrykkelig godkjenning av produsenten
- Bruk til andre formål enn det som er beskrevet i veiledningen

### 2.1 Behandling av apparatet



#### ADVARSEL!

- Montering og reparasjon av takklimaenlegget må kun utføres av fagfolk som kjenner til farene og gjeldende forskrifter. Usakkyndige reparasjoner kan føre til alvorlige farer. Ved behov for reparasjon kontakter du servicestedene i ditt land (adresse på baksiden).
- **Elektriske apparater er ikke leketøy.**  
Barn er ikke i stand til å bedømme farer forbundet med elektriske apparater. La ikke barn bruke elektriske apparater uten tilsyn.
- Personer som på grunn av sine fysiske, sensoriske eller mentale evner, eller på grunn av sin uerfarenhet og manglende kjennskap ikke er i stand til å bruke apparatet på en sikker måte, må ikke bruke dette apparatet uten oppsyn eller anvisning fra en ansvarlig person.
- I tilfelle brann må man **ikke** løsne det øvre dekslet på takklimaenlegget. Bruk kun lovlige slukkemidler. Ikke bruk vann til slukking.



#### FORSIKTIG!

- Takklimaenlegget må installeres på en slik måte at det ikke kan falle ned.
- Bruk takklimaenlegget kun når kapslingen og ledningene er uskadd.
- Plasser ikke takklimaenlegget i nærheten av lettantennelige væsker eller i lukkede rom.
- Påse at brennbare gjenstander ikke lagres eller monteres i nærheten av luftuttakene. Det må overholdes en avstand på minst 50 cm.
- Ta ikke inn i lufteåpningene, og før ikke fremmedlegemer inn i anlegget.



#### PASS PÅ!

- Bruk apparatet kun til sitt tiltenkte formål.
- Takklimaenlegget er ikke egnet for bruk i jordbruks- og anleggsmaskiner.
- Ikke foreta endringer eller ombygging av apparatet!

- Hvis bobilen har påbygd takklimaenlegg, må du under ingen omstendighet kjøre bilen i vaskemaskin.
- Hvis det oppstår feil i kjølemiddelkretsløpet, må anlegget kontrolleres av fagfolk og settes forskriftsmessig i stand. Kjølemiddelet må under ingen omstendighet etterlates i friluft.

**MERK**

- Spør kjøretøyprodusenten om det er nødvendig med en teknisk inspeksjon etter montering av et klimaenlegg, og om høyden som er oppført i vognkortet, må endres:
  - FreshJet 3000: økt høyde 240 mm

## 2.2 Håndtering av elektriske ledninger

**ADVARSEL!**

- Den elektriske tilkoblingen må kun utføres av en fagelektriker.
- Apparatet skal monteres i samsvar med nasjonale forskrifter for kabellegging.

**FORSIKTIG!**

- Fest og legg ledningene slik at man ikke snubler i dem, og slik at man unngår å skade kabelen.

**PASS PÅ!**

- Bruk kabelkanaler for å legge kabler gjennom vegger med skarpe kanter.
- Ikke legg ledninger løst eller skarpt bøyd på materiell som leder elektrisk strøm (metall).
- Ikke trekk i kablene.

## 3 Målgruppe for denne bruksanvisningen

Denne veiledningen er beregnet på fagfolk i verksteder som er fortrolig med retningslinjene og sikkerhetsforanstaltningene.



## 4 Leveringsomfang

Pos. i fig. 1, side 3	Antall	Beskrivelse
1	1	Takklimaanlegg
2	1	Takplate
3	1	Luftfordelingsboks (ADB)
4	1	ADB midtdeksel
5	5	Kanalavsnitt
6	3	Kabelkontakter
7	4	Festeskruer
8	1	Fjernkontroll

## 5 Tilbehør

Tilgjengelig som tilbehør (ikke inkludert i leveransen):

Beskrivelse	Art.nr.
Kanalavsnittsforlengere (hvert avsnitt dekker ytterligere 10 mm)	4450017931
Lengre festeskruer (for 80 – 120 mm taktykkelse)	4450012023

## 6 Forskriftsmessig bruk

FreshJet 3000-klimaaneleggene er konstruert for montasje på taket av en campingbil eller fritidskjøretøy for å by på oppvarming og kjøling med varmepumpe. Apparatet er ment for kjøretøy med tak som har en tykkelse på 20 til 100 mm. Enheten må monteres slik at den er innenfor  $\pm 10^\circ$  av horisontalt plan. Den er **ikke** egnet for hus og leiligheter.

Takklimaanlegget er **ikke** egnet for montering i anleggsmaskiner, jordbruksmaskiner eller lignende anleggsutstyr. Ved for kraftig vibrasjon er ikke forskriftsmessig funksjon lenger garantert.

Funksjonen til takklimaanlegget er garantert for temperaturer mellom  $-2^\circ\text{C}$  og  $52^\circ\text{C}$ .



### MERK

Ytterligere informasjon om takklimaanlegget, som tekniske beskrivelse eller betjening, finner du i bruksanvisningen.

## 7 Merkeskilt

Merkeskilt er festet til takklimaenlegget:

- Produktmerke (fig. **2** 1, side 3), plassert på siden av elektronikkboksen og kan sees gjennom ventilasjonsåpningen på siden.
- ADB datamerkelapp inne i ADB-midtdেকেlet (fig. **3** 1, side 3)

Disse skiltene gir brukeren og installatøren informasjon om spesifikasjonene til apparatet.

## 8 Installasjon



### **FORSIKTIG! Fare for personskader**

Installasjon av takklimaenlegget må kun utføres av fagfolk. Den følgende informasjonen er beregnet på fagfolk som er fortrolig med bestemmelsene og sikkerhetstiltakene som gjelder.

### 8.1 Råd vedrørende installasjon

Før montering av takklimaenlegget, må man lese hele montasjeveiledningen.

Følgende tips og henvisninger må følges ved montering av takklimaenlegget:



### **FARE! Fare for elektrisk støt**

Ved arbeid på takklimaenlegget må alle spenningsforsyninger frakobles.



### **FORSIKTIG! Fare for personskader**

- Feil montering av takklimaenlegget kan føre til skader på apparatet som ikke lar seg reparere, og det kan gå ut over brukerens sikkerhet.
- Hvis takklimaenlegget ikke installeres iht. til denne monteringsanvisningen, påtar produsenten seg intet ansvar, ikke for driftsfeil og ikke for sikkerheten til takklimaenlegget, og spesielt ikke for skader på personer og/eller eiendom.
- Ved alt arbeid må man bruke foreskrevne verneklær (f.eks. vernebriller, vernehansker).



### **PASS PÅ! Fare for ødeleggelse**

- Ved innbygging av takklimaenlegget må man alltid passe på kjøretøyets stivhet, og at man tetter igjen alle åpninger som er laget under innbyggingen.
- Før du går opp på taket på kjøretøyet, må du undersøke om taket tåler at folk går på det. Kjøretøyprodusenten kan gi informasjon om tillatt takbelastning.

### 8.1.1 Tips for transport

- Ta hensyn til plasseringen av opp-pilene på kartongen. Ikke installer enheten dersom den har vært opp-ned en stund (fig. **4 A**, side 4).
- Vær alltid to personer ved bæring av takklimaenlegget.
- Når takklimaenlegget skal flyttes, må det løftes, ikke trekk det over taket (fig. **4 B**, side 4).
- Under løfting må ikke de bakre lufteåpningene benyttes (fig. **4 C**, side 4).

### 8.1.2 Råd vedrørende monteringssted

- Før man monterer takklimaenlegget, må man undersøke om eventuelle kjøretøykomponenter kan bli skadet ved montasjen (f.eks. lamper, skap, dører).
- Før montasjen må du finne ut (ved å rådføre deg med kjøretøyprodusenten) om karosseriet tåler den statiske vekten og belastningene fra klimaenlegget når kjøretøyet er i bevegelse, samt fra arbeidsomgivelsene (landbruk, lager osv.). Produsenten av takklimaenlegget påtar seg intet ansvar.
- Kjøretøyprodusenten har kanskje allerede laget punkter hvor åpningen for montasje av takklimaenlegget kan foretas uten risiko for å svekke konstruksjonen eller kutte strømledninger.
- Som montasjested velger du et område som er flatt og jevnt midt på taket av kjøretøyet mellom to lengdeprofiler.
- Takhellingen til montasjeplaten må ikke være mer enn 10°.
- Påse at brennbare gjenstander ikke lagres eller monteres i nærheten av luftuttakene. Det må overholdes en avstand på minst 50 cm.
- Sørg for å få fastslått at det ikke er noe inne i kjøretøyet som hindrer feste av luftutløpsenheter, og at den avkjølte luften kan slippe ut gjennom de svingbare luftfordelingsdysene.
- Ved montasje av takklimaenlegget må man av sikkerhetsmessige grunner passe på (ved boring og skruing osv.) føringen av kabler og andre komponenter som ikke er synlige, og som befinner seg i montasjeområdet!

### 8.1.3 Tips for elektronikken

- Takklimaenlegget må kun kobles til strømmen av en fagperson.
- Kontrollen spenningsspesifikasjonene på merkeskiltet stemmer overens med den foreliggende strømforsyningen.
- Ikke legg ledninger som er løse eller skarpt bøyd på materiell som leder elektrisk strøm (metall).
- Installer en flerpolet bryter med en kontaktåpningsbredde på minst 3 mm på installasjonssiden.
- Forsikre deg om at nettspenningsforsyningen har en jordfeilbryter.

- Kontroller at godsledningen til klimaanlegget er koblet til bilens gods.

Det er to måter å montere takklimaanlegget på:

- Opprette en ny åpning (kapittel «Lage ny åpning» på side 124). I dette tilfellet må åpningen forsterkes med en passende ramme.
- Bruk av en eksisterende åpning i kjøretøyet slik som en takluke eller utskifting av et gammelt klimaanlegg (kapittel «Montere i en eksisterende åpning» på side 124).

## 8.2 Lage ny åpning

**Se fig. 5, side 4**

- Velg et område midt på taket mellom to lengdeprofiler.
- Marker posisjonen og størrelsen på åpningen (helst 400 x 400 mm eller alternativt 360 x 360 mm).

**Se fig. 6, side 4**

- Bor ut hjørnene (A).
- Sag ut åpningen på taket forsiktig med en stikksag eller et lignende verktøy (B).
- Pass på at strømkabler ikke blir skadet.

**Se fig. 7, side 5**

- Før innmonteringen må du avklare om takutsparingen må forsterkes.
- Fjern om nødvendig skummingen avhengig av bredden på forsterkingslistene (ikke inkludert) (A).
- Tilpass forsterkingslistene (B).
- Tilpass om nødvendig en egnet H-ramme for å gi taket forsterkning.

## 8.3 Montere i en eksisterende åpning



### MERK

- Eksisterende taklukeåpninger i samsvar med fig. 8, side 5 er egnet for montasje av takklimaanlegget.
- Kasser alt avfallsmateriale, lim, silikon og tetninger atskilt. Følg retningslinjene for deponering.
- Produsenten er kun ansvarlig for komponenter som inngår i leveringsomfanget. Hvis anlegget monteres sammen med fremmede komponenter, bortfaller garantien.

**Se fig. 8, side 5**

- Fjern alle skruer og fester på den eksisterende takluken eller klimaanlegget.
- Ta ut takluken eller klimaanlegget.

**Se fig. 9, side 5**

- Fjern tetningsmaterialet rundt åpningen med en skrape e.l.

**Se fig. 10, side 5****PASS PÅ!**

Følg også tipsene fra produsenten av tetningsmidlet.

- Tett skruehullene og fordypninger med plastisk, ikke-herdet butyltetningsstoff (f.eks. SikaLastomer-710, Selleys Butyl Mastic, Bostik ezycaulk butyltetningsstoff eller lignende produkter).

## 8.4 Legge tilkoblingsledninger

**FARE! Fare for elektrisk støt**

Før man utfører arbeid på elektrisk drevne komponenter, må man forsikre seg om at alt er spenningsløst!

Takklimateanlegget må kobles til en strømkurs som er i stand til å levere den nødvendige strømmen (se tekniske spesifikasjoner i bruksanvisningen).

- Velg ledningsdiameter i samsvar med ledningslengden:
  - Lengde < 7,5 m: 1,5 mm<sup>2</sup>
  - Lengde > 7,5 m: 2,5 mm<sup>2</sup>

**Se fig. 11, side 5**

- Lag en åpning på en side for å føre den elektriske strømforsyningskabelen gjennom.
- Legg 240 V~ -ledningen gjennom åpningen og inn i kjøretøyet.

## 8.5 Montere takklimaanlegget ADB

**PASS PÅ! Fare for skader**

Ta hensyn til stivheten til taket. Kjøretøytaket må tåle vekten av takklimaanlegget. Taket må tåle vekten av enheten også over lengre tid uten at det blir inntrykt eller forandrer form.

**Se fig. 12, side 6**

- Orienter takrammen ut fra åpningens størrelse.
- Tilpass takrammen i takåpningen.
- Tett rundt takrammen med plastisk, ikke-herdet butyltetningsstoff (f.eks. Sik-aLastomer-710, Selleys Butyl Mastic, Bostik ezycaulk butyltetningsstoff eller lignende produkter).

**Se fig. 13, side 6**

- Løft takklimaenlegget opp på taket av kjøretøyet.
- Plasser takklimaenlegget på takplaten og juster det inn i sporet på holderen. Vær oppmerksom på kjøreretningen.

### 8.5.1 Feste takklimaenlegget

**Se fig. 14, side 6**

- Bruk hjørnene foran på holderen som en hjelp til å justere enheten opp mot takplaten.

### 8.5.2 Elektrisk tilkobling

Element (fig. 15, side 7)	Beskrivelse
1	220 – 240 V~ nettstrøm
2	Fordamperplate
3	Kommunikasjonskabel
4	Kjøle-metallnett
5	Kondensatorplate
6	Omstyringsventil
7	Vekselretterkompressor
8	Vifte fordamper
9	Vifte kondensator
10	Uteluftsensor
11	Fordampersensor
12	Kondensatorsensor
13	Utslippssensor
14	Induktor
ye	yellow (gul)
bn	brown (brun)

Element (fig. 15, side 7)	Beskrivelse
bu	blue (blå)
gn	green (grønn)
vt	violet (fiolett)
rd	red (rød)
wh	white (hvit)
bk	black (svart)

Se fig. 16, side 7

### 8.5.3 Strømkabel

- Koble takklimaenlegget til nettspenningsforsyningen.  
Koble kablene (1) til en kabelklemme (2).

### 8.5.4 Kommunikasjonskabel

- Dra ut filteret litt for å skape litt plass for kommunikasjonskabelen (3).
- Før kommunikasjonskabelen gjennom åpningen og plasser ledningen i åpningen.

Se fig. 17, side 8

- Stable kanalavsnittene og plasser dem opp mot taktykkelsen: kanalhøyden bør matche takhøyden. Eller bruk tabellen nedenfor som veiledning:

Taktykkelse	Antall kanalavsnitt
18 – 28 mm	1
28 – 38 mm	2
38 – 48 mm	3
48 – 58 mm	4
58 – 68 mm	5



#### MERK

Ekstra kanalavsnitt kan kjøpes for tykkere tak.

- Fest det nødvendige antallet kanalavsnitt på ADB.
- Fest ADB til taket via takklimaenlegget med de 4 medleverte boltene.

Se fig. 18, side 8



**PASS PÅ! Fare for skader**

Overhold angitt tiltrekkingsmoment! Ikke stram til for mye!

- Trekk til skruene med en momentnøkkel og et tiltrekkingsmoment på  $2,5 \text{ Nm} \pm 0,3 \text{ Nm}$ .

### 8.5.5 Kommunikasjonskabel

- Koble den 4-polede kommunikasjonspluggen inn i kontakten på siden av displayet (2) i ADB.
- Sørg for at kabelen er plassert i den smale åpningen som peker vekk fra filterområdet.
- Sikre overflødig kabel i holderne.
- Trekk filteret helt inn igjen.

Se fig. 19, side 8




- Klips fast senterdekselet til ADB.

Montasjen er nå fullført. Koble til strømmen og test.



## 9 Tekniske spesifikasjoner

Inneholder fluoriserte drivhusgasser. Hermetisk tett utstyr.

	<b>FreshJet 3000</b>
Kompressorkjøleeffekt:	3600 W
Kjøleeffekt iht. ISO 5151:	2516 W
Varmeeffekt iht. ISO 5151:	3107 W
Nominell inngangsspenning:	220 V~ til 240 V~ / 50 Hz
Nominell strøm, kjøling:	7,5 A
Nominell strøm, oppvarming:	6,1 A
Nødvendig sikringsstørrelse:	10 A
Driftstemperaturområde:	-2 °C til +52 °C
Kjølemiddel:	R-410A
Kjølemiddelmengde:	0,650 kg
CO <sub>2</sub> -ekvivalent:	1,357 t
GWP-verdi:	2088
Beskyttelsesklasse (utendørs enhet):	IPX4
Anbefalt maks. kjøretøylengde (med isolerte vegger):	<6 m
Mål L x B x H (høyde over kjøretøytaket):	997 x 665 x 240 mm
Vekt:	37 kg
Inspeksjon/sertifisering:	  

## Alkuperäiset ohjeet

**Lue tämä käyttöohje huolellisesti läpi ennen laitteen asentamista ja käyttöön ottamista, ja säilytä ohje varmassa paikassa. Jos myyt laitteen eteenpäin, anna ohje tällöin edelleen uudelle käyttäjälle.**

## Sisällysluettelo

1	Symbolien selitykset.....	130
2	Turvallisuus- ja asennusohjeita .....	131
3	Tämän käyttöohjeen kohderyhmä .....	132
4	Toimituskokonaisuus .....	133
5	Lisävarusteet .....	133
6	Käyttötarkoitus .....	133
7	Merkkikilvet.....	134
8	Asennus .....	134
9	Tekniset tiedot.....	141

## 1 Symbolien selitykset



### VAARA!

**Turvallisuusohje** koskien vaaratilannetta, joka johtaa kuolemaan tai vakavaan vammaan, jos tilannetta ei vältetä.



### VAROITUS!

**Turvallisuusohje** koskien vaaratilannetta, joka voi johtaa kuolemaan tai vakavaan vammaan, jos tilannetta ei vältetä.



### HUOMIO!

**Turvallisuusohje** koskien vaaratilannetta, joka voi johtaa lievään tai kohtalaiseen vammaan, jos tilannetta ei vältetä.



### HUOMAUTUS!

Ohje koskien tilannetta, joka voi johtaa esinevahinkoihin, jos sitä ei vältetä.



### OHJE

Tuotteen käyttöä koskevia lisätietoja.

## 2 Turvallisuus- ja asennusohjeita

### **Noudata ajoneuvon valmistajan ja autoalan ammattiipiirien antamia turvallisuusohjeita ja vaatimuksia.**

Valmistaja ei ota mitään vastuuta vahingoista seuraavissa tapauksissa:

- asennus- tai liitännävirheet
- laite on vaurioitunut mekaanisten tekijöiden vaikutuksesta ja väärän liitännäjännitteen vuoksi
- tuotteeseen ilman valmistajan nimenomaista lupaa tehdyt muutokset
- käyttö muuhun kuin käyttöohjeessa ilmoitettuun tarkoitukseen

### 2.1 Laitteen käsittely



#### **VAROITUS!**

- Kattoilmastointilaitteen saavat asentaa ja sitä saavat korjata vain ammattimiehet, jotka tuntevat töihin liittyvät vaarat sekä niitä koskevat määräykset. Virheellisesti suoritetuista korjaustoista saattaa aiheutua huomattavia vaaroja. Käänny oman maasi huoltokilijikkeen puoleen, jos laite tarvitsee korjausta (osoitteet takasivulla).
- **Sähkölaitteet eivät ole leikkikaluja.**  
Lapset eivät osaa arvioida sähkölaitteista aiheutuvia vaaroja oikein. Älä anna lasten käyttää sähkölaitteita ilman valvontaa.
- Sellaisten henkilöiden, jotka eivät voi käyttää laitetta turvallisesti fyysisten, sensoristen tai psyykkisten taitojensa takia tai kokemattomuuden tai tietämättömyyden vuoksi, ei tulisi käyttää sitä ilman valvontaa tai vastuullisen henkilön opastusta.
- **Älä** irrota tulipalotapauksessa kattoilmastointilaitteen ylempää kantta. Käytä sen sijaan hyväksytyjä sammutusvälineitä. Älä käytä sammuttamiseen vettä.



#### **HUOMIO!**

- Kattoilmastointilaitte täytyy asentaa niin vakaasti, että se ei voi pudota.
- Käytä kattoilmastointilaitetta vain, kun laitteen kotelossa ja johtimissa ei ole vaurioita.
- Älä aseta kattoilmastointilaitetta syttyvien nesteiden lähelle tai suljettuihin tiloihin.
- Huolehdi siitä, että syttyviä esineitä ei varastoida tai asenneta ilman ulostulon alueelle. Etäisyyden täytyy olla aina vähintään 50 cm.
- Älä työnnä käsiä tuuletusrilään tai tuuletussuuttimiin, älä laita laitteistoon vieraita esineitä.

**HUOMAUTUS!**

- Käytä laitetta ainoastaan sille määriteltyyn käyttötarkoitukseen.
- Kattoilmastointilaitte ei sovi käytettäväksi maatalous- ja rakennuskoneissa.
- Älä tee laitteeseen mitään muutoksia.
- Matkailuautoa ei saa missään tapauksessa ajaa pesulinjaan, kun kattoilmastointilaitte on asennettuna.
- Jos jäähdytyskierrossa ilmenee vika, järjestelmä tulee tarkastaa ammattiliik-  
keessä ja korjata asianmukaisesti. Jäähdytysainetta ei saa missään tapauksessa päästää ilmaan.

**OHJE**

- Tarkasta ajoneuvosi valmistajalta, vaatikko kattoilmastointilaitteen asentami-  
nen uuden katsastuksen ja pitääkö ajoneuvon korkeusmerkintää muuttaa ajo-  
neuvon papereissa:
  - FreshJet 3000: korkeuden lisäys 240 mm

## 2.2 Sähköjohtimien käsittely

**VAROITUS!**

- Sähköiset liitännät saa tehdä ainoastaan sähköalan ammattilainen.
- Laitte on asennettava kansallisten johdotusmääräysten mukaisesti.

**HUOMIO!**

- Kiinnitä ja sijoita johdot siten, että niihin ei voi kompastua ja että johdot eivät  
voi vaurioitua.

**HUOMAUTUS!**

- Käytä johtokanavia johtojen vetämiseen teräväreunaisten seinien läpi.
- Älä aseta irrallisia tai teräville taitteille asetettuja johtimia sähköä johtavien  
materiaalien (metalli) päälle.
- Älä vedä johdosta.

## 3 Tämän käyttöohjeen kohderyhmä

Tämä käyttöohje on tarkoitettu korjaamoiden ammattihenkilökunnalle, joka tun-  
tee sovellettavat direktiivit ja turvajärjestelyt.

## 4 Toimituskokonaisuus

Kohde kuva <b>1</b> , sivulla 3	Määrä	Kuvaus
1	1	Kattoilmastointilaite
2	1	Kattolevy
3	1	Ilmanjakolaatikko (ADB)
4	1	Ilmanjakolaatikko-keskikansi
5	5	Kanavan osat
6	3	Johtokiinnittimet
7	4	Kiinnitysruuvit
8	1	Kaukosäädin

## 5 Lisävarusteet

Saatavissa lisävarusteena (ei sisälly toimituskokonaisuuteen):

Kuvaus	Tuotenro
Kanavan jatko-osat (jokainen osa lisää pituutta 10 mm)	4450017931
Pidemmät kiinnitysruuvit (80 – 120 mm:n kattopakasuuksille)	4450012023

## 6 Käyttötarkoitus

FreshJet 3000 -ilmastointilaitteet on suunniteltu asennettavaksi asuntovaunun tai matkailuauton katolle lämpöpumppulämmitystä ja -jäähdytystä varten. Laite on tarkoitettu ajoneuvoihin, joiden katon paksuus on 20–100 mm. Laite tulee asentaa niin, että sen asento poikkeaa vaakatasosta enintään  $\pm 10^\circ$ . Se **ei** sovi taloihin tai asuntoihin.

Kattoilmastointilaite **ei** sovi asennettaviksi rakennuskoneisiin, maatalouskoneisiin tai muihin vastaaviin työkoneisiin. Liian voimakkaan värinävaikutuksen aikana asiamukainen toiminta ei ole taattu.

Kattoilmastointilaitteen toiminta taataan lämpötilan ollessa  $-2^\circ\text{C}$ :n ja  $52^\circ\text{C}$ :n välillä.



### OHJE

Löydät lisätietoja – kuten teknisen kuvauksen tai ohjauslaitteet – kattoilmastointilaitteista käyttöohjeesta .

## 7 Merkkikilvet

Kattoilmastointilaitteeseen on kiinnitetty merkkikilpiä:

- Tuotekilpi (kuva **2** 1, sivulla 3), sijaitsee elektroniikkarasian puolella ja näkyy sivulla olevan ilma-aukon läpi.
- Ilmanjakolaatikko-tietokilpi Ilmanjakolaatikko -keskikannen sisäpuolella (kuva **3** 1, sivulla 3)

Nämä merkkikilvet ilmaisevat käyttäjälle ja asentajalle laitteen spesifikaatiot.

## 8 Asennus



### **HUOMIO! Loukkaantumisvaara**

Kattoilmastointilaitteen saa asentaa yksinomaan siihen pätevä henkilökunta. Seuraavat tiedot on suunnattu ammattilaisille, jotka tuntevat sovellettavat direktiivit ja turvajärjestelyt.

### 8.1 Asennusohje

Tämä asennusohje täytyy lukea kokonaan ennen kattoilmastointilaitteen asentamista.

Seuraavia vinkkejä ja ohjeita tulee noudattaa kattoilmastointilaitetta asennettaessa:



### **VAARA! Sähköiskusta johtuva hengenvaara**

Katkaise kaikki jännitteensyötöt kattoilmastointilaitetta koskevien töiden ajaksi.



### **HUOMIO! Loukkaantumisvaara**

- Kattoilmastointilaitteen väärä asentaminen voi johtaa laitteen peruuttamattomaan vahingoittumiseen ja heikentää käyttäjän turvallisuutta.
- Jos kattoilmastointilaitetta ei asenneta tämän asennusohjeen mukaisesti, valmistaja ei ota mitään vastuuta, ei toimintahäiriöistä eikä kattoilmastointilaitteen turvallisuudesta, eikä erityisesti henkilö- ja/tai materiaalivahingoista.
- Käytä kaikissa töissä määrättyä suojavarustusta (esim. suojalaseja, suojakäsineitä).



### **HUOMAUTUS! Varo mahdollisia vaurioita**

- Ota kattoilmastointilaitetta asentaessasi aina huomioon ajoneuvon statiikka ja kaikkien asennuksen yhteydessä syntyneiden aukkojen tiivistäminen.
- Tarkista ennen ajoneuvon katolle nousemista, kestäkö se ihmisen painon. Sallitut kattokuormat voit kysyä ajoneuvon valmistajalta.

### 8.1.1 Kuljetusohjeita

- Huomaa pakkauslaatikon ylös-nuolten suunta. Älä asenna yksikköä, jos se on ollut yhtään ylösalaisin (kuva **4 A**, sivulla 4).
- Kanna kattoilmastointilaitetta aina kahden hengen voimin.
- Nosta kattoilmastointilaitetta aina laitteen liikuttamista varten. Älä vedä ilmastointilaitetta koskaan kattoa pitkin (kuva **4 B**, sivulla 4).
- Älä nosta laitetta tuuletusraoista (kuva **4 C**, sivulla 4).

### 8.1.2 Asennuspaikkaa koskeva ohje

- Tarkasta ennen kattoilmastointilaitteen asennusta, voiko kattoilmastointilaitteen kiinnittäminen mahdollisesti vahingoittaa ajoneuvon osia (esim. lamput, kaapit, ovet jne.).
- Varmista (ajoneuvon valmistajalta) ennen asennusta, onko korirakenne suunniteltu ilmastointilaitteen aiheuttamaa painoa ja liikkuvassa ajoneuvossa ilmeviä kuormituksia vastaavasti. Kattoilmastointilaitteen valmistaja ei ota mitään vastuuta.
- Ajoneuvon valmistaja on saattanut jo luoda paikkoja, johon kattoilmastointilaitteen vaatima aukko voidaan tehdä ilman, että se heikentää rakennetta tai johtaa sähköjohtojen katkeamiseen.
- Valitse asennuspaikaksi suora ja riittävän tasainen alue ajoneuvon katon keskikohdalta kahden pitkittäisprofiilin välistä.
- Katon asennuspinnan kallistuma ei saa olla yli 10°.
- Huolehdi siitä, että syttyviä esineitä ei varastoida tai asenneta ilman ulostulon alueelle. Etäisyyden tulisi olla aina vähintään 50 cm.
- Varmista, että ajoneuvon sisällä ei ole mitään estettä, joka voi haitata ilmanpoistoyksikön kiinnittämistä ja jäähdytetyn ilman ulostuloa käännetyistä ilmanjakosuuttimista.
- Kiinnitä ennen kattoilmastointilaitteen asentamista (porattaessa ja ruuvattaessa jne.) turvallisuussyistä huomiota asennuspaikassa valmiina olevien, erityisesti näkymättömissä olevien johtonippujen, johdinten ja muiden osien kulkuun.

### 8.1.3 Sähkölaitteita koskevia ohjeita

- Anna kattoilmastointilaitteen sähköinen liittäminen aina alan ammattilaisen tehtäväksi.
- Vertaa tyyppikilven jännitetietoja käytettävissä olevaan energiansyöttöön.
- Älä sijoita irrallisia tai taivutettuja johtoja sähköä johtavan materiaalin (metalli) viereen.
- Asenna asennuspuolelle kaikki navat kytkevä katkaisin, jonka kärkiväli on vähintään 3 mm.

- Varmista, että jännitteensyötössä on vikavirtakatkaisin.
- Varmista, että ilmastointilaitteen maadoitusjohto on yhdistetty ajoneuvon maadoitusjärjestelmään.

Kattoilmastointilaitte voidaan asentaa kahdella tavalla:

- Uuden aukon tekeminen (kap. "Uuden aukon tekeminen" sivulla 136). Tässä tapauksessa aukko täytyy vahvistaa sopivalla kehyksellä.
- Ajoneuvon olemassa olevan aukon käyttäminen – esimerkiksi kattoluukku tai vanhan ilmastointilaitteen korvaaminen (kap. "Asennus olemassa olevaan aukkoon" sivulla 136).

## 8.2 Uuden aukon tekeminen

### Katso kuva **5**, sivulla 4

- Valitse katolta keskellä oleva alue kahden pitkittäisprofiilin välissä.
- Merkitse aukon paikka ja koko (mieluiten 400 x 400 mm tai vaihtoehtoisesti 360 x 360 mm).

### Katso kuva **6**, sivulla 4

- Pora kulmiin reiät (**A**).
- Saha aukko kattoon huolellisesti pistosahalla tms. työkalulla (**B**).
- Huolehdi siitä, että sähköjohtoja ei vahingoiteta tässä yhteydessä.

### Katso kuva **7**, sivulla 5

- Selvitä ennen asennusta, tuleeko katon aukkoa vahvistaa.
- Tarvittaessa poista vaahto vahvistuslistojen (eivät sisälly toimitukseen) leveydeltä (**A**).
- Sovita vahvistuslistat (**B**) paikoilleen.
- Tarvittaessa asenna sopiva H-kehys vahvistamaan kattoa.

## 8.3 Asennus olemassa olevaan aukkoon



### OHJE

- Valmiita kattoluukkuaukkoja, joiden mitat vastaavat kohtaa kuva **8**, sivulla 5 voidaan käyttää kattoilmastointilaitteen asentamiseen.
- Hävitä kaikki jätemateriaali, liima, silikonit ja tiivisteet erikseen. Noudata hävitysmääräyksiä.
- Valmistaja vastaa ainoastaan toimituskokonaisuuteen kuuluvista osista. Takuu raukeaa, jos laitteiston asentamiseen käytetään tuotteeseen kuulumattomia osia.



**Katso kuva 8, sivulla 5**

- Poista kaikki olemassa olevan kattoluukun tai ilmastointilaitteen ruuvit ja kiinnittimet.
- Ota kattoluukku tai ilmastointilaitte pois.

**Katso kuva 9, sivulla 5**

- Poista aukon ympärillä olevat tiivisteet pois kaapimella tms.

**Katso kuva 10, sivulla 5****HUOMAUTUS!**

Noudata myös tiivisteainevalmistajan ohjeita.

- Tiivistä ruuvinreiät ja syvennykset joustavalla, kovettumattomalla butyylitiivistemassalla (esim. SikaLastomer-710, Selleys Butyl Mastic, Bostik ezycaulk - butyylitiivisteaine tai vastaava tuote).

## 8.4 Liitäntäjohtojen vetäminen

**VAARA! Sähköiskusta johtuva hengenvaara**

Ennen kaikkia sähköisesti toimiviin osiin liittyviä töitä täytyy varmistaa, että osat ovat jännitteettömiä!

Kattoilmastointilaitte täytyy liittää sähköpiiriin, joka kykenee antamaan vaadittavan virran (katso tekniset tiedot käyttöohjeesta).

- Valitse johdon poikkipinta-ala johdon pituutta vastaavasti:
  - Pituus < 7,5 m: 1,5 mm<sup>2</sup>
  - Pituus > 7,5 m: 2,5 mm<sup>2</sup>

**Katso kuva 11, sivulla 5**

- Tee toiselle puolelle reikä, jotta voit viedä sähkönsyöttöjohdon läpi.
- Vedä 240 V~ -johto aukon läpi ajoneuvon sisätilaan.

## 8.5 Kattoilmastointilaitteen ilmanjakolaatikon asentaminen

**HUOMAUTUS! Vaurioitumisvaara**

Ota huomioon ajoneuvon katon statiikka. Ajoneuvon katon täytyy kestää kattoilmastointilaitteen paino. Katto ei saa painua pitkänkään ajan kuluessa yksikön painosta sisään tai muuttaa muotoaan.

**Katso kuva 12, sivulla 6**

- Valitse kattokehys aukon kokoa vastaavasti.
- Sovita kattokehys kattoaukkoon
- Tiivistä kattokehys ympäri joustavalla, kovettumattomalla butyylitiivistemassalla (esim. Sikalastomer-710, Selleys Butyl Mastic, Bostik ezycaulk -butyylitiivistaine tai vastaava tuote).

**Katso kuva 13, sivulla 6**

- Nosta kattoilmastointilaite ajoneuvon katolle.
- Aseta kattoilmastointilaite kattolevyllä ja kohdistu peruslevyn uraan. Ota ajosuunta huomioon.

**8.5.1 Kattoilmastointilaitteen kiinnittäminen****Katso kuva 14, sivulla 6**

- Käytä peruslevyn etuosan kulmia apuna suunnatessasi yksikköä kattolevyyn.

**8.5.2 Sähköinen liitäntä**

Kohta (kuva 15, sivulla 7)	Kuvaus
1	220 – 240 V~ verkkovirta
2	Höyrystinlevy
3	Tietoliikennejohto
4	Lämpöriipa-metalliverkko
5	Lauhdutinlevy
6	Kääntöventtiili
7	Invertterikompressori
8	Tuuletin, höyrystin
9	Tuuletin, lauhdutin
10	Ulkoilma-anturi
11	Höyrystinanturi
12	Lauhdutinanturi
13	Tyhjennysanturi
14	Käämi
ye	keltainen
bn	ruskea
bu	sininen

Kohta (kuva 15, sivulla 7)	Kuvaus
gn	vihreä
vt	violetti
rd	punainen
wh	valkoinen
bk	musta

**Katso kuva 16, sivulla 7**

### 8.5.3 Virtajohto

- Yhdistä kattoilmastointilaitte jännitteensyöttöön.  
Yhdistä johdot (1) kaapeliliittimiin (2).

### 8.5.4 Tietoliikennejohto

- Vedä suodatinta vähän ulos, jotta tietoliikennejohdolle (3) syntyy rako.
- Työnnä tietoliikennejohto raon läpi ja laita johto aukkoon.

**Katso kuva 17, sivulla 8**

- pinoa kanavaosat katon paksuutta vastaavasti: kanavan korkeuden tulisi olla sama kuin katon paksuuden. Käytä alla olevaa taulukkoa ohjeena:

Katon paksuus	Kanavakappaleiden määrä
18 – 28 mm	1
28 – 38 mm	2
38 – 48 mm	3
48 – 58 mm	4
58 – 68 mm	5



#### OHJE

Paksumpia kattoja varten voi tilata lisää kanavakappaleita.

- Liitä ilmanjakolaatikkoon tarvittava määrä kanavakappaleita.
- Kiinnitä ilmanjakolaatikko sisäkaton läpi kattoilmastointilaitteeseen 4:llä mukana toimitetulla ruuvilla.

**Katso kuva 18, sivulla 8**



**HUOMAUTUS! Vaurioitumisvaara**

Noudata ilmoitettua kiristysmomenttia. Älä kiristä liikaa!

- Kiristä ruuvit momenttiavaimella ja 2,5 Nm ±0,3 Nm:n vääntömomenttia käyttäen.

### 8.5.5 Tietoliikennejohto

- Yhdistä tietoliikenteen 4-napainen pistoke liittimeen, joka on näytön puolella (2) ilmanjakolaatikossa.
- Varmista, että johto pienessä aukossa etäällä suodatinalueelta.
- Kiinnitä ylimääräinen johto pidikkeisiin.
- Työnnä suodatin takaisin kokonaan sisään.

**Katso kuva 19, sivulla 8**

- Kiinnitä keskikansi ilmanjakolaatikkoon.

Asennus on nyt valmis. Liitä virransyöttöön ja testaa.

## 9 Tekniset tiedot

Sisältää fluorattuja kasvihuonekaasuja. Hermeettisesti suljettu laite.

	<b>FreshJet 3000</b>
Kompressorin jäähdytysteho:	3600 W
Jäähdytysteho ISO 5151:a vastaavasti:	2516 W
Lämmitysteho ISO 5151:a vastaavasti:	3107 W
Nimellinen tulojännite:	220 V~ – 240 V~ / 50 Hz
Nimellisvirta, jäähdytys:	7,5 A
Nimellisvirta, lämmitys:	6,1 A
Tarvittava sulake:	10 A
Käyttölämpötila-alue:	-2 °C ... +52 °C
Kylmäaine:	R-410A
Kylmäaineen määrä:	0,650 kg
CO <sub>2</sub> -ekvivalentti:	1,357 t
Vaikutus ilmaston lämpenemiseen (GWP):	2088
Suojausluokka (ulkoyksikkö):	IPX4
Suosittelun maks. ajoneuvopituus (eristetyt seinät):	<6 m
Mitat P x L x K (korkeus ajoneuvon katon yläpuolella):	997 x 665 x 240 mm
Paino:	37 kg
Tarkastus/sertifikaatti:	  

## Оригинальная инструкция по эксплуатации

**Прочтите данную инструкцию перед монтажом и вводом в эксплуатацию и сохраните ее. В случае передачи прибора передайте инструкцию следующему пользователю.**

## Оглавление

1	Пояснение к символам .....	142
2	Указания по технике безопасности и монтажу .....	143
3	Целевая группа данного руководства .....	145
4	Комплект поставки .....	145
5	Принадлежности .....	145
6	Использование по назначению .....	146
7	Заводские таблички .....	146
8	Монтаж .....	146
9	Технические характеристики .....	154

## 1 Пояснение к символам



### **ОПАСНОСТЬ!**

**Указание по технике безопасности**, указывающее на опасную ситуацию, которая ведет к смерти или серьезной травме, если ее не предотвратить.



### **ПРЕДУПРЕЖДЕНИЕ!**

**Указание по технике безопасности**, указывающее на опасную ситуацию, которая может привести к смерти или серьезной травме, если ее не предотвратить.



### **ОСТОРОЖНО!**

**Указание по технике безопасности**, указывающее на опасную ситуацию, которая может привести к травмам легкой или средней тяжести, если ее не предотвратить.



### **ВНИМАНИЕ!**

Указание на ситуацию, которая может привести к материальному ущербу, если ее не предотвратить.

**УКАЗАНИЕ**

Дополнительная информация по управлению продуктом.

## 2 Указания по технике безопасности и монтажу

**Соблюдайте инструкции по технике безопасности изготовителя автомобиля и правила техники безопасности, установленные в автомастерской.**

Изготовитель не несет никакой ответственности за ущерб в следующих случаях:

- Ошибки монтажа или подключения
- Повреждения продукта из-за механических воздействий и неверного напряжения питания
- Изменения в продукте, выполненные без однозначного разрешения изготовителя
- Использование в целях, отличных от указанных в данной инструкции

### 2.1 Обращение с устройством

**ПРЕДУПРЕЖДЕНИЕ!**

- Монтаж и ремонт напольного кондиционера разрешается выполнять только специалистам, знакомым с возможными опасностями и с соответствующими стандартами и предписаниями. Если ремонт выполнен неправильно, эксплуатация устройства может представлять опасность. При необходимости ремонта обратитесь в сервисный центр в вашей стране (адреса указаны на обороте).
- **Электроприборы не являются детскими игрушками.**  
Дети не в состоянии правильно оценить опасности, исходящие от устройств. Не оставляйте детей пользоваться электроприборами без присмотра.
- Лица, которые в связи с ограниченными физическими, сенсорными или умственными способностями или с недостатком опыта или знаний, не в состоянии пользоваться устройством, не должны использовать устройство без постоянного присмотра или инструктажа ответственными за них лицами.
- В случае пожара **не** снимайте верхнюю крышку кондиционера. Используйте допущенные средства пожаротушения. Не используйте воду для тушения пожара.

**ОСТОРОЖНО!**

- Накрышный кондиционер должен быть установлен так, чтобы исключить опасность его падения.
- Эксплуатируйте кондиционер только в том случае, если корпус и провода не имеют повреждений.
- Не эксплуатируйте накрышный кондиционер вблизи легковоспламеняющихся жидкостей или в закрытых помещениях.
- Следите за тем, чтобы горючие предметы не складировались и не устанавливались в зоне выхода воздуха. Расстояние должно составлять не менее 50 см.
- Не вводите руки в выходные вентиляционные отверстия и не вводите инородные предметы в накрышный кондиционер.

**ВНИМАНИЕ!**

- Используйте устройство только по назначению.
- Накрышный кондиционер не пригоден для эксплуатации на сельскохозяйственных и строительных машинах.
- Не выполняйте никаких изменений и переделок на приборе.
- При установленном накрышном кондиционере запрещается въезд кемпера в автомобильную мойку.
- При возникновении неисправностей в контуре хладагента он должен быть проверен и отремонтирован специализированной мастерской. Категорически запрещается сбрасывать хладагент в атмосферу.

**УКАЗАНИЕ**

- Выясните у изготовителя вашего автомобиля, не требуется ли в связи с установкой накрышного кондиционера приемные испытания и изменение записи о высоте автомобиля в документации на автомобиль.
  - FreshJet 3000: увеличение высоты на 240 мм

## 2.2 Обращение с электрическими проводами

**ПРЕДУПРЕЖДЕНИЕ!**

- Подключение к электрической сети разрешается выполнять только квалифицированному электрику.
- Устройство должно быть установлено в соответствии с национальными правилами электропроводки.

**ОСТОРОЖНО!**

- Крепите и прокладывайте провода так, чтобы исключить возможность повреждения кабеля и провода не препятствовали проходу.



**ВНИМАНИЕ!**

- Если необходимо провести электрические провода через стенки с острыми краями, то используйте металлорукава или кабельные вводы!
- Не прокладывайте незакрепленные или сильно изогнутые провода по электропроводящим материалам (металлу).
- Не тяните за кабели.

### 3 Целевая группа данного руководства

Данная инструкция предназначена для сотрудников мастерских, которые знакомы с применяемыми директивами и мерами безопасности.

### 4 Комплект поставки

Поз. на рис. <b>1</b> , стр. 3	Количество	Описание
1	1	Накрышный кондиционер
2	1	Верхний лист
3	1	Воздухораспределитель (ADB)
4	1	Центральная крышка ADB
5	5	Секции воздуховода
6	3	Кабельные соединители
7	4	Крепежные винты
8	1	Пульт дистанционного управления

### 5 Принадлежности

Продается в качестве принадлежности (не входит в комплект поставки):

Описание	Арт. №
Удлинительные секции воздуховода (каждая секция покрывает дополнительные 10 мм)	4450017931
Удлиненные крепежные винты (для толщины крыши от 80 до 120 мм)	4450012023

## 6 Использование по назначению

Кондиционеры FreshJet 3000 предназначены для установки на крыше автофургона или жилого прицепа с целью обеспечения отопления реверсивным циклом и охлаждения. Устройство предназначено для автомобилей с крышей толщиной от 20 до 100 мм. Кондиционер должно быть установлен таким образом, чтобы он находился в пределах  $\pm 10^\circ$  от горизонтальной плоскости. Он **не** предназначен для домов и квартир.

Накрышный кондиционер **не** пригоден для монтажа на строительных и сельскохозяйственных машинах или аналогичном рабочем оборудовании. При сильных вибрациях не гарантируется надлежащая работа.

Накрышный кондиционер эффективно функционирует при температурах между  $-2^\circ\text{C}$  и  $52^\circ\text{C}$ .



### УКАЗАНИЕ

Дальнейшая информация о накрышном кондиционере, как, например, техническое описание и управление, приведена в инструкции по эксплуатации.

## 7 Заводские таблички

На накрышке кондиционера размещены заводские таблички:

- Этикетка изделия (рис. **2** 1, стр. 3), расположенная на боковой стороне блока электроники и видная через боковое отверстие.
- Этикетка ADB внутри центральной крышки ADB (рис. **3** 1, стр. 3)

Они информируют пользователя и монтажника о технических характеристиках прибора.

## 8 Монтаж



### ОСТОРОЖНО! Опасность травмирования

Монтаж накрышного кондиционера разрешается выполнять только обученным этому специалистам. Последующая информация предназначена для специалистов, которые знакомы с применяемыми директивами и мерами безопасности.

### 8.1 Указания по монтажу

Перед монтажом кондиционера необходимо полностью прочесть инструкцию по монтажу.

Следующие указания и советы следует соблюдать при монтаже кондиционера:



### **ОПАСНОСТЬ! Опасность для жизни из-за поражения электрическим током**

При работах на кондиционере всегда прерывайте электропитание.



### **ОСТОРОЖНО! Опасность травмирования**

- Неправильный монтаж кондиционера может приводить к непоправимым повреждениям прибора и отрицательно сказываться на безопасности пользователя.
- Если кондиционер не монтируется согласно данной инструкции по монтажу, то изготовитель не несет никакой ответственности ни за отказы в работе, ни за безопасность кондиционера, в частности, за травмы людей и/или материальный ущерб.
- При всех работах носите предписанную защитную одежду (например, защитные очки, защитные рукавицы).



### **ВНИМАНИЕ! Опасность повреждения**

- При монтаже кондиционера всегда учитывайте статическую устойчивость автомобиля и герметизацию всех отверстий, образующихся при монтаже.
- Перед тем, как встать на крышу автомобиля, проверьте, рассчитана ли она на нагрузку от людей. Допустимые нагрузки на крышу можно выяснить у изготовителя автомобиля.

## **8.1.1 Указания по транспортировке**

- Обратите внимание на ориентацию стрелок «вверх» на коробке. Не устанавливайте устройство, если оно было перевернуто в течение какого-либо периода времени (рис. **4 А**, стр. 4).
- Всегда переносите накрывной кондиционер вдвоем.
- В цепях перемещения всегда поднимайте кондиционер, но не тащите его по крыше (рис. **4 В**, стр. 4).
- Для подъема не используйте вентиляционные прорези (рис. **4 С**, стр. 4).

## **8.1.2 Указания по месту монтажа**

- Перед монтажом кондиционера убедитесь в том, что вследствие монтажа кондиционера не могут быть повреждены другие узлы автомобиля (например, светильники, шкафы, двери).
- Перед монтажом необходимо выяснить у изготовителя автомобиля, рассчитан ли кузов находящегося в движении автомобиля на статический вес и нагрузки, вызываемые кондиционером. Изготовитель накрывного кондиционера не несет никакой ответственности.

- Изготовитель транспортного средства, возможно, уже предоставил точки, где отверстие для установки кондиционера на крыше может быть сделано без какого-либо риска ослабления конструкции или перерезания силовых кабелей.
- В качестве места монтажа выбирайте плоскую и достаточно ровную зону в центре между двумя продольными профилями крыши автомобиля.
- Уклон крыши в месте монтажа не должен превышать 10°.
- Следите за тем, чтобы горючие предметы не складировались и не устанавливались в зоне выхода воздуха. Расстояние должно составлять не менее 50 см.
- Убедитесь в том, что внутри автомобиля отсутствуют препятствия для крепления модуля выхода воздуха и выхода охлажденного воздуха через поворотные воздушные сопла.
- В целях обеспечения безопасности учитывайте при монтаже кондиционера (при сверлении, установке винтов и т. п.) прохождение имеющихся, особенно не видимых кабелей, проводов и других компонентов, которые находятся в зоне монтажа.

### 8.1.3 Указания по электрической системе

- Доверяйте выполнение электрического подключения кондиционера только специалисту.
- Убедитесь, что значения напряжения, указанные на заводской табличке, соответствуют характеристикам имеющегося источника питания.
- Не прокладывайте незакрепленные или сильно изогнутые кабели рядом с электропроводящим материалам (металлом).
- Установите всеполюсный выключатель с шириной раскрытия контакта не менее 3 мм на стороне установки.
- Убедитесь, что в источнике сетевого напряжения имеется устройство защитного отключения.
- Убедитесь в том, что заземляющий кабель кондиционера подключен к системе заземления транспортного средства.

Существует два способа монтажа накрышного кондиционера:

- Изготовление нового отверстия (гл. «Изготовление нового отверстия» на стр. 149). В этом случае отверстие должно быть усилено соответствующей рамой.
- Использование имеющегося отверстия в автомобиле, например, люка на крыше, или замена старого кондиционера (гл. «Монтаж в существующем отверстии» на стр. 149).

## 8.2 Изготовление нового отверстия

См. рис. **5**, стр. 4

- Выберите на крыше зону в центре между двумя продольными профилями.
- Разметьте положение и размер отверстия (предпочтительно 400 x 400 мм или опционально 360 x 360 мм).

См. рис. **6**, стр. 4

- Высверлите углы (**A**).
- Осторожно вырежьте отверстие на крыше ножовкой и т. п. (**B**).
- При этом следите за тем, чтобы не повредить электрические кабели.

См. рис. **7**, стр. 5

- Перед монтажом решите, должен ли быть усилен вырез в крыше.
- При необходимости, удалите пенное вещество в соответствии с шириной крепежных планок (не входят в комплект поставки) (**A**).
- Пригоните крепежные планки (**B**).
- При необходимости, установите подходящую П-образную раму, чтобы укрепить крышу.

## 8.3 Монтаж в существующем отверстии



### УКАЗАНИЕ

- Монтаж накрывного кондиционера может быть выполнен в имеющихся отверстиях люка в крыше с размерами согласно рис. **8**, стр. 5.
- Утилизируйте отдельно все отходы материалов, клей, силикон и уплотнения. При этом соблюдайте предписания по утилизации.
- Изготовитель несет ответственность только за детали, входящие в объем поставки. При монтаже кондиционера вместе с деталями иных изготовителей гарантия теряет свою силу.

См. рис. **8**, стр. 5

- Удалите все винты и крепления существующего люка или кондиционера.
- Выньте люк или кондиционер.

См. рис. **9**, стр. 5

- Удалите уплотнительный материал вокруг отверстия шабером и т. п.

См. рис. 10, стр. 5

**ВНИМАНИЕ!**

Соблюдайте указания производителя герметика.

- Герметизируйте отверстия под винты и вырезы гибким, не затвердевающим бутиловым герметиком (например, SikaLastomer-710, Selleys Butyl Mastic, Bostik ezysaulk или аналогичными продуктами).

## 8.4 Прокладка соединительных проводов

**ОПАСНОСТЬ! Опасность для жизни из-за поражения электрическим током**

Перед работами на работающих от электрического тока узлах убедиться в отсутствии напряжения!

Кондиционер должен быть присоединен к электрической цепи, которая в состоянии подавать ток требуемой силы (см. Технические характеристики в инструкции по эксплуатации).

- Выберите поперечное сечение провода соответственно длине провода:
  - Длина < 7,5 м: 1,5 мм<sup>2</sup>
  - Длина > 7,5 м: 2,5 мм<sup>2</sup>

См. рис. 11, стр. 5

- Выполните отверстие на одной стороне, чтобы пропустить кабель электропитания.
- Проложите провод 240 В~ через отверстие внутрь автомобиля.

## 8.5 Монтаж накрывного кондиционера ADB

**ВНИМАНИЕ! Опасность повреждения**

Учитывайте статическую устойчивость крыши автомобиля. Крыша автомобиля должна быть в состоянии выдерживать вес кондиционера. Крыша не должна прогибаться или изменять свою форму под действием веса кондиционера.

См. рис. 12, стр. 6

- Ориентируйте раму в зависимости от размера проема.
- Установите раму в проем крыши.

- Герметизируйте зазор в раме гибким, не затвердевающим бутиловым герметиком (например, SikaLastomer-710, Selleys Butyl Mastic, Bostik ezycaulk или аналогичными продуктами).

**См. рис. 13, стр. 6**

- Поднимите кондиционер на крышу автомобиля.
- Поместите кондиционер на верхний лист и выровняйте его в канавке на поддоне.  
Учитывайте направление движения.

### 8.5.1 Крепление накрывного кондиционера

**См. рис. 14, стр. 6**

- Используйте углы передней части поддона, чтобы выровнять устройство.

### 8.5.2 Подключение к электрической сети

Поз. (рис. 15, стр. 7)	Описание
1	Сеть 220 – 240 В~
2	Пластина испарителя
3	Провод связи
4	Металлическая сетка теплоотвода
5	Пластина кондиционера
6	Реверсивный клапан
7	Инвертор компрессора
8	Вентилятор испарителя
9	Вентилятор конденсатора
10	Датчик выходящего воздуха
11	Датчик испарителя
12	Датчик конденсатора
13	Датчик нагнетания
14	Индуктор
ye	желтый
bn	коричневый
bu	синий
gn	зеленый
vt	фиолетовый
rd	красный

Поз. (рис. 15, стр. 7)	Описание
wh	белый
bk	черный

См. рис. 16, стр. 7

### 8.5.3 Сетевой кабель

- Соедините кондиционер с сетевым электропитанием.  
Присоедините соответствующие провода (1) к соединителям (2).

### 8.5.4 Кабель связи

- Слегка вытяните фильтр, чтобы создать зазор для кабеля связи (3).
- Пропустите кабель связи через зазор и найдите провод в отверстии.

См. рис. 17, стр. 8

- Сложите секции воздуховодов и разместите их по толщине крыши: высота воздуховода должна соответствовать высоте крыши. Или используйте для помощи приведенную ниже таблицу:

Толщина крыши	Количество секций воздуховода
18 – 28 мм	1
28 – 38 мм	2
38 – 48 мм	3
48 – 58 мм	4
58 – 68 мм	5



#### УКАЗАНИЕ

Дополнительные секции воздуховодов можно приобрести для более толстых крыш.

- Прикрепите необходимое количество секций воздуховодов к ADB.
- Прикрепите ADB к потолку через накрывной кондиционер с помощью 4 прилагаемых болтов.



См. рис. 18, стр. 8



**ВНИМАНИЕ! Опасность повреждения**

Соблюдайте указанный момент затяжки! Не перетягивайте!

- ▶ Затяните винты динамометрическим ключом с моментом затяжки  $2,5 \text{ Нм} \pm 0,3 \text{ Нм}$ .

### 8.5.5 Кабель связи

- ▶ Подключите коммуникационный 4-контактный штекер к разъему на боковой панели дисплея (2) в ADB.
- ▶ Убедитесь, что кабель расположен в небольшом отверстии вдали от зоны фильтра.
- ▶ Закрепите лишний кабель в держателях.
- ▶ Полностью вставьте фильтр обратно внутрь.




См. рис. 19, стр. 8

- ▶ Прикрепите центральную крышку к ADB.

Монтаж завершен. Подключите к электропитанию и проверьте.

## 9 Технические характеристики

Содержит фторированные парниковые газы. Герметичное оборудование.

	<b>FreshJet 3000</b>
Холодопроизводительность компрессора:	3600 Вт
Холодопроизводительность согласно ISO 5151:	2516 Вт
Теплопроизводительность согласно ISO 5151:	3107 Вт
Входное номинальное напряжение:	220 В~ - 240 В~ / 50 Гц
Номинальный ток при охлаждении:	7,5 А
Номинальный ток при обогреве:	6,1 А
Требуемый предохранитель:	10 А
Диапазон рабочих температур:	от -2 °С до +52 °С
Хладагент:	R-410А
Количество хладагента:	0,650 кг
СО <sub>2</sub> -эквивалент:	1,357 т
Потенциал глобального потепления (GWP):	2088
Класс защиты (наружный блок):	IPX4
Рекомендуемая макс. длина автомобиля: (с изолированными стенами):	<6 м
Размеры (Д x Ш x В) (высота над крышей автомобиля):	997 x 665 x 240 мм
Вес:	37 кг
Испытания/сертификат:	  

## Instrukcja oryginalna

**Przed instalacją i uruchomieniem produktu należy uważnie przeczytać niniejszą instrukcję. Instrukcję należy zachować. W razie przekazania lub odsprzedaży urządzenia należy ją przekazać kolejnemu nabywcy.**

## Spis treści

1	Objaśnienie symboli . . . . .	155
2	Wskazówki dotyczące bezpieczeństwa i montażu . . . . .	156
3	Odbiorcy instrukcji . . . . .	158
4	W zestawie . . . . .	158
5	Osprzęt . . . . .	158
6	Użytkowanie zgodne z przeznaczeniem . . . . .	158
7	Tabliczki informacyjne . . . . .	159
8	Instalacja . . . . .	159
9	Dane techniczne . . . . .	166

## 1 Objąśnienie symboli



### **NIEBEZPIECZEŃSTWO!**

**Wskazówka bezpieczeństwa** informująca o niebezpiecznej sytuacji, która – jeśli się jej nie uniknie – prowadzi do śmierci lub ciężkich obrażeń.



### **OSTRZEŻENIE!**

**Wskazówka bezpieczeństwa** informująca o niebezpiecznej sytuacji, która – jeśli się jej nie uniknie – może prowadzić do śmierci lub ciężkich obrażeń.



### **OSTROŻNIE!**

**Wskazówka bezpieczeństwa** informująca o niebezpiecznej sytuacji, która – jeśli się jej nie uniknie – może prowadzić do lekkich lub średnich obrażeń.



### **UWAGA!**

Wskazówka informująca o sytuacji, która – jeśli się jej nie uniknie – może prowadzić do powstania szkód materialnych.

**WSKAZÓWKA**

Informacje uzupełniające dotyczące obsługi produktu.

## 2 Wskazówki dotyczące bezpieczeństwa i montażu

**Należy stosować się do wskazówek bezpieczeństwa i zaleceń producenta i warsztatów serwisowych.**

Producent nie odpowiada za szkody spowodowane:

- błędami powstałymi w trakcie montażu lub podłączania
- uszkodzeniami produktu wywołanymi czynnikami mechanicznymi i niewłaściwym napięciem zasilania
- zmianami dokonanymi w produkcie bez wyraźnej zgody producenta
- użytkowaniem w celach innych niż opisane w niniejszej instrukcji

### 2.1 Korzystanie z urządzenia

**OSTRZEŻENIE!**

- Montażu i napraw klimatyzatora dachowego mogą dokonywać tylko specjaliści, którzy zapoznali się ze związanymi z tym zagrożeniami i stosownymi przepisami. Nieodpowiednio wykonane naprawy mogą być przyczyną poważnych zagrożeń. W celu przeprowadzenia naprawy należy zwrócić się do punktu serwisowego działającego w danym kraju (adresy na odwrocie).
- **Urządzenia elektryczne nie są zabawkami.** Dzieci nie są w stanie ocenić zagrożeń, które mogą one powodować. Nie pozwól dzieciom na korzystanie z urządzeń elektrycznych bez nadzoru.
- Osoby, które z powodu swych ograniczonych zdolności fizycznych, sensorycznych lub intelektualnych albo niedoświadczenia bądź niewiedzy nie są w stanie bezpiecznie używać urządzenia, nie powinny tego robić bez nadzoru i instruktażu odpowiedzialnej osoby.
- W przypadku pożaru **nie** należy zdejmować górnej pokrywy klimatyzatora dachowego, tylko użyć atestowanych środków gaśniczych. Do gaszenia nie należy używać wody.

**OSTROŻNIE!**

- Klimatyzator dachowy musi być zainstalowany sposobem uniemożliwiający jego oderwanie od powierzchni dachu.
- Nie należy używać klimatyzatora dachowego, jeśli ma uszkodzoną obudowę lub przewody.
- Nie umieszczać urządzenia w pobliżu łatwopalnych płynów lub w zamkniętych pomieszczeniach.

- Należy uważać, aby nie składować ani nie montować łatwopalnych przedmiotów w pobliżu wylotu powietrza. Odstęp musi wynosić co najmniej 50 cm.
- Nie wolno sięgać do wylotów wentylacyjnych i wkładać jakichkolwiek przedmiotów do urządzenia.

**UWAGA!**

- Urządzenie należy wykorzystywać wyłącznie zgodnie z jego przeznaczeniem.
- Klimatyzator dachowy nie jest przeznaczony do stosowania w maszynach rolniczych ani budowlanych.
- Nie należy dokonywać żadnych modyfikacji ani przebrojeń urządzenia.
- Samochodem kempingowym z zamontowanym klimatyzatorem dachowym nie można w żadnym wypadku wjeżdżać do myjni.
- W razie wystąpienia awarii w układzie chłodniczym należy zlecić kontrolę i właściwą naprawę w specjalistycznym warsztacie. Czynnika chłodniczego nie można w żadnym razie wypuszczać do atmosfery.

**WSKAZÓWKA**

- Należy dowiedzieć się od producenta pojazdu, czy ze względu na montaż klimatyzatora dachowego konieczny będzie odbiór techniczny i zmiana wysokości pojazdu w jego dokumentacji:
  - FreshJet 3000: zwiększenie wysokości o 240 mm

## 2.2 Postępowanie z przewodami elektrycznymi

**OSTRZEŻENIE!**

- Podłączenie elektryczne może wykonać tylko wykwalifikowany elektryk.
- Urządzenie należy zamontować zgodnie z krajowymi przepisami dotyczącymi instalacji elektrycznych.

**OSTROŻNIE!**

- Przewody należy podłączać i układać w sposób pozwalający uniknąć potykania się o nie oraz ich uszkodzenia.

**UWAGA!**

- W przypadku konieczności przeprowadzenia przewodów przez ściany o ostrych krawędziach należy użyć pustych rurek lub przepustów izolowanych!
- Nie należy układać luźnych albo mocno zgiętych przewodów przy materiałach przewodzących prąd (metal).
- Nie wolno ciągnąć za przewody.

### 3 Odbiorcy instrukcji

Instrukcja jest skierowana do specjalistów, którzy zapoznali się z zasadami i środkami bezpieczeństwa.

### 4 W zestawie

Poz. na rys. 1, strona 3	Ilość	Opis
1	1	Klimatyzator dachowy
2	1	Płyta dachowa
3	1	Skrzynka rozdzielcza powietrza (ADB)
4	1	Pokrywa środkowa ADB
5	5	Odcinki kanałów
6	3	Łączniki kablowe
7	4	Śruby mocujące
8	1	Pilot

### 5 Osprzęt

Elementy dostępne jako akcesoria (niedostarczane w zestawie):

Opis	Nr katalogowy
Odcinki przedłużeń kanałów (każdy odcinek obejmuje dodatkowe 10 mm)	4450017931
Dłuższe śruby mocujące (dla grubości dachu 80 – 120 mm)	4450012023

### 6 Użytkowanie zgodne z przeznaczeniem

Klimatyzatory z serii FreshJet 3000 są przeznaczone do montażu na dachu przy czepcy kempingowej lub pojazdu rekreacyjnego w celu zapewnienia ogrzewania i chłodzenia w cyklu odwróconym. Urządzenie jest przeznaczone dla pojazdów z dachem o grubości od 20 do 100 mm. Urządzenie musi być zamontowane w taki sposób, aby znajdowało się w granicach  $\pm 10^\circ$  od płaszczyzny poziomej. **Nie** nadaje się do stosowania w domach lub mieszkaniach.

Klimatyzator dachowy **nie** jest przeznaczony do instalacji w maszynach budowlanych, rolniczych ani podobnych urządzeniach roboczych. Przy zbyt silnych wibracjach nie gwarantuje się prawidłowego działania urządzenia.

Działanie klimatyzatora dachowego jest gwarantowane w temperaturach od  $-2^\circ\text{C}$  do  $52^\circ\text{C}$ .

**WSKAZÓWKA**

Dodatkowe informacje na temat klimatyzatora dachowego, jak opis techniczny i wskazówki dotyczące obsługi znajdują się w instrukcji obsługi.

## 7 Tabliczki informacyjne

Do górnej części klimatyzatora przymocowane są etykiety:

- Etykieta produktu (rys. **2** 1, strona 3), znajdująca się z boku skrzynki elektronicznej, widoczna przez wywietrznik boczny.
- Etykieta danych ADB wewnątrz pokrywy środkowej ADB (rys. **3** 1, strona 3)

Informują one użytkowników i instalatora o specyfice urządzenia.

## 8 Instalacja

**OSTROŻNIE! Ryzyko obrażeń**

Klimatyzator dachowy może zostać zainstalowany wyłącznie przez odpowiednio wykwalifikowanych pracowników. Poniższe informacje są skierowane do specjalistów, którzy zapoznali się z odpowiednimi wytycznymi i środkami bezpieczeństwa.

### 8.1 Wskazówki dotyczące instalacji

Przed montażem klimatyzatora dachowego należy koniecznie przeczytać całą instrukcję montażu.

Podczas montażu należy stosować się do następujących zasad i wskazówek:

**NIEBEZPIECZEŃSTWO! Ryzyko porażenia prądem**

Podczas pracy z klimatyzatorem dachowym należy odłączyć wszystkie źródła zasilania.

**OSTROŻNIE! Ryzyko obrażeń**

- Nieprawidłowa instalacja klimatyzatora może spowodować nieodwracalne uszkodzenie urządzenia i zagrożenie bezpieczeństwa użytkownika.
- Jeśli klimatyzator zostanie zamontowany niezgodnie z instrukcją montażu, producent nie ponosi żadnej odpowiedzialności za usterki w działaniu ani za bezpieczeństwo klimatyzatora, a w szczególności za obrażenia ciała i szkody materialne.
- Podczas wszystkich prac należy nosić wymaganą odzież ochronną (np. okulary ochronne, rękawice ochronne).

**UWAGA! Ryzyko uszkodzenia**

- Podczas montażu klimatyzatora dachowego należy zawsze pamiętać o statyce pojazdu i o uszczelnieniu wszystkich otworów powstałych podczas montażu.
- Przed wejściem na dach pojazdu należy się upewnić, czy uniesie on obciążenie montażysty. Informacje o dozwolonym obciążeniu dachu można uzyskać od producenta pojazdu.

**8.1.1 Uwagi dotyczące transportu**

- Zwracać uwagę na orientację strzałek w górę na kartonie. Jeśli urządzenie było odwrócone dołem do góry przez jakiś czas, nie należy go instalować (rys. **4 A**, strona 4).
- Klimatyzator dachowy należy prznosić zawsze w dwie osoby.
- Aby przenieść klimatyzator, należy go zawsze podnosić, a nie ciągnąć po dachu (rys. **4 B**, strona 4).
- Nie należy podnosić urządzenia za otwory wentylacyjne (rys. **4 C**, strona 4).

**8.1.2 Wskazówki dotyczące miejsca instalacji**

- Przed zamontowaniem klimatyzatora dachowego należy sprawdzić, czy przez instalację nie zostaną uszkodzone żadne części pojazdu (np. lampy, szafy, drzwi).
- Przed montażem należy dowiedzieć się od producenta pojazdu, czy jego konstrukcja auta jest wytrzymała w przypadku obciążeń statycznych (obciążenia przez klimatyzator), gdy pojazd jest w ruchu. Producent klimatyzatora dachowego nie ponosi za to żadnej odpowiedzialności.
- Producent pojazdu mógł już wcześniej przewidzieć punkty, w których można wykonać otwór do montażu klimatyzatora dachowego bez ryzyka osłabienia konstrukcji lub przecięcia przewodów zasilających.
- Na miejsce montażu należy wybrać płaską i odpowiednio równą powierzchnię pomiędzy dwoma podłużnymi profilami dachu pojazdu.
- Nachylenie dachu w miejscu montażu nie może przekraczać 10°.
- Należy uważać, aby nie składować ani nie montować łatwopalnych przedmiotów w pobliżu wylotu powietrza. Należy zachować odstęp co najmniej 50 cm.
- Upewnić się, czy we wnętrzu pojazdu nie ma przeszkód do umocowania jednostki nawiewnej i wydostawania się ochłodzonego powietrza przez ruchome dysze.
- Ze względów bezpieczeństwa podczas montażu klimatyzatora (podczas wiercenia lub przykręcania) należy uważać na położenie przebiegających, w szczególności niewidocznych przewodów i innych części znajdujących się w obszarze montażu!



### 8.1.3 Wskazówki do montażu elektrycznego

- Tylko wykwalifikowany elektryk powinien podłączać klimatyzator dachowy do zasilania elektrycznego.
- Należy porównać dane dotyczące napięcia na tabliczce znamionowej z dostępnym źródłem zasilania.
- Nie należy układać luźnych albo zgiętych przewodów w pobliżu materiałów przewodzących prąd (metali).
- Zamontować wyłącznik wielobiegunowy o szerokości otwarcia styków co najmniej 3 mm po stronie montażowej.
- Upewnić się, że zasilanie sieciowe jest wyposażone w wyłącznik różnicowo-prądowy.
- Przewód uziemiający klimatyzatora powinien być podłączony do układu uziemienia pojazdu.

Istnieją dwa sposoby montażu klimatyzatora dachowego:

- Wykonanie nowego otworu (rozdz. „Wykonanie nowego otworu” na stronie 161). W tym przypadku otwór musi być wzmocniony odpowiednią ramą.
- Wykorzystanie istniejącego otworu w pojeździe, takiego jak właz dachowy lub wymiana starego klimatyzatora (rozdz. „Montaż w istniejącym otworze” na stronie 162).

## 8.2 Wykonanie nowego otworu

**zob. rys. 5, strona 4**

- Należy wybrać na środku dachu powierzchnię pomiędzy dwoma podłużnymi profilami.
- Zaznaczyć położenie i wielkość otworu (najlepiej 400 x 400 mm lub opcjonalnie 360 x 360 mm).

**zob. rys. 6, strona 4**

- Należy wywiercić otwory w rogach **(A)**.
- Starannie wyciąć otwór w dachu za pomocą otwornicy lub podobnego narzędzia **(B)**.
- Należy uważać, aby nie uszkodzić przewodów elektrycznych.

**zob. rys. 7, strona 5**

- Przed instalacją należy ustalić, czy wycięcie w dachu wymaga wzmocnienia.
- W razie potrzeby należy usunąć piankę zgodnie z szerokością listew wzmocniających (nieobjęte dostawą) **(A)**.

- Następnie należy wpasować listwy wzmacniające **(B)**.
- W razie potrzeby należy zamontować odpowiednią ramę „H”, aby zapewnić wzmocnienie dachu.

### 8.3 Montaż w istniejącym otworze



#### WSKAZÓWKA

- Klimatyzator dachowy można zamontować w otworach okien dachowych o wymiarach zgodnych z rys. **8**, strona 5.
- Wszystkie odpady, klej, silikon i uszczelki należy utylizować osobno. Należy stosować się do wytycznych dotyczących utylizacji.
- Producent ponosi odpowiedzialność wyłącznie za części dostarczone w zestawie. W przypadku montażu urządzenia przy użyciu części innych producentów gwarancja nie obowiązuje.

**zob. rys. 8, strona 5**

- Wymontować wszystkie śruby i mocowania istniejącego włazu dachowego lub klimatyzatora.
- Wyjąć wąż dachowy lub klimatyzator.

**zob. rys. 9, strona 5**

- Należy usunąć materiał uszczelniający wokół otworu za pomocą skrobaka.

**zob. rys. 10, strona 5**



#### UWAGA!

Należy uwzględnić uwagi producenta uszczelniacza.

- Uszczelnić otwory i wgłębienia śrub za pomocą elastycznej, nietwardniejącej butylowej masy uszczelniającej (np. szczeliwem butylowym SikaLastomer-710, Selleys Butyl Mastic, Bostik ezycalk lub podobnym produktem).

### 8.4 Ułożenie przewodów przyłączeniowych



#### NIEBEZPIECZEŃSTWO! Ryzyko porażenia prądem

Przed rozpoczęciem prac nad częściami zasilanymi prądem elektrycznym należy upewnić się, że nie są one już podłączone do napięcia!

Klimatyzator dachowy wymaga podłączenia do obwodu elektrycznego, który może dostarczyć odpowiednie zasilanie (patrz Dane techniczne w Instrukcji obsługi).

- ▶ Przekrój przewodu należy wybrać odpowiednio do długości przewodu:
  - Długość < 7,5 m: 1,5 mm<sup>2</sup>
  - Długość > 7,5 m: 2,5 mm<sup>2</sup>

**zob. rys. 11, strona 5**

- ▶ Wykonać otwór po jednej stronie w celu przeprowadzenia przewodu zasilającego.
- ▶ Przeprowadzić przewód 240 V~ przez otwór do wnętrza pojazdu.

## 8.5 Montaż skrzynki rozdzielczej powietrza ADB



### **UWAGA! Ryzyko uszkodzenia**

Należy uwzględnić statykę dachu pojazdu. Waga klimatyzatora dachowego musi odpowiadać udźwigowi dachu. Dach nie może uginać się pod ciężarem urządzenia ani ulegać odkształceniu nawet po dłuższym czasie.

**zob. rys. 12, strona 6**

- ▶ Wybrać orientację ramy dachowej w oparciu o wielkość otworu.
- ▶ Zamontować ramę dachową w otworze dachowym
- ▶ Uszczelnić ramę dachową za pomocą elastycznej, nietwardniejącej butylowej masy uszczelniającej (np. szczeliwem butylowym SikaLastomer-710, Selsleys Butyl Mastic, Bostik ezycaulk lub podobnym produktem).

**zob. rys. 13, strona 6**

- ▶ Należy przenieść klimatyzator na dach pojazdu.
- ▶ Umieścić klimatyzator dachowy na płycie dachowej i dopasować do rowka w waniecie podstawowej.  
Należy pamiętać o kierunku jazdy.

### 8.5.1 Mocowanie klimatyzatora dachowego

**zob. rys. 14, strona 6**

- ▶ Użyć narożników przedniej części wanieki podstawowej, aby wyrównać urządzenie względem płyty dachowej.

## 8.5.2 Podłączenie elektryczne

Pozycja (rys. 15, strona 7)	Opis
1	Sieć 220 – 240 V~
2	Tabliczka parownika
3	Przewód komunikacyjny
4	Siatka metalowa radiatora
5	Płyta skraplacza
6	Zawór zwrotny
7	Kompresor przetwornicy
8	Wentylator parownika
9	Wentylator skraplacza
10	Czujnik powietrza nawiewanego
11	Czujnik parownika
12	Czujnik skraplacza
13	Czujnik wylotu
14	Induktor
ye	żółty
bn	brązowy
bu	niebieski
gn	zielony
vt	fioletowy
rd	czerwony
wh	biały
bk	czarny

**zob. rys. 16, strona 7**

### 8.5.3 Kabel przyłączeniowy do sieci

- ▶ Podłączyć klimatyzator dachowy do zasilania sieciowego. Przewody (1) należy podłączyć do łącznika kablowego (2).

### 8.5.4 Kabel komunikacyjny

- ▶ Lekko wyciągnąć filtr, aby utworzyć szczelinę dla kabla komunikacyjnego (3).
- ▶ Przeprowadzić kabel komunikacyjny przez szczelinę i ustawić przewód w otworze.

**zob. rys. 17, strona 8**

- ▶ Połączyć odcinki kanału i przyłożyć je do grubości dachu: wysokość kanału powinna odpowiadać grubości dachu. Można również posłużyć się poniższą tabelą:

Grubość dachu	Liczba odcinków kanału
18 – 28 mm	1
28 – 38 mm	2
38 – 48 mm	3
48 – 58 mm	4
58 – 68 mm	5

**WSKAZÓWKA**

W przypadku grubszych dachów można dokupić dodatkowe odcinki kanałów.

- ▶ Dołączyć wymaganą liczbę odcinków kanałów do skrzynki ADB.
- ▶ Przymocować skrzynkę ADB przez sufit do klimatyzatora za pomocą czterech dostarczonych śrub.

**zob. rys. 18, strona 8****UWAGA! Ryzyko uszkodzenia**

Należy przestrzegać podanego momentu dociągającego! Nie dokręcać nadmiernie!

- ▶ Dokręcić śruby za pomocą klucza dynamometrycznego z momentem dociągającym  $2,5 \text{ Nm} \pm 0,3 \text{ Nm}$ .

**8.5.5 Kabel komunikacyjny**

- ▶ Podłączyć 4-pinową wtyczkę komunikacyjną do gniazda z boku wyświetlacza (2) w ADB.
- ▶ Upewnić się, że kabel jest w małym otworze z dala od obszaru filtra.
- ▶ Nadmiar kabla należy zabezpieczyć uchwytach.
- ▶ Wepchnąć filtr do końca.




**zob. rys. 19, strona 8**

- ▶ Przypiąć pokrywę centralną do skrzynki ADB.

Montaż został zakończony. Podłączyć zasilanie i sprawdzić działanie.

## 9 Dane techniczne

Zawiera fluorowane gazy cieplarniane Urządzenie zamknięte hermetycznie.

	<b>FreshJet 3000</b>
Wydajność chłodzenia kompresora:	3600 W
Wydajność chłodzenia zgodnie z ISO 5151:	2516 W
Wydajność ogrzewania zgodnie z ISO 5151:	3107 W
Znamionowe napięcie wejściowe:	220 V~ do 240 V~/ 50 Hz
Prąd znamionowy chłodzenia:	7,5 A
Prąd znamionowy ogrzewania	6,1 A
Wymagany bezpiecznik:	10 A
Zakres temperatury roboczej:	od -2°C do +52°C
Czynnik chłodniczy:	R-410A
Ilość czynnika chłodniczego:	0,650 kg
Ekwiwalent CO <sub>2</sub> :	1,357 t
Potencjał tworzenia efektu cieplarnianego (GWP):	2088
Klasa ochrony (urządzenie zewnętrzne):	IPX4
Sugerowana maks. długość pojazdu (z izolowanymi ścianami):	<6 m
Wymiary dł. x szer. x wys. (wysokość od dachu pojazdu):	997 x 665 x 240 mm
Masa:	37 kg
Kontrola/certyfikat:	  

## Pôvodný návod na použitie

**Pred montážou a uvedením do prevádzky si prosím pozorne prečítajte tento návod a uschovajte ho na bezpečnom mieste. V prípade odovzdania zariadenia ďalšiemu používateľovi mu odovzdajte aj tento návod.**

## Obsah

1	<b>Vysvetlenie symbolov</b> .....	167
2	<b>Bezpečnostné a montážne pokyny</b> .....	168
3	<b>Cieľová skupina tohto návodu</b> .....	169
4	<b>Rozsah dodávky</b> .....	170
5	<b>Príslušenstvo</b> .....	170
6	<b>Používanie v súlade s určením</b> .....	170
7	<b>Štítky</b> .....	171
8	<b>Montáž</b> .....	171
9	<b>Technické údaje</b> .....	178

## 1 Vysvetlenie symbolov



### **NEBZPEČENSTVO!**

**Bezpečnostné upozornenie** na nebezpečnú situáciu, ktorá vedie k usmrteniu alebo ťažkému poraneniu, ak sa jej nezabráni.



### **VÝSTRAHA!**

**Bezpečnostné upozornenie** na nebezpečnú situáciu, ktorá môže viesť k usmrteniu alebo ťažkému poraneniu, ak sa jej nezabráni.



### **UPOZORNENIE!**

**Bezpečnostné upozornenie** na nebezpečnú situáciu, ktorá môže viesť k ľahkému alebo stredne ťažkému usmrteniu alebo ťažkému poraneniu, ak sa jej nezabráni.



### **POZOR!**

Upozornenie na situáciu, ktorá môže viesť k materiálnym škodám, ak sa jej nezabráni.

**POZNÁMKA**

Doplňujúce informácie týkajúce sa obsluhy produktu.

## 2 Bezpečnostné a montážne pokyny

### Rešpektujte bezpečnostné pokyny a podklady vydané výrobcom vozidla a autorizovanými servismi.

Výrobca v nasledujúcich prípadoch nepreberá za škody žiadnu záruku:

- Chyby montáže alebo pripojenia
- Poškodenia produktu mechanickým pôsobením a nesprávnym pripájacím napätím
- Zmeny produktu bez vyjadreného povolenia výrobcu
- Použitie na iné účely ako sú účely uvedené v návode

### 2.1 Manipulácia so zariadením

**VÝSTRAHA!**

- Montáž a opravy strešnej klimatizácie smú uskutočňovať len odborníci s príslušnou kvalifikáciou, ktorí sú oboznámení s rizikami s tým spojenými, príp. s príslušnými predpismi. Neodborné opravy predstavujú riziko vážnych nebezpečenstiev. V prípade potreby opravy sa obráťte na servisné stredisko vo vašej krajine (adresy sú uvedené na zadnej strane).
- **Elektrické zariadenia nie sú detské hračky.**  
Elektrické zariadenia uschovajte mimo dosahu detí alebo nespôsobilých osôb. Nenechávajte deti, aby používali elektrické prístroje bez dozoru.
- Osoby, ktoré z dôvodu ich fyzických, zmyslových či duševných schopností alebo ich neskúsenosti či neznalosti nie sú schopné zariadenie bezpečne používať, nemajú používať toto zariadenie bez dozoru alebo poučenia od zodpovednej osoby.
- V prípade požiaru **neskladajte** horný kryt strešnej klimatizácie. Namiesto toho použite povolené hasiace prostriedky. Na hasenie požiarov nepoužívajte vodu.

**UPOZORNENIE!**

- Strešné klimatizačné zariadenie musí byť nainštalované bezpečne, aby nespadlo.
- Strešnú klimatizáciu používajte len vtedy, keď kryt a káble nie sú poškodené.
- Nepoužívajte strešné klimatizačné zariadenie v blízkosti zápalných tekutín alebo v uzavretých priestoroch.
- Dbajte na to, aby sa horľavé predmety neuskladňovali alebo nemontovali v oblasti výstupu vzduchu. Dodržiavajte minimálnu vzdialenosť 50 cm.



- Nesiahajte do vetracích otvorov a do zariadenia nevsúvajte žiadne cudzie predmety.

**POZOR!**

- Zariadenie používajte len v súlade s jeho určeným použitím.
- Strešná klimatizácia nie je určená na prevádzku v poľnohospodárskych a stavebných strojoch.
- Na zariadení nevykonávajte žiadne zmeny alebo prestavby.
- S nainštalovanou strešnou klimatizáciou nesmiete vojsť s obytným automobilom do automatickej automomyvárne.
- Ak sa v chladiacom okruhu zariadenia vyskytnú poruchy, dajte zariadenie preskúšať a riadne opraviť v špecializovanom servise. V žiadnom prípade sa chladiaci prostriedok nesmie voľne vypúšťať do atmosféry.

**POZNÁMKA**

- Informujte sa u výrobcu vášho automobilu, či je po montáži klimatizácie potrebná technická prehliadka a či je potrebné zmeniť výšku uvedenú v dokumentoch k vozidlu:
  - FreshJet 3000: zväčšená výška 240 mm

## 2.2 Manipulácia s elektrickými káblami

**VÝSTRAHA!**

- Zdroj elektrického napájania smie zapájať len znalá osoba (kvalifikovaný elektroinštalatér).
- Zariadenie sa musí inštalovať v súlade s vnútroštátnymi predpismi pre elektroinštaláciu.

**UPOZORNENIE!**

- Káble upevnite a uložte tak, aby nehrozilo nebezpečenstvo zakopnutia a aby bolo vylúčené poškodenie káblov.

**POZOR!**

- Ak sa musia vedenia viesť cez steny s ostrými hranami, použite duté potrubia príp. priechodky určené pre vedenia.
- Na elektricky vodivé materiály (kovy) neumiestňujte voľné alebo ostro lomené vedenia.
- Neťahajte za káble.

## 3 Cieľová skupina tohto návodu

Tento návod je určený pre odborníkov v dielňach, ktorí sú oboznámení s platnými smernicami a potrebnými bezpečnostnými opatreniami.

## 4 Rozsah dodávky

Č. na obr. 1, strane 3	Počet	Označenie
1	1	Strešná klimatizácia
2	1	Strešná platňa
3	1	Skrinka rozvádzania vzduchu (ADB)
4	1	Stredový kryt skrinky ADB
5	5	Potrubné úseky
6	3	Káblové konektory
7	4	Upevňovacie skrutky
8	1	Diaľkové ovládanie

## 5 Príslušenstvo

Dostupné ako príslušenstvo (nie je súčasťou dodávky):

Označenie	Č. výr.
Nadstavbové potrubné úseky (každý úsek pokryje ďalších 10 mm)	4450017931
Dlhšie upevňovacie skrutky (pre hrúbku strechy 80 – 120 mm)	4450012023

## 6 Používanie v súlade s určením

Klimatizácie FreshJet 3000 sú navrhnuté pre montáž na strechu karavanu alebo rekreačného vozidla na zabezpečenie vyhrievania a chladenia s reverzným cyklom. Zariadenie je určené pre vozidlá s hrúbkou strechy v rozsahu 20 až 100 mm. Zariadenie sa musí namontovať tak, aby bolo v rozsahu  $\pm 10^\circ$  od horizontálnej roviny. Je **nevhodná** pre domy a byty.

Strešná klimatizácia **nie** je vhodná pre montáž do stavebných, poľnohospodárskych alebo podobných pracovných strojov. Ak je vystavená silným vibráciám, nebude správne fungovať.

Funkcia strešnej klimatizácie je zaručená pri teplotách v rozsahu  $-2^\circ\text{C}$  až  $52^\circ\text{C}$ .



### POZNÁMKA

Ďalšie informácie o strešných klimatizáciách, ako technický opis alebo obsluha, nájdete v návode na obsluhu.

## 7 Štítky

Štítky sú upevnené na strešnej klimatizácii:

- Štítok výrobku (obr. **2** 1, strane 3), umiestnený na bočnej strane elektronickej skrinky a je viditeľný cez bočný vetrací otvor.
- Štítok s údajmi ADB vnútri stredového krytu skrinky ADB (obr. **3** 1, strane 3)

Tieto označovacie štítky informujú používateľa a inštalatéra o špecifikáciách zariadenia.

## 8 Montáž



### UPOZORNENIE! Nebezpečenstvo poranenia

Strešnú klimatizáciu smú montovať výhradne kvalifikované osoby. Nasledujúce informácie sú určené pre odborníkov, ktorí sú oboznámení s príslušnými smernicami a bezpečnostnými opatreniami.

### 8.1 Pokyny k montáži

Pred montážou strešnej klimatizácie si prečítajte celý návod na montáž.

Pri montáži strešnej klimatizácie rešpektujte nasledovné tipy a pokyny:



### NEBZPEČENSTVO! Nebezpečenstvo ohrozenia života elektrickým prúdom

Pri prácach na strešnej klimatizácii odpojte všetky zdroje napájania.



### UPOZORNENIE! Nebezpečenstvo poranenia

- Nesprávna montáž strešnej klimatizácie môže viesť k neopraviteľným škodám zariadenia a nepriaznivo ovplyvniť bezpečnosť používateľa.
- Keď sa strešná klimatizácia nenamontuje podľa návodu na montáž, výrobca neručí za chybné fungovanie a bezpečnosť strešnej klimatizácie, zvlášť za ujmy na zdraví a/alebo materiálne škody.
- Pri všetkých prácach používajte predpísaný ochranný odev (napr. ochranné okuliare, ochranné rukavice).



### POZOR! Nebezpečenstvo poškodenia

- Pri montáži strešného zariadenia zohľadnite vždy statiku vozidla a dbajte na utesnenie všetkých otvorov, ktoré vznikli pri montáži.
- Prv než vstúpite na strechu vozidla, preverte, či je možné na ňu vstúpiť. U výrobcu vozidla sa informujte o prípustnom zaťažení strechy.

#### 8.1.1 Pokyny k preprave

- Venujte pozornosť orientácii šípok Hore na krabici. Nemontujte zariadenie, ak bolo položené naopak, bez ohľadu na to, ako dlho (obr. **4** A, strane 4).

- Strešnú klimatizáciu prenášajte vždy vo dvojici.
- Ak chcete strešnú klimatizáciu premiestniť, vždy ju zdvihnite a nikdy ju neťahajte po streche (obr. **4 B**, strane 4).
- Na zdvíhanie nepoužívajte zadné vetracie otvory (obr. **4 C**, strane 4).

### 8.1.2 Pokyny k miestu montáže

- Pred montážou strešnej klimatizácie preverte, či by sa jeho montážou príp. nepoškodili jednotlivé komponenty vozidla (napr. svetlá, skrine, dvere).
- Pred montážou sa poraďte s výrobcom vozidla, či je nadstavba dimenzovaná na statickú hmotnosť a zaťaženie klimatizáciou, ak je vozidlo v pohybe. Výrobca strešnej klimatizácie nepreberá žiadnu záruku.
- Výrobca vozidla už mohol vyznačiť body, kde je možné urobiť otvor pre montáž strešnej klimatizácie bez rizika, že dôjde k oslabeniu konštrukcie alebo preseknutiu elektrických káblov.
- Ako miesto montáže vyberte plochú a dostatočne rovnú zónu v strede dvoch pozdĺžnych profilov strechy vozidla.
- Sklon strechy na montážnej ploche nesmie byť väčší ako 10°.
- Dbajte na to, aby sa horľavé predmety neuskladňovali alebo nemontovali v oblasti výstupu vzduchu. Dodržte minimálnu vzdialenosť 50 cm.
- Zabezpečte, aby v interiéri vozidla nebola žiadna prekážka na upevnenie výstupnej jednotky vzduchu a aby chladený vzduch vychádzal cez otočné dýzy rozvádzania vzduchu.
- Z bezpečnostných dôvodov dávajte pozor pri montáži strešnej klimatizácie (pri vŕtaní, skrutkovaní atď.) na priebeh existujúcich, predovšetkým neviditeľných zväzkov káblov, vedení a iných komponentov, ktoré sa nachádzajú v oblasti montáže.

### 8.1.3 Pokyny týkajúce sa elektrickej výbavy

- Pripojenie strešnej klimatizácie k zdroju napájania smie vykonať len znalá osoba (kvalifikovaný elektroinštalatér).
- Porovnajte údaje o napätí na typovom štítku s existujúcim zdrojom napätia.
- Do blízkosti elektricky vodivých materiálov (kovy) neumiestňujte voľné alebo ohnuté/zalomené káble.
- Namontujte celopólový spínač so šírkou rozpojenia kontaktu minimálne 3 mm na strane montáže.
- Postarajte sa, aby hlavný zdroj napájania disponoval prúdovým chráničom.
- Uistite sa, že uzemňovací kábel klimatizácie je pripojený k uzemňovaciemu systému vozidla.

Strešné klimatizáciu je možné namontovať dvomi spôsobmi:

- Vytvorenie nového otvoru (kap. „Vytvorenie nového otvoru“ na strane 173). V tomto prípade musí byť otvor spevnený vhodným rámom.
- Použitie existujúceho otvoru vo vozidle, ako napríklad strešný svetlík alebo výmena starej klimatizácie (kap. „Montáž do existujúceho otvoru“ na strane 173).

## 8.2 Vytvorenie nového otvoru

**Pozri obr. 5, strane 4**

- Vyberte na streche zónu v strede medzi dvomi pozdĺžnymi profilmi.
- Označte pozíciu a rozmery otvoru (ideálne 400 × 400 mm alebo voliteľne 360 × 360 mm).

**Pozri obr. 6, strane 4**

- Vyvrtajte rohy **(A)**.
- Opatrne a starostlivo vyrežte otvor na streche priamočiarou pílou alebo podobným nástrojom **(B)**.
- Dbajte pritom na to, aby sa nepoškodili elektrické káble.

**Pozri obr. 7, strane 5**

- Pred montážou si overte, či sa otvor v streche nemusí spevniť.
- Odstráňte vypnenie podľa šírky vašich spevňovacích/vystužovacích lišt (nie sú súčasťou dodávky) **(A)**.
- Vsaďte spevňovacie/vystužovacie lišty **(B)**.
- Ak je to potrebné, nasadte vhodný H rám na vystuženie/spevnenie strechy.

## 8.3 Montáž do existujúceho otvoru



### POZNÁMKA

- Existujúce strešné svetlíky v súlade s obr. 8, strane 5 sú vhodné na montáž strešnej klimatizácie.
- Samostatne zlikvidujte všetok odpadový materiál, lepidlo, silikón a tesnenia. Dodržiavajte pritom smernice o likvidácii.
- Výrobca ručí jedine za dielce, ktoré sú súčasťou dodávky. Pri montáži zariadenia spolu s dielcami iných výrobcov záruka zaniká.

**Pozri obr. 8, strane 5**

- Demontujte všetky skrutky a upevňovacie prípravky existujúceho strešného svetlíka alebo klimatizácie.

- Vyberte strešný svetlík alebo klimatizáciu.

**Pozri obr. 9, strane 5**

- Odstráňte tesniacu hmotu okolo otvoru škrabkou alebo pod.

**Pozri obr. 10, strane 5**



### **POZOR!**

Rešpektujte upozornenia výrobcu tesniacej hmoty.

- Utesnite otvory na skrutky a výrezy s pružnou, netvrdnúcou butylovou tesniacou hmotou (napr. SikaLastomer-710, Selleys Butyl Mastic, tesniaca hmota Bostik ezycalk butyl alebo podobné výrobky).

## 8.4 Uloženie pripojovacích vedení



### **NEBZPEČENSTVO! Nebezpečenstvo ohrozenia života elektrickým prúdom**

Pred začatím prác na elektricky ovládaných komponentoch zabezpečte, aby neboli pod napätím!

Strešná klimatizácia musí byť pripojená do elektrického obvodu, ktorý je schopný zabezpečovať potrebný prúd (pozri Technické údaje v návode na obsluhu).

- Zvoľte prierez vodiča podľa dĺžky vedenia:
  - Dĺžka kábla < 7,5 m: 1,5 mm<sup>2</sup>
  - Dĺžka kábla > 7,5 m: 2,5 mm<sup>2</sup>

**Pozri obr. 11, strane 5**

- Vytvorte otvor na jednej strane, aby ste mohli previesť elektrický napájací kábel.
- Ved'te 240 V~ kábel cez otvor do interiéru vozidla.

## 8.5 Montáž skrinky ADB strešnej klimatizácie



### **POZOR! Nebezpečenstvo poškodenia**

Rešpektujte statiku strechy vozidla. Strecha vozidla musí mať nosnosť zodpovedajúcu hmotnosti strešnej klimatizácie. Strecha sa nesmie pod hmotnosťou zariadenia ani krátkodobo vtlačiť dovnútra alebo ináč zmeniť svoj tvar.

**Pozri obr. 12, strane 6**

- Polohujte strešný rám podľa veľkosti otvoru.

- Osadíte strešný rám do strešného otvoru.
- Utesnite okolie strešného rámu s pružnou, netvrdnúcou butylovou tesniacou hmotou (napr. SikaLastomer-710, Selleys Butyl Mastic, tesniaca hmota Bostik ezycaulk butyl alebo podobné výrobky).

**Pozri obr. 13, strane 6**

- Nadvihnite strešné klimatizačné zariadenie na strechu vozidla.
- Umiestnite strešnú klimatizáciu na strešnú platňu a vyrovnajte ju do drážky v základni.  
Riadte sa smerom jazdy.

### 8.5.1 Upevnenie strešnej klimatizácie

**Pozri obr. 14, strane 6**

- Použite rohy prednej strany základne na vyrovnanie klimatizácie so strešnou platňou.

### 8.5.2 Elektrické pripojenie

<b>Položka (obr. 15, strane 7)</b>	<b>Označenie</b>
1	Napájanie 220 – 240 V~
2	Platňa výparníka
3	Komunikačný kábel
4	Mriežkový chladič
5	Platňa kondenzátora
6	Reverzný ventil
7	Menič kompresora
8	Ventilátor výparníka
9	Ventilátor kondenzátora
10	Senzor výstupu vzduchu
11	Senzor výparníka
12	Senzor kondenzátora
13	Senzor vypúšťania
14	Induktor
ye	žltá
bn	hnedá
bu	modrá
gn	zelená

Položka (obr. 15, strane 7)	Označenie
vt	fialová
rd	červená
wh	biela
bk	čierna

Pozri obr. 16, strane 7

### 8.5.3 Sieťový prípojný kábel

- Strešnú klimatizáciu pripojte k zdroju napájania. Pripojte káble (1) ku káblovej spojke (2).

### 8.5.4 Komunikačný kábel

- Jemne povytiahnite filter, aby ste vytvorili medzeru pre komunikačný kábel (3).
- Vedzte komunikačný kábel cez medzeru a umiestnite kábel do otvoru.

Pozri obr. 17, strane 8

- Potrubné úseky ukladajte na seba a umiestnite ich v závislosti od hrúbky strechy: výška potrubia má byť zhodná s výškou strechy. Ale použite tabuľku nižšie ako pomôcku:

Hrúbka strechy	Počet potrubných úsekov
18 – 28 mm	1
28 – 38 mm	2
38 – 48 mm	3
48 – 58 mm	4
58 – 68 mm	5



#### POZNÁMKA

Pre hrubšie strechy je možné zakúpiť prídavné potrubné úseky.

- Upevnite potrebný počet potrubných úsekov na skrinku ADB.
- Cez strop upevnite skrinku ADB k strešnej klimatizácii pomocou 4 dodaných skrutiek.



**Pozri obr. 18, strane 8**



**POZOR! Nebezpečenstvo poškodenia**

Dodržiavajte uvedený uťahovací moment. Neuťahujte nadmerne!

- ▶ Uťahnite skrutky momentovým kľúčom s uťahovacím momentom 2,5 Nm  $\pm 0,3$  Nm.

### 8.5.5 Komunikačný kábel

- ▶ Pripojte 4-kolíkovú komunikačnú zástrčku do zásuvky na strane displeja (2) v skrinke ADB.
- ▶ Ubezpečte sa, že kábel je uložený v malom otvore mimo oblasti filtra.
- ▶ Zaistite kábel vo výreze v držiakoch.
- ▶ Filter úplne zatlačte naspäť.




**Pozri obr. 19, strane 8**

- ▶ Stredový kryt upevnite svorkami k skrinke ADB.

Montáž je teraz dokončená. Pripojte napájanie a vykonajte test.

## 9 Technické údaje

Obsahuje fluórované skleníkové plyny. Hermeticky uzatvorené zariadenie.

	<b>FreshJet 3000</b>
Chladiaci výkon kompresora:	3600 W
Chladiaci výkon v nadväznosti na ISO 5151:	2516 W
Vyhrievací výkon v nadväznosti na ISO 5151:	3107 W
Vstupné menovité napätie:	220 V~ až 240 V~ / 50 Hz
Menovitý prúd chladenia:	7,5 A
Menovitý prúd vyhrievania:	6,1 A
Potrebné poistka:	10 A
Rozsah prevádzkovej teploty:	-2 °C až +52 °C
Chladiaci prostriedok:	R-410A
Množstvo chladiaceho prostriedku:	0,650 kg
Ekvivalent CO <sub>2</sub> :	1,357 t
Potenciál globálneho otepľovania (GWP):	2088
Trieda ochrany (vonkajšia jednotka):	IPX4
Odporúčaná max. dĺžka vozidla (s izolovanými stenami):	< 6 m
Rozmery D × Š × V (výška nad strechou vozidla):	997 × 665 × 240 mm
Hmotnosť:	37 kg
Skúška/certifikát:	  

## Původní návod k používání

**Před instalací a uvedením do provozu si pečlivě přečtěte tento návod k obsluze a uschovejte jej. V případě dalšího prodeje přístroje předejte návod novému uživateli.**

## Obsah

1	Vysvětlení symbolů .....	179
2	Bezpečnostní pokyny a pokyny k instalaci .....	180
3	Cílová skupina tohoto návodu .....	181
4	Obsah dodávky .....	182
5	Příslušenství .....	182
6	Použití v souladu s účelem .....	182
7	Štítky s označením .....	183
8	Montáž .....	183
9	Technické údaje .....	190

## 1 Vysvětlení symbolů



### NEBEZPEČÍ!

**Bezpečnostní upozornění** na nebezpečnou situaci, která vede k úmrtí nebo těžkému poranění osob, pokud se jí nevyhnete.



### VÝSTRAHA!

**Bezpečnostní upozornění** na nebezpečnou situaci, která může vést k úmrtí nebo těžkému poranění osob, pokud se jí nevyhnete.



### UPOZORNĚNÍ!

**Bezpečnostní upozornění** na nebezpečnou situaci, která může vést k lehkému nebo středně těžkému poranění osob, pokud se jí nevyhnete.



### POZOR!

Upozornění na situaci, která může vést k poškození majetku, pokud se jí nevyhnete.



### POZNÁMKA

Doplňující informace týkající se obsluhy výrobku.

## 2 Bezpečnostní pokyny a pokyny k instalaci

### **Dodržujte předepsané bezpečnostní pokyny a předpisy vydané výrobcem vozidla a autoservisem!**

V následujících případech nepřebírá výrobce žádné záruky za škody:

- Chybná montáž nebo chybné připojení
- Poškození výrobku působením mechanických vlivů a chybného připojovacího napětí
- Změna výrobku bez výslovného souhlasu výrobce
- Použití k jiným účelům, než jsou popsány v tomto návodu

### 2.1 Manipulace s přístrojem



#### **VÝSTRAHA!**

- Montáž a opravy střešní klimatizace smějí provádět pouze odborníci, kteří jsou seznámeni s hrozícími nebezpečími a s příslušnými předpisy. Nesprávně provedené opravy mohou být zdrojem značných rizik. V případě oprav kontaktujte servisní středisko ve vaší zemi (adresy jsou uvedeny na zadní straně).
- **Elektrické přístroje nejsou hračky pro děti!**  
Děti a hendikepované osoby se nesmějí zdržovat v blízkosti elektrických přístrojů. Děti nenechávejte bez dozoru používat elektrické přístroje.
- Osoby, které z důvodu svých fyzických, sensorických nebo duševních schopností nebo nedostatku zkušeností nebo znalostí nejsou schopny přístroj bezpečně používat, jej nesmějí používat bez dohledu odpovědné osoby nebo bez jejího poučení.
- V případě požáru **neotevírejte** horní kryt střešní klimatizace. Místo toho použijte schválené hasicí prostředky. Požár nehaste vodou.



#### **UPOZORNĚNÍ!**

- Střešní klimatizace musí být bezpečně nainstalována tak, aby nemohla spadnout.
- Střešní klimatizaci používejte pouze za předpokladu, že jsou kryt přístroje a rozvody nepoškozené!
- Nepoužívejte střešní klimatizaci v blízkosti hořlavých kapalin nebo v uzavřených prostorech.
- Pamatujte, že v oblasti výstupu vzduchu nesmějí být uloženy ani namontovány žádné hořlavé předměty. Je nutné dodržet vzdálenost minimálně 50 cm.
- Nesahejte do otvorů pro výstup vzduchu a nezávědějte do zařízení cizí předměty.

**POZOR!**

- Používejte přístroj pouze v souladu s jeho určením.
- Střešní klimatizace není určena k provozu na zemědělských a stavebních strojích.
- Neprovádějte žádné úpravy nebo změny přístroje!
- Při instalované střešní klimatizaci nesmíte v žádném případě mýt váš obytný vůz v myčce.
- Pokud dojde k závadě v okruhu chladicího média, musí systém zkontrolovat specializovaná firma a řádně jej opravit. Chladicí médium nesmí být v žádném případě vypuštěno do volné atmosféry.

**POZNÁMKA**

- Informujte se u výrobce vašeho automobilu, zda není nutné po instalaci střešní klimatizace provést technickou kontrolu vozidla a změnu v dokumentaci vozidla:
  - FreshJet 3000: zvětšená výška 240 mm

## 2.2 Manipulace s elektrickými rozvody

**VÝSTRAHA!**

- Elektrické připojení smí provést výhradně kvalifikovaný elektrikář.
- Přístroj je třeba instalovat v souladu s vnitrostátními elektroinstalačními předpisy.

**UPOZORNĚNÍ!**

- Upevněte a instalujte vodiče tak, aby nehrozilo nebezpečí zakopnutí a nemohlo dojít k poškození kabelů.

**POZOR!**

- Pokud musejí být rozvody vedeny kolem stěn s ostrými úhly, použijte chráničky nebo průchodky.
- Nepokládejte volné nebo ostře zalomené vodiče na elektricky vodivé materiály (kov).
- Netahejte za rozvody a vodiče.

## 3 Cílová skupina tohoto návodu

Tento návod je určen pracovníkům servisů, kteří jsou seznámeni s příslušnými platnými směrnici a bezpečnostními předpisy.

## 4 Obsah dodávky

Č. na obr. <b>1</b> , strana 3	Počet	Popis
1	1	Střešní klimatizace
2	1	Střešní deska
3	1	Rozvaděč vzduchu (ADB)
4	1	Střední kryt ADB
5	5	Sekce potrubí
6	3	Kabelové konektory
7	4	Upevňovací šrouby
8	1	Dálkový ovladač

## 5 Příslušenství

Dostupné jako příslušenství (není součástí dodávky):

Popis	Č. výr.
Prodlužovací sekce potrubí (každá sekce pokrývá dalších 10 mm)	4450017931
Delší upevňovací šrouby (pro tloušťku střechy 80 – 120 mm)	4450012023

## 6 Použití v souladu s účelem

. Klimatizace FreshJet 3000 jsou navrženy pro montáž na střechu karavanu nebo rekreačního vozidla a zajišťují topení a chlazení v reverzním chodu. Příklad je určen pro vozidla se střechami o tloušťce 20 až 100 mm. Příklad musí být namontován tak, aby byl v rozmezí  $\pm 10^\circ$  od vodorovné roviny. **Není** vhodný do domů a bytů.

Střešní klimatizace **není** určena k montáži do stavebních, zemědělských nebo jiných pracovních strojů. V případě příliš silných vibrací nelze zaručit řádnou funkci.

Funkce střešní klimatizace je zaručena pro teploty v rozmezí  $-2^\circ\text{C}$  až  $52^\circ\text{C}$ .



### POZNÁMKA

Další informace o střešní klimatizaci, jako jsou technický popis nebo ovládací prvky, naleznete v návodu k obsluze.

## 7 Štítky s označením

Štítky s označením jsou upevněny na střešní klimatizaci:

- Štítek výrobku (obr. **2** 1, strana 3) je umístěn na boku elektronické skříňky a je viditelný přes boční větrací otvor.
- Štítek s údaji ADB uvnitř středního krytu ADB (obr. **3** 1, strana 3)

Tyto štítky s označením informují uživatele a instalátéra o specifikacích přístroje.

## 8 Montáž



### UPOZORNĚNÍ! Nebezpečí úrazu!

Montáž střešní klimatizace smí provést výhradně kvalifikovaný personál. Následující informace jsou určeny odborníkům, kteří jsou seznámeni s příslušnými platnými směrnici a bezpečnostními předpisy.

### 8.1 Pokyny k montáži

Před zahájením montáže střešní klimatizace si musíte přečíst celý tento návod k montáži.

Při montáži střešní klimatizace musíte dodržovat následující rady a pokyny:



### NEBEZPEČÍ! Ohrožení života elektrickým proudem

Při práci na střešní klimatizaci odpojte veškerá napájení elektrickým proudem.



### UPOZORNĚNÍ! Nebezpečí úrazu!

- Nesprávně provedená montáž klimatizace může mít za následek nevratné poškození přístroje a ohrožení bezpečnosti uživatele.
- Pokud nebude střešní klimatizace nainstalována v souladu s tímto návodem k montáži, nepřebírá výrobce žádné záruky jak za poruchy v provozu, tak za bezpečnost střešní klimatizace, a především za úrazy osob a za hmotné škody.
- Při všech činnostech používejte předepsané ochranné prostředky (např. ochranné brýle, bezpečnostní obuv).



### POZOR! Pozor, aby nedošlo k poškození.

- Při montáži střešní klimatizace vždy pamatujte na statiku vozidla a na utěsnění všech otvorů, které jsou nezbytné k provedení montáže.
- Dříve než vstoupíte na střechu vozidla zkontrolujte, zda je provedena jako pochozí. Informace o dovoleném zatížení střechy poskytně výrobce vozidla.

### 8.1.1 Převravní pokyny

- Věnujte pozornost orientaci šipek označení směru nahoru na krabici. Jednotku nemontujte, pokud byla určitou dobu vzhůru nohama (obr. **4 A**, strana 4).
- Střešní klimatizaci vždy přenášejte ve dvou.
- Při přemísťování střešní klimatizace musíte zařízení vždy zvednout, nikdy je netahujte po střeše (obr. **4 B**, strana 4).
- Nepoužívejte ke zvedání větrací otvory (obr. **4 C**, strana 4).

### 8.1.2 Poznámka k místu montáže

- Před montáží střešní klimatizace zkontrolujte, zda nemůže dojít následkem montáže střešní klimatizace k případnému poškození součástí vozidla (např. reflektory, skříňe, dveře).
- Před montáží musíte zjistit od výrobce vozidla, zda je nástavba vozidla konstruována tak, aby zachytila statickou hmotnost a zatížení způsobené klimatizací na jedoucím vozidle. Výrobce střešní klimatizace nepřebírá žádné záruky.
- Výrobce vozidla již možná poskytl místa, kde lze zhotovit otvor pro montáž střešní klimatizace bez jakéhokoli rizika oslabení konstrukce nebo přerážnutí silových kabelů.
- K montáži vyberte ploché a dostatečně rovné místo uprostřed mezi dvěma podélnými profily střechy vozidla.
- Sklon střechy v místě montáže nesmí být větší než 10°.
- Pamatujte, že v oblasti výstupu vzduchu nesmějí být uloženy ani namontovány žádné hořlavé předměty. Je třeba dodržovat vzdálenost nejméně 50 cm.
- Zkontrolujte, zda nejsou uvnitř vozidla žádné překážky k upevnění jednotky k výstupu vzduchu, a zda ochlazený vzduch může proudit nastavitelnými výdechy.
- Z bezpečnostních důvodů pamatujte při montáži střešní klimatizace (při vrtání, šroubování apod.) na umístění stávajících, a především pak skrytých kabelů, rozvodů a dalších součástí, které mohou být v místě montáže!

### 8.1.3 Pokyny k elektrickému rozvodům

- Elektrické připojení střešní klimatizace smí provést výhradně odborník.
- Porovnejte údaj o napětí na typovém štítku se stávajícím zdrojem napájení.
- Nepokládejte volné nebo ostře zalomené vodiče na elektricky vodivý materiál (kov).
- Na místě montáže namontujte všepólový spínač s rozpojením na vzdálenost kontaktů alespoň 3 mm.



- Ujistěte se, že síťové napájení je vybaveno proudovým chráničem.
- Dbejte na to, aby byl kabel uzemnění klimatizace připojen k systému uzemnění vozidla.

Střešní klimatizaci lze namontovat dvěma způsoby:

- Provedení nového otvoru (kap. „Provedení nového otvoru“ na straně 185). V tomto případě musí být otvor vyztužen vhodným rámem.
- Použití stávajícího otvoru ve vozidle, jako je například střešní okno, nebo výměna staré klimatizace (kap. „Montáž do stávajícího otvoru“ na straně 185).

## 8.2 Provedení nového otvoru

**Viz obr. 5, strana 4**

- Vyberte na střeše místo uprostřed mezi dvěma podélnými profily.
- Vyznačte polohu a velikost otvoru (nejlépe 400 x 400 mm nebo volitelně 360 x 360 mm).

**Viz obr. 6, strana 4**

- Vyvrtejte rohy (A).
- Vyřízněte pečlivě otvor ve střeše přímočarou pilou apod. (B).
- Dávejte přitom pozor, aby nedošlo k poškození elektrických kabelů.

**Viz obr. 7, strana 5**

- Před montáží zjistěte, zda musí být provedeno zesílení otvoru ve střeše.
- Podle potřeby odstraňte pěnovou výplň v závislosti na šířce výztužných lišt (nejsou obsahem dodávky) (A).
- Upravte tvar výztužných lišt (B).
- V případě potřeby namontujte vhodný rám H, který zajistí vyztužení střechy.

## 8.3 Montáž do stávajícího otvoru



### POZNÁMKA

- Můžete provést montáž střešní klimatizace do otvorů ve střeše v rozměrech podle obr. 8, strana 5.
- Roztřídte odpad z materiálu, lepidla, silikonu a těsnění a likvidujte jej samostatně. Dodržujte směrnice o likvidaci odpadů.
- Výrobce přebírá záruky výhradně za součásti, které jsou obsahem dodávky. Při montáži přístroje společně s výrobky jiných výrobců pozbývá záruka platnosti.

**Viz obr. 8, strana 5**

- Odstraňte všechny šrouby a upevňovací prvky stávajícího střešního okna nebo klimatizace.
- Vyjměte střešní okno nebo klimatizaci.

**Viz obr. 9, strana 5**

- Odstraňte těsnicí materiál kolem otvoru škrabkou apod.

**Viz obr. 10, strana 5****POZOR!**

Dodržujte pokyny výrobce těsnicí hmoty.

- Otvory na šrouby a vybrání utěsněte plastickou netuhnoucí butylovou těsnicí hmotou (např. SikaLastomer-710, Selleys Butyl Mastic, butylový tmel Bostik ezycaulk nebo podobné výrobky).

## 8.4 Pokládka rozvodů

**NEBEZPEČÍ! Ohrožení života elektrickým proudem**

Před zahájením prací na elektricky poháněných součástech zajistěte, aby nebylo připojeno žádné napětí!

Střešní klimatizace musí být napojena na proudový obvod, který je konstruován tak, aby dodával potřebný proud (viz Technické údaje v návodu k obsluze).

- Vyberte průřez vodiče v souladu s jeho délkou:
  - Délka <7,5 m: 1,5 mm<sup>2</sup>
  - Délka >7,5 m: 2,5 mm<sup>2</sup>

**Viz obr. 11, strana 5**

- Zhotovte otvor na jedné straně, abyste mohli provléct kabel elektrického napájení.
- Ved'te kabel 240 V~ otvorem dovnitř vozidla.

## 8.5 Montáž střešní klimatizace ADB

**POZOR! Nebezpečí poškození**

Pamatujte na nosnost střechy vozidla. Střecha vozidla musí být schopna unést hmotnost střešní klimatizace. Hmotnost jednotky nesmí způsobit ani po dlouhé době otláčení nebo změnu tvaru střechy.

**Viz obr. 12, strana 6**

- Orientujte střešní rám podle velikosti otvoru.
- Vsaďte střešní rám do střešního otvoru
- Střešní rám utěsněte plastickou netuhnoucí butylovou těsnicí hmotou (např. SikaLastomer-710, Selleys Butyl Mastic, butylový tmel Bostik ezycaulk nebo podobné výrobky).

**Viz obr. 13, strana 6**

- Zvedněte střešní klimatizaci na střechu vozidla.
- Umístěte klimatizaci na střešní desku a vyrovnejte ji do drážky ve spodní vaně.  
Pamatujte přitom na směr jízdy.

**8.5.1 Upevnění střešní klimatizace****Viz obr. 14, strana 6**

- K vyrovnání jednotky se střešní deskou použijte rohy přední části spodní vany.

**8.5.2 Elektrické připojení**

<b>Položka (obr. 15, strana 7)</b>	<b>Popis</b>
1	Síť 220 – 240 V~
2	Deska výparníku
3	Komunikační vedení
4	Kovová mřížka chladiče
5	Deska kondenzátoru
6	Reverzní ventil
7	Invertorový kompresor
8	Výparník ventilátoru
9	Kondenzátor ventilátoru
10	Snímač venkovního vzduchu
11	Snímač výparníku
12	Snímač kondenzátoru
13	Snímač vypouštění
14	Induktor
ye	žlutá

<b>Položka (obr. 15, strana 7)</b>	<b>Popis</b>
bn	hnědá
bu	modrá
gn	zelená
vt	fialová
rd	červená
wh	bílá
bk	černá

**Viz obr. 16, strana 7**

### 8.5.3 Síťový přívodní kabel

- ▶ Připojte střešní klimatizaci k síťovému napájení.  
Připojte příslušné kabely (1) vždy k jedné kabelové spojce (2).

### 8.5.4 Komunikační kabel

- ▶ Mírně vytáhněte filtr a vytvořte mezeru pro komunikační kabel (3).
- ▶ Protáhněte komunikační kabel mezerou a umístěte vodič do otvoru.

**Viz obr. 17, strana 8**

- ▶ Stohujte sekce potrubí a umístěte je proti tloušťce střechy: výška potrubí by měla odpovídat výšce střechy. Nebo použijte jako vodičko níže uvedenou tabulku:

<b>Tloušťka střechy</b>	<b>Počet sekcí potrubí</b>
18 – 28 mm	1
28 – 38 mm	2
38 – 48 mm	3
48 – 58 mm	4
58 – 68 mm	5



#### **POZNÁMKA**

Pro silnější střechy lze zakoupit další sekce potrubí.

- ▶ Na ADB upevněte požadovaný počet sekcí potrubí.
- ▶ ADB upevněte ke stropu až ke střešní klimatizaci 4 dodanými šrouby.

**Viz obr. 18, strana 8**



**POZOR! Nebezpečí poškození**

Dodržujte uvedený utahovací moment. Neutahujte příliš!

- ▶ Utáhněte šrouby momentovým klíčem a utahovacím momentem 2,5 Nm  $\pm 0,3$  Nm.

### 8.5.5 Komunikační kabel

- ▶ Zapojte 4pólovou komunikační zástrčku do zásuvky na boku displeje (2) v ADB.
- ▶ Ujistěte se, že je kabel umístěn do malého otvoru mimo oblast filtru.
- ▶ Přebytečný kabel zajistěte v držácích.
- ▶ Úplně zatlačte filtr zpět.




**Viz obr. 19, strana 8**

- ▶ Připněte středový kryt k ADB.

Montáž je nyní dokončena. Připojte k napájení a otestujte.

## 9 Technické údaje

Obsahuje fluorované skleníkové plyny. Hermeticky utěsněné zařízení.

	<b>FreshJet 3000</b>
Chladicí výkon kompresoru:	3600 W
Chladicí výkon v souladu s ISO 5151:	2516 W
Topný výkon v souladu s ISO 5151:	3107 W
Jmenovité vstupní napětí:	220 V~ až 240 V~ / 50 Hz
Jmenovitý proud chlazení:	7,5 A
Jmenovitý proud topení:	6,1 A
Požadovaná pojistka:	10 A
Rozsah provozních teplot:	-2 °C až +52 °C
Chladicí médium:	R-410A
Množství chladicího média:	0,650 kg
Ekvivalent CO <sub>2</sub> :	1,357 t
Potenciál skleníkových plynů (GWP):	2088
Druh ochrany (venkovní jednotka):	IPX4
Navržená max. délka vozidla (s izolovanými stěnami):	<6 m
Rozměry D x Š x V (výška nad střechou vozidla):	997 x 665 x 240 mm
Hmotnost:	37 kg
Zkouška/certifikát:	  

### Eredeti használati utasítás

**Beépítés és üzembe helyezés előtt gondosan olvassa el és őrizze meg ezt az útmutatót. Ha a készüléket továbbadja, mellékelje hozzá a használati utasítást is.**

## Tartalomjegyzék

1	<b>Szimbólumok magyarázata</b> .....	191
2	<b>Biztonsági és beszerelési útmutatások</b> .....	192
3	<b>Az útmutató célcsoportja</b> .....	193
4	<b>A csomag tartalma</b> .....	194
5	<b>Tartozékok</b> .....	194
6	<b>Rendeltetészerű használat</b> .....	194
7	<b>Jelölőmatricák</b> .....	195
8	<b>Felszerelés</b> .....	195
9	<b>Műszaki adatok</b> .....	202

## 1 Szimbólumok magyarázata



### **VESZÉLY!**

**Biztonsági megjegyzés** olyan veszélyes helyzetre vonatkozóan, amely halált vagy súlyos sérülést okoz, ha nem kerülik el.



### **FIGYELMEZTETÉS!**

**Biztonsági megjegyzés** olyan veszélyes helyzetre vonatkozóan, amely halált vagy súlyos sérülést okozhat, ha nem kerülik el.



### **VIGYÁZAT!**

**Biztonsági megjegyzés** olyan veszélyes helyzetre vonatkozóan, amely könnyű vagy közepesen súlyos sérülést okozhat, ha nem kerülik el.



### **FIGYELEM!**

Felhívás olyan helyzetre, amely dologi kárt okozhat, ha nem kerülik el.



### **MEGJEGYZÉS**

A termék kezelésére vonatkozó kiegészítő információk.

## 2 Biztonsági és beszerelési útmutatások

**Vegye figyelembe a járműgyártó és a gépjárműszakma által előírt biztonsági megjegyzéseket és előírásokat.**

A gyártó a bekövetkező károkért a következő esetekben nem vállal felelősséget:

- szerelési vagy csatlakozási hiba
- a termék mechanikai behatások és helytelen csatlakozási feszültség miatti károsodása
- a termék kifejezett gyártói engedély nélküli módosítása
- az útmutatóban leírt céloktól eltérő felhasználás

### 2.1 A készülék kezelése



#### FIGYELMEZTETÉS!

- A tetőklíma-berendezés szerelését és javításait csak a kapcsolódó veszélyeket, illetve a vonatkozó előírásokat ismerő szakemberek végezhetik. A szakszerűtlen javítások jelentős veszélyeket okozhatnak. Javítás esetén forduljon az adott országban illetékes szervizközponthoz (a címek a hátoldalon találhatóak).
- **Az elektromos berendezések nem játékszerek.**  
A gyermekeket és a fogyatékkal élő személyeket tartsa távol az elektromos készülékektől. Ne hagyja, hogy felügyelet nélkül elektromos készülékeket használjanak.
- Azok a személyek, akik fizikai, érzékszervi vagy szellemi képességeik, illetve tapasztalatlanságuk vagy tudatlanságuk miatt nem képesek biztonságosan használni a készüléket, felelős személy felügyelete vagy útmutatásai nélkül nem használhatják ezt.
- Tűz esetén **ne** vegye le a tetőklíma-berendezés felső fedelét. Helyette használjon engedélyezett oldószereket. Az oltáshoz ne használjon vizet.



#### VIGYÁZAT!

- A tetőklíma-berendezést úgy kell biztonságosan felszerelni, hogy ne eshesen le.
- Csak akkor üzemeltesse a tetőklíma-berendezést, ha a ház és a vezetékek sérülésmentesek.
- A tetőklíma-berendezést ne alkalmazza gyúlékony folyadékok közelében vagy zárt térben.
- Ügyeljen arra, hogy a levegő távozásának útjába ne helyezzenek el vagy szereljenek fel éghető tárgyakat. A távolság legalább 50 cm legyen.
- Ne nyúljon a levegő kivezető nyílásaiba, és ne vezessen be idegen tárgyakat a készülékbe.



**FIGYELEM!**

- A készüléket csak rendeltetésszerűen használja.
- A tetőklíma-berendezés nem használható mezőgazdasági vagy építőipari járművekben.
- Ne végezzen módosításokat vagy átépítéseket a készüléken!
- Felszerelt tetőklíma-berendezés esetén tilos a lakóautóval mosóberendezésbe hajtani.
- A hűtőközegkörben előforduló hibák esetén a rendszer szakcéggel kell ellenőriztetni és megfelelően meg kell javítani. Tilos a hűtőközeget a légkörbe engedni.

**MEGJEGYZÉS**

- Érdeklődj meg járműve gyártójától, hogy klímaberendezés felszerelését követően szükség van-e műszaki felülvizsgálatra, és hogy módosítani kell-e a jármű dokumentumaiban szereplő magasságot:
  - FreshJet 3000: 240 mm-rel megnövelt magasság

## 2.2 Az elektromos vezetékek kezelése

**FIGYELMEZTETÉS!**

- Az áramellátást csatlakoztatását csak képzett villanszerelő végezheti.
- A készüléket a bekötésre vonatkozó országos előírásoknak megfelelően kell telepíteni.

**VIGYÁZAT!**

- A vezetékeket úgy csatlakoztassa és helyezze el, hogy ne keletkezzen botlásveszély, és a vezeték ne sérülhessen meg.

**FIGYELEM!**

- Ha a vezetékeket éles peremű falakon kell átvezetnie, akkor használjon kábelcsatornákat!
- Ne vezessen laza vagy élesen megtört vezetékeket elektromosan vezető anyagokon (fém).
- A vezetékekre ne fejtessen ki húzóerőt.

## 3 Az útmutató célcsoportja

Jelen útmutató műhelyek azon szakembereinek szól, akik ismerik az alkalmazandó irányelveket és biztonsági óvintézkedéseket.

## 4 A csomag tartalma

Szám, lásd: 1. ábra, 3. oldal	Mennyi- ség	Megnevezés
1	1	Tetőklíma-berendezés
2	1	Tetőlemez
3	1	Levegőelosztó doboz (ADB)
4	1	ADB középső burkolata
5	5	Átvezető elemek
6	3	Kábelcsatlakozók
7	4	Rögzítőcsavarok
8	1	Távirányító

## 5 Tartozékok

Tartozékként kapható (nincs mellékelve):

Megnevezés	Cikksz.
Kiegészítő átvezető elemek (minden egyes elem plusz 10 mm-t jelent)	4450017931
Hosszabb rögzítőcsavarok (80 – 120 mm-es tetővastagsághoz)	4450012023

## 6 Rendeltetészerű használat

A FreshJet 3000 klímaberendezéseket lakóautó vagy szabadidős jármű tetejére történő felszerelésre tervezték, hogy fordított ciklusú fűtést és hűtést biztosítsanak. A készüléket olyan járművekhez tervezték, amelyek tetővastagsága 20 és 100 mm között van. A készüléket úgy kell felszerelni, hogy a vízszintes síkkal  $\pm 10^\circ$ -os szöget zárjon be. Házakhoz vagy lakásokhoz **nem** alkalmas.

A tetőklíma-berendezés **nem** alkalmas építőipari járművekbe, mezőgazdasági gépekbe vagy hasonló berendezésekbe történő beszerelésre. Túl erős rezgések esetén a megfelelő működés nem biztosított.

A tetőklíma-berendezés működése  $-2^\circ\text{C}$  és  $52^\circ\text{C}$  közötti hőmérsékleten garantált.



### MEGJEGYZÉS

A tetőklíma-berendezéssel kapcsolatos további információk, például a műszaki leírások vagy a kezelés a kezelési útmutatóban található.

## 7 Jelölőmatricák

A tetőklíma-berendezésen jelölőmatricák vannak elhelyezve:

- Termékmatrixa (2. ábra 1, 3. oldal), az elektronikai doboz oldalán, az oldalsó nyíláson keresztül látható.
- ADB adatmatrixa az ADB közepső burkolatának belsejében (3. ábra 1, 3. oldal)

Ezek a jelölőmatricák a felhasználót és a szerelőt tájékoztatják a készülékspecifikációról.

## 8 Felszerelés



### VIGYÁZAT! Sérülésveszély

A tetőklíma-berendezés telepítését kizárólag képzett személyzet végezze. A következő információk olyan szakembereknek szólnak, akik ismerik az alkalmazandó irányelveket és a biztonsági óvintézkedéseket.

### 8.1 Telepítési útmutatások

A tetőklíma-berendezés telepítése előtt olvassa végig a jelen telepítési útmutatót.

A tetőklíma-berendezés szerelése során a következő tippeket és megjegyzéseket kell figyelembe venni:



### VESZÉLY! Áramütés miatti életveszély

A tetőklíma-berendezésen végzendő munkák előtt szakítsa meg az összes feszültségellátást.



### VIGYÁZAT! Sérülésveszély

- A tetőklíma-berendezés hibás felszerelése a készülék helyrehozhatatlan károsodását okozhatja és a felhasználó biztonságát veszélyeztetheti.
- A tetőklíma-berendezés nem a jelen szerelési útmutatónak megfelelő felszerelése esetén a gyártó sem üzemzavarokra, sem a tetőklíma-berendezés biztonságára, különösen nem a személyi sérülésekre és/vagy anyagi károkra vonatkozóan nem vállal semmilyen felelősséget.
- Valamennyi munkánál viselje az előírt védőruházatot (például védőszemüveget, védőkesztyűt).



### FIGYELEM! A termék károsodásának veszélye

- A tetőklíma-berendezés beszerelése során mindig vegye figyelembe a jármű stabilitását és a beszerelés során keletkező nyílások tömítését.
- A jármű tetejére mászás előtt ellenőrizze annak teherbírását. A tetőterhelések megengedett értékeit a járműgyártótól kérdezze meg.

### 8.1.1 Megjegyzések a szállításhoz

- Ügyeljen a kartondobozon a felfelé mutató nyílra. Ne szerelje fel az egységet, ha bármeddig fejjel lefelé állt (4. ábra A, 4. oldal).
- A tetőklíma-berendezést mindig ketten vigyék.
- A mozgatáshoz mindig emelje meg és ne húzza a tetőn a tetőklíma-berendezést (4. ábra B, 4. oldal).
- Az emeléshez ne használja a szellőzőréseket (4. ábra C, 4. oldal).

### 8.1.2 A felszerelés helyével kapcsolatos megjegyzés

- A tetőklíma-berendezés felszerelése előtt ellenőrizze, hogy a felszerelés következtében nem sérülnek-e a jármű szerkezeti elemei (például lámpák, szekrények, ajtók).
- Tisztázza a beszerelés előtt (a járműgyártó segítségével), hogy a felépítmény alkalmas-e a klímaberendezés statikus tömegének és a mozgásban lévő járművön fellépő terhelések felvételére. A tetőklíma-berendezés gyártója semmilyen felelősséget nem vállal.
- Lehetséges, hogy a jármű gyártója már kijelölt olyan pontokat, ahol anélkül alakítható ki nyílás a tetőklíma-berendezés felszerelése számára, hogy a szerkezet gyengítésének vagy a tápkábelek elvágásának veszélye állna fenn.
- A felszereléshez lapos és kellően sima területet válasszon a járműtető két hosszanti profilja között, középen.
- A felszerelés helyén a tető hajlásszöge nem lehet nagyobb 10°-nál.
- Ügyeljen arra, hogy a levegő távozásának útjába ne helyezzenek el vagy szereljenek fel éghető tárgyakat. A távolság legalább 50 cm legyen.
- Biztosítsa, hogy a jármű belső terében a légkifúvó egység rögzítése ne legyen akadályozva, és a lehűtött levegő az elfordítható légelosztó fúvókon keresztül kiáramolhasson.
- Biztonsági okok miatt a tetőklíma-berendezés beépítése során (fúrásnál, csavarozásnál stb.) ügyeljen a meglévő – különösen a nem látható – kábelkötegek, vezetékek és a szerelési tartományban lévő más részegységek elhelyezkedésére!

### 8.1.3 Megjegyzések az elektronikához

- A tetőklíma-berendezés elektromos csatlakoztatását kizárólag szakemberre bízza.
- Hasonlítsa össze a típustáblán szereplő feszültségadatokat a rendelkezésre álló energiaellátással.
- Ne vezesse a vezetékeket elektromosan vezető anyagokon (fém) szabadon vagy megtörve.

- Szereljen fel egy olyan összpólusú kapcsolót, amely a beszerelés oldalán legalább 3 mm széles csatlakozónyílással rendelkezik.
- Gondoskodjon arról, hogy a hálózati feszültségellátás rendelkezzen maradékáram-megszakítóval.
- Győződjön meg arról, hogy a légkondicionáló földelő kábele csatlakoztatva van a jármű földelő rendszeréhez.

A tetőklíma-berendezés kétféleképpen szerelhető fel:

- Új nyílás létrehozásával („Új nyílás létrehozása” fej., 197. oldal). Ebben az esetben a nyílást megfelelő kerettel kell megerősíteni.
- A jármű meglévő nyílásának használata, például tetőablaknyílás használata vagy régi légkondicionáló cseréje („Meglévő nyílásba történő beszerelés” fej., 198. oldal).

## 8.2 Új nyílás létrehozása

**Lásd: 5. ábra, 4. oldal**

- Válasszon ki a tetőn egy területet középen, két hosszanti profil között.
- Jelölje ki a nyílás helyét és méretét (lehetőleg 400 x 400 mm vagy opcionálisan 360 x 360 mm).

**Lásd: 6. ábra, 4. oldal**

- Fúrja ki a sarkokat **(A)**.
- Lyukfűrész vagy hasonló szerszám használatával óvatosan vágja ki a nyílást a tetőn **(B)**.
- Ennek során ügyeljen arra, hogy elektromos kábelek ne sérüljenek meg.

**Lásd: 7. ábra, 5. oldal**

- Tisztázza a beépítés előtt, hogy a tetőkivágást meg kell-e erősíteni.
- Ha igen, akkor távolítsa el a habanyagot a merevítőlécek (ezeket a csomag nem tartalmazza) szélességében **(A)**.
- Illessze be a merevítőléceket **(B)**.
- Ha szükséges, a tető megerősítése érdekében illesszen be megfelelő H alakú keretet.

## 8.3 Meglévő nyílásba történő beszerelés



### MEGJEGYZÉS

- A meglévő, **8.** ábra, 5. oldal szerinti tetőablaknyílások alkalmasak a tetőklíma-berendezés beszereléséhez.
- Különválasztva ártalmatlanítsa a hulladékanyagokat, ragasztót, szilikont és tömítéseket. Ennek során vegye figyelembe a hulladékkezelési irányelveket.
- A gyártó kizárólag a szállítmány részét képező alkatrészekért vállal felelősséget. A berendezés más gyártóktól származó alkatrészekkel történő beszerelése esetén a szavatosság érvényét veszti.

**Lásd: 8. ábra, 5. oldal**

- Távolítsa el a meglévő tetőablaknyílás vagy klímaberendezés összes csavarját és rögzítését.
- Vegye le a tetőablaknyílást vagy a klímaberendezést.

**Lásd: 9. ábra, 5. oldal**

- Távolítsa el a nyílás körüli tömítőanyagot kaparóval vagy hasonló eszközzel.

**Lásd: 10. ábra, 5. oldal**



### FIGYELEM!

Vegye figyelembe a tömítőanyag-gyártó útmutatásait.

- Rugalmas, nem kikeményedő butil tömítőanyaggal (pl. SikaLastomer-710, Selleys Butyl Mastic, Bostik ezycaulk butil tömítőanyag vagy hasonló termék) tömítse a furatokat és réseket.

## 8.4 A csatlakozóvezetékek elhelyezése



### VESZÉLY! Áramütés miatti életveszély

Elektromos hajtású komponenseken végzendő munkák előtt biztosítani kell, hogy azok már ne álljanak feszültség alatt!

A tetőklíma-berendezés csak olyan áramkörre csatlakoztatható, amely képes a szükséges áram biztosítására (lásd: Műszaki adatok c. rész a kezelési útmutatóban).

- Válassza meg a vezeték hosszának megfelelő vezeték-keresztmetszetet:
  - Hossz < 7,5 m: 1,5 mm<sup>2</sup>
  - Hossz > 7,5 m: 2,5 mm<sup>2</sup>

**Lásd: 11. ábra, 5. oldal**

- Az egyik oldalon alakítson ki nyílást, amelyen átvezethető az elektromos tápkábel.
- Vezesse a 240 V~ vezetékét a nyíláson keresztül a jármű belső terébe.

## 8.5 A tetőklíma-berendezés ADB-jének felszerelése



### **FIGYELEM! Sérülésveszély**

Vegye figyelembe a járműtető szerkezeti szilárdságát. A járműtetőnek alkalmasnak kell lennie a tetőklíma-berendezés súlyának hordozására. A tetőnek hosszú távon sem szabad benyomódnia vagy torzulnia az egység súlya miatt.

**Lásd: 12. ábra, 6. oldal**

- A nyílás méretének megfelelően igazítsa be a tetőkeretet.
- Helyezze be a tetőkeretet a tetőnyílásba.
- Rugalmas, nem kikeményedő butil tömítőanyaggal (pl. SikaLastomer-710, Selleys Butyl Mastic, Bostik ezycaulk butil tömítőanyag vagy hasonló termék) tömítse a tetőkeret körüli részeket.

**Lásd: 13. ábra, 6. oldal**

- Emelje a tetőklíma-berendezést a járműtetőre.
- Helyezze a tetőklíma-berendezést a tetőlemezre, és igazítsa be a fenéktálca hornyába.  
Vegye figyelembe a menetirányt.

### 8.5.1 A tetőklíma-berendezés rögzítése

**Lásd: 14. ábra, 6. oldal**

- A fenéktálca elején található sarkok segítségével igazítsa a tetőlemezhez az egységet.

### 8.5.2 Elektromos csatlakoztatás

Tétel (15. ábra, 7. oldal)	Megnevezés
1	220 – 240 V~ hálózati feszültség
2	Párologtató lemeze
3	Kommunikációs vezeték

<b>Tétel (15. ábra, 7. oldal)</b>	<b>Megnevezés</b>
4	Hőelvezető fém háló
5	Kondenzátor lemeze
6	Irányváltó szelep
7	Inverteres kompresszor
8	Párologtatóventilátor
9	Kondenzátorventilátor
10	Távozó levegő érzékelője
11	Elpárologtató érzékelője
12	Kondenzátor érzékelője
13	Ürités érzékelője
14	Induktor
ye	sárga
bn	barna
bu	kék
gn	zöld
vt	lila
rd	piros
wh	fehér
bk	fekete

**Lásd: 16. ábra, 7. oldal**

### 8.5.3 Hálózati csatlakozókábel

- Csatlakoztassa a tetőklíma-berendezést a hálózati áramellátásra. Csatlakoztassa a kábeleket **(1)** a kábelcsatlakozóra **(2)**.

### 8.5.4 Kommunikációs kábel

- A szűrőt kissé kihúzza teremtse hégagot a kommunikációs kábel **(3)** számára.
- Vezesse át a kommunikációs kábelt a hégagon, és helyezze el a nyílásban a vezetékét.

**Lásd: 17. ábra, 8. oldal**

- Illessze össze az átvezető elemeket, és igazítsa őket a tető vastagságához: a csatorna magassága egyezzen a tető magasságával. Iránymutatóként az alábbi táblázatot is használhatja:



Tetővastagság	Átvezető elemek száma
18 – 28 mm	1
28 – 38 mm	2
38 – 48 mm	3
48 – 58 mm	4
58 – 68 mm	5



### MEGJEGYZÉS

Vastagabb tetőkhöz plusz átvezető elemek vásárolhatók.

- Csatlakoztassa a szükséges számú átvezető elemet az ADB-re.
- A mellékelt 4 darab csavart a tetőklíma-berendezésen átvezetve rögzítse az ADB-t a mennyezetre.

Lásd: **18. ábra, 8. oldal**



### FIGYELEM! Sérülésveszély

Tartsa be a megadott meghúzási nyomatékot! Ne húzza túl!

- Nyomatékkulcs használatával,  $2,5 \text{ Nm} \pm 0,3 \text{ Nm}$  meghúzási nyomatékkal rögzítse a csavarokat.

## 8.5.5 Kommunikációs kábel

- Csatlakoztassa a 4 tűkés kommunikációs dugaszt az ADB-hez, a kijelző oldalán található aljzathoz (2).
- Ügyeljen arra, hogy a vezeték a szűrő területéről kivezető kis nyílásban legyen.
- Rögzítse a tartókba a felesleges vezetéket.
- Teljesen nyomja vissza a szűrőt.




Lásd: **19. ábra, 8. oldal**

- Pattintsa fel az ADB középső burkolatát.

Ezzel befejeződött a felszerelés. Csatlakoztassa a hálózatra és tesztelje a készüléket.

## 9 Műszaki adatok

Fluorozott üvegházhatású gázokat tartalmaz. Hermetikusan zárt berendezés.

	<b>FreshJet 3000</b>
Kompresszor hűtési teljesítménye:	3600 W
Hűtési teljesítmény az ISO 5151 szabvány alapján:	2516 W
Fűtési teljesítmény az ISO 5151 szabvány alapján:	3107 W
Névleges bemeneti feszültség:	220 V~ – 240 V~ / 50 Hz
Hűtés névleges áramerőssége:	7,5 A
Fűtés névleges áramerőssége:	6,1 A
Szükséges biztosíték:	10 A
Üzemelési hőmérséklet-tartomány:	-2 °C és +52 °C között
Hűtőközeg:	R-410A
Hűtőközeg mennyisége:	0,650 kg
CO <sub>2</sub> egyenérték:	1,357 t
Globális felmelegedési potenciál (GWP):	2088
Védelmi osztály (kültéri egység):	IPX4
Jármű javasolt max. hossza (szigetelt falakkal):	<6 m
Méretek (H x Sz x Ma) (járműtető feletti magasság):	997 x 665 x 240 mm
Súly:	37 kg
Vizsgálat/tanúsítvány:	  



Mobile living made easy.



---

**dometic.com**

---

**YOUR LOCAL  
DEALER**

**[dometic.com/dealer](https://dometic.com/dealer)**

**YOUR LOCAL  
SUPPORT**

**[dometic.com/contact](https://dometic.com/contact)**

**YOUR LOCAL  
SALES OFFICE**

**[dometic.com/sales-offices](https://dometic.com/sales-offices)**

---

A complete list of Dometic companies, which comprise the Dometic Group, can be found in the public filings of:  
**DOMETIC GROUP AB** Hemvärnsgatan 15 SE-17154 Solna Sweden