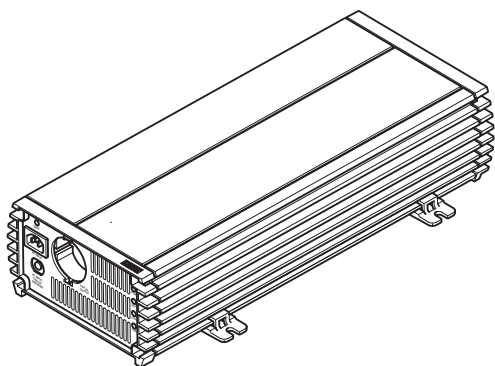


↗ DOMETIC

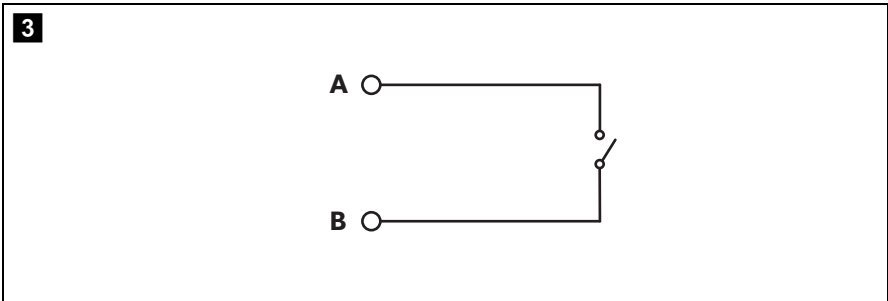
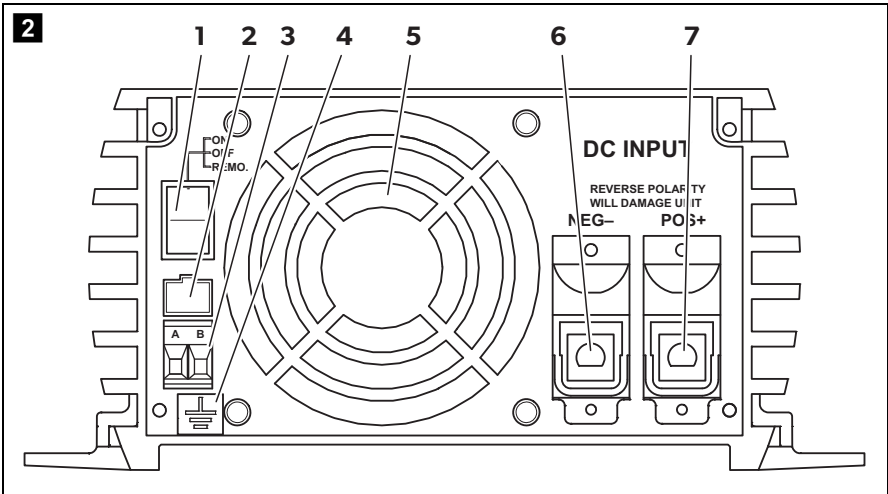
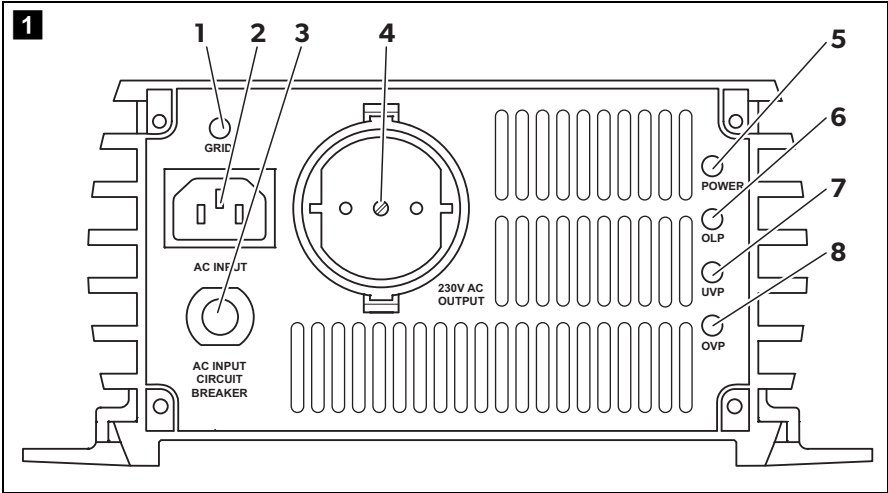
# ENERGY & LIGHTING PERFECTPOWER

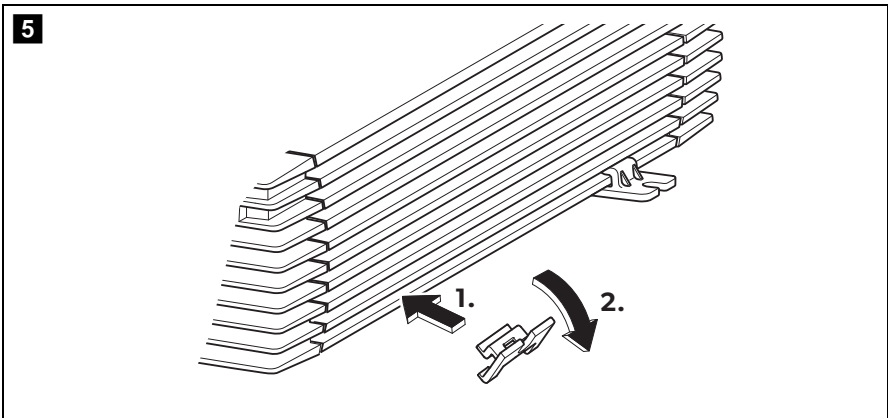
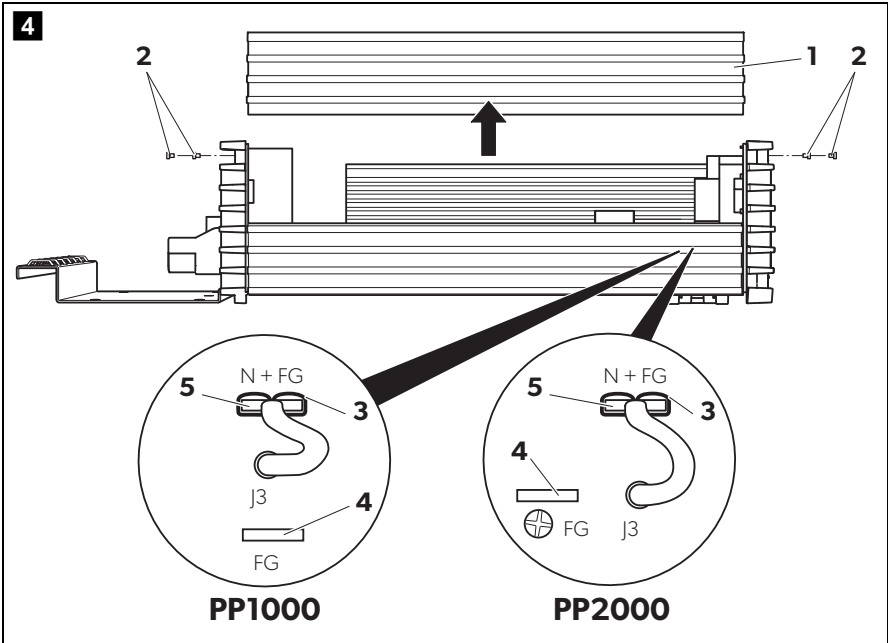


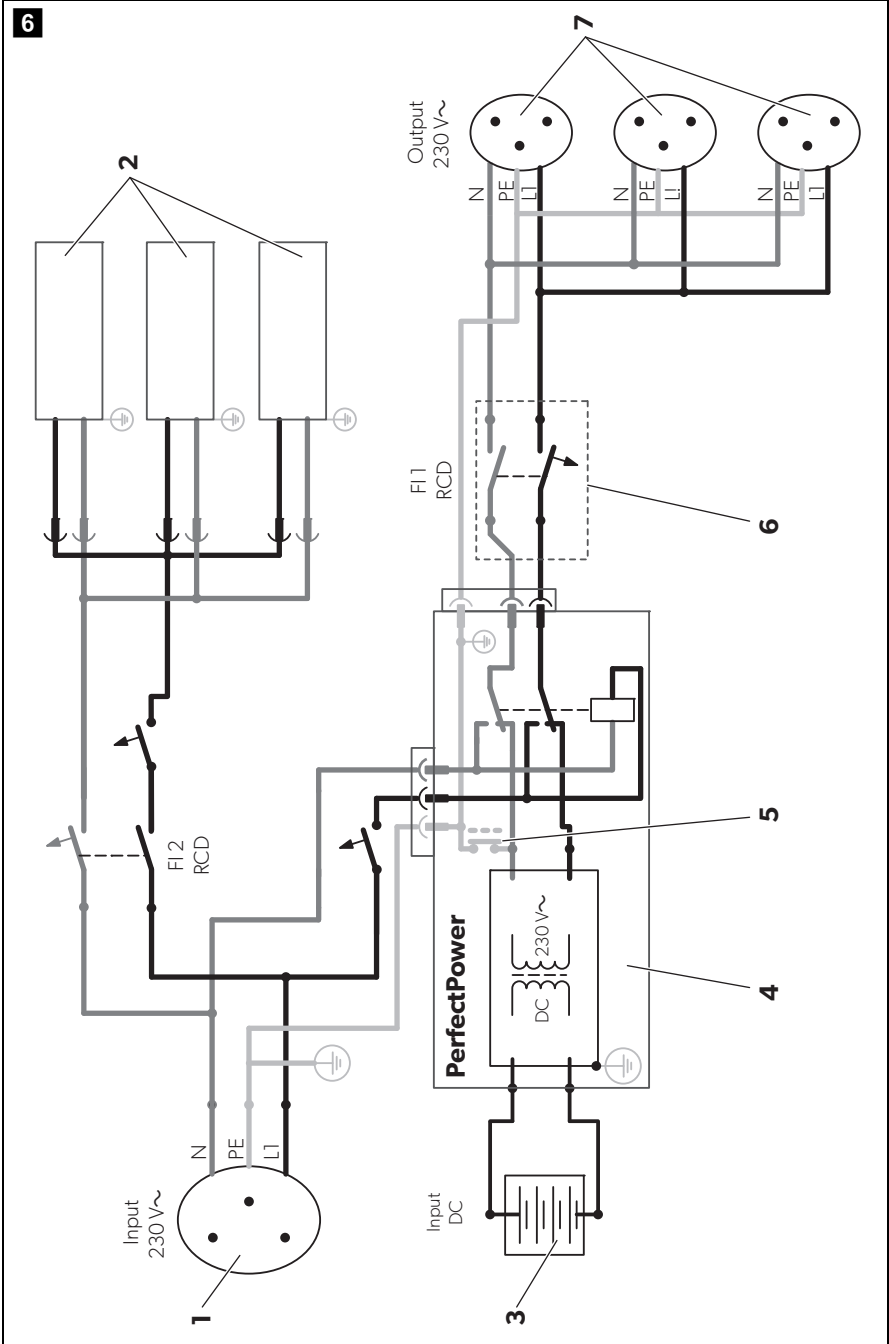
PP1002, PP1004, PP2002, PP2004

- EN Inverter with mains priority circuit**  
Installation and Operating Manual . . . . . 6
- DE Wechselrichter mit Netz-Vorrangschaltung**  
Montage- und Bedienungsanleitung . . . . . 23
- FR Onduleur avec commutation prioritaire du secteur**  
Instructions de montage et de service . . . . . 41
- ES Inversor de onda sinusoidal con conmutador de red de prioridad**  
Instrucciones de montaje y de uso . . . . . 59
- PT Conversor com ligação prioritária de rede**  
Instruções de montagem e manual de instruções . . . . . 77
- IT Inverter con commutazione di priorità di rete**  
Istruzioni di montaggio e d'uso . . . . . 95
- NL Inverter met netvoorrangsschakeling**  
Montagehandleiding en gebruiksaanwijzing . . . . . 113
- DA Ensretter med prioritetskobling til net**  
Monterings- og betjeningsvejledning . . . 131
- SV Växelriktare med nät-prioritetomkoppling**  
Monterings- och bruksanvisning . . . . . 149
- NO Vekselretter med nettprioritetskobling**  
Monterings- og bruksanvisning . . . . . 166
- FI Verkkoetusijaiskytkennällä varustettu vaihtomuunnin**  
Asennus- ja käyttöohje . . . . . 183
- RU Инвертор с приоритетной сетевой схемой**  
Инструкция по монтажу и эксплуатации 201
- PL Przetwornica z sieciowym przełącznikiem pierwszeństwa**  
Instrukcja montażu i obsługi . . . . . 220
- SK Menič napätia so sieťovým prioritným spínaním**  
Návod na montáž a uvedenie do prevádzky . . . . . 238
- CS Měníč s prioritním síťovým spínáním**  
Návod k montáži a obsluze . . . . . 257
- HU Inverter hálózati elsőbbségi kapcsolással**  
Szerelési és használati útmutató . . . . . 274









**Please read this instruction manual carefully before installation and first use, and store it in a safe place. If you pass on the product to another person, hand over this instruction manual along with it.**

## Table of contents

1	Explanation of symbols . . . . .	7
2	General safety instructions . . . . .	7
3	Scope of delivery . . . . .	8
4	Accessories . . . . .	9
5	Target group for this manual. . . . .	9
6	Intended use . . . . .	9
7	Technical description . . . . .	10
8	Fastening and connecting the inverter . . . . .	12
9	Using the inverter . . . . .	17
10	Cleaning and caring for the inverter. . . . .	18
11	Rectifying faults . . . . .	19
12	Guarantee . . . . .	20
13	Disposal . . . . .	20
14	Technical data . . . . .	21

# 1 Explanation of symbols

**WARNING!**

**Safety instruction:** Failure to observe this instruction can cause fatal or serious injury.

**NOTICE!**

Failure to observe this instruction can cause material damage and impair the function of the product.

**NOTE**

Supplementary information for operating the product.

## 2 General safety instructions

The manufacturer accepts no liability for damage in the following cases:

- Faulty assembly or connection
- Damage to the product resulting from mechanical influences and excess voltage
- Alterations to the product without express permission from the manufacturer
- Use for purposes other than those described in the operating manual

### 2.1 General safety

**WARNING!**

- Use the device only as intended.
- Maintenance and repair work may only be carried out by qualified personnel who are familiar with the risks involved and the relevant regulations.
- People (including children) whose physical, sensory or mental capacities or whose lack of experience or knowledge prevent them from using this product safely should not use it without the supervision or instruction of a responsible person.
- **Electrical devices are not toys!**  
Always keep and use the device well out of the reach of children.

## 2.2 Safety when installing the device



### WARNING!

- Installing the device may only be performed by qualified personnel who are familiar with the guidelines and safety precautions to be applied.
- If electrical devices are incorrectly installed on boats, corrosion damage might occur. The device should be installed by a specialist (marine) electrician.

## 2.3 Operating the device safely



### WARNING!

Note the following basic safety information when using electrical devices to protect against:

- Electric shock
  - Fire hazards
  - Injury
- Operate the device only if you are certain that the housing and the cables are undamaged.
  - Make sure the air inlets and outlets of the device are not covered.
  - Ensure good ventilation. The inverter produces dissipated heat which has to be diverted.
  - Always disconnect the power supply when working on the device.

## 3 Scope of delivery

Quantity	Designation
1	Inverter
1	230 V connection cable
4	Mounting brackets
1	Mounting plate
2	Cable terminal
1	Operating manual



## 4 Accessories

Available as accessories (not included in the scope of delivery):

Description	Ref. no.
Remote control MCR9	9600000091

If you have questions in respect of the accessories, please contact your local service partner.

## 5 Target group for this manual

The chapter “Connecting the inverter” on page 13 is solely intended for qualified professionals who are familiar with the relevant VDE (German Engineering Society) regulations!

All other chapters are intended for the users.

## 6 Intended use



### WARNING!

Never use the inverter on vehicles where the positive terminal of the battery is connected to the chassis.

Inverters PP1002, PP1004, PP2002 and PP2004 are used for supplying power to 230 V consumers with a 12 V or 24 V power supply:

- **12 V:** PP1002 and PP2002
- **24 V:** PP1004 and PP2004

The inverters are suitable for use in caravans, commercial vehicles and motor and sailing vessels.

## 7 Technical description

Inverters PP1000 and PP2000 consist of two function units:

- Inverter switch: generates 230 V $\sim$  power from a battery voltage of
  - **12 V:** PP1002 and PP2002
  - **24 V:** PP1004 and PP2004
- Mains priority circuit: switches automatically between 230 V of external mains voltage (e.g. on a camping site) and a battery generated 230 V power supply  
The external supply has priority. If no more external voltage is available, the output socket is disconnected from the external power supply and connected to the inverter voltage. This ensures that the output socket always has a power supply of 230 V.

From inverter operation to mains power supply:

There is a delay when switching from inverter operation (whereby the 230 V $\sim$  power is produced from the battery voltage) to the mains power supply.

When the plug is inserted in the outside socket (camping site, harbour) the inverter is switched off after a delay of approx. 4 s. After a further 2 s, the mains power supply is switched through. This gives the devices connected enough time to switch off properly.

From mains power to inverter operation:

A delay also occurs when switching from mains power to inverter operation.

If the mains supply fails, the inverter switches on after 2 seconds.



### NOTICE!

When switching over, any devices connected should be switched off. Because they do not receive voltage for 2 s, they may have to be switched back on.

The inverter is equipped with protection against thermal and electrical overloading, as well as excess and insufficient voltage. The inverter switches off:

- If its internal temperature is too high
- If the load exceeds the values listed in the technical data
- If the input voltage is too high or too low

A single consumer or a socket distribution system can be connected to the inverter to create an on-board 230 V supply with several sockets.

The device is equipped at delivery with galvanic isolation. For the safe operation of multiple consumers, it is essential that a circuit breaker (residual current circuit breaker) is built into the socket distribution circuit and the grounding bridge is set in the inverter.

**NOTE**

Note when connecting devices with an electrical drive (such as power drills and refrigerators), that they often need more power than is stated on the type plate.

The inverter can be switched on manually or using a remote control.

Cooling is provided by a fan and is load-dependent.

## 7.1 Control elements

**NOTE**

The version for continental Europe is pictured.

### Front view (fig. 1, page 3)

No.	Description
1	<b>Grid:</b> This LED lights up if the inverter is supplied with external 230 V mains power; the priority circuit is active.
2	Connection for the external 230 V power supply
3	Circuit breaker: Fuse
4	230 V~ output
5	<b>POWER:</b> This LED lights up when the inverter is switched on.
6	<b>OLP:</b> This LED lights up when the consumers connected draw too much electricity.
7	<b>UVP:</b> This LED lights up when battery capacity is too weak.
8	<b>OVP:</b> This LED lights up when the input voltage is too high.

**Rear view (fig. 2, page 3)**

No.	Description
1	Main switch
2	Connection for MCR9 remote control
3	Connection for an external switch contact
4	Earth connection
5	Fan
6	Negative terminal
7	Positive terminal

## 8 Fastening and connecting the inverter

### 8.1 Fastening the inverter

**WARNING!**

- Ensure the device is standing firmly.  
Set up the device securely and fasten it in such a way that
  - it cannot tip over or fall down
  - it cannot move while the vehicle is in motion
- Take precautions necessary to ensure that it is out of reach of children. Dangerous situations may occur which cannot be recognised by children!

You can fasten the inverter using the holders supplied.

When selecting the installation location, observe the following instructions:

- Do **not** operate the device
  - in wet or damp environments
  - in dusty environments
  - in the vicinity of flammable materials
  - in spaces where there is a danger of explosion
- Do not expose the device to a heat source (such as direct sunlight or heating).  
Avoid additional heating of the device in this way.
- Make sure the cables are the correct length and choose the installation location near the battery supply.

- Select a well-ventilated location for the device.  
A ventilation system must be present for installations in small, enclosed spaces.
- Make sure that the air intake on the front of the inverter remains clear.
- Select a mounting surface which is flat and sufficiently firm.

Fasten the inverter as follows (fig. **5**, page 4):

**NOTICE!**

Before drilling any holes, make sure that no electrical cables or other parts of the vehicle can be damaged by drilling, sawing and filing.

- Clip two holders on the left bar and two on the lower right bar.  
You can move the holders as required.
- Fasten the inverter by screwing one screw through each hole in the holder.

## 8.2 Connecting the inverter

**WARNING!**

The inverter may only be connected by a qualified workshop.  
The following information is intended for specialists who are familiar with the guidelines and safety precautions to be applied.

Observe the following safety instructions for the electrical connections:

**NOTICE!****• Caution – Risk of short circuit!**

- When working on the vehicle, always disconnect the earth connection to the supply battery.
- Disconnect the 230 V external power supply to the caravan.
- If you have to feed cables through metal walls or other walls with sharp edges, use ducts or tubes to prevent damage.
- Do not lay cables which are loose or bent next to electrically conductive material (metal).
- Fasten the cables securely.
- Do not pull on the cables.
- Do not lay the 230 V mains cable and the 12/24 V DC cable in the same duct.
- Lay the cables so that they cannot be tripped over or damaged.



### **WARNING! Danger of electrocution!**

If you wish to connect more than one consumer to the inverter and install a socket distributor loop, you must arrange a circuit breaker (residual current circuit breaker) and set a grounding bridge in the inverter, see chapter “Connecting multiple consumers” on page 15.

## **Earthing the inverter**

- Connect the earth connection on the inverter (fig. **2** 4, page 3) with the earth of the vehicle.

## **Connecting the inverter to the battery**



### **NOTE**

Please be aware that all volatile memories of the connected electric consumers will lose their stored data if the battery is disconnected.



### **NOTICE!**

Make sure the polarity is correct. If the positive and negative connections are reversed, this may damage the device.

- Connect the terminal on the red battery connection cable to the positive terminal (fig. **2** 7, page 3) on the inverter.
- Connect the terminal on the black battery connection cable to the negative terminal (fig. **2** 6, page 3) on the inverter.
- Check the connections are secure.  
You might have to tighten the screws again later.



### **NOTE**

Sparks may be produced when the connections are made due to the internal capacitors being charged.

- Connect the red battery connection cable to the positive terminal on the battery.
- Connect the black battery connection cable to the negative terminal on the battery.

### Connecting the inverter to the 230 V mains supply

- Plug the 230 V connection cable into the connector for the 230 V power supply to the inverter (fig. **1** 2, page 3).
- Connect the 230 V connection cable to a 230 V socket in the vehicle.

### Connecting the remote control to the inverter

- Switch off the inverter.
- Insert the cable end of the remote control into the connection (fig. **2** 2, page 3).
- Set the main switch (fig. **2** 1, page 3) to "Remote".

### Connecting the external switch contact to the inverter

- Switch off the inverter.
- Connect the external switch contact (power supply from the inverter) at the remote port (fig. **2** 3, page 3) in accordance with the wiring diagram (fig. **3**, page 3),
- Set the main switch (fig. **2** 1, page 3) to "Remote".



#### NOTE

If you wish to use an external switch contact with a power supply of its own, e.g. the ignition, you must interconnect a suitable relay.

## 8.3 Connecting multiple consumers



#### WARNING! Danger of electrocution!

If you wish to connect more than one consumer to the inverter and install a socket distribution circuit, you must arrange a circuit breaker (residual current circuit breaker) and set a grounding bridge in the inverter. The grounding bridge may only be connected by a trained professional who is familiar with the relevant VDE (German Engineering Society) regulations.

The device is equipped at delivery with galvanic isolation. For the safe operation of multiple consumers, it is essential that a circuit breaker (residual current circuit breaker) is built into the socket distribution circuit, see sample circuit diagram in fig. **6**, page 5.

Sample circuit diagram legend:

No. in fig. <b>6</b> , page 5	Explanation
1	230 V~ power source
2	Additional devices, e.g. battery charger, refrigerator
3	DC power source (battery)
4	Inverter
5	Grounding bridge set (At delivery: not set, shown by dotted line)
6	Circuit breaker (residual current circuit breaker)
7	Socket distribution circuit for consumers

- Install a residual current circuit breaker in the socket distribution circuit.

### Setting grounding bridge (fig. **4**, page 4)



#### **WARNING! Danger of electrocution!**

The grounding bridge may only be connected by a trained professional who is familiar with the relevant VDE (German Engineering Society) regulations.



#### **NOTE**

The grounding bridge plug is always plugged into socket "FG" (insulated AC current) when delivered.

- Unscrew the top four fastening screws **(2)** on the front of the device with a hex key.
- Take off the cover **(1)**.



#### **NOTICE!**

The grounding bridge is changed with sockets "FG" and "N + FG". Do not alter the other sockets, otherwise the device may be damaged.

- Remove the plug **(3)** from socket "FG" **(4)**.
- Insert the plug **(3)** into socket "N + FG" **(5)**.
- Replace the device cover **(1)** and fix using the screws **(2)**.



## 9 Using the inverter



### NOTICE!

**If no circuit breaker is present:** If the inverter is connected to the external mains voltage, the 230 V output socket is earthed. If there is no external mains voltage, the inverter is only connected to the battery (DC operation). In this case, the 230 V output socket is not earthed, but safeguarded with the protective insulation instead.



### NOTICE! Risk of short circuit!

You must switch on the inverter first before switching on the consumers.

When using the inverter, observe the following instructions:

- If the battery voltage drops below the alarm value during operation (see “Low voltage alarm” in chapter “Technical data” on page 21), a warning signal sounds and LED “UVP” (fig. **1** 7, page 3) lights up.
  - If the battery voltage drops below the shutdown value (See “Low voltage shutdown” in chapter “Technical data” on page 21), the inverter switches off.
  - If the inverter overheats, it switches off and LED “OLP” (fig. **1** 6, page 3) lights up.  
After it cools down, the inverter automatically switches back on.
  - When operating the inverter at a high load for lengthy periods, it is advisable to start the engine in order to recharge the vehicle battery.
- Connect your consumer to the 230 V output (fig. **1** 4, page 3).  
You can also connect a socket distribution system.

### 9.1 Using the inverter without remote control

- Set the main switch (fig. **2** 1, page 3) to
  - “ON” to switch the inverter on
  - “OFF” to switch the inverter off
- ✓ LED “POWER” lights up when the inverter is switched on.

## 9.2 Using the inverter with a remote control



### NOTE

Refer to the operating instructions of the remote control which are also included in the scope of delivery.

- ▶ Set the main switch (fig. **2** 1, page 3) to "Remote".
- ▶ Switch the inverter on or off using
  - the buttons on the remote control **or**
  - the external switch contact
- ✓ LED "POWER" lights up when the inverter is switched on.

## 10 Cleaning and caring for the inverter



### NOTICE!

Do not use sharp or hard objects or cleaning agents for cleaning as these may damage the product.

- ▶ Occasionally clean the product with a damp cloth.

# 11 Rectifying faults

Fault	Cause	Remedy
No output voltage	No contact to the battery	Check contact and cable. Switch on the ignition if necessary.
	Overheating	Switch off the consumer. Let the inverter cool down and ensure better ventilation. If necessary, reduce the constant load.
	Input voltage too high	Check the input voltage on the inverter and compare with the technical data for the inverter.
	Defective fuse (in the inverter or the vehicle)	Replace the fuse with one of the same specifications.
	Defective device	Replace the device.
The device switches on and off repeatedly	Excessive constant load	Reduce the load.
The inverter switches off when the consumers are switched on	Starting current too high	Compare consumer power with the maximum power from the inverter.
The output voltage is too low	Battery voltage is lower than shutdown value (see "Low voltage shutdown" in chapter "Technical data" on page 21)	Charge the battery (start the engine).



## NOTE

The output voltage can only be measured correctly with a True-RMS measuring device.

## 12 Guarantee

The statutory warranty period applies. If the product is defective, please contact the manufacturer's branch in your country (see the back of the instruction manual for the addresses) or your retailer.

For repair and guarantee processing, please include the following documents when you send in the device:

- A copy of the receipt with purchasing date
- A reason for the claim or description of the fault

## 13 Disposal

- Place the packaging material in the appropriate recycling waste bins wherever possible.



If you wish to finally dispose of the product, ask your local recycling centre or specialist dealer for details about how to do this in accordance with the applicable disposal regulations.

## 14 Technical data



### NOTE

The constant output in the technical data may be reduced for ambient temperatures of more than 40 °C (e.g. in engine or heating compartments or direct sunlight).

The following technical data applies to all inverters:

	<b>PP1002 PP2002</b>	<b>PP1004 PP2004</b>
Output voltage:	230 V <sub>rL</sub>	
Output frequency:	50 Hz ± 2 Hz	
Idle current consumption:	< 1.5 A	< 1.5 A
Efficiency at constant load:	> 85 %	
Input voltage range:	11 – 15 V <sub>DC</sub>	22 – 30 V <sub>DC</sub>
Mains input voltage:	230 V <sub>~</sub>	
Low voltage alarm:	11 V	22 V
Low voltage shutdown:	10.5 V	21 V
Low voltage restart:	12.2 V	24.4 V
Excess voltage shutdown:	15.5 V	30.5 V
Overload shutdown:	130 %	
Excess temperature shutdown:	80 °C	
Priority circuit fuse:	10 A	
Ambient temperature – storage: – operation:	–30 °C – +70 °C 0 °C – +40 °C	
Humidity – storage: – operation:	20 % – 90 % 10 % – 95 %	
Testing/certification:		

	<b>PP1002</b>	<b>PP1004</b>
Constant output power:	1000 W	
Peak output power:	2000 W	
DC fuse:	30 A x 4	15 A x 4
Dimensions W x L x H:	176 x 338 x 95 mm	
Weight:	3.5 kg	

	<b>PP2002</b>	<b>PP2004</b>
Constant output power:	2000 W	
Peak output power:	4000 W	
DC fuse:	30 A x 8	15 A x 8
Dimensions W x L x H:	176 x 443 x 95 mm	
Weight:	5 kg	

**Bitte lesen Sie diese Anleitung vor Einbau und Inbetriebnahme sorgfältig durch und bewahren Sie sie auf. Geben Sie sie im Falle einer Weitergabe des Produktes an den Nutzer weiter.**

## **Inhaltsverzeichnis**

1	Erklärung der Symbole . . . . .	24
2	Allgemeine Sicherheitshinweise . . . . .	24
3	Lieferumfang . . . . .	26
4	Zubehör . . . . .	26
5	Zielgruppe dieser Anleitung . . . . .	26
6	Bestimmungsgemäßer Gebrauch . . . . .	27
7	Technische Beschreibung . . . . .	27
8	Wechselrichter befestigen und anschließen . . . . .	30
9	Wechselrichter benutzen . . . . .	35
10	Wechselrichter pflegen und reinigen . . . . .	36
11	Fehlerbeseitigung . . . . .	37
12	Gewährleistung . . . . .	38
13	Entsorgung . . . . .	38
14	Technische Daten . . . . .	39

# 1 Erklärung der Symbole

**WARNUNG!**

**Sicherheitshinweis:** Nichtbeachtung kann zu Tod oder schwerer Verletzung führen.

**ACHTUNG!**

Nichtbeachtung kann zu Materialschäden führen und die Funktion des Produktes beeinträchtigen.

**HINWEIS**

Ergänzende Informationen zur Bedienung des Produktes.

## 2 Allgemeine Sicherheitshinweise

Der Hersteller übernimmt in folgenden Fällen keine Haftung für Schäden:

- Montage- oder Anschlussfehler
- Beschädigungen am Produkt durch mechanische Einflüsse und Überspannungen
- Veränderungen am Produkt ohne ausdrückliche Genehmigung vom Hersteller
- Verwendung für andere als die in der Anleitung beschriebenen Zwecke

### 2.1 Allgemeine Sicherheit

**WARNUNG!**

- Benutzen Sie das Gerät nur zu seinem bestimmungsgemäßen Gebrauch.
- Die Wartung und Reparatur darf nur durch eine Fachkraft geschehen, die mit den damit verbundenen Gefahren bzw. einschlägigen Vorschriften vertraut ist.
- Personen (einschließlich Kinder), die aufgrund ihrer physischen, sensorischen oder geistigen Fähigkeiten oder ihrer Unerfahrenheit oder Unkenntnis nicht in der Lage sind, das Produkt sicher zu benutzen, sollten dieses Produkt nicht ohne Aufsicht oder Anweisung durch eine verantwortliche Person nutzen.



- **Elektrogeräte sind kein Kinderspielzeug!**

Verwahren und benutzen Sie das Gerät außerhalb der Reichweite von Kindern.

## 2.2 Sicherheit bei der Installation des Gerätes



### WARNUNG!

- Die Installation des Gerätes darf ausschließlich von entsprechend ausgebildeten Fachbetrieben durchgeführt werden, die mit den anzuwendenden Richtlinien und Sicherheitsvorkehrungen vertraut sind.
- Bei falscher Installation elektrischer Geräte auf Booten kann es zu Korrosionsschäden am Boot kommen. Die Installation des Gerätes sollte von einem fachkundigen (Boots-)Elektriker durchgeführt werden.

## 2.3 Sicherheit beim Betrieb des Gerätes



### WARNUNG!

Beachten Sie folgende grundsätzliche Sicherheitsmaßnahmen beim Gebrauch von elektrischen Geräten zum Schutz vor:

- elektrischem Schlag
  - Brandgefahr
  - Verletzungen
- 
- Betreiben Sie das Gerät nur, wenn das Gehäuse und die Leitungen unbeschädigt sind.
  - Achten Sie darauf, dass Luftein- und Ausgänge des Geräts nicht verdeckt werden.
  - Achten Sie auf gute Belüftung. Der Wechselrichter produziert Verlustwärme, die abgeführt werden muss.
  - Unterbrechen Sie bei Arbeiten am Gerät immer die Stromversorgung.

### 3 Lieferumfang

Menge	Bezeichnung
1	Wechselrichter
1	230-V-Anschlusskabel
4	Montagehalterungen
1	Montageblech
2	Kabelschuhe
1	Bedienungsanleitung

### 4 Zubehör

Als Zubehör erhältlich (nicht im Lieferumfang enthalten):

Bezeichnung	Art.-Nr
Fernbedienung MCR9	9600000091

Bei Fragen zu Zubehör wenden Sie sich bitte an Ihren Service-Partner.

### 5 Zielgruppe dieser Anleitung

Das Kapitel „Wechselrichter anschließen“ auf Seite 31 wendet sich ausschließlich an Fachleute, die mit den entsprechenden VDE-Richtlinien vertraut sind.

Alle übrigen Kapitel wenden sich auch an die Benutzer des Gerätes.

## 6 Bestimmungsgemäßer Gebrauch



### WARNUNG!

Der Wechselrichter darf nicht in Fahrzeugen eingesetzt werden, bei denen der Plus-Pol der Batterie mit dem Chassis verbunden ist.

Die Wechselrichter PP1002, PP1004, PP2002 und PP2004 dienen zur Spannungsversorgung von 230-V-Verbrauchern an einer 12-V- oder 24-V-Spannungsversorgung:

- **12 V:** PP1002 und PP2002
- **24 V:** PP1004 und PP2004

Die Wechselrichter sind geeignet für die Nutzung in Reisemobilen, Nutzfahrzeugen sowie Motor- und Segelyachten.

## 7 Technische Beschreibung

Die Wechselrichter PP1000 und PP2000 bestehen aus zwei Funktionseinheiten:

- Wechselrichter-Schaltung: generiert eine 230-V-Wechselspannung aus einer Batteriespannung von
  - **12 V:** PP1002 und PP2002
  - **24 V:** PP1004 und PP2004
- Netz-Vorrangschaltung: schaltet automatisch zwischen 230-V-Fremd-Netzspannung (z. B. vom Campingplatz) und aus einer Batterie generierten 230-V-Spannung um

Vorrang hat die Fremd-Netzspannung: Nur wenn keine externe Spannung mehr vorhanden ist, wird die Ausgangssteckdose vom externen Spannungskreis getrennt und mit dem Spannungskreis des Wechselrichters verbunden. So ist sichergestellt, dass immer eine 230-V-Spannung an der Ausgangssteckdose anliegt.

Vom Inverterbetrieb zur Landstromversorgung:

Die Umschaltung vom Inverterbetrieb, bei dem die 230-V-Wechselspannung aus der Batteriespannung erzeugt wird, zur Landstromversorgung erfolgt verzögert.

Mit Einstecken des Steckers in die Außensteckdose (Campingplatz, Hafen) wird nach einer Verzögerungszeit von ca. 4 s der Inverter ausgeschaltet. Nach weiteren 2 s wird der Landstrom durchgeschaltet. Hierdurch wird den angeschlossenen Geräten Zeit zum sauberen Abschalten gegeben.

Vom Landstrom zum Inverterbetrieb:

Die Umschaltung vom Landstrom zum Inverterbetrieb ist ebenso mit einer Verzögerung behaftet.

Fällt der Landstrom aus, schaltet sich der Inverter nach 2 Sekunden ein.

**ACHTUNG!**

Angeschlossene Geräte sollten beim Umschalten ausgeschaltet sein. Da sie für 2 s keine Spannung bekommen, müssen sie eventuell wieder eingeschaltet werden.

Der Wechselrichter ist mit einem thermischen und einem elektrischen Überlastungsschutz sowie einem Unter- und Überspannungsschutz ausgestattet. Der Wechselrichter schaltet ab:

- wenn die interne Temperatur des Wechselrichters zu hoch ist
- wenn die Belastung die Leistungswerte übersteigt, die in den Technischen Daten genannt sind
- wenn die Eingangsspannung zu niedrig oder zu hoch ist

An den Wechselrichter kann ein einzelner Verbraucher angeschlossen werden oder ein Steckdosen-Verteilersystem, um ein 230-V-Bordnetz mit mehreren Steckdosen zu realisieren.

Das Gerät ist im Lieferzustand mit galvanischer Trennung ausgestattet. Zum sicheren Betrieb von mehreren Verbrauchern ist es zwingend notwendig, dass im Steckdosenverteilerkreis ein Schutzschalter (FI-Schalter) eingebaut und die Erdungsbrücke im Wechselrichter gesetzt wird.

**HINWEIS**

Beachten Sie beim Anschluss von Geräten mit elektrischem Antrieb (z. B. Bohrmaschine, Kühlschrank usw.), dass diese zum Anlaufen oft eine höhere Leistung benötigen als auf dem Typenschild angegeben.

Der Wechselrichter kann manuell oder mit einer Fernbedienung eingeschaltet werden.

Die Kühlung erfolgt über einen lastabhängig gesteuerten Lüfter.

## 7.1 Bedienelemente



### HINWEIS

Abgebildet ist die Version für Kontinentaleuropa.

### Vorderansicht (Abb. **1**, Seite 3)

Nr.	Beschreibung
1	<b>Grid:</b> Diese LED leuchtet, wenn der Wechselrichter von einer externen 230-V-Netzspannung versorgt wird; die Vorrangschaltung ist aktiv.
2	Anschluss für die externe 230-V-Spannungsversorgung
3	Circuit Breaker: Sicherung
4	230-V~ -Ausgang
5	<b>POWER:</b> Diese LED leuchtet, wenn der Wechselrichter eingeschaltet ist.
6	<b>OLP:</b> Diese LED leuchtet, wenn die angeschlossenen Verbraucher zu viel Strom aufnehmen.
7	<b>UVP:</b> Diese LED leuchtet, wenn die Batteriekapazität zu schwach ist.
8	<b>OVP:</b> Diese LED leuchtet, wenn die Eingangsspannung zu hoch ist.

### Rückansicht (Abb. **2**, Seite 3)

Nr.	Beschreibung
1	Hauptschalter
2	Anschluss Fernbedienung MCR9
3	Anschluss für externen Schaltkontakt
4	Masseanschluss
5	Lüfter
6	Minusklemme
7	Plusklemme

# 8 Wechselrichter befestigen und anschließen

## 8.1 Wechselrichter befestigen



### WARNUNG!

- Achten Sie auf einen sicheren Stand!  
Stellen Sie das Gerät sicher auf und befestigen Sie es so, dass
  - es nicht umstürzen oder herabfallen kann
  - ein Bewegen während der Fahrt nicht möglich ist
- Sichern Sie das Gerät so, dass Kinder keinen Zugriff darauf haben. Es können Gefahren entstehen, die von Kindern nicht erkannt werden.

Sie können den Wechselrichter mit den beiliegenden Halterungen befestigen.

Beachten Sie folgende Hinweise bei der Wahl des Montageortes:

- Betreiben Sie das Gerät **nicht** in
  - feuchter oder nasser Umgebung
  - staubiger Umgebung
  - Umgebungen mit entflammaren Materialien
  - explosionsgefährdeten Räumen
- Setzen Sie das Gerät keiner Wärmequelle (Sonneneinstrahlung, Heizung usw.) aus. Vermeiden Sie so zusätzliche Erwärmung des Gerätes.
- Beachten Sie die Kabellängen und wählen Sie einen Montageort nahe der Versorgungsbatterie.
- Wählen Sie einen gut belüfteten Montageort.  
Bei Installationen in geschlossenen kleinen Räumen sollte eine Be- und Entlüftung vorhanden sein.
- Achten Sie darauf, dass der Lufteintritt an den Stirnseiten des Wechselrichters freibleibt.
- Wählen Sie eine Montagefläche, die eben ist und eine ausreichende Festigkeit aufweist.

Befestigen Sie den Wechselrichter wie folgt (Abb. **5**, Seite 4):



### **ACHTUNG!**

Bevor Sie irgendwelche Bohrungen vornehmen, stellen Sie sicher, dass keine elektrischen Kabel oder andere Teile des Fahrzeugs durch Bohren, Sägen und Feilen beschädigt werden.

- ▶ Klipsen Sie je zwei Halterungen auf den linken und rechten unteren Steg. Sie können die Halterungen anschließend beliebig verschieben.
- ▶ Schrauben Sie den Wechselrichter fest, indem Sie jeweils eine Schraube durch die Bohrungen in den Halterungen schrauben.

## **8.2 Wechselrichter anschließen**



### **WARNUNG!**

Der Anschluss des Wechselrichters darf ausschließlich von entsprechend ausgebildeten Fachbetrieben durchgeführt werden. Die nachfolgenden Informationen richten sich an Fachkräfte die mit den anzuwendenden Richtlinien und Sicherheitsvorkehrungen vertraut sind.

Beachten Sie folgende Sicherheitshinweise beim elektrischen Anschluss:



### **ACHTUNG! Kurzschlussgefahr!**

- Trennen Sie bei Arbeiten am Fahrzeug immer die Masse-Verbindung zur Versorgungsbatterie.
- Trennen Sie die 230-V-Fremdversorgung zum Wohnmobil.
- Wenn Sie Leitungen durch Blechwände oder andere scharfkantige Wände führen müssen, benutzen Sie Leerrohre oder Leitungsdurchführungen.
- Verlegen Sie Leitungen nicht lose oder scharf abgeknickt an elektrisch leitenden Materialien (Metall).
- Befestigen Sie die Leitungen gut.
- Ziehen Sie nicht an Leitungen.
- Verlegen Sie 230-V-Netzleitung und 12/24-V-Gleichstromleitung nicht zusammen im gleichen Leitungskanal (Leerrohr).
- Verlegen Sie die Leitungen so, dass keine Stolpergefahr entsteht und eine Beschädigung des Kabels ausgeschlossen ist.



### **WARNUNG! Lebensgefahr durch Stromschlag!**

Wenn Sie mehr als einen Verbraucher an den Wechselrichter anschließen wollen und dazu einen Steckdosenverteilerkreis aufbauen, müssen Sie einen Schutzschalter (FI-Schalter) vorsehen und die Erdungsbrücke im Wechselrichter setzen, siehe Kapitel „Mehrere Verbraucher anschließen“ auf Seite 33.

## **Wechselrichter erden**

- Masseanschluss des Wechselrichters (Abb. **2** 4, Seite 3) mit der Masse des Fahrzeugs verbinden.

## **Wechselrichter an die Batterie anschließen**



### **HINWEIS**

Beachten Sie, dass beim Abklemmen der Batterie alle flüchtigen Speicher der angeschlossenen Verbraucher ihre gespeicherten Daten verlieren.



### **ACHTUNG!**

Achten Sie auf eine korrekte Polung. Wenn der Plus- und Minusanschluss vertauscht werden, kann das Gerät beschädigt werden.

- Anschlussklemme des roten Batterieanschlusskabels mit der Plusklemme (Abb. **2** 7, Seite 3) am Wechselrichter verbinden.
- Anschlussklemme des schwarzen Batterieanschlusskabels mit der Minusklemme (Abb. **2** 6, Seite 3) am Wechselrichter verbinden.
- Verbindungen auf sicheren Kontakt prüfen.  
Eventuell müssen Sie die Verschraubungen später noch einmal nachziehen.



### **HINWEIS**

Durch die Aufladung der internen Kondensatoren kann es beim Anschließen zur Funkenbildung kommen.

- Rotes Batterieanschlusskabel mit dem Pluspol der Batterie verbinden.
- Schwarzes Batterieanschlusskabel mit dem Minuspol der Batterie verbinden.



## Wechselrichter an den 230-V-Netzanschluss anschließen

- 230-V-Anschlusskabel in den Anschluss für die 230-V-Spannungsversorgung des Wechselrichters (Abb. **1** 2, Seite 3) stecken.
- 230-V-Anschlusskabel mit einer im Fahrzeug installierten 230-V-Steckdose verbinden.

## Fernbedienung an den Wechselrichter anschließen

- Wechselrichter ggf. ausschalten.
- Kabelende der Fernbedienung in den Anschluss stecken (Abb. **2** 2, Seite 3).
- Hauptschalter (Abb. **2** 1, Seite 3) auf „Remote“ stellen.

## Externen Schaltkontakt an den Wechselrichter anschließen

- Wechselrichter ggf. ausschalten.
- Externen Schaltkontakt (Spannungsversorgung aus dem Wechselrichter) entsprechend Schaltbild (Abb. **3**, Seite 3) am Remote-Port (Abb. **2** 3, Seite 3) anschließen.
- Hauptschalter (Abb. **2** 1, Seite 3) auf „Remote“ stellen.



### HINWEIS

Wenn Sie einen externen Schaltkontakt mit eigener Spannungsversorgung, z. B. von der Zündung, verwenden möchten, müssen Sie ein geeignetes Relais zwischenschalten.

## 8.3 Mehrere Verbraucher anschließen



### WARNUNG! Lebensgefahr durch Stromschlag!

Wenn Sie mehr als einen Verbraucher an den Wechselrichter anschließen wollen und dazu einen Steckdosenverteilerkreis aufbauen, müssen Sie einen Schutzschalter (FI-Schalter) vorsehen und die Erdungsbrücke im Wechselrichter setzen. Die Erdungsbrücke darf nur von einer Fachkraft angeschlossen werden, die mit den entsprechenden VDE-Richtlinien vertraut ist.

Das Gerät ist im Lieferzustand mit galvanischer Trennung ausgestattet. Zum sicheren Betrieb von mehreren Verbrauchern ist es zwingend notwendig, dass im Steckdosenverteilerkreis ein Schutzschalter (FI-Schalter) eingebaut wird, siehe Beispiel-Schaltplan in Abb. **6**, Seite 5.

Legende zum Beispiel-Schaltplan:

Pos. in Abb. <b>6</b> , Seite 5	Erklärung
1	230-V~ -Spannungsquelle
2	weitere Geräte wie z. B. Batterielader, Kühlschrank
3	DC-Spannungsquelle (Batterie)
4	Wechselrichter
5	Erdungsbrücke gesetzt (Lieferzustand: nicht gesetzt, gestrichelt dargestellt)
6	Schutzschalter (FI-Schalter)
7	Steckdosenverteilerkreis für Verbraucher

- Bauen Sie einen FI-Schalter in den Steckdosenverteilerkreis ein.

### Erdungsbrücke setzen (Abb. **4**, Seite 4)



#### **WARNUNG! Lebensgefahr durch Stromschlag!**

Die Erdungsbrücke darf nur von einer Fachkraft angeschlossen werden, die mit den entsprechenden VDE-Richtlinien vertraut ist.



#### **HINWEIS**

Im Auslieferungszustand ist der Stecker für die Erdungsbrücke immer auf den Steckplatz „FG“ gesteckt (isolierte Wechselspannung).

- Schrauben Sie die oberen vier Befestigungsschrauben (**2**) an den Stirnseiten des Gerätes mit einem Innensechskant-Schlüssel heraus.
- Nehmen Sie den Deckel (**1**) ab.



#### **ACHTUNG!**

Die Erdungsbrücke wird mit den Steckplätzen „FG“ und „N + FG“ geändert. Verändern Sie die anderen Steckplätze nicht, sonst kann das Gerät beschädigt werden.

- Ziehen Sie den Stecker (**3**) vom Steckplatz „FG“ (**4**) ab.
- Stecken Sie den Stecker (**3**) auf den Steckplatz „N + FG“ (**5**).
- Setzen Sie den Deckel des Gerätes (**1**) wieder auf und befestigen Sie ihn mit den Schrauben (**2**).

## 9 Wechselrichter benutzen



### ACHTUNG!

**Wenn kein Schutzschalter vorhanden ist:** Wenn der Wechselrichter an die externe Netzspannung angeschlossen ist, ist die 230-V-Ausgangs-Steckdose geerdet. Wenn keine externe Netzspannung anliegt, ist der Wechselrichter nur mit der Batterie (Gleichstrom) verbunden. In diesem Fall ist die 230-V-Ausgangs-Steckdose nicht geerdet, sondern über die Schutzisolierung gesichert.



### ACHTUNG! Kurzschlussgefahr!

Schalten Sie zuerst den Wechselrichter ein und danach erst die Verbraucher.

Beachten Sie folgende Hinweise bei der Nutzung des Wechselrichters:

- Sinkt die Batteriespannung während des Betriebes unter den Alarm-Wert (siehe „Unterspannungsalarm“ im Kapitel „Technische Daten“ auf Seite 39), ertönt ein Warnton und die LED „UVP“ (Abb. **1** 7, Seite 3) leuchtet.
  - Sinkt die Batteriespannung unter den Abschalt-Wert (siehe „Unterspannungsabschaltung“ im Kapitel „Technische Daten“ auf Seite 39), schaltet sich der Wechselrichter aus.
  - Bei zu hoher Erwärmung schaltet sich der Wechselrichter aus, und die LED „OLP“ (Abb. **1** 6, Seite 3) leuchtet.  
Nach dem Abkühlen schaltet sich der Wechselrichter automatisch wieder ein.
  - Beim Betreiben des Wechselrichters über längere Zeit und mit größter Belastung empfiehlt es sich, den Motor zu starten, um die Batterie des Fahrzeuges wieder aufzuladen.
- Schließen Sie Ihren Verbraucher am 230-V-Ausgang (Abb. **1** 4, Seite 3) an. Sie können auch ein Steckdosen-Verteilersystem anschließen.

### 9.1 Wechselrichter ohne Fernbedienung benutzen

- Stellen Sie den Hauptschalter (Abb. **2** 1, Seite 3) auf
  - „ON“, um den Wechselrichter **ein**zuschalten
  - „OFF“, um den Wechselrichter **aus**zuschalten
- ✓ Die LED „POWER“ leuchtet, wenn der Wechselrichter eingeschaltet ist.

## 9.2 Wechselrichter mit einer Fernbedienung benutzen



### HINWEIS

Beachten Sie auch die im Lieferumfang der Fernbedienung enthaltene Bedienungsanleitung.

- Stellen Sie den Hauptschalter (Abb. **2** 1, Seite 3) auf „Remote“.
- Schalten Sie den Wechselrichter ein oder aus über
  - die Tasten auf der Fernbedienung **oder**
  - den externen Schaltkontakt
- ✓ Die LED „POWER“ leuchtet, wenn der Wechselrichter eingeschaltet ist.

## 10 Wechselrichter pflegen und reinigen



### ACHTUNG!

Keine scharfen oder harten Gegenstände oder Reinigungsmittel zur Reinigung verwenden, da dies zu einer Beschädigung des Produktes führen kann.

- Reinigen Sie das Produkt gelegentlich mit einem feuchten Tuch.

# 11 Fehlerbeseitigung

Fehler	Ursache	Behebung
Keine Ausgangsspannung	Kein Kontakt zur Batterie	Kontakt und Kabel prüfen. Ggf. Zündung einschalten.
	Thermische Überlastung	Verbraucher abschalten. Wechselrichter abkühlen lassen und für bessere Belüftung sorgen. Verringern Sie ggf. die Dauerbelastung.
	Eingangsspannung zu hoch.	Eingangsspannung am Wechselrichter prüfen und mit den technischen Daten des Wechselrichters vergleichen.
	Sicherung defekt (Im Wechselrichter oder fahrzeugseitig)	Austausch der Sicherung durch eine Sicherung derselben Spezifikation.
	Gerät defekt	Gerät austauschen.
Gerät schaltet zyklisch Ein/Aus	Dauerbelastung zu hoch	Belastung reduzieren.
Beim Einschalten der Verbraucher schaltet der Wechselrichter aus	Einschaltstrom zu hoch	Leistung der Verbraucher mit der maximalen Leistung des Wechselrichters vergleichen.
Zu geringe Ausgangsspannung	Batteriespannung kleiner als Abschalt-Wert (siehe „Unterspannungsabschaltung“ im Kapitel „Technische Daten“ auf Seite 39)	Batterie laden (Motor starten).



## HINWEIS

Die Ausgangsspannung kann nur mit einem True-RMS-Messgerät korrekt gemessen werden.

## 12 Gewährleistung

Es gilt die gesetzliche Gewährleistungsfrist. Sollte das Produkt defekt sein, wenden Sie sich bitte an die Niederlassung des Herstellers in Ihrem Land (Adressen siehe Rückseite der Anleitung) oder an Ihren Fachhändler.

Zur Reparatur- bzw. Gewährleistungsbearbeitung müssen Sie folgende Unterlagen mitschicken:

- eine Kopie der Rechnung mit Kaufdatum,
- einen Reklamationsgrund oder eine Fehlerbeschreibung.

## 13 Entsorgung

- Geben Sie das Verpackungsmaterial möglichst in den entsprechenden Recycling-Müll.



Wenn Sie das Produkt endgültig außer Betrieb nehmen, informieren Sie sich bitte beim nächsten Recyclingcenter oder bei Ihrem Fachhändler über die zutreffenden Entsorgungsvorschriften.

## 14 Technische Daten



### HINWEIS

Bei Umgebungstemperaturen, die höher als 40 °C sind (z. B. in Motor- oder Heizungsräumen, direkte Sonneneinstrahlung), reduziert sich die in den Technischen Daten genannte Dauerleistung.

Folgende technische Daten gelten für alle Wechselrichter:

	<b>PP1002 PP2002</b>	<b>PP1004 PP2004</b>
Ausgangsspannung:	230 V $\sqrt{3}$	
Ausgangsfrequenz:	50 Hz $\pm$ 2 Hz	
Leerlaufstromaufnahme:	< 1,5 A	< 1,5 A
Wirkungsgrad bei Dauerlast:	> 85 %	
Eingangsspannungsbereich:	11 – 15 V $\equiv$	22 – 30 V $\equiv$
Netz-Eingangsspannung:	230 V $\sim$	
Unterspannungsalarm:	11 V	22 V
Unterspannungsabschaltung:	10,5 V	21 V
Unterspannungswiedereinschaltung:	12,2 V	24,4 V
Überspannungsabschaltung:	15,5 V	30,5 V
Überlastabschaltung:	130 %	
Übertemperaturabschaltung:	80 °C	
Sicherung Vorrangsschaltung:	10 A	
Umgebungstemperatur		
– Lagerung:	–30 °C – +70 °C	
– Betrieb:	0 °C – +40 °C	
Luftfeuchtigkeit		
– Lagerung:	20 % – 90 %	
– Betrieb:	10 % – 95 %	
Prüfung/Zertifikat:		

	<b>PP1002</b>	<b>PP1004</b>
Dauer-Ausgangsleistung:	1000 W	
Spitzen-Ausgangsleistung:	2000 W	
DC-Sicherung:	30 A x 4	15 A x 4
Abmessungen B x L x H:	176 x 338 x 95 mm	
Gewicht:	3,5 kg	

	<b>PP2002</b>	<b>PP2004</b>
Dauer-Ausgangsleistung:	2000 W	
Spitzen-Ausgangsleistung:	4000 W	
DC-Sicherung:	30 A x 8	15 A x 8
Abmessungen B x L x H:	176 x 443 x 95 mm	
Gewicht:	5 kg	



**Veillez lire attentivement cette notice avant le montage et la mise en service. Veillez ensuite la conserver. En cas de passer le produit, veuillez le transmettre au nouvel acquéreur.**

## **Table des matières**

1	Explication des symboles . . . . .	42
2	Consignes de sécurité générales . . . . .	42
3	Contenu de la livraison . . . . .	44
4	Accessoires . . . . .	44
5	Groupe cible de cette notice . . . . .	44
6	Usage conforme . . . . .	45
7	Description technique . . . . .	45
8	Fixation et raccordement de l'onduleur . . . . .	48
9	Utilisation de l'onduleur . . . . .	53
10	Entretien et nettoyage de l'onduleur . . . . .	54
11	Réparation des pannes . . . . .	55
12	Garantie . . . . .	56
13	Recyclage . . . . .	56
14	Caractéristiques techniques . . . . .	57

# 1 Explication des symboles



## AVERTISSEMENT !

**Consigne de sécurité :** le non-respect de ces consignes peut entraîner la mort ou de graves blessures.



## AVIS !

Le non-respect de ces consignes peut entraîner des dommages matériels et des dysfonctionnements du produit.



## REMARQUE

Informations complémentaires sur l'utilisation du produit.

# 2 Consignes de sécurité générales

Le fabricant décline toute responsabilité pour des dommages dans les cas suivants :

- des défauts de montage ou de raccordement
- des influences mécaniques et des surtensions ayant endommagé le matériel
- des modifications apportées au produit sans autorisation explicite de la part du fabricant
- une utilisation différente de celle décrite dans la notice

## 2.1 Sécurité générale



### AVERTISSEMENT !

- Utilisez l'appareil conformément à l'usage pour lequel il a été conçu.
- Seul du personnel qualifié et parfaitement informé des dangers et règlements spécifiques à ces manipulations est habilité à effectuer les réparations et l'entretien.
- Ne laissez pas des personnes (enfants compris) incapables d'utiliser le produit de manière sûre, en raison de déficiences physiques, sensorielles ou mentales ou de leur manque d'expérience ou de connaissances, utiliser ce produit sans surveillance.
- **Les appareils électriques ne sont pas des jouets pour enfants !** Placez et utilisez l'appareil hors de la portée des enfants.

## 2.2 Sécurité lors de l'installation de l'appareil



### AVERTISSEMENT !

- Seuls des artisans spécialisés, formés dans ce domaine et connaissant les directives et les consignes de sécurité à appliquer sont habilités à procéder à l'installation de l'appareil.
- Une mauvaise installation des appareils électriques sur des bateaux peut entraîner des dommages dus à la corrosion au niveau du bateau. L'installation de l'appareil doit être effectuée par un électricien spécialisé.

## 2.3 Consignes de sécurité concernant le fonctionnement de l'appareil



### AVERTISSEMENT !

Lors de l'utilisation d'appareils électriques, les consignes générales de sécurité suivantes doivent être respectées afin d'éviter

- une électrocution
  - un incendie
  - des blessures.
- 
- Faites fonctionner l'appareil seulement si le boîtier et les conduites sont intacts.
  - Assurez-vous que les entrées et sorties d'air de l'appareil ne sont pas couvertes.
  - Veillez à ce que l'aération soit suffisante. L'onduleur produit de la chaleur qui doit pouvoir se dissiper librement.
  - Coupez l'alimentation électrique avant tous travaux sur l'appareil.

### 3 Contenu de la livraison

Quantité	Désignation
1	Onduleur
1	Câble de connexion 230 V
4	Supports de montage
1	Élément de montage
2	Cosses de câble
1	Manuel d'utilisation

### 4 Accessoires

Disponibles en accessoires (non compris dans la livraison) :

Désignation	N° d'article
Télécommande MCR9	9600000091

En cas de questions concernant les accessoires, veuillez vous adresser à votre partenaire de service après-vente.

### 5 Groupe cible de cette notice

Le chapitre « Raccordement de l'onduleur », page 49, s'adresse exclusivement aux spécialistes familiers des directives VDE correspondantes.

Tous les autres chapitres s'adressent également aux utilisateurs de l'appareil.

## 6 Usage conforme



### AVERTISSEMENT !

L'onduleur ne doit pas être utilisé pour les véhicules dont le pôle positif de la batterie est relié au châssis.

Les onduleurs PP1002, PP1004, PP2002 et PP2004 servent d'alimentation en tension pour les consommateurs 230 V pour une alimentation électrique de 12 V ou 24 V :

- **12 V** : PP1002 et PP2002
- **24 V** : PP1004 et PP2004

Les onduleurs sont prévus pour l'utilisation dans des camping-cars, véhicules utilitaires et yachts à moteur et à voile.

## 7 Description technique

Les onduleurs PP1000 et PP2000 se composent de deux unités de fonctionnement :

- Commutation de l'onduleur : génération d'une tension alternative de 230 V à partir d'une alimentation de batterie
  - **12 V** : PP1002 et PP2002
  - **24 V** : PP1004 et PP2004
- Raccordement prioritaire au secteur : commute automatiquement entre une alimentation secteur 230 V (provenant du camping p. ex.) et une tension de 230 V générée à partir d'une batterie.

La tension du secteur est prioritaire : la prise de sortie est débranchée du circuit de tension externe et branchée au circuit de tension de l'onduleur uniquement lorsqu'il n'y a plus de tension externe. Ceci garantit qu'il y a toujours une tension 230 V au niveau de la prise de sortie.

Du fonctionnement avec inverseur au courant secteur :

Le passage du fonctionnement avec inverseur, pour lequel la tension alternative 230 Volt est générée par la tension de la batterie, au courant secteur se produit avec un décalage.

Lorsque vous branchez la fiche dans la prise (camping, port), l'inverseur s'éteint après un délai d'environ 4 s. 2 s plus tard, le courant secteur est activé. Ceci donne le temps aux appareils raccordés de s'éteindre correctement.

Du courant secteur au fonctionnement avec inverseur :

Le passage du courant secteur au fonctionnement avec inverseur est également soumis à un décalage.

Si le courant secteur est coupé, l'inverseur se met en marche au bout de 2 s.

**AVIS !**

Les appareils raccordés doivent être éteints lors de la commutation. Comme la tension est coupée pendant 2 s, il faudra éventuellement les rallumer.

L'onduleur est équipé d'une protection thermique et d'une protection électrique contre les surcharges ainsi que d'une protection de sous-tension et de surtension. L'onduleur s'éteint :

- lorsque la température interne de l'onduleur est trop élevée
- lorsque la charge dépasse les valeurs de puissance indiquées dans les caractéristiques techniques
- lorsque la tension d'entrée est trop faible ou trop élevée

Il est possible de brancher un consommateur unique ou un système de répartiteurs de prises sur l'onduleur pour obtenir un réseau de bord de 230 V avec plusieurs prises.

A la livraison, l'appareil est équipé d'une séparation galvanique. Afin d'exploiter plusieurs consommateurs en toute sécurité, il est absolument nécessaire qu'un commutateur de sécurité soit monté dans le circuit de répartiteurs de prises et que les cavaliers soit installés dans l'onduleur.

**REMARQUE**

Lors du raccordement d'appareils avec entraînement électrique (p. ex. perceuse, réfrigérateur, etc.), prenez en compte le fait qu'ils utilisent souvent une puissance supérieure à celle indiquée sur la plaque signalétique pendant le démarrage.

L'onduleur peut être mis en marche manuellement ou par télécommande.

Le refroidissement se fait par un ventilateur qui dépend de la charge.

## 7.1 Eléments de commande



### REMARQUE

La version présentée est celle pour l'Europe continentale.

### Vue de face (fig. 1, page 3)

N°	Description
1	<b>GRID</b> : cette DEL s'allume lorsque l'onduleur est alimenté par une tension secteur 230 V externe ; le raccordement prioritaire est activé.
2	Branchement de l'alimentation 230 V externe
3	Disjoncteur : fusible
4	Sortie 230 V~
5	<b>POWER</b> : cette DEL s'allume lorsque l'onduleur est en marche.
6	<b>OLP</b> : cette DEL s'allume lorsque les consommateurs raccordés consomment trop de courant.
7	<b>UVP</b> : cette DEL s'allume lorsque la puissance de la batterie est trop faible.
8	<b>OVP</b> : cette DEL s'allume lorsque la tension d'entrée est trop élevée.

### Vue de dos (fig. 2, page 3)

N°	Description
1	Commutateur principal
2	Raccordement télécommande MCR9
3	Raccordement pour contacteur externe
4	Connexion à la masse
5	Ventilateur
6	Borne négative
7	Borne positive

## 8 Fixation et raccordement de l'onduleur

### 8.1 Fixation de l'onduleur



#### AVERTISSEMENT !

- Veillez à un positionnement stable de l'appareil !  
Veillez à installer et fixer l'appareil de manière à ce que
  - il ne puisse ni se renverser ni tomber
  - il ne puisse pas bouger pendant la marche
- Conservez l'appareil hors de portée des enfants. Ces derniers pourraient s'exposer à des dangers dont ils ne sont pas conscients.

Vous pouvez fixer l'onduleur à l'aide des supports fournis dans la livraison.

Tenez compte des remarques suivantes lors du choix du lieu d'installation :

- N'utilisez **pas** l'appareil
  - en milieu humide
  - dans un environnement poussiéreux
  - à proximité de matériaux inflammables
  - dans des espaces où risquent de se produire des explosions
- N'exposez pas l'appareil à des sources de chaleur (exposition directe au soleil, chauffage, etc.). Vous éviterez ainsi une surchauffe supplémentaire de l'appareil.
- Tenez compte des longueurs des câbles et choisissez un lieu de montage à proximité de la batterie d'alimentation.
- Choisissez un lieu de montage bien aéré.  
En cas d'installation dans de petits locaux fermés, ceux-ci doivent disposer d'un système d'aération et de ventilation.
- Veillez à ce que l'entrée d'air située sur les faces avant de l'onduleur reste libre.
- Veillez à ce que la surface de montage soit plane et suffisamment stable.



Fixez l'onduleur comme suit (fig. **5**, page 4) :

**AVIS !**

Avant de commencer à percer, assurez-vous qu'aucun câble électrique ou autre élément du véhicule ne risque d'être endommagé par le perçage, le sciage ou le limage.

- ▶ Enclenchez deux supports sur les barres inférieures de gauche et de droite. Vous pouvez ensuite décaler les supports comme vous le souhaitez.
- ▶ Fixez l'onduleur en vissant une vis dans chacun des trous des supports.

## 8.2 Raccordement de l'onduleur

**AVERTISSEMENT !**

Seule une entreprise spécialisée possédant le savoir-faire nécessaire est habilitée à effectuer le raccordement de l'onduleur.

Les informations suivantes sont destinées à du personnel qualifié, informé des directives et des consignes de sécurité à appliquer.

Veillez respecter les consignes de sécurité suivantes pour le raccordement électrique :

**AVIS ! Risque de court-circuit !**

- Lors de travaux sur le véhicule, le point de mise à la masse pour la batterie d'alimentation doit toujours être déconnecté.
- Débranchez l'alimentation secteur 230 V du véhicule !
- Si des lignes électriques doivent traverser des cloisons en tôle ou autres murs à arêtes vives, utilisez des tubes vides ou des conduits pour câbles.
- Ne posez pas de lignes électriques sans fixation ou en les pliant sur des matériaux conducteurs (métal).
- Fixez bien les câbles.
- Ne tirez pas sur les câbles.
- Ne placez pas les câbles 230 V et la ligne de courant continu 12/24 V dans le même conduit (tube vide).
- Posez les câbles de manière à exclure tout risque de trébuchement ou d'endommagement du câble.

**AVERTISSEMENT ! Danger de mort par électrocution !**

Si vous souhaitez raccorder plus d'un consommateur à l'onduleur et que vous montez pour ce faire un circuit de répartiteurs de prises, vous devez prévoir un commutateur de sécurité et placer les cavaliers de mise à la terre dans l'onduleur, voir chapitre « Raccordement de plusieurs consommateurs », page 51.

**Mise à la terre de l'onduleur**

- Raccordez la connexion à la masse de l'onduleur (fig. **2** 4, page 3) à la masse du véhicule.

**Raccordement de l'onduleur à la batterie****REMARQUE**

Notez que lorsque vous déconnectez la batterie, les données enregistrées dans les mémoires volatiles des appareils qu'elle alimente s'effacent.

**AVIS !**

Respectez la polarité. Si vous inversez les bornes positive et négative, l'appareil peut être endommagé.

- Branchez la borne de raccordement du câble de raccordement rouge de la batterie à la borne positive (fig. **2** 7, page 3) de l'onduleur.
- Branchez la borne de raccordement du câble de raccordement noir de la batterie à la borne négative (fig. **2** 6, page 3) de l'onduleur.
- Vérifiez que les contacts des connexions sont bons.  
Vous devez éventuellement resserrer les raccords vissés ultérieurement.

**REMARQUE**

La charge des condensateurs internes peut entraîner la formation d'étincelles lors du branchement.

- Branchez le câble de raccordement rouge au pôle positif de la batterie.
- Branchez le câble de raccordement noir au pôle négatif de la batterie.

## Raccordement de l'onduleur à un réseau de 230 V

- Enfichez le câble de raccordement 230 V dans le raccordement pour l'alimentation en tension 230 V de l'onduleur (fig. **1** 2, page 3).
- Branchez le câble de raccordement 230 V à une prise 230 V installée dans le véhicule.

## Raccordement de la télécommande à l'onduleur

- Eteignez l'onduleur le cas échéant.
- Enfichez l'extrémité du câble de la télécommande dans le raccord correspondant (fig. **2** 2, page 3).
- Placez le commutateur principal (fig. **2** 1, page 3) sur la position « Remote ».

## Raccordement d'un contacteur externe à l'onduleur

- Eteignez l'onduleur le cas échéant.
- Raccordez le contacteur externe (alimentation électrique provenant de l'onduleur) au port à distance (fig. **2** 3, page 3) selon le schéma de raccordement (fig. **3**, page 3).
- Placez le commutateur principal (fig. **2** 1, page 3) sur la position « Remote ».



### REMARQUE

Vous devrez intercaler un relais approprié si vous souhaitez utiliser un contacteur externe avec une propre alimentation électrique à partir de l'allumage par exemple.

## 8.3 Raccordement de plusieurs consommateurs



### AVERTISSEMENT ! Danger de mort par électrocution !

Si vous souhaitez raccorder plus d'un consommateur à l'onduleur et que vous montez pour ce faire un circuit de répartiteurs de prises, vous devez prévoir un commutateur de sécurité et placer les cavaliers de mise à la terre dans l'onduleur. Seul un spécialiste connaissant les directives VDE correspondantes est habilité à raccorder les cavaliers de mise à la terre.

À la livraison, l'appareil est équipé d'une séparation galvanique. Afin d'exploiter plusieurs consommateurs en toute sécurité, il est absolument nécessaire qu'un commutateur de sécurité soit monté dans le circuit de répartiteurs de prises, voir exemple de schéma du circuit à la fig. **6**, page 5.

Légende de l'exemple de schéma du circuit :

Pos. dans fig. <b>6</b> , page 5	Signification
1	Source de tension 230 V~
2	Autres appareils comme p. ex. chargeur de batterie, réfrigérateur
3	Source de tension CC (batterie)
4	Onduleur
5	Cavaliers de mise à la terre en place (à la livraison : pas en place, représentés en pointillés)
6	Commutateur de sécurité
7	Circuit de répartiteurs de prises pour consommateurs

- Montez un commutateur de sécurité dans le circuit de répartiteurs de prises.

### Placement des cavaliers de mise à la terre (fig. **4**, page 4)



#### AVERTISSEMENT ! Danger de mort par électrocution !

Seul un spécialiste connaissant les directives VDE correspondantes est habilité à raccorder les cavaliers de mise à la terre.



#### REMARQUE

À la livraison, la prise pour les cavaliers de mise à la terre est toujours branchée dans l'emplacement « FG » (tension alternative isolée).

- Dévissez les quatre vis de fixation (**2**) sur les faces avant de l'appareil avec une clé à six pans creux.
- Retirez le couvercle (**1**).



#### AVIS !

Les cavaliers de mise à la terre sont changés avec les emplacements « FG » et « N + FG ». Ne changez pas les autres emplacements afin de ne pas risquer d'endommager l'appareil.

- Retirez la prise (**3**) de l'emplacement « FG » (**4**).
- Branchez la prise (**3**) dans l'emplacement « N + FG » (**5**).
- Remplacez le couvercle de l'appareil (**1**) et fixez-le avec les vis (**2**).

## 9 Utilisation de l'onduleur



### AVIS !

**Si aucun commutateur de sécurité n'est installé :** quand l'onduleur est raccordé à la tension de réseau externe, la prise de sortie pour 230 V est reliée à la terre.

Si la tension de réseau externe n'est pas disponible, l'onduleur n'est relié qu'à la batterie (courant continu). Dans ce cas, la prise de sortie pour 230 V n'est pas reliée à la terre mais protégée par la double isolation.



### AVIS ! Risque de court-circuit !

Mettez d'abord l'onduleur en marche et mettez ensuite les consommateurs en marche.

Tenez compte des remarques suivantes lors de l'utilisation de l'onduleur :

- Si la tension de la batterie devient inférieure à la valeur d'alarme pendant le fonctionnement (voir « Alarme de sous-tension » dans chapitre « Caractéristiques techniques », page 57), un signal sonore retentit et la DEL « UVP » (fig. **1** 7, page 3) s'allume.
  - Si la tension de la batterie devient inférieure à la valeur d'arrêt (voir « Arrêt en cas de sous-tension » dans chapitre « Caractéristiques techniques », page 57), l'onduleur s'éteint.
  - En cas de surchauffe, l'onduleur s'arrête et la DEL « OLP » (fig. **1** 6, page 3) s'allume.  
Après un refroidissement complet, l'onduleur se remet automatiquement en marche.
  - Lors de l'utilisation de l'onduleur pendant une longue période et avec une charge importante, il est conseillé de démarrer le moteur afin de recharger la batterie du véhicule.
- Raccordez vos consommateurs à la sortie 230 V (fig. **1** 4, page 3).  
Vous pouvez également brancher un système de répartiteurs de prises.

## 9.1 Utilisation de l'onduleur sans télécommande

- ▶ Placez le commutateur principal (fig. **2** 1, page 3) sur la position
  - « ON » pour mettre l'onduleur en **marche**
  - « OFF » pour mettre l'onduleur à l'**arrêt**
- ✓ La DEL « POWER » s'allume lorsque l'onduleur est en marche.

## 9.2 Utilisation de l'onduleur avec une télécommande



### REMARQUE

Consultez également la notice d'utilisation de la télécommande (comprise dans la livraison).

- ▶ Placez le commutateur principal (fig. **2** 1, page 3) sur la position « Remote ».
- ▶ Pour mettre l'onduleur en marche ou à l'arrêt utilisez
  - les touches de la télécommande **ou**
  - le contacteur externe.
- ✓ La DEL « POWER » s'allume lorsque l'onduleur est en marche.

# 10 Entretien et nettoyage de l'onduleur



### AVIS !

N'utilisez aucun objet coupant ou dur, ni de détergents pour le nettoyage. Cela pourrait endommager le produit.

- ▶ Nettoyez le produit avec un tissu humide.

# 11 Réparation des pannes

Défaut	Cause	Solution
Pas de tension de sortie	Pas de contact avec la batterie	Contrôler le contact et le câble. Mettre l'allumage en marche le cas échéant.
	Surcharge thermique	Arrêter le consommateur. Laisser l'onduleur refroidir et améliorer l'aération. Réduire si nécessaire la charge continue.
	La tension d'entrée est trop élevée.	Contrôler la tension à l'entrée de l'onduleur et la comparer avec les caractéristiques techniques de l'onduleur.
	Défaillance fusible (dans l'onduleur ou le véhicule)	Remplacer le fusible par un fusible de la même spécification.
	Appareil défectueux	Remplacer l'appareil.
L'appareil s'allume et s'éteint cycliquement.	La charge continue est trop élevée.	Réduire la charge.
Lorsque les consommateurs sont mis en marche, l'onduleur s'éteint.	Le courant d'allumage est trop élevé.	Comparer la puissance des consommateurs et la puissance maximale de l'onduleur.
Tension de sortie trop basse	La tension de la batterie est inférieure à la valeur d'arrêt (voir « Arrêt en cas de sous-tension » dans chapitre « Caractéristiques techniques », page 57).	Charger la batterie (démarrer le moteur).



## REMARQUE

La tension de sortie ne peut être correctement mesurée qu'avec un dispositif de mesure True-RMS.

## 12 Garantie

Le délai légal de garantie s'applique. Si le produit s'avérait défectueux, veuillez vous adresser à la filiale du fabricant située dans votre pays (voir adresses au verso du présent manuel) ou à votre revendeur spécialisé.

Veillez y joindre les documents suivants pour la gestion des réparations et de la garantie :

- une copie de la facture avec la date d'achat,
- le motif de la réclamation ou une description du dysfonctionnement.

## 13 Recyclage

- Jetez les emballages dans les conteneurs de déchets recyclables prévus à cet effet.



Lorsque vous mettez votre produit définitivement hors service, informez-vous auprès du centre de recyclage le plus proche ou auprès de votre revendeur spécialisé sur les prescriptions relatives au retraitement des déchets.





## 14 Caractéristiques techniques



### REMARQUE

Si la température ambiante est supérieure à 40 °C (p. ex. dans les compartiments moteur ou chauffage, en cas d'exposition directe au soleil), la puissance continue indiquée dans les caractéristiques techniques baisse.

Les caractéristiques techniques suivantes sont valables pour tous les onduleurs :

	<b>PP1002 PP2002</b>	<b>PP1004 PP2004</b>
Tension de sortie :	230 V $\sqrt{3}$	
Fréquence de sortie :	50 Hz $\pm$ 2 Hz	
Intensité absorbée à vide :	< 1,5 A	< 1,5 A
Rendement en charge continue :	> 85 %	
Plage de tension d'entrée :	11 – 15 V $\equiv$	22 – 30 V $\equiv$
Tension d'entrée secteur :	230 V $\sim$	
Alarme de sous-tension :	11 V	22 V
Arrêt en cas de sous-tension :	10,5 V	21 V
Remise en marche après sous-tension :	12,2 V	24,4 V
Arrêt en cas de surtension :	15,5 V	30,5 V
Arrêt en cas de surcharge :	130 %	
Arrêt en cas de surchauffe :	80 °C	
Priorité aux fusibles :	10 A	
Température ambiante – Stockage :	–30 °C – +70 °C	
– Fonctionnement :	0 °C – +40 °C	
Humidité de l'air – Stockage :	20 % – 90 %	
– Fonctionnement :	10 % – 95 %	
Contrôle / certificat:	 	

	<b>PP1002</b>	<b>PP1004</b>
Puissance de sortie continue :	1000 W	
Puissance de sortie en crête :	2000 W	
Fusible CC :	30 A x 4	15 A x 4
Dimensions L x l x h :	176 x 338 x 95 mm	
Poids :	3,5 kg	

	<b>PP2002</b>	<b>PP2004</b>
Puissance de sortie continue :	2000 W	
Puissance de sortie en crête :	4000 W	
Fusible CC :	30 A x 8	15 A x 8
Dimensions L x l x h :	176 x 443 x 95 mm	
Poids :	5 kg	

**Lea detenidamente estas instrucciones antes de llevar a cabo la instalación y puesta en funcionamiento, y consérvelas en un lugar seguro. En caso de vender o entregar el producto a otra persona, entregue también estas instrucciones.**

## Índice

1	Aclaración de los símbolos . . . . .	60
2	Indicaciones generales de seguridad . . . . .	60
3	Volumen de entrega . . . . .	62
4	Accesorios . . . . .	62
5	Destinatarios de estas instrucciones . . . . .	62
6	Uso adecuado . . . . .	63
7	Descripción técnica . . . . .	63
8	Fijar y conectar el inversor . . . . .	66
9	Usar el inversor . . . . .	71
10	Mantenimiento y limpieza del inversor . . . . .	72
11	Solución de fallos . . . . .	73
12	Garantía legal . . . . .	74
13	Gestión de residuos . . . . .	74
14	Datos técnicos . . . . .	75

# 1 Aclaración de los símbolos

**¡ADVERTENCIA!**

**Indicación de seguridad:** su incumplimiento puede acarrear la muerte o graves lesiones.

**¡AVISO!**

Su incumplimiento puede acarrear daños materiales y perjudicar el correcto funcionamiento del producto.

**NOTA**

Información adicional para el manejo del producto.

## 2 Indicaciones generales de seguridad

El fabricante declina toda responsabilidad ante daños ocurridos en los siguientes casos:

- errores de montaje o de conexión
- daños en el producto debido a influencias mecánicas y sobretensiones
- modificaciones realizadas en el producto sin el expreso consentimiento del fabricante
- utilización del aparato para fines distintos a los descritos en las instrucciones

### 2.1 Seguridad general

**¡ADVERTENCIA!**

- Utilice el aparato sólo para aquellos fines para los que ha sido concebido.
- Sólo personal técnico especializado que conozca los posibles peligros y las normativas pertinentes puede realizar trabajos de mantenimiento y reparación.

- Las personas (incluidos los niños) que, debido a sus capacidades físicas, sensoriales o mentales, a su falta de experiencia o a desconocimiento, no pueden utilizar el producto de forma segura, no tienen permitido utilizar este producto sin la vigilancia y las instrucciones de una persona sobre la que recae tal responsabilidad.
- **¡Los aparatos eléctricos no son juguetes!**  
Guarde y utilice el aparato fuera del alcance de los niños.

## 2.2 Seguridad en la instalación del aparato



### ¡ADVERTENCIA!

- La instalación del aparato sólo la puede realizar personal técnico debidamente cualificado y familiarizado con las directivas y normativas de seguridad que se han de aplicar.
- Una instalación incorrecta de aparatos eléctricos en embarcaciones puede producir daños de corrosión en la embarcación. La instalación del aparato debe ser realizada por un electricista especializado (en embarcaciones).

## 2.3 Seguridad durante el funcionamiento del aparato



### ¡ADVERTENCIA!

Tenga en cuenta las siguientes medidas básicas de seguridad en el manejo de aparatos eléctricos para la protección ante:

- descargas eléctricas
  - peligro de incendio
  - lesiones
- 
- Utilice el aparato sólo si la carcasa y los cables no presentan daños.
  - Asegúrese de que las entradas y salidas de aire del aparato no queden tapadas.
  - Procure mantener una buena ventilación. El inversor disipa calor al que se debe dar salida.
  - Siempre que realice trabajos en el aparato, desconecte la alimentación de corriente.

### 3 Volumen de entrega

Cantidad	Denominación
1	Inversor
1	Cable de conexión de 230 V
4	Soportes de montaje
1	Escuadra de montaje
2	Terminales de cable
1	Instrucciones de uso

### 4 Accesorios

Disponibles como accesorio (no incluidos en el volumen de entrega):

Denominación	Nº de artículo
Control remoto MCR9	9600000091

Para cualquier pregunta respecto a los accesorios diríjase a su socio de servicio.

### 5 Destinatarios de estas instrucciones

El capítulo "Conectar el inversor" en la página 67 va dirigido únicamente a personal técnico familiarizado con las directivas VDE correspondientes.

Todos los demás capítulos van también dirigidos al usuario del aparato.

## 6 Uso adecuado



### ¡ADVERTENCIA!

El inversor no se puede usar en vehículos cuyo polo positivo de la batería esté conectado al chasis.

Los inversores PP1002, PP1004, PP2002 y PP2004 proporcionan alimentación eléctrica a aparatos de 230 V partiendo de una tensión de alimentación de 12 ó 24 V:

- **12 V:** PP1002 y PP2002
- **24 V:** PP1004 y PP2004

Estos inversores son adecuados para su uso en caravanas, vehículos industriales y yates a motor o a vela.

## 7 Descripción técnica

Los inversores PP1000 y PP2000 constan de dos unidades funcionales:

- Función del inversor: generación de una tensión alterna de 230 V a partir de una tensión en la batería de
  - **12 V:** PP1002 y PP2002
  - **24 V:** PP1004 y PP2004
- Conexión de prioridad a la red: cambia automáticamente entre tensión de red externa de 230 V (por ejemplo, en el camping) y tensión de 230 V generada por una batería.

Tiene prioridad la tensión de red externa: sólo cuando deja de haber tensión externa, la caja de enchufe de salida se desconecta del circuito externo de tensión y se conecta al circuito de tensión del inversor. De este modo se garantiza que haya siempre una tensión de 230 V en la caja de enchufe de salida.

Paso del modo inversor al modo fuente de alimentación fija:

El cambio del modo inversor, en el cual se genera una tensión alterna de 230 V a partir de la tensión de la batería, al funcionamiento con fuente de alimentación fija se produce con un retardo.

Al conectarse la clavija del enchufe a la toma externa (camping, puerto), el inversor se apaga tras un tiempo de retardo de aprox. 4 s. La corriente de la fuente fija se transmite una vez transcurridos otros 2 s. De este modo, los aparatos conectados disponen de tiempo para una desconexión adecuada.

De fuente de alimentación fija a modo inversor:

El cambio de la fuente de alimentación fija al modo inversor también está sujeto a un retardo.

El inversor se enciende 2 segundos después de desaparecer la corriente procedente de la fuente de alimentación fija.

**¡AVISO!**

Los aparatos conectados deben estar apagados cuando se realice el cambio. Al no recibir tensión durante 2 s, puede ser necesario encenderlos de nuevo.

El inversor está equipado con una protección térmica y otra eléctrica contra sobrecargas, así como con una protección contra subtensión y sobretensión. El inversor se desconecta cuando:

- la temperatura interna del inversor es demasiado alta;
- la carga supera los valores de potencia expuestos en los Datos Técnicos;
- la tensión de entrada es demasiado baja o demasiado alta.

A los inversores puede conectarse un solo aparato o un sistema de distribución a las cajas de enchufe, formando un sistema de alimentación de tensión del vehículo de 230 V con varias cajas de enchufe.

El aparato se suministra equipado con separación galvánica. Para el funcionamiento seguro de los aparatos conectados es absolutamente necesario que se instale un interruptor de protección (interruptor FI) en el circuito de distribución a las cajas de enchufe, y que se coloque el puente de puesta a tierra en el inversor.

**NOTA**

Si conecta aparatos con un motor eléctrico (por ejemplo, una taladradora, una nevera, etc.), tenga en cuenta que éstos, a menudo, requieren más potencia para arrancar que la indicada en la placa de características.

El inversor puede conectarse manualmente o por control remoto.

La refrigeración tiene lugar a través de un ventilador regulado en función de la carga.



## 7.1 Elementos de mando



### NOTA

En la imagen se representa la versión para Europa continental.

### Vista frontal (fig. 1, página 3)

N.º	Descripción
1	<b>Grid:</b> este LED luce cuando el inversor recibe una tensión de red externa de 230 V; la conexión de prioridad está activa.
2	Toma de alimentación de tensión externa de 230 V
3	Circuit Breaker: fusible
4	Salida de 230 V~
5	<b>POWER:</b> este LED luce cuando el inversor está conectado.
6	<b>OLP:</b> este LED luce cuando los aparatos conectados consumen una corriente excesiva.
7	<b>UVP:</b> este LED luce cuando la capacidad de la batería es insuficiente.
8	<b>OVP:</b> este LED luce cuando la tensión de entrada es excesiva.

### Vista trasera (fig. 2, página 3)

N.º	Descripción
1	Interruptor principal
2	Conexión control remoto MCR9
3	Conexión para contacto de mando externo
4	Conexión a masa
5	Ventilador
6	Borne negativo
7	Borne positivo

## 8 Fijar y conectar el inversor

### 8.1 Fijar el inversor



#### ¡ADVERTENCIA!

- ¡Preste atención a que quede garantizada la estabilidad! Coloque el aparato de forma segura y fíjelo de manera que
  - no pueda volcarse ni caerse
  - no pueda moverse durante el trayecto
- Asegure el aparato de tal modo que los niños no tengan acceso al mismo. De no hacerlo, los niños podrían estar expuestos a peligros de los que no son conscientes.

Puede fijar el inversor con los soportes adjuntos.

Tenga en cuenta las siguientes indicaciones al elegir el lugar de montaje:

- **No** utilice este aparato en:
  - entornos húmedos ni mojados
  - entornos polvorientos
  - entornos con materiales inflamables
  - recintos con peligro de explosión
- No exponga el aparato a fuentes de calor (radiación directa del sol, calefacción, etc.). De este modo, evitará un calentamiento adicional del aparato.
- Respete las longitudes de cable y seleccione un lugar de montaje cerca de la batería de alimentación.
- Elija un lugar de montaje bien ventilado.  
En caso de instalación en recintos cerrados pequeños, debe haber ventilación suficiente.
- Asegúrese de que la entrada de aire de los laterales del inversor quede libre.
- Elija una superficie de montaje llana y lo suficientemente resistente.

Fije el inversor como se indica a continuación (fig. 5, página 4):

**¡AVISO!**

Antes de realizar cualquier perforación, asegúrese de que ningún cable eléctrico ni ninguna pieza del vehículo puedan resultar dañados al taladrar, serrar o limar.

- ▶ Enganche dos soportes en la trabilla inferior izquierda y dos en la derecha. A continuación puede desplazar los soportes a voluntad.
- ▶ Fije el inversor apretando un tornillo en los orificios de cada soporte.

## 8.2 Conectar el inversor

**¡ADVERTENCIA!**

La conexión del inversor sólo la puede llevar a cabo personal técnico debidamente cualificado.

La siguiente información va dirigida a personal técnico familiarizado con las directivas y normativas de seguridad que se han de aplicar.

Tenga en cuenta las siguientes indicaciones de seguridad durante la conexión eléctrica:

**¡AVISO! Peligro de cortocircuito!**

- Cuando trabaje en el vehículo, suelte siempre la conexión a masa de la batería de alimentación.
- Desconecte la alimentación externa de 230 V de la autocaravana.
- Si los cables deben pasar a través de paredes de chapa o de otro tipo de paredes con aristas afiladas, utilice tubos corrugados o guías de cable.
- Los cables no deben colocarse sueltos ni muy doblados en contacto con materiales conductores de electricidad (metales).
- Fije bien los cables.
- No tire de los cables.
- No tienda el cable de red de 230 V y el cable de corriente continua de 12/24 V en el mismo canal de cableado (tubo corrugado).
- Tienda los cables de forma que no generen ningún peligro de tropezamiento y que se excluyan daños en el cable.

**¡ADVERTENCIA! ¡Peligro de muerte por descarga eléctrica!**

Si desea conectar al inversor más de un aparato e instala para ello un circuito de distribución para las cajas de enchufe, deberá instalar un interruptor de protección (interruptor FI) y colocar un puente de puesta a tierra en el inversor (véase capítulo "Conectar varios aparatos" en la página 69).

**Puesta a tierra del inversor**

- Conecte la masa del inversor (fig. **2** 4, página 3) a la masa del vehículo.

**Conectar el inversor a la batería****NOTA**

Tenga en cuenta que al desembornar la batería, todas las memorias volátiles de los consumidores conectados perderán los datos memorizados.

**¡AVISO!**

Preste atención a la polaridad correcta. Si se intercambia la conexión de los bornes positivo y negativo, el aparato puede resultar dañado.

- Conecte el terminal del cable rojo de conexión de la batería al borne positivo (fig. **2** 7, página 3) del inversor.
- Conecte el terminal del cable negro de conexión de la batería al borne negativo (fig. **2** 6, página 3) del inversor.
- Compruebe si las conexiones tienen un contacto seguro.  
Es posible que posteriormente tenga que volver a apretar las uniones roscadas.

**NOTA**

Durante la conexión pueden saltar chispas al cargarse los condensadores internos.

- Conecte el cable rojo de conexión de la batería al polo positivo de la misma.
- Conecte el cable negro de conexión de la batería al polo negativo de la misma.

## Conectar el inversor a la toma de red de 230 V

- Enchufe el cable de conexión de 230 V a la toma de alimentación de 230 V del inversor (fig. **1** 2, página 3).
- Conecte el cable de conexión de 230 V a una caja de enchufe de 230 V instalada en el vehículo.

## Conectar el control remoto al inversor

- En caso necesario, apague el inversor.
- Enchufe los extremos del cable del control remoto en la toma (fig. **2** 2, página 3).
- Ponga el interruptor principal (fig. **2** 1, página 3) en "Remote".

## Conexión del contacto de mando externo al inversor

- En caso necesario, apague el inversor.
- Conecte el contacto de mando externo (alimentación de tensión a partir del inversor) al puerto Remote (fig. **2** 3, página 3) conforme al esquema de conexiones (fig. **3**, página 3).
- Ponga el interruptor principal (fig. **2** 1, página 3) en "Remote".



### NOTA

Si desea utilizar un contacto de mando externo con alimentación propia de tensión, por ejemplo a partir del mechero, es necesario insertar un relé adecuado.

## 8.3 Conectar varios aparatos



### ¡ADVERTENCIA! ¡Peligro de muerte por descarga eléctrica!

Si desea conectar al inversor más de un aparato e instala para ello un circuito de distribución de cajas de enchufe, deberá instalar un interruptor de protección (interruptor FI) y colocar un puente en el inversor. Sólo personal técnico familiarizado con las directivas VDE correspondientes puede conectar el puente de puesta a tierra.

El aparato se suministra equipado con separación galvánica. Para el funcionamiento seguro de los aparatos conectados es absolutamente necesario que se instale un interruptor de protección (interruptor FI) en el circuito de distribución de cajas de enchufe, véase el esquema de conexiones de ejemplo en la fig. **6**, página 5.

Leyenda para el esquema de conexiones de ejemplo:

Pos. en fig. <b>6</b> , página 5	Explicación
1	Fuente de tensión de 230 V~
2	Otros aparatos como p. ej. cargador de batería, nevera
3	Fuente de tensión CC (batería)
4	Inversor
5	Puente de puesta a tierra colocado (suministro: sin colocar, se representa rayado)
6	Interruptor de protección (interruptor FI)
7	Circuito de distribución de cajas de enchufe para aparatos conectados

- Instale un interruptor FI en el circuito de distribución de cajas de enchufe.

### Colocar puente de puesta a tierra (fig. **4**, página 4)



#### **¡ADVERTENCIA! ¡Peligro de muerte por descarga eléctrica!**

Sólo personal técnico familiarizado con las directivas VDE correspondientes puede conectar el puente de puesta a tierra.



#### **NOTA**

En su estado de suministro, la clavija del puente de puesta a tierra siempre está introducida en el punto de conexión "FG" (tensión alterna aislada).

- Desatornille los cuatro tornillos de fijación superiores (**2**) situados en los laterales del aparato con una llave Allen.
- Retire la tapa (**1**).



#### **¡AVISO!**

El puente de puesta a tierra se puede modificar con los puntos de conexión "FG" y "N + FG". No modifique la conexión de los demás puntos, de otro modo el aparato podría resultar dañado.

- Extraiga la clavija (3) del punto de conexión "FG" (4).
- Introduzca la clavija (3) en el punto de conexión "N + FG" (5).
- Vuelva a colocar la tapa del aparato (1) y fíjela con los tornillos (2).

## 9 Usar el inversor



### ¡AVISO!

**Si no existe interruptor de protección:** cuando el inversor esté conectado a la tensión de red externa, la caja de enchufe de 230 V de salida estará puesta a tierra.

Cuando no haya una conexión externa a la red, el inversor sólo estará conectado a la batería (corriente continua). En este caso, la caja de enchufe de 230 V de salida no estará puesta a tierra, sino que estará asegurada mediante el aislamiento de protección.



### ¡AVISO! ¡Peligro de cortocircuito!

Conecte en primer lugar el inversor y sólo entonces los aparatos.

Tenga en cuenta las siguientes indicaciones al utilizar el inversor:

- Si la tensión de la batería cae durante el funcionamiento por debajo del valor de alarma (véase "Alarma de subtensión" en capítulo "Datos técnicos" en la página 75), se emite una señal acústica de advertencia y el LED "UVP" (fig. 1 7, página 3) se enciende.
  - Si la tensión de la batería cae por debajo del valor de desconexión (véase "Desconexión por subtensión" en capítulo "Datos técnicos" en la página 75), el inversor se apaga.
  - En caso de un calentamiento excesivo, el inversor se apaga y el LED "OLP" (fig. 1 6, página 3) se ilumina.  
Una vez enfriado, el inversor se vuelve a encender automáticamente.
  - Cuando se utilice el inversor durante mucho tiempo y bajo una carga considerable, se recomienda arrancar el motor para recargar la batería del vehículo.
- Conecte su aparato a la salida de 230 V (fig. 1 4, página 3).  
También puede conectar un sistema de distribución a las cajas de enchufe.

## 9.1 Utilizar el inversor sin control remoto

- ▶ Coloque el interruptor principal (fig. **2** 1, página 3) en la posición
  - “ON” para encender el inversor
  - “OFF” para apagar el inversor
- ✓ Cuando el inversor está encendido luce el LED “POWER”.

## 9.2 Utilizar el inversor con un control remoto



### NOTA

Tenga también en cuenta las instrucciones de uso que se adjuntan al control remoto.

- ▶ Coloque el interruptor principal en (fig. **2** 1, página 3) en la posición “Remote”.
- ▶ Encienda o apague el inversor con
  - las teclas de encendido y apagado del control remoto **o**
  - al contacto de mando externo
- ✓ Cuando el inversor está encendido luce el LED “POWER”.

# 10 Mantenimiento y limpieza del inversor



### ¡AVISO!

No utilice ningún objeto o producto de limpieza corrosivo o duro en la limpieza, ya que podría dañar el producto.

- ▶ Limpie de vez en cuando el producto con un paño húmedo.



# 11 Solución de fallos

Fallo	Causa	Solución
No hay tensión de salida.	No hay contacto con la batería.	Compruebe el contacto y el cable. En caso necesario, conecte el encendido.
	Sobrecarga térmica	Desconecte el aparato conectado. Deje que el inversor se enfríe y asegure una mejor ventilación. En caso necesario, disminuya la carga continua.
	La tensión de entrada es demasiado alta.	Compruebe la tensión de entrada del inversor comparándola con los datos técnicos del mismo.
	El fusible está averiado (en el inversor o en el lado del vehículo).	Cambie el fusible por uno de la misma especificación.
	Aparato averiado	Cambie el aparato.
El aparato se enciende y apaga cíclicamente.	La carga continua es demasiado alta.	Reduzca la carga.
Al conectar los aparatos se desconecta el inversor.	La corriente de conexión es demasiado alta.	Compare la potencia de los aparatos conectados con la potencia máxima del inversor.
Tensión de salida demasiado baja.	Tensión de la batería menor que el valor de desconexión (véase "Desconexión por subtensión" en capítulo "Datos técnicos" en la página 75)	Cargue la batería (arranque el motor).



## NOTA

La tensión de salida sólo puede medirse correctamente mediante un dispositivo de medición True RMS.

## 12 Garantía legal

Rige el plazo de garantía legal. Si el producto presenta algún defecto, diríjase a la sucursal del fabricante de su país (ver direcciones en el dorso de estas instrucciones) o a su establecimiento especializado.

Para la tramitación de la reparación y de la garantía debe enviar también los siguientes documentos:

- una copia de la factura con fecha de compra,
- el motivo de la reclamación o una descripción de la avería.

## 13 Gestión de residuos

► Deseche el material de embalaje en el contenedor de reciclaje correspondiente.



Cuando vaya a desechar definitivamente el producto, infórmese en el centro de reciclaje más cercano o en un comercio especializado sobre las normas pertinentes de eliminación de materiales.

## 14 Datos técnicos



### NOTA

En el caso de temperaturas ambiente superiores a 40 °C (por ejemplo, en salas de motores o de calderas, bajo la radiación directa del sol) se reduce la potencia continua expuesta en los Datos Técnicos.

Los siguientes datos técnicos rigen para todos los inversores:

	<b>PP1002 PP2002</b>	<b>PP1004 PP2004</b>
Tensión de salida:	230 V <sub>~</sub> <sup>1</sup>	
Frecuencia de salida:	50 Hz ± 2 Hz	
Consumo de corriente sin carga:	< 1,5 A	< 1,5 A
Rendimiento bajo carga continua:	> 85 %	
Rango de tensión de entrada:	11 – 15 V <sub>===</sub>	22 – 30 V <sub>===</sub>
Tensión de entrada de la red:	230 V <sub>~</sub>	
Alarma de subtensión:	11 V	22 V
Desconexión de subtensión:	10,5 V	21 V
Reconexión de subtensión:	12,2 V	24,4 V
Desconexión por sobretensión:	15,5 V	30,5 V
Desconexión por sobrecarga:	130 %	
Desconexión por sobretemperatura:	80 °C	
Fusible conexión de prioridad:	10 A	
Temperatura ambiente		
– Almacenamiento:	–30 °C – +70 °C	
– Funcionamiento:	0 °C – +40 °C	
Humedad del aire		
– Almacenamiento:	20 % – 90 %	
– Funcionamiento:	10 % – 95 %	
Homologación/Certificado:		

	<b>PP1002</b>	<b>PP1004</b>
Potencia de salida continua:	1.000 W	
Potencia de salida máxima:	2.000 W	
Fusible CC:	30 A x 4	15 A x 4
Dimensiones A x L x H:	176 x 338 x 95 mm	
Peso:	3,5 kg	

	<b>PP2002</b>	<b>PP2004</b>
Potencia de salida continua:	2.000 W	
Potencia de salida máxima:	4.000 W	
Fusible CC:	30 A x 8	15 A x 8
Dimensiones A x L x H:	176 x 443 x 95 mm	
Peso:	5 kg	

**Por favor, leia atentamente este manual antes da montagem e colocação em funcionamento do aparelho e guarde-o em local seguro. Em caso de transmissão do produto, entregue o manual ao novo utilizador.**

## Índice

1	Explicação dos símbolos . . . . .	78
2	Indicações gerais de segurança . . . . .	78
3	Material fornecido . . . . .	80
4	Acessórios . . . . .	80
5	Destinatários do presente manual . . . . .	80
6	Utilização adequada . . . . .	81
7	Descrição técnica . . . . .	81
8	Fixar e ligar o conversor . . . . .	84
9	Utilizar o conversor . . . . .	89
10	Conservar e limpar o conversor . . . . .	90
11	Eliminação de erros . . . . .	91
12	Garantia . . . . .	92
13	Eliminação . . . . .	92
14	Dados técnicos . . . . .	93

# 1 Explicação dos símbolos

**AVISO!**

**Indicação de segurança:** o incumprimento pode provocar a morte ou ferimentos graves.

**NOTA!**

O incumprimento pode causar danos materiais e pode prejudicar o funcionamento do produto.

**OBSERVAÇÃO**

Informações suplementares sobre a operação do produto.

## 2 Indicações gerais de segurança

O fabricante não se responsabiliza por danos nos seguintes casos:

- Erros de montagem ou de conexão
- Danos no produto resultantes de influências mecânicas e sobretensões
- Alterações ao produto sem autorização expressa do fabricante
- Utilização para outras finalidades que não as descritas no manual de instruções

### 2.1 Segurança geral

**AVISO!**

- Utilize o aparelho apenas para o fim previsto.
- A manutenção e reparação apenas podem ser realizadas por um técnico familiarizado com os perigos inerentes ou com as prescrições em vigor.
- As pessoas (incluindo crianças) que não estão aptas a utilizar o produto de modo seguro devido a incapacidade física, sensorial ou mental ou devido à sua inexperiência não devem utilizar o produto sem a supervisão ou as instruções de uma pessoa responsável.
- **Os aparelhos elétricos não são brinquedos!**  
Guarde e utilize o aparelho fora do alcance das crianças.

## 2.2 Segurança durante a instalação do aparelho



### AVISO!

- A instalação do aparelho apenas pode ser efetuada por empresas especializadas que estão familiarizadas com as diretivas e as medidas de segurança a aplicar.
- No caso de instalação incorreta de aparelhos elétricos em embarcações, podem ser provocados danos de corrosão na embarcação. A instalação do aparelho deve ser efetuada por um eletricista especializado (em embarcações).

## 2.3 Segurança durante a utilização do aparelho



### AVISO!

Tenha em atenção as seguintes medidas de segurança fundamentais durante a utilização de aparelhos elétricos para a proteção contra:

- Choque elétrico
  - Perigo de incêndio
  - Ferimentos
- 
- Utilize o aparelho apenas quando a carcaça e os cabos não apresentam danos.
  - Preste atenção para não obstruir as entradas e saídas de ar do aparelho.
  - Assegure uma boa ventilação. O conversor produz calor que deve ser dissipado.
  - Para realizar trabalhos no aparelho, deve interromper sempre a fonte de alimentação.

### 3 Material fornecido

Quantidade	Designação
1	Conversor
1	Cabo de conexão de 230 V
4	Suportes de montagem
1	Chapa de montagem
2	Terminais de cabos
1	Manual de instruções

### 4 Acessórios

Disponível como acessório (não consta do material fornecido):

Designação	N.º art.
Controlo remoto MCR9	9600000091

Em caso de dúvidas quanto a acessórios, por favor, entre em contacto com o seu parceiro de assistência técnica.

### 5 Destinatários do presente manual

O capítulo “Ligar o conversor” na página 85 destina-se exclusivamente a técnicos que estejam devidamente familiarizados com as diretivas VDE.

Todos os outros capítulos também se destinam aos utilizadores do aparelho.



## 6 Utilização adequada



### AVISO!

O conversor não pode ser utilizado em veículos cujo polo positivo da bateria está ligado ao chassis.

Os conversores PP1002, PP1004, PP2002 e PP2004 destinam-se à alimentação de tensão de consumidores de 230 V numa alimentação de tensão de 12 V ou 24 V:

- **12 V:** PP1002 e PP2002
- **24 V:** PP1004 e PP2004

Os conversores são adequados para a utilização em autocaravanas, veículos comerciais, bem como em embarcações a motor e a vela.

## 7 Descrição técnica

Os conversores PP1000 e PP2000 são compostos por duas unidades funcionais:

- Ligação do conversor: gera uma tensão alternada de 230 V a partir de uma tensão da bateria de
  - **12 V:** PP1002 e PP2002
  - **24 V:** PP1004 e PP2004
- Ligação prioritária de rede: comuta automaticamente entre tensão de alimentação externa de 230 V (por exemplo de um parque de campismo) e uma tensão de 230 V gerada a partir de uma bateria

A tensão de alimentação externa tem prioridade: a tomada de saída é separada do circuito de tensão externo e ligada ao circuito de tensão do conversor, apenas quando já não existir tensão externa. Assim, garante-se que existe sempre uma tensão de 230 V na tomada de saída.

Do funcionamento de inversor para a fonte alimentação de terra:

A comutação do funcionamento de inversor, onde é gerada uma tensão alternada de 230 V a partir da tensão da bateria, para a fonte de alimentação de terra realiza-se com atraso.

Ao inserir a ficha na tomada externa (parque de campismo, porto), o inversor é desligado após um tempo de atraso de aprox. 4 s. A corrente de terra é comutada 2 s mais tarde. Assim, os aparelhos ligados têm tempo para se desligar sem problemas.

Da corrente de terra para o funcionamento de inversor:

A comutação da corrente de terra para o funcionamento de inversor também está sujeita a um atraso.

Se a corrente de terra falhar, o inversor liga-se após 2 segundos.

**NOTA!**

Durante a comutação, os aparelhos ligados devem estar desligados. Uma vez que não recebem tensão durante 2 s, eventualmente, têm de ser ligados novamente.

O conversor está equipado com uma proteção contra sobrecarga térmica e elétrica, bem como com uma proteção contra subtensão e sobretensão. O conversor desliga-se:

- quando a temperatura interna do conversor é demasiado elevada
- quando a sobrecarga ultrapassa os valores de potência indicados nos dados técnicos
- quando a tensão de entrada é demasiado baixa ou demasiado elevada

Nos conversores, pode ser ligado um consumidor individual ou um sistema de distribuição de tomadas para realizar uma rede de bordo de 230 V com várias tomadas.

No estado inicial, o aparelho está equipado com um isolamento galvânico. Para o funcionamento seguro com vários consumidores, é obrigatoriamente necessário que seja instalado um interruptor de proteção (corta-circuito) no circuito de distribuição das tomadas e que a ponte de ligação à terra seja estabelecida no conversor.

**OBSERVAÇÃO**

Ao conectar aparelhos com acionamento elétrico (por exemplo, berbequim, frigorífico, etc.), tenha em consideração que os mesmos necessitam de uma potência de arranque mais elevada do que a indicada na chapa de características.

O conversor pode ser ligado manualmente ou com um controlo remoto.

A refrigeração é realizada através de um ventilador controlado, dependente da carga.

## 7.1 Elementos de comando



### OBSERVAÇÃO

A versão ilustrada destina-se à Europa continental.

### Vista frontal (fig. 1, página 3)

N.º	Descrição
1	<b>Grid:</b> este LED acende quando o conversor é alimentado por uma tensão de alimentação externa de 230 V; a ligação prioritária está ativa.
2	Conexão para a alimentação de tensão externa de 230 V
3	Circuit Breaker: fusível
4	Saída de 230 V~
5	<b>POWER:</b> este LED acende quando o conversor está ligado.
6	<b>OLP:</b> este LED acende quando os consumidores ligados consomem demasiada corrente.
7	<b>UVP:</b> este LED acende quando a capacidade da bateria é demasiado fraca.
8	<b>OVP:</b> este LED acende quando a tensão de entrada é demasiado elevada.

### Vista traseira (fig. 2, página 3)

N.º	Descrição
1	Interruptor principal
2	Conexão do controlo remoto MCR9
3	Conexão paracomutador externo
4	Ligação à terra
5	Ventilador
6	Borne negativo
7	Borne positivo

## 8 Fixar e ligar o conversor

### 8.1 Fixar o conversor



#### AVISO!

- Tenha atenção para que o aparelho esteja posicionado num local seguro!  
Instale o aparelho e fixe-o de modo que
  - não possa tombar ou cair
  - não seja possível mover-se durante a condução
- Proteja o aparelho de modo que não esteja acessível a crianças. Podem existir perigos que não são reconhecidos pelas crianças.

O conversor pode ser fixado com os suportes fornecidos.

Respeite as seguintes indicações durante a escolha do local de montagem:

- **Não** opere o aparelho em
  - ambientes húmidos ou molhados
  - ambientes com pó
  - ambientes com materiais inflamáveis
  - espaços com perigo de explosão
- Não exponha o aparelho a fontes de calor (radiação solar, aquecimento, etc.). Evite assim um aquecimento adicional do aparelho.
- Respeite os comprimentos dos cabos e escolha um local de montagem perto da bateria de alimentação.
- Escolha um local de montagem bem arejado.  
No caso de instalações em espaços pequenos e fechados, deve existir uma boa ventilação e exaustão de ar.
- Preste atenção para que a entrada de ar nas faces laterais do conversor permaneça desobstruída.
- Escolha uma superfície de montagem que seja plana e apresente uma estabilidade suficiente.

Fixe o conversor da seguinte forma (fig. **5**, página 4):

**NOTA!**

Antes de fazer quaisquer perfurações, certifique-se de que não são danificados cabos elétricos ou outras peças do veículo devido a trabalhos de perfuração, corte ou lixamento.

- ▶ Encaixe cada dois suportes na saliência inferior esquerda e na direita. Em seguida, os suportes podem ser livremente deslocados.
- ▶ Fixe o conversor, aparafusando um parafuso de cada vez nas perfurações dos suportes.

## 8.2 Ligar o conversor

**AVISO!**

A conexão do conversor apenas pode ser efetuada por empresas especializadas.

As seguintes informações destinam-se a técnicos devidamente familiarizados com as diretivas e medidas de segurança a aplicar.

Durante a ligação elétrica, respeite as seguintes indicações de segurança:

**NOTA! Perigo de curto-circuito!**

- Durante os trabalhos no veículo, separe sempre primeiro a ligação da massa da bateria de alimentação.
- Separe a alimentação externa de 230 V da caravana.
- Se tiver de passar cabos por paredes em chapa ou paredes com arestas afiadas, utilize tubos vazios ou tubos de passar cabos.
- Não coloque os cabos soltos ou muito dobrados em materiais eletrocondutores (metal).
- Fixe bem os cabos.
- Não puxe pelos cabos.
- Não instale o cabo de rede de 230 V e o cabo de corrente contínua de 12/24 V no mesmo canal de cabos (tubo vazio).
- Coloque os cabos de modo a que não exista perigo de queda e que se possa excluir danos nos cabos.

**AVISO! Perigo de morte devido a choque elétrico!**

Se pretender ligar mais do que um consumidor ao conversor e para tal construir um circuito de distribuição das tomadas, terá de prever um interruptor de proteção (corta-circuito) e estabelecer a ponte de ligação à terra no conversor, ver capítulo “Ligar vários consumidores” na página 87.

**Ligar o conversor à terra**

- ▶ Ligue a ligação à terra do conversor (fig. **2** 4, página 3) com a terra do veículo.

**Ligar o conversor à bateria****OBSERVAÇÃO**

Tenha em consideração que, ao desligar a bateria, todos os acumuladores voláteis dos consumidores ligados perdem os seus dados memorizados.

**NOTA!**

Tenha atenção à polaridade correta. Se a ligação positiva e a negativa forem trocadas, o aparelho pode ser danificado.

- ▶ Ligue o terminal de conexão do cabo vermelho de conexão da bateria ao borne positivo (fig. **2** 7, página 3) no conversor.
- ▶ Ligue o terminal de conexão do cabo preto de conexão da bateria ao borne negativo (fig. **2** 6, página 3) no conversor.
- ▶ Verifique se as ligações fazem contacto corretamente. Eventualmente, tem de reapertar outra vez as uniões roscadas posteriormente.

**OBSERVAÇÃO**

Devido à carga dos condensadores internos, ao ligar, pode provocar a formação de faúlhas.

- ▶ Ligue o cabo vermelho de conexão da bateria ao polo positivo da bateria.
- ▶ Ligue o cabo preto de conexão da bateria ao polo negativo da bateria.

### Ligar o conversor à ligação de rede de 230 V

- Insira o cabo de conexão de 230 V na conexão para a alimentação de tensão de 230 V do conversor (fig. **1** 2, página 3).
- Ligue o cabo de conexão de 230 V a uma tomada de 230 V instalada no veículo.

### Ligar o controlo remoto ao conversor

- Se necessário, desligue o conversor.
- Insira o controlo remoto na conexão (fig. **2** 2, página 3).
- Coloque o interruptor principal (fig. **2** 1, página 3) em "Remote".

### Ligar o comutador externo ao conversor

- Se necessário, desligue o conversor.
- Ligue o comutador externo (alimentação de tensão de um conversor) de acordo com o esquema de ligação (fig. **3**, página 3) à porta Remote (fig. **2** 3, página 3).
- Coloque o interruptor principal (fig. **2** 1, página 3) em "Remote".



#### OBSERVAÇÃO

Se pretender utilizar um comutador externo com alimentação de tensão própria, por exemplo, da ignição, tem de inserir num circuito um relé adequado.

## 8.3 Ligar vários consumidores



#### AVISO! Perigo de morte devido a choque elétrico!

Se pretender ligar mais do que um consumidor ao conversor e para tal construir um circuito de distribuição das tomadas, terá de prever um interruptor de proteção (corta-circuito) e estabelecer a ponte de ligação à terra no conversor. A ponte de ligação à terra só pode ser ligada por um técnico que esteja devidamente familiarizado com as diretivas VDE.

No estado inicial, o aparelho está equipado com um isolamento galvânico. Para o funcionamento seguro com vários consumidores, é obrigatoriamente necessário que no circuito de distribuição das tomadas seja instalado um interruptor de proteção (corta-circuito), ver o exemplo do esquema de ligações em fig. **6**, página 5.

Legenda do exemplo do esquema de ligações:

Pos. na fig. <b>6</b> , página 5	Explicação
1	Fonte de tensão de 230 V~
2	Aparelhos adicionais como, por exemplo, carregador de baterias, frigorífico
3	Fonte de tensão DC (bateria)
4	Conversor
5	Ponte de ligação à terra estabelecida (estado inicial: não estabelecida, representada a tracejado)
6	Interruptor de proteção (corta-circuito)
7	Circuito de distribuição das tomadas para os consumidores

- Monte um corta-circuito no circuito de distribuição das tomadas.

### Estabelecer a ponte de ligação à terra (fig. **4**, página 4)



#### **AVISO! Perigo de morte devido a choque elétrico!**

A ponte de ligação à terra só pode ser ligada por um técnico que esteja devidamente familiarizado com as diretivas VDE.



#### **OBSERVAÇÃO**

No estado de fornecimento, a ficha para a ponte de ligação à terra está sempre inserida no local de encaixe "FG" (tensão alternada isolada).

- Desaperte os quatro parafusos de fixação superiores (**2**) nas faces laterais do aparelho com uma chave sextavada interior.
- Retire a tampa (**1**).



#### **NOTA!**

A ponte de ligação à terra é alterada com os locais de encaixe "FG" e "N + FG". Não modifique os outros locais de encaixe, caso contrário, o aparelho pode ser danificado.

- Retire a ficha (**3**) do local de encaixe "FG" (**4**).
- Insira a ficha (**3**) no local de encaixe "N + FG" (**5**).
- Coloque novamente a tampa do aparelho (**1**) e fixe-a com os parafusos (**2**).



## 9 Utilizar o conversor



### NOTA!

**Se não existir interruptor de proteção:** se o conversor estiver ligado à tensão de alimentação externa, a tomada de saída de 230 V está ligada à terra.

Se não existir tensão de alimentação externa, o conversor apenas está ligado à bateria (corrente contínua). Neste caso, a tomada de saída de 230 V não está ligada à terra, estando antes protegida através do isolamento de proteção.



### NOTA! Perigo de curto-circuito!

Comece por ligar o conversor e só depois o consumidor.

Respeite as seguintes indicações durante a utilização do conversor:

- Se, durante o funcionamento, a tensão da bateria descer para um valor inferior ao valor de alarme (ver “Alarme de subtensão” no capítulo “Dados técnicos” na página 93), é emitido um aviso sonoro e o LED “UVP” acende (fig. 1 7, página 3).
- Se a tensão da bateria descer para um valor inferior ao valor de desativação, (ver “Desativação por subtensão” no capítulo “Dados técnicos” na página 93), o conversor desliga-se.
- No caso de um aquecimento demasiado elevado, o conversor desliga-se e o LED “OLP” (fig. 1 6, página 3) acende.

Após o arrefecimento, o conversor volta a ligar-se automaticamente.

- Ao utilizar o conversor durante muito tempo e sob carga considerável, recomenda-se que ligue o motor para recarregar a bateria do veículo.
- Ligue o seu consumidor à saída de 230 V (fig. 1 4, página 3).  
Também pode ligar um sistema de distribuição de tomadas.

## 9.1 Utilizar o conversor sem controlo remoto

- ▶ Coloque o interruptor principal (fig. **2** 1, página 3) em
  - “ON” para **ligar** o conversor
  - “OFF” para **desligar** o conversor
- ✓ O LED “POWER” acende quando o conversor está ligado.

## 9.2 Utilizar o conversor com um controlo remoto



### OBSERVAÇÃO

Respeite também o manual de instruções incluído no material fornecido do controlo remoto.

- ▶ Coloque o interruptor principal (fig. **2** 1, página 3) em “Remote”.
- ▶ Ligue ou desligue o conversor através
  - dos botões no controlo remoto **ou**
  - do comutador externo
- ✓ O LED “POWER” acende quando o conversor está ligado.

## 10 Conservar e limpar o conversor



### NOTA!

Não utilizar objectos afiados ou duros ou agentes de limpeza para a limpeza, uma vez que podem ser causados danos no produto.

- ▶ De vez em quando, limpe o aparelho com um pano húmido.

# 11 Eliminação de erros

Falha	Causa	Eliminação
Sem tensão de saída	Sem contacto com a bateria	Verifique o contacto e o cabo. Se necessário, ligue a ignição.
	Sobrecarga térmica	Desligue o consumidor. Deixe o conversor arrefecer e garanta uma melhor ventilação. Se necessário, diminua a carga contínua.
	Tensão de entrada demasiado elevada.	Verifique a tensão de entrada no conversor e compare com os dados técnicos do conversor.
	Fusível fundido (no conversor ou no veículo)	Substituição do fusível por um fusível com a mesma especificação.
	O aparelho está avariado	Substitua o aparelho.
Aparelho liga/desliga de modo cíclico	Carga contínua demasiado elevada	Reduza a carga.
Quando os consumidores são ligados, o conversor desliga-se	Corrente de arranque demasiado elevada	Compare a potência dos consumidores com a potência máxima do conversor.
Tensão de saída demasiado baixa	Tensão da bateria inferior ao valor de desativação (ver "Desativação por subtensão" no capítulo "Dados técnicos" na página 93)	Carregue a bateria (coloque o motor a trabalhar).



## OBSERVAÇÃO

A tensão de saída só pode ser medida corretamente com um aparelho de medição True RMS.

## 12 Garantia

É válido o prazo de garantia legal. Se o produto estiver com defeito, por favor, dirija-se à representação do fabricante no seu país (endereços, ver verso do manual) ou ao seu revendedor.

Para fins de reparação ou de garantia, terá de enviar os seguintes documentos em conjunto:

- uma cópia da factura com a data de aquisição,
- um motivo de reclamação ou uma descrição da falha.

## 13 Eliminação

- Sempre que possível, coloque o material de embalagem no respectivo contentor de reciclagem.



Para colocar o aparelho definitivamente fora de funcionamento, por favor, informe-se junto do centro de reciclagem mais próximo ou revendedor sobre as disposições de eliminação aplicáveis.



## 14 Dados técnicos



### OBSERVAÇÃO

No caso de temperaturas ambiente superiores a 40 °C (por exemplo, em divisões com motor ou aquecimento, radiações solares diretas), reduz-se a potência contínua indicada nos dados técnicos.

Os seguintes dados técnicos são válidos para todos os conversores:

	<b>PP1002 PP2002</b>	<b>PP1004 PP2004</b>
Tensão de saída:	230 V <sub>rL</sub>	
Frequência de saída:	50 Hz ± 2 Hz	
Consumo de corrente sem carga:	< 1,5 A	< 1,5 A
Grau de eficiência com carga permanente:	> 85 %	
Gama da tensão de entrada:	11 – 15 V <sub>===</sub>	22 – 30 V <sub>===</sub>
Tensão de entrada de rede:	230 V <sub>~</sub>	
Alarme de subtensão:	11 V	22 V
Desativação por subtensão:	10,5 V	21 V
Novo arranque por subtensão:	12,2 V	24,4 V
Desativação por sobretensão:	15,5 V	30,5 V
Desativação por sobrecarga:	130 %	
Desativação por temperatura excessiva:	80 °C	
Ligação prioritária do fusível:	10 A	
Temperatura ambiente – armazenamento: – funcionamento:	-30 °C – +70 °C 0 °C – +40 °C	
Humidade do ar – armazenamento: – funcionamento:	20 % – 90 % 10 % – 95 %	
Verificação/certificado:	 	

	<b>PP1002</b>	<b>PP1004</b>
Potência de saída permanente:	1000 W	
Potência de saída máxima:	2000 W	
Fusível DC:	30 A x 4	15 A x 4
Dimensões L x C x A:	176 x 338 x 95 mm	
Peso:	3,5 kg	

	<b>PP2002</b>	<b>PP2004</b>
Potência de saída permanente:	2000 W	
Potência de saída máxima:	4000 W	
Fusível DC:	30 A x 8	15 A x 8
Dimensões L x C x A:	176 x 443 x 95 mm	
Peso:	5 kg	

**Prima di effettuare il montaggio e la messa in funzione leggere accuratamente questo manuale di istruzioni, conservarlo e in caso di trasmissione del prodotto, consegnarlo all'utente successivo.**

## Indice

1	Spiegazione dei simboli . . . . .	96
2	Indicazioni di sicurezza generali. . . . .	96
3	Dotazione . . . . .	98
4	Accessori . . . . .	98
5	Destinatari di queste istruzioni . . . . .	98
6	Uso conforme alla destinazione . . . . .	99
7	Descrizione tecnica. . . . .	99
8	Fissaggio e collegamento dell'inverter . . . . .	102
9	Impiego dell'inverter . . . . .	107
10	Cura e pulizia dell'inverter . . . . .	108
11	Eliminazione dei guasti . . . . .	109
12	Garanzia . . . . .	110
13	Smaltimento . . . . .	110
14	Specifiche tecniche. . . . .	111

# 1 Spiegazione dei simboli

**AVVERTENZA!**

**Avviso di sicurezza:** la mancata osservanza di questo avviso può causare ferite gravi anche mortali.

**AVVISO!**

La mancata osservanza di questa nota può causare danni materiali e compromettere il funzionamento del prodotto.

**NOTA**

Informazioni integranti relative all'impiego del prodotto.

## 2 Indicazioni di sicurezza generali

Il produttore non si assume nessuna responsabilità per danni nei seguenti casi:

- errori di montaggio o di allacciamento
- danni al prodotto dovuti a influenze meccaniche o a sovratensioni
- modifiche al prodotto senza esplicita autorizzazione del produttore
- impiego per altri fini rispetto a quelli descritti nel manuale di istruzioni

### 2.1 Sicurezza generale

**AVVERTENZA!**

- Utilizzare l'apparecchio solamente per un uso conforme alla sua destinazione.
- I lavori di manutenzione e di riparazione devono essere effettuati solo da uno specialista informato sui pericoli connessi e sulle relative prescrizioni.
- Persone (bambini compresi) che a causa della proprie capacità fisiche, sensoriali o mentali, oppure che a causa della propria inesperienza e scarsa conoscenza non siano in grado di utilizzare il prodotto in modo sicuro, devono evitare di utilizzarlo se non in presenza e seguendo le istruzioni di una persona per loro responsabile.
- **Gli elettrodomestici non sono giocattoli!**  
Conservare e impiegare l'apparecchio lontano dalla portata dei bambini.



## 2.2 Sicurezza durante l'installazione dell'apparecchio



### AVVERTENZA!

- L'installazione dell'apparecchio deve essere eseguita esclusivamente da tecnici specializzati ed istruiti a conoscenza delle direttive da adottare e dei dispositivi di sicurezza.
- Se gli apparecchi elettrici vengono installati in modo errato sulle imbarcazioni, possono verificarsi danni all'imbarcazione dovuti a corrosione. L'installazione dell'apparecchio dovrebbe essere eseguita da un elettricista competente (per imbarcazioni).

## 2.3 Sicurezza durante il funzionamento dell'apparecchio



### AVVERTENZA!

Durante l'uso di apparecchi elettrici attenersi alle misure di sicurezza fondamentali descritte qui di seguito per proteggersi da:

- scosse elettriche
  - pericolo di incendio
  - ferite
- 
- Azionare l'apparecchio solamente se l'alloggiamento e i cavi non sono danneggiati.
  - Accertarsi che gli ingressi e le uscite dell'aria dell'apparecchio non siano coperti.
  - Accertarsi che ci sia una buona aerazione. L'inverter genera calore di dissipazione che deve essere espulso.
  - Qualora si operi sull'apparecchio, interrompere sempre l'alimentazione elettrica.

### 3 Dotazione

Quantità	Denominazione
1	Inverter
1	Cavo di allacciamento principale 230 V
4	Supporti per il montaggio
1	Piastra di montaggio
2	Capocorde
1	Istruzioni per l'uso

### 4 Accessori

Disponibile come accessorio (non in dotazione):

Denominazione	N. articolo
Telecomando MCR9	9600000091

In caso di domande sugli accessori rivolgersi al proprio partner di servizio.

### 5 Destinatari di queste istruzioni

Il capitolo "Collegamento dell'inverter" a pagina 103 si rivolge esclusivamente a persone specializzate a conoscenza delle varie direttive VDE!

Tutti gli altri capitoli si rivolgono anche agli utenti dell'apparecchio.

## 6 Uso conforme alla destinazione



### AVVERTENZA!

Non montare l'inverter in veicoli sui quali il polo positivo della batteria è collegato al telaio.

Gli inverter PP1002, PP1004, PP2002 e PP2004 alimentano con tensione le utenze a 230 V a una alimentazione di tensione da 12 V o 24 V:

- **12 V:** PP1002 e PP2002
- **24 V:** PP1004 e PP2004

Gli inverter sono adatti all'uso in caravan, utilitarie oppure barche a motore o a vela.

## 7 Descrizione tecnica

Gli inverter PP1000 e PP2000 sono composti da due unità funzionali:

- Commutazione dell'inverter: generazione di una tensione alternata di 230 V da una tensione di batteria di
  - **12 V:** PP1002 e PP2002
  - **24 V:** PP1004 e PP2004
- Circuito prioritario di rete: commuta automaticamente tra la tensione di rete esterna di 230 V (p. es. in campeggio) e la tensione da 230 V generata da una batteria.

La tensione di rete esterna ha la precedenza: solo quando non è più presente tensione esterna, la presa di uscita del circuito di tensione esterno viene staccata e collegata al circuito di tensione dell'inverter. In questo modo viene assicurato che alla presa di uscita è presente una tensione di 230 V.

Dal funzionamento inverter all'alimentazione elettrica terrestre:

la commutazione dal funzionamento dell'inverter (che genera una tensione alternata da 230 Volt), alla corrente terrestre avviene in modo ritardato.

Con l'inserimento della spina nella presa esterna (campeggio, porto), dopo un tempo di ritardo di ca. 4 sec, l'inverter si spegne. Dopo altri 2 sec la corrente terrestre viene collegata. In questo modo viene dato tempo agli apparecchi collegati di spegnersi correttamente.

Dalla corrente terrestre al funzionamento inverter:

anche la commutazione dalla corrente terrestre al funzionamento inverter avviene in modo ritardato.

Se viene a mancare la corrente terrestre, l'inverter si accende dopo 2 secondi.

**AVVISO!**

Gli apparecchi collegati devono essere spenti al momento della commutazione. Dal momento che essi non vengono alimentati per 2 sec, devono eventualmente venire riaccesi.

L'inverter è dotato di una protezione da sovraccarico per il calore e per la corrente nonché di una protezione contro la sottotensione e la sovratensione. L'inverter si spegne

- se la temperatura interna dell'inverter è eccessiva
- se il carico supera i valori di prestazione menzionati nelle specifiche tecniche
- se la tensione di ingresso è insufficiente o eccessiva

All'inverter è possibile collegare solo un'utenza oppure un sistema di distribuzione di prese per realizzare una rete di bordo da 230 V con diverse prese.

Allo stato di consegna, l'apparecchio è dotato di separazione galvanica. Per far funzionare in modo sicuro più di un'utenza è indispensabile che nel circuito di distribuzione prese sia integrato un interruttore di protezione (interruttore differenziale), e che sia presente un ponte elettrico nell'inverter.

**NOTA**

Durante il collegamento di apparecchi con azionamento elettrico (ad es. trapani, frigoriferi e simili) tenere presente che durante la fase di avvio spesso essi necessitano di una potenza maggiore rispetto a quella riportata sulla targhetta.

L'inverter può venire inserito manualmente o con il comando a distanza.

Il raffreddamento avviene ad opera di una ventola regolata in base al carico.

## 7.1 Elementi di comando



### NOTA

La versione raffigurata è quella per l'Europa continentale.

### Vista anteriore (fig. 1, pagina 3)

N.	Descrizione
1	<b>Grid:</b> questo LED è acceso quando l'inverter viene alimentato da una tensione di rete esterna da 230 V; il circuito prioritario è attivo.
2	Allacciamento per alimentazione di tensione esterna da 230 V
3	Circuit Breaker: fusibile
4	Uscita da 230 V~
5	<b>POWER:</b> questo LED è acceso quando è inserito un inverter.
6	<b>OLP:</b> questo LED è acceso quando un'utenza collegata assorbe troppa corrente.
7	<b>UVP:</b> questo LED è acceso quando la capacità della batteria non è sufficiente.
8	<b>OVP:</b> questo LED è acceso quando la tensione di ingresso è troppo alta.

### Vista posteriore (fig. 2, pagina 3)

N.	Descrizione
1	Interruttore principale
2	Collegamento del comando a distanza MCR9
3	Collegamento per contatto di commutazione esterno
4	Terminale di terra
5	Ventola
6	Morsetto negativo
7	Morsetto positivo

## 8 Fissaggio e collegamento dell'inverter

### 8.1 Fissaggio dell'inverter



#### AVVERTENZA!

- Accertarsi che la base di appoggio sia sicura!  
Posizionare e fissare l'apparecchio in modo sicuro
  - per impedire che possa rovesciarsi o cadere
  - in modo non si possa muovere
- Mettere l'apparecchio in un posto sicuro in modo tale che sia fuori dalla portata dei bambini. Possono sussistere pericoli che non vengono riconosciuti dai bambini!

È possibile fissare l'inverter con i supporti in dotazione.

Osservare le seguenti avvertenze per la scelta del luogo di montaggio:

- **Non** azionare l'apparecchio in
  - ambienti umidi o bagnati
  - ambienti polverosi
  - ambienti dove sono presenti materiali infiammabili
  - luoghi a rischio di esplosione
- Non esporre l'apparecchio a fonti di calore (esposizione ai raggi solari, riscaldamento e simili). Evitare che l'apparecchio si surriscaldi ulteriormente.
- Prestare attenzione alle lunghezze del cavo e scegliere un luogo di montaggio vicino alla batteria di alimentazione.
- Scegliere un luogo di montaggio ben ventilato.  
Se le installazioni vengono eseguite in locali piccoli e chiusi, deve essere presente un sistema di aerazione e disaerazione.
- Prestare attenzione che l'entrata d'aria sul lato frontale dell'inverter rimanga libera.
- Scegliere una superficie di montaggio piana e sufficientemente stabile.

Fissare l'inverter come segue (fig. **5**, pagina 4):



#### AVVISO!

Prima di effettuare qualsiasi tipo di foro, assicurarsi che nessun cavo elettrico o altri componenti del veicolo vengano danneggiati durante l'uso di trapani, seghe e lime.

- Innestare due supporti sulla barra inferiore di sinistra e due su quella di destra. Successivamente sarà possibile spostare i supporti a piacere.
- Fissare l'inverter avvitando una vite in ogni foro dei supporti.

## 8.2 Collegamento dell'inverter



### AVVERTENZA!

Il collegamento dell'inverter deve essere eseguito esclusivamente da tecnici specializzati ed istruiti.

Le seguenti informazioni si rivolgono ai tecnici specializzati a conoscenza delle direttive e delle disposizioni sulla sicurezza da adottare.

Osservare le seguenti indicazioni di sicurezza per il collegamento elettrico.



### AVVISO! Pericolo di cortocircuito!

- Quando si effettuano lavori sul veicolo separare sempre il collegamento di massa alla batteria di alimentazione.
- Scollegare l'alimentazione esterna da 230 V del camper.
- Se i cavi devono passare attraverso pareti in lamiera, oppure pareti a spigoli vivi, utilizzare tubi vuoti o canaline per cavi.
- Non posare i cavi in modo malfermo o con forti pieghe sui materiali che conducono elettricità (metalli).
- Fissare bene i cavi.
- Non tirare i cavi.
- Non posare il cavo di rete da 230 V e il cavo a corrente continua da 12/24 V nello stesso condotto (tubo vuoto).
- Posare i cavi in modo tale che non sussista pericolo di inciampamento e che si possano escludere eventuali danni al cavo.



### AVVERTENZA! Pericolo di morte per scossa elettrica!

Se si desidera collegare più di un'utenza all'inverter e montare inoltre un circuito di distribuzione per prese, è necessario predisporre un interruttore di protezione (interruttore differenziale) ed effettuare il ponte elettrico nell'inverter, vedi capitolo "Collegamento di più utenze" a pagina 105.

### Messa a terra dell'inverter

- Collegare il terminale di terra dell'inverter (fig. **2** 4, pagina 3) alla massa del veicolo.

## Collegamento dell'inverter alla batteria



### NOTA

Tenere presente che quando si stacca la batteria tutte le memorie volatili delle utenze collegate perdono i dati memorizzati.



### AVVISO!

Fare attenzione che la polarità sia corretta. Se il terminale positivo e negativo vengono scambiati, è possibile danneggiare l'apparecchio.

- Collegare il morsetto del cavo di collegamento rosso della batteria al morsetto positivo (fig. **2** 7, pagina 3) dell'inverter.
- Collegare il morsetto del cavo di collegamento nero della batteria al morsetto negativo (fig. **2** 6, pagina 3) dell'inverter.
- Accertarsi che il contatto dei collegamenti sia sicuro. Eventualmente è necessario in un secondo tempo serrare nuovamente le chiusure a vite.



### NOTA

Quando i condensatori interni vengono caricati, al momento del collegamento potrebbero formarsi delle scintille.

- Collegare il cavo di collegamento rosso della batteria al polo positivo della batteria.
- Collegare il cavo di collegamento nero della batteria al polo negativo della batteria.

## Collegamento dell'inverter all'allacciamento alla rete da 230 V

- Inserire il cavo di collegamento di 230 V nel collegamento per l'alimentazione di tensione da 230 V dell'inverter (fig. **1** 2, pagina 3).
- Collegare il cavo di collegamento da 230 V a una presa di 230 V montata su un veicolo.

## Collegamento del comando a distanza all'inverter

- Eventualmente, spegnere l'inverter.
- Inserire l'estremità del cavo del comando a distanza nell'allacciamento (fig. **2** 2, pagina 3).
- Impostare l'interruttore principale (fig. **2** 1, pagina 3) su "Remote".



## Collegamento del contatto di commutazione esterno all'inverter

- Spegnerne l'inverter se necessario.
- Collegare il contatto di commutazione esterno (alimentazione di tensione dall'inverter) secondo gli schemi elettrici (fig. **3**, pagina 3) sulla Remote Port (fig. **2** 3, pagina 3).
- Impostare l'interruttore principale (fig. **2** 1, pagina 3) su "Remote".



### NOTA

Se si desidera utilizzare un contatto di commutazione esterno con una propria alimentazione di corrente, ad esempio con l'alimentazione dell'accensione, è necessario inserire un relè adatto.

## 8.3 Collegamento di più utenze



### AVVERTENZA! Pericolo di morte per scossa elettrica!

Se si desidera collegare più di un'utenza all'inverter e montare inoltre un circuito di distribuzione per prese, è necessario predisporre un interruttore di protezione (interruttore differenziale) ed effettuare il ponte elettrico nell'inverter. Il ponte elettrico può essere collegato solo da una persona specializzata, a conoscenza delle varie direttive VDE.

Allo stato di consegna, l'apparecchio è dotato di separazione galvanica. Per far funzionare in modo sicuro più di un'utenza è indispensabile che nel circuito di distribuzione prese sia integrato un interruttore di protezione (interruttore differenziale), vedi schema elettrico esemplificativo nella fig. **6**, pagina 5.

Legenda dello schema elettrico esemplificativo:

Pos. in fig. <b>6</b> , pagina 5	Spiegazione
1	Sorgente di tensione da 230 V~
2	Ulteriori apparecchi come caricatori per batterie, frigoriferi
3	Sorgente di tensione CC (batteria)
4	Inverter
5	Ponte elettrico effettuato (alla consegna: non effettuato, rappresentato dalla linea tratteggiata)
6	Interruttore di protezione (interruttore differenziale)
7	Circuito di distribuzione prese per utenze

- Integrare un interruttore differenziale nel circuito di distribuzione prese.

### Effettuazione del ponte elettrico (fig. **4**, pagina 4)



#### **AVVERTENZA! Pericolo di morte per scossa elettrica!**

Il ponte elettrico può essere collegato solo da una persona specializzata, a conoscenza delle varie direttive VDE.



#### **NOTA**

Nello stato di consegna la spina per il ponte elettrico è sempre inserito nello slot "FG" (tensione alternata isolata).

- Svitare le quattro viti di fissaggio superiori (**2**) sul lato anteriore dell'apparecchio con la brugola.
- Rimuovere il coperchio (**1**).



#### **AVVISO!**

Il ponte elettrico viene modificato con gli slot "FG" e "N + FG". Non modificare gli altri slot per non causare danni all'apparecchio.

- Estrarre la spina (**3**) dallo slot "FG" (**4**).
- Inserire la spina (**3**) nello slot "N + FG" (**5**).
- Reinserrire il coperchio dell'apparecchio (**1**) e fissarlo con le viti (**2**).

## 9 Impiego dell'inverter



### AVVISO!

**Se non è presente un interruttore di protezione:** se l'inverter è allacciato a una tensione di rete esterna, la presa d'uscita di 230 V è collegata a terra.

Se non è presente una tensione di rete esterna, l'inverter è collegato solamente alla batteria (corrente continua). In questo caso la presa d'uscita da 230 V non è collegata a terra, ma protetta da un apposito isolamento.



### AVVISO! Pericolo di cortocircuito.

Accendere prima l'inverter e solo poi le utenze.

Osservare le seguenti avvertenze per l'uso dell'inverter:

- Se durante il funzionamento la tensione della batteria scende sotto al valore allarme (vedi "Allarme di sottotensione" nel capitolo "Specifiche tecniche" a pagina 111), viene emesso un segnale acustico e si accende il LED "UVP" (fig. **1** 7, pagina 3).
- Se la tensione della batteria scende al di sotto del valore di disinserimento (vedi "Spegnimento per sottotensione" nel capitolo "Specifiche tecniche" a pagina 111), l'inverter viene disinserito.
- In caso di riscaldamento eccessivo, l'inverter viene disinserito e il LED "OLP" (fig. **1** 6, pagina 3) si accende.

Quando l'inverter si è raffreddato, si riaccende automaticamente.

- Se si tiene in funzione l'inverter per un periodo prolungato e con la massima sollecitazione, si consiglia di avviare il motore per ricaricare la batteria del veicolo.
- Collegare la propria utenza a un'uscita di 230 V (fig. **1** 4, pagina 3).  
È possibile collegare un sistema di distribuzione prese.

## 9.1 Uso dell'inverter senza comando a distanza


- ▶ Posizionare l'interruttore principale (fig. **2** 1, pagina 3) su
  - "ON", per **accendere** l'inverter
  - "OFF", per **spegnere** l'inverter
- ✓ Il LED "POWER" si illumina quando l'inverter è acceso.

## 9.2 Uso dell'inverter con il comando a distanza



### NOTA

Osservare anche le istruzioni per l'uso comprese nel volume di consegna del comando a distanza.

- ▶ Posizionare l'interruttore principale (fig. **2** 1, pagina 3) su "Remote".
- ▶ Accendere o spegnere l'inverter con
  - i tasti del comando a distanza 
  - il contatto di commutazione esterno
- ✓ Il LED "POWER" si illumina quando l'inverter è acceso.

## 10 Cura e pulizia dell'inverter



### AVVISO!

Per la pulizia non impiegare oggetti ruvidi o appuntiti, oppure detergenti perché potrebbero danneggiare il prodotto.

- ▶ Pulire il prodotto di tanto in tanto con un panno umido.

## 11 Eliminazione dei guasti

Guasto	Causa	Eliminazione
Tensione di uscita assente	Nessun contatto alla batteria	Controllare il contatto e il cavo. Se necessario inserire l'accensione.
	Sovraccarico termico	Disinserire le utenze. Lasciare raffreddare l'inverter e migliorare l'aerazione. Eventualmente diminuire il carico permanente.
	Tensione di ingresso troppo alta	Controllare la tensione di ingresso all'inverter e confrontarla con i dati tecnici dell'inverter.
	Fusibile difettoso (nell'inverter o nel veicolo)	Sostituzione del fusibile con un fusibile con le stesse specifiche.
	Apparecchio guasto	Sostituire l'apparecchio.
L'apparecchio si inserisce e disinserisce ciclicamente	Carico permanente eccessivo	Ridurre il carico.
Inserendo l'utenza l'inverter viene disinserito	Corrente di avvio eccessiva	Confrontare la potenza dell'utenza con la potenza massima dell'inverter.
Tensione d'uscita troppo bassa	Tensione di batteria inferiore al valore di disinserimento (vedi "Spegnimento per sottotensione" nel capitolo "Specifiche tecniche" a pagina 111)	Caricare la batteria (avviare il motore).



### NOTA

La tensione di uscita ad onda quadra può essere misurata correttamente solo con uno strumento che fornisce un tipo di misurazione true RMS.

## 12 Garanzia

Vale il termine di garanzia previsto dalla legge. Qualora il prodotto risultasse difettoso, La preghiamo di rivolgersi alla filiale del produttore del suo Paese (l'indirizzo si trova sul retro del manuale di istruzioni), oppure al rivenditore specializzato di riferimento.

Per la riparazione e per il disbrigo delle condizioni di garanzia è necessario inviare la seguente documentazione:

- una copia della fattura con la data di acquisto del prodotto,
- un motivo su cui fondare il reclamo, oppure una descrizione del guasto.

## 13 Smaltimento

- Raccogliere il materiale di imballaggio possibilmente negli appositi contenitori di riciclaggio.



Quando il prodotto viene messo fuori servizio definitivamente, informarsi al centro di riciclaggio più vicino, oppure presso il proprio rivenditore specializzato, sulle prescrizioni adeguate concernenti lo smaltimento.

## 14 Specifiche tecniche



### NOTA

Con temperature ambiente superiori a 40 °C (p. es. in vani motore o di riscaldamento, esposizione diretta ai raggi solari), è possibile che la potenza continua menzionata nelle specifiche tecniche si riduca.

Le seguenti specifiche tecniche sono valide per tutti gli inverter:

	<b>PP1002 PP2002</b>	<b>PP1004 PP2004</b>
Tensione di uscita:	230 V $\sqrt{3}$	
Frequenza di uscita:	50 Hz $\pm$ 2 Hz	
Assorbimento di corrente a vuoto:	< 1,5 A	< 1,5 A
Grado di rendimento con carico continuo:	> 85 %	
Campo di tensione di ingresso:	11 – 15 V $\equiv$	22 – 30 V $\equiv$
Tensione di ingresso di rete:	230 V $\sim$	
Allarme di sottotensione:	11 V	22 V
Spegnimento per sottotensione:	10,5 V	21 V
Riaccensione dovuta a sottotensione:	12,2 V	24,4 V
Spegnimento per sovratensione:	15,5 V	30,5 V
Spegnimento per sovraccarico:	130 %	
Spegnimento per sovratemperatura:	80 °C	
Fusibile del commutatore di priorità:	10 A	
Temperatura ambiente – magazzino: – esercizio:	–30 °C – +70 °C 0 °C – +40 °C	
Umidità dell'aria – magazzino: – esercizio:	20 % – 90 % 10 % – 95 %	
Certificati di controllo:		

	<b>PP1002</b>	<b>PP1004</b>
Potenza di uscita continua:	1000 W	
Potenza di uscita di picco:	2000 W	
Fusibile CC:	30 A x 4	15 A x 4
Dimensioni L x P x H:	176 x 338 x 95 mm	
Peso:	3,5 kg	

	<b>PP2002</b>	<b>PP2004</b>
Potenza di uscita continua:	2000 W	
Potenza di uscita di picco:	4000 W	
Fusibile CC:	30 A x 8	15 A x 8
Dimensioni L x P x H:	176 x 443 x 95 mm	
Peso:	5 kg	



**Lees deze handleiding voor de montage en de ingebruikname zorgvuldig door en bewaar hem. Geef de handleiding bij het doorgeven van het product aan de gebruiker.**

## **Inhoudsopgave**

1	Verklaring van de symbolen . . . . .	114
2	Algemene veiligheidsaanwijzingen . . . . .	114
3	Omvang van de levering . . . . .	115
4	Toebehoren. . . . .	116
5	Doelgroep van deze handleiding . . . . .	116
6	Gebruik volgens bestemming . . . . .	116
7	Technische beschrijving . . . . .	117
8	Omvormer bevestigen en aansluiten . . . . .	119
9	Omvormer gebruiken . . . . .	125
10	Omvormer onderhouden en reinigen . . . . .	126
11	Verhelpen van storingen. . . . .	127
12	Garantie . . . . .	128
13	Afvoeren . . . . .	128
14	Technische gegevens. . . . .	129

# 1 Verklaring van de symbolen

**WAARSCHUWING!**

**Veiligheidsaanwijzing:** Het niet naleven kan leiden tot overlijden of ernstig letsel.

**LET OP!**

Het niet naleven ervan kan leiden tot materiële schade en de werking van het product beperken.

**INSTRUCTIE**

Aanvullende informatie voor het bedienen van het product.

## 2 Algemene veiligheidsaanwijzingen

De fabrikant kan in de volgende gevallen niet aansprakelijk worden gesteld voor schade:

- montage- of aansluitfouten
- beschadiging van het product door mechanische invloeden en overspanningen
- veranderingen aan het product zonder uitdrukkelijke toestemming van de fabrikant
- gebruik voor andere dan de in de handleiding beschreven toepassingen

### 2.1 Algemene veiligheid

**WAARSCHUWING!**

- Gebruik het toestel alleen voor zijn eigenlijke gebruiksdoel.
- Het onderhoud en de reparatie mag alleen door een vakman worden uitgevoerd die met de gevaren die ermee verbonden zijn en de betreffende voorschriften vertrouwd is.
- Personen die door hun psychische, sensorische of geestelijke vaardigheden of hun onervarenheid of onwetendheid niet in staat zijn het toestel veilig te gebruiken, mogen dit niet zonder toezicht of instructie door een verantwoordelijke persoon doen.
- **Elektrische toestellen zijn geen speelgoed!**  
Bewaar en gebruik het toestel buiten het bereik van kinderen.

## 2.2 Veiligheid bij de installatie van het toestel



### WAARSCHUWING!

- De installatie van het toestel mag uitsluitend worden uitgevoerd door goed geïnformeerde speciaalzaken die met de in acht te nemen richtlijnen en veiligheidsmaatregelen vertrouwd zijn.
- Bij een verkeerde installatie van elektrische toestellen op boten kan er corrosieschade aan de boot ontstaan. De installatie van het toestel moet door een vakkundig (boot-)elektricien uitgevoerd worden.

## 2.3 Veiligheid bij het gebruik van het toestel



### WAARSCHUWING!

Neem onderstaande fundamentele veiligheidsmaatregelen in acht bij het gebruik van elektrische toestellen ter bescherming voor:

- elektrische schokken
  - brandgevaar
  - verwondingen
- Gebruik het toestel alleen als de behuizing en de leidingen onbeschadigd zijn.
  - Let erop dat de luchtin- en uitgangen van het toestel niet afgedekt worden.
  - Let op de goede ventilatie. De omvormer produceert verlieswarmte die moet worden afgevoerd.
  - Verbreek bij werkzaamheden aan het toestel altijd de stroomtoevoer.

## 3 Omvang van de levering

Aantal	Omschrijving
1	Omvormer
1	230-V-aansluitkabel
4	Montagehouders
1	Montageplaat
2	Kabelschoenen
1	Bedieningshandleiding

## 4 Toebehoren

Als toebehoren verkrijgbaar (niet in de leveringsomvang inbegrepen):

Omschrijving	Artikelnr.
Afstandsbediening MCR9	9600000091

Neem bij vragen over het toebehoren contact op met uw servicepartner.

## 5 Doelgroep van deze handleiding

Het hoofdstuk „Omvormer aansluiten“ op pagina 121 is uitsluitend gericht op vak-kundige personen die met de betreffende VDE-richtlijnen vertrouwd zijn.

Alle overige hoofdstukken zijn ook op de gebruikers van het toestel gericht.

## 6 Gebruik volgens bestemming



### WAARSCHUWING!

De omvormer mag niet gebruikt worden in voertuigen waarbij de plus-pool van de accu met het chassis verbonden is.

De omvormers PP1002, PP1004, PP2002 en PP2004 zijn bestemd voor de voedingsspanning van 230 V-verbruikers op een voedingsspanning van 12 V of 24 V:

- **12 V:** PP1002 en PP2002
- **24 V:** PP1004 en PP2004

De omvormers zijn geschikt voor gebruik in campers, bedrijfsvoertuigen en motor-en zeiljachten.

## 7 Technische beschrijving

De omvormers PP1000 en PP2000 bestaan uit twee functionele eenheden:

- omvormer-schakeling: genereert een 230 V-wisselspanning uit een accuspanning van
  - **12 V:** PP1002 en PP2002
  - **24 V:** PP1004 en PP2004
- net-voorrangschakeling: schakelt automatisch om tussen vreemde 230 V-netspanning (bijv. van een kampeerplaats) en uit een accu gegenereerde 230 V-spanning

De vreemde netspanning heeft voorrang: alleen als er geen externe spanning meer voorhanden is, wordt het uitgangstopcontact van het externe spanningscircuit gescheiden en met het spanningscircuit van de omvormer verbonden. Zo kan men ervan uitgaan dat het uitgangstopcontact altijd onder een spanning van 230 V staat.

Van invertermodus naar landstroomvoeding:

De omschakeling van de invertermodus, waarbij de 230 Volt-wisselspanning uit de accuspanning wordt gegenereerd, naar landstroomvoeding vindt vertraagd plaats.

Met het insteken van de stekker in de contactdoos buiten (kampeerplaats, haven) wordt na een vertragingstijd van ca. 4 s de inverter uitgeschakeld. Na nog eens 2 s wordt de landstroom doorgeschakeld. Hierdoor wordt aan de aangesloten toestellen tijd gegeven om correct uit te schakelen.

Van landstroom naar invertermodus:

De omschakeling van landstroom naar invertermodus vindt eveneens met een vertraging plaats.

Als de landstroom uitvalt, schakelt de inverter na 2 seconden in.



### LET OP!

Aangesloten toestellen moeten bij het omschakelen uitgeschakeld zijn. Aangezien deze voor 2 s geen spanning krijgen, moeten ze eventueel weer ingeschakeld worden.

De omvormer is van een thermische en een elektrische overbelastingsbeveiliging en een onder- en overspanningsbeveiliging voorzien. De omvormer schakelt uit:

- als de interne temperatuur van de omvormer te hoog is
- als de belasting de vermogenswaarden overstijgt die in de Technische gegevens genoemd zijn
- als de ingangsspanning te laag of te hoog is

Op de omvormer kan een afzonderlijke verbruiker worden aangesloten of een verdeeldoosysteem, om een 230 V-boordnet met meerdere stopcontacten te realiseren.

Het toestel is in de afleveringstoestand met een galvanische scheiding uitgerust. Voor een veilige werking van meerdere verbruikers is het beslist noodzakelijk dat in het verdeeldooscircuit een veiligheidsschakelaar (FI-schakelaar) wordt ingebouwd en de aardleiding in de omvormer wordt geplaatst.



### INSTRUCTIE

Houd er bij de aansluiting van toestellen met elektrische aandrijving (bijv. boormachine, koelkast enz.) rekening mee dat deze bij het opstarten vaak een hoger vermogen nodig hebben dan aangegeven op het typeplaatje.

De omvormer kan met de hand of met een afstandsbediening worden ingeschakeld.

De koeling vindt plaats via een lastafhankelijk aangestuurde ventilator.

## 7.1 Bedieningselementen



### INSTRUCTIE

Afgebeeld is de versie voor Continentaal Europa.

### Vooraanzicht (afb. **1**, pagina 3)

Nr.	Beschrijving
1	<b>Grid:</b> Deze LED brandt, als de omvormer door een externe 230 V-netspanning wordt gevoed; de voorrangschakeling is actief.
2	Aansluiting voor de externe 230 V-voedingsspanning
3	Circuit Breaker: zekering
4	230 V~ -uitgang
5	<b>POWER:</b> Deze LED brandt, als de omvormer is ingeschakeld.
6	<b>OLP:</b> Deze LED brandt als de aangesloten verbruikers te veel stroom opnemen.
7	<b>UVP:</b> Deze LED brandt, als de accucapaciteit te zwak is.
8	<b>OVP:</b> Deze LED brandt, als de ingangsspanning te hoog is.

**Achteraanzicht (afb. 2, pagina 3)**

Nr.	Beschrijving
1	Hoofdschakelaar
2	Aansluiting afstandsbediening MCR9
3	Aansluiting voor extern schakelcontact
4	Massa-aansluiting
5	Ventilator
6	Minklem
7	Plusklem

## 8 Omvormer bevestigen en aansluiten

### 8.1 Omvormer bevestigen

**WAARSCHUWING!**

- Let erop dat de installatie veilig staat!  
Stel het toestel veilig op en bevestig het zo dat
  - het niet kan omvallen of naar beneden vallen
  - het niet kan bewegen tijdens het rijden of varen
- Beveilig het toestel zo dat kinderen er geen toegang toe hebben. Er kunnen gevaren ontstaan die door kinderen niet herkend worden!

U kunt de omvormer met de meegeleverde houders bevestigen.

Neem bij de keuze van de montageplaats de volgende aanwijzingen in acht:

- Gebruik het toestel **niet** in
  - een vochtige of natte omgeving
  - een stoffige omgeving
  - omgevingen met ontvlambare materialen
  - explosiegevaarlijke ruimtes
- Stel het toestel niet aan een warmtebron (zonnestralen, verwarming enz.) bloot. Vermijd zo een extra opwarming van het toestel.
- Let op de lengte van de kabels en kies een montageplaats in de buurt van een voedingsaccu.

- Kies een goed geventileerde montageplaats.  
Bij installaties in gesloten, kleine ruimtes moet er ventilatie mogelijk zijn.
- Let erop dat er aan de kopzijden van de omvormer geen lucht intreedt.
- Kies een montageoppervlak dat effen en voldoende stevig is.

Bevestig de omvormer als volgt (afb. **5**, pagina 4):

**LET OP!**

Controleer voor het boren of er geen elektrische kabels of andere delen van het voertuig door boren, zagen en vijlen beschadigd kunnen raken.

- Clip twee houders op zowel het linker als rechter verbindingstuk onderaan. U kunt de houders achteraf naar wens verschuiven.
- Schroef de omvormer vast door telkens één schroef door de boringen in de houders te schroeven.



## 8.2 Omvormer aansluiten



### WAARSCHUWING!

De aansluiting van de omvormer mag alleen door daarvoor opgeleide vaklui uitgevoerd worden.

De volgende informatie is bestemd voor vaklui die met de betreffende richtlijnen en veiligheidsmaatregelen vertrouwd zijn.

Neem bij de elektrische aansluiting de volgende veiligheidsaanwijzingen in acht:



### LET OP! Gevaar voor kortsluiting!

- Verbreek bij werkzaamheden aan het voertuig altijd de massaverbinding naar de voedingsaccu.
- Verbreek de externe spanning van 230 V naar de camper!
- Als de leidingen door plaatwanden of andere wanden met scherpe randen geleid moeten worden, gebruik dan holle buizen of leidingen-doorvoeren.
- Leg de leidingen niet los of scherp geknikt op elektrisch geleidend materiaal (metaal).
- Bevestig de leidingen goed.
- Trek niet aan leidingen.
- Plaats de 230 V-netleiding en de 12/24 V-gelijkstroomleiding niet samen in dezelfde kabelgoot (holle buis).
- Leg de leidingen zodanig dat er niet over gestruikeld kan worden en beschadiging van de kabel uitgesloten is.



### WAARSCHUWING! Levensgevaar door elektrische schok!

Als u meer dan één verbruiker aan de omvormer wilt aansluiten en daarvoor een verdeeldooscircuït moet bouwen, moet u een veiligheidsschakelaar (FI-schakelaar) gebruiken en een aardleiding aanbrengen in de omvormer, zie hoofdstuk „Meerdere verbruikers aansluiten” op pagina 123.

### Omvormer aarden

- Massa-aansluiting van de omvormer (afb. **2** 4, pagina 3) aansluiten op de massa van het voertuig.

## Omvormer aan de accu aansluiten



### INSTRUCTIE

Let erop dat bij het losklemmen van de accu alle vluchtige geheugens van de aangesloten verbruikers hun opgeslagen gegevens verliezen.



### LET OP!

Let op een correcte poling. Als de plus- en min aansluiting worden verwisseld kan het toestel worden beschadigd.

- ▶ Aansluitklem van de rode accu-aansluitkabel met de plusklem (afb. **2** 7, pagina 3) aansluiten op de omvormer.
- ▶ Aansluitklem van de zwarte accu-aansluitkabel met de minklem (afb. **2** 6, pagina 3) aansluiten op de omvormer.
- ▶ Verbindingen op veilig contact testen.  
Eventueel moet u de schroefverbindingen later nog eens bijdraaien.



### INSTRUCTIE

Door oplading van de interne condensatoren kunnen bij het aansluiten vonken ontstaan.

- ▶ Rode accu-aansluitkabel met de pluspool van de accu verbinden.
- ▶ Zwarte accu-aansluitkabel met de minpool van de accu verbinden.

## Omvormer aan de 230 V-netaansluiting aansluiten

- ▶ 230 V-aansluitkabel in de aansluiting voor de 230 V-voedingsspanning van de omvormer (afb. **1** 2, pagina 3) steken.
- ▶ 230 V-aansluitkabel met een in het voertuig geïnstalleerde 230 V-stopcontact verbinden.

## Afstandsbediening aan de omvormer aansluiten

- ▶ Omvormer indien nodig uitschakelen.
- ▶ Kabeleinde van de afstandsbediening in de aansluiting steken (afb. **2** 2, pagina 3).
- ▶ Hoofdschakelaar (afb. **2** 1, pagina 3) op „Remote” zetten.

## Extern schakelcontact op de omvormer aansluiten

- Omvormer indien nodig uitschakelen.
- Extern schakelcontact (spanningsvoeding uit de omvormer) volgens schakelbeeld (afb. **3**, pagina 3) aan de Remote Port (afb. **2** 3, pagina 3) aansluiten.
- Hoofdschakelaar (afb. **2** 1, pagina 3) op „Remote” zetten.



### INSTRUCTIE

Als u een extern schakelcontact met eigen spanningsvoeding, bijv. van het contact, wilt gebruiken, dan moet u een geschikt relais ertussen schakelen.

## 8.3 Meerdere verbruikers aansluiten



### WAARSCHUWING! Levensgevaar door elektrische schok!

Als u meer dan een verbruiker aan de omvormer wilt aansluiten en daarvoor een verdeeldooscircuït moet bouwen, moet u een veiligheidsschakelaar (FI-schakelaar) gebruiken en een aardleiding in de omvormer aanbrengen. De aardleiding mag alleen worden aangesloten door een vakkundige persoon die vertrouwd is met de betreffende VDE-richtlijnen.

Het toestel is in de afleveringstoestand met een galvanische scheiding uitgerust. Voor een veilige werking van meerdere verbruikers is het beslist noodzakelijk dat in het verdeeldooscircuït een veiligheidsschakelaar (FI-schakelaar) wordt ingebouwd, zie voorbeeld-schakelschema in afb. **6**, pagina 5.

Legenda bij het voorbeeld-schakelschema:

Pos. in afb. <b>6</b> , pagina 5	Verklaring
1	230 V~ -spanningsbron
2	Meer toestellen zoals acculader, koelkast
3	DC-spanningsbron (accu)
4	Omvormer
5	Aardleiding aangebracht (afleveringstoestand: niet aangebracht, gestippeld weergegeven)
6	Veiligheidsschakelaar (FI-schakelaar)
7	Verdeeldooscircuit voor verbruikers

- Bouw een FI-schakelaar in het verdeeldooscircuit.

### Aardleiding aanbrengen (afb. **4**, pagina 4)



#### **WAARSCHUWING! Levensgevaar door elektrische schok!**

De aardleiding mag alleen worden aangesloten door een vakkundige persoon die vertrouwd is met de betreffende VDE-richtlijnen.



#### **INSTRUCTIE**

In de afleveringstoestand moet de stekker voor de aardleiding altijd op steekplaats „FG” worden gestoken (geïsoleerde wisselspanning).

- Schroef de bovenste vier bevestigingsschroeven **(2)** aan de kopzijden van het toestel met een binnenzeskantsleutel eraf.
- Verwijder de deksel **(1)**.



#### **LET OP!**

De aardleiding wordt met de steekplaatsen „FG” en „N + FG” gewijzigd. Wijzig de steekplaatsen niet, omdat het toestel dan kan worden beschadigd.

- Trek de stekker **(3)** van steekplaats „FG” **(4)**.
- Steek de stekker **(3)** op steekplaats „N + FG” **(5)**.
- Zet de deksel weer op het toestel **(1)** en bevestig deze met de schroeven **(2)**.

## 9 Omvormer gebruiken



### LET OP!

**Als er geen veiligheidschakelaar aanwezig is:** Als de omvormer aan de externe netspanning is aangesloten, is het 230 V-uitgangsstopcontact geaard.

Als er geen externe netspanning aanwezig is, is de omvormer alleen met de accu (gelijkstroom) verbonden. In dat geval is het 230 V-uitgangsstopcontact niet geaard, maar beveiligd met de veiligheidsisolatie.



### LET OP! gevaar voor kortsluiting!

Schakel eerst de omvormer in en pas daarna de verbruikers.

Neem bij het gebruik van de omvormer de volgende aanwijzingen in acht:

- Als de accuspanning tijdens de werking onder de alarmwaarde (zie „Onderspanningsalarm” in hoofdstuk „Technische gegevens” op pagina 129), klinkt er een waarschuwingstoon en de LED „UVP” (afb. **1** 7, pagina 3) brandt.
  - Als de accuspanning onder de uitschakelwaarde daalt (zie „Onderspanningsuitschakeling” in hoofdstuk „Technische gegevens” op pagina 129), schakelt de omvormer uit.
  - Bij een te hoge opwarming schakelt de omvormer uit en de rode LED „OLP” (afb. **1** 6, pagina 3) brandt.  
Na het afkoelen schakelt de omvormer weer automatisch in.
  - Bij het gebruik van de omvormer gedurende langere tijd en met de zeer hoge belasting is het aan te raden om de motor te starten, zodat de accu van het voertuig opnieuw kan opladen.
- Sluit uw verbruikers aan op de 230 V-uitgang (afb. **1** 4, pagina 3).  
U kunt ook een verdeeldoos aansluiten.

## 9.1 Omvormer zonder afstandsbediening gebruiken

- ▶ Zet de hoofdschakelaar (afb. **2** 1, pagina 3) op
  - „ON“, om de omvormer **in** te schakelen
  - „OFF“, om de omvormer **uit** te schakelen
- ✓ De LED „POWER“ brandt als de omvormer is ingeschakeld.

## 9.2 Omvormer met een afstandsbediening gebruiken



### INSTRUCTIE

Neem ook de bij de afstandsbediening geleverde bedieningshandleiding in acht.

- ▶ Zet de hoofdschakelaar (afb. **2** 1, pagina 3) op „Remote“.
- ▶ Schakel de omvormer in of uit met
  - de toetsen op de afstandsbediening **of**
  - het externe schakelcontact
- ✓ De LED „POWER“ brandt als de omvormer is ingeschakeld.

## 10 Omvormer onderhouden en reinigen



### LET OP!

Geen scherpe of harde voorwerpen of reinigingsmiddelen bij het reinigen gebruiken. Dit kan het product beschadigen.

- ▶ Reinig het product af en toe met een vochtige doek.

## 11 Verhelpen van storingen

Storing	Oorzaak	Oplossing
Geen uitgangsspanning	Geen contact met de accu	Contact en kabel controleren. Evt. ontsteking inschakelen.
	Thermische overbelasting	Verbruikers uitschakelen. Omvormer laten afkoelen en voor een betere ventilatie zorgen. Verlaag eventueel de continue belasting.
	Ingangsspanning te hoog	Ingangsspanning op omvormer controleren en vergelijken met de technische gegevens van de omvormer.
	Zekering defect (in de omvormer of aan het voertuig)	Vervanging van de zekering door een zekering met dezelfde specificatie.
	Toestel defect	Toestel vervangen.
Toestel schakelt cyclisch aan/uit	Continue belasting te hoog	Belasting verlagen.
Bij het inschakelen van de verbruikers schakelt de omvormer uit	Inschakelstroom te hoog	Vermogen van de verbruikers met het maximale vermogen van de omvormer vergelijken.
Te geringe uitgangsspanning	Accuspanning lager dan uitschakelwaarde (zie „Onderspanningsuitschakeling“ in hoofdstuk „Technische gegevens“ op pagina 129)	Accu laden (motor starten).



### INSTRUCTIE

De uitgangsspanning kan enkel met een True RMS-meettoestel correct gemeten worden.

## 12 Garantie

De wettelijke garantieperiode is van toepassing. Als het product defect is, wendt u zich tot het filiaal van de fabrikant in uw land (adressen zie achterkant van de handleiding) of tot uw speciaalzaak.

Voor de afhandeling van de reparatie of garantie dient u de volgende documenten mee te sturen:

- een kopie van de factuur met datum van aankoop,
- reden van de klacht of een beschrijving van de storing.

## 13 Afvoeren

► Laat het verpakkingsmateriaal indien mogelijk recycleren.



Als u het product definitief buiten bedrijf stelt, informeer dan bij het dichtstbijzijnde recyclingcentrum of uw speciaalzaak naar de betreffende afvoervoorschriften.



## 14 Technische gegevens



### INSTRUCTIE

Bij omgevingstemperaturen hoger dan 40 °C (bijv. in motor- of verwarmingsruimtes, directe zonnestrallen) vermindert het continue vermogen dat bij de technische gegevens wordt genoemd.

De volgende technische gegevens gelden voor alle omvormers:

	<b>PP1002 PP2002</b>	<b>PP1004 PP2004</b>
Uitgangsspanning:	230 V $\sqrt{3}$	
Uitgangsfrequentie:	50 Hz $\pm$ 2 Hz	
Stroomverbruik bij nullast:	< 1,5 A	< 1,5 A
Werkingsgraad bij continue belasting:	> 85 %	
Ingangsspanningsbereik:	11 – 15 V $\equiv$	22 – 30 V $\equiv$
Net-ingangsspanning:	230 V $\sim$	
Onderspanningsalarm:	11 V	22 V
Onderspanningsuitschakeling:	10,5 V	21 V
Herschakeling na onderspanning:	12,2 V	24,4 V
Uitschakeling bij overspanning:	15,5 V	30,5 V
Uitschakeling bij overbelasting:	130 %	
Uitschakeling bij overtemperatuur:	80 °C	
Zekering voorrangschakeling:	10 A	
Omgevingstemperatuur		
– opslag:	–30 °C – +70 °C	
– werking:	0 °C – +40 °C	
Luchtvochtigheid		
– opslag:	20 % – 90 %	
– werking:	10 % – 95 %	
Keurmerk/certificaat:		

	<b>PP1002</b>	<b>PP1004</b>
Continu uitgangsvermogen:	1000 W	
Piekuitgangsvermogen:	2000 W	
DC-zekering:	30 A x 4	15 A x 4
Afmetingen b x l x h:	176 x 338 x 95 mm	
Gewicht:	3,5 kg	

	<b>PP2002</b>	<b>PP2004</b>
Continu uitgangsvermogen:	2000 W	
Piekuitgangsvermogen:	4000 W	
DC-zekering:	30 A x 8	15 A x 8
Afmetingen b x l x h:	176 x 443 x 95 mm	
Gewicht:	5 kg	

**Læs denne vejledning omhyggeligt igennem før installation og ibrugtagning, og opbevar den. Giv den til brugeren, hvis du giver produktet videre.**

## Indholdsfortegnelse

1	Forklaring af symbolerne . . . . .	132
2	Generelle sikkerhedshenvisninger. . . . .	132
3	Leveringsomfang. . . . .	133
4	Tilbehør . . . . .	134
5	Målgruppe for denne vejledning . . . . .	134
6	Korrekt brug . . . . .	134
7	Teknisk beskrivelse . . . . .	135
8	Fastgørelse og tilslutning af inverteren . . . . .	138
9	Anvendelse af inverteren . . . . .	143
10	Vedligeholdelse og rengøring af inverteren . . . . .	144
11	Udbedring af fejl . . . . .	145
12	Garanti . . . . .	146
13	Bortskaffelse . . . . .	146
14	Tekniske data. . . . .	147

# 1 Forklaring af symbolerne

**ADVARSEL!**

**Sikkerhedshenvisning:** Manglende overholdelse kan medføre død eller alvorlig kvæstelse.

**VIGTIGT!**

Manglende overholdelse kan medføre materielle skader og begrænse produktets funktion.

**BEMÆRK**

Supplerende informationer om betjening af produktet.

## 2 Generelle sikkerhedshenvisninger

Producenten påtager sig intet ansvar for skader i følgende tilfælde:

- Monterings- eller tilslutningsfejl
- Beskadigelser på produktet på grund af mekanisk påvirkning og overspænding
- Ændringer på produktet uden udtrykkelig tilladelse fra producenten
- Anvendelse til andre formål end dem, der er beskrevet i vejledningen

### 2.1 Generel sikkerhed

**ADVARSEL!**

- Anvend kun apparatet til det formål, som det er bestemt til.
- Vedligeholdelse og reparation må kun foretages af fagfolk, der kender farerne, der er forbundet hermed, og de pågældende forskrifter.
- Personer (inkl. børn), der på grund af deres fysiske, sanse- eller mentale evner eller deres uerfarenhed eller uvidenhed ikke er i stand til at anvende produktet sikkert, bør kun anvende dette produkt under en ansvarlig persons opsyn eller anvisning.
- **El-apparater er ikke legetøj!**  
Opbevar og anvend apparatet uden for børns rækkevidde.

## 2.2 Sikkerhed ved installation af apparatet



### ADVARSEL!

- Installationen af apparatet må udelukkende foretages af fagfolk med tilsvarende uddannelse, der kender forskrifterne og sikkerhedsforanstaltningerne, der skal anvendes.
- Ved forkert installation af elektriske apparater på en båd kan der forekomme korrosionsskader på båden. Installation af apparatet bør foretages af en sagkyndig (båd-)elektriker.

## 2.3 Sikkerhed under anvendelse af apparatet



### ADVARSEL!

Overhold følgende grundlæggende sikkerhedsforanstaltninger ved brug af elektriske apparater for at beskytte mod:

- Elektrisk stød
- Brandfare
- Kvæstelser
- Anvend kun apparatet, hvis kabinettet og ledningerne er ubeskadigede.
- Tildæk ikke apparatets luftind- og -udgange.
- Sørg for god ventilation. Inverteren producerer overskudsvarme, der skal føres bort.
- Afbryd altid strømforsyningen ved arbejder på apparatet.

## 3 Leveringsomfang

Mængde	Betegnelse
1	Inverter
1	230 V-tilslutningskabel
4	Monteringsholdere
1	Monteringsplade
2	Kabelsko
1	Betjeningsvejledning

## 4 Tilbehør

Kan fås som tilbehør (ikke indeholdt i leveringsomfanget):

Betegnelse	Artikel-nr.
Fjernbetjening MCR9	9600000091

Kontakt din servicepartner, hvis du har spørgsmål vedr. tilbehør.

## 5 Målgruppe for denne vejledning

kapitlet „Tilslutning af inverteren“ på side 139 henvender sig udelukkende til fagfolk, der kender de pågældende VDE-retningslinjer.

Alle øvrige kapitler henvender sig også til brugerne af apparatet.

## 6 Korrekt brug



### ADVARSEL!

Inverteren må ikke anvendes i køretøjer, hvor batteriets pluspol er forbundet med chassiset.

Inverterne PP1002, PP1004, PP2002 og PP2004 anvendes til spændingsforsyning af 230 V-forbrugere på en 12 V- eller 24 V-spændingsforsyning:

- **12 V:** PP1002 og PP2002
- **24 V:** PP1004 og PP2004

Inverterne er egnede til anvendelse i autocampere, erhvervskøretøjer og motor- og sejlyachter.

## 7 Teknisk beskrivelse

Inverterne PP1000 og PP2000 består af to funktionsenheder:

- Inverterkobling: Genererer en 230 V-vekselspænding fra en batterispænding på
  - **12 V:** PP1002 og PP2002
  - **24 V:** PP1004 og PP2004
- Net-prioritetskobling: Skifter automatisk mellem 230 V fremmed netspænding (f.eks. fra campingpladsen) og 230 V-spænding, der er genereret fra et batteri.

Den fremmede netspænding har prioritet: Kun når der ikke længere er en ekstern spænding til rådighed, afbrydes udgangsstikdåsen på den eksterne spændingskreds og forbindes med inverterens spændingskreds. På den måde sikres det, at der altid er en 230 V-spænding på udgangsstikdåsen.

Fra inverterfunktion til netforsyning:

Omstillingen fra inverterfunktionen, hvor 230 Volt-vekselspændingen genereres fra batterispændingen, til netforsyningen foretages forsinket.

Når stikket sættes i den udvendige stikdåse (campingplads, havn), frakobles inverteren efter en forsinkelsestid på ca. 4 sek. Efter yderligere 2 sek. tilkobles netstrømmen. Herved gives de tilsluttede apparater tid til at frakoble korrekt.

Fra netstrøm til inverterfunktion:

Omstillingen fra netstrøm til inverterfunktion foretages også med en forsinkelse.

Hvis netstrømmen svigter, tilkobles inverteren efter 2 sekunder.



### VIGTIGT!

Tilsluttede apparater skal være frakoblet under omstillingen. Da de i 2 sek. ikke forsynes med spænding, skal de evt. tilkobles igen.

Inverteren er udstyret med en termisk og en elektrisk overbelastningsbeskyttelse samt en under- og overspændingsbeskyttelse. Inverteren frakobles:

- Hvis inverterens interne temperatur er for høj
- Hvis belastningen overstiger effektværdierne, der er nævnt i de tekniske data
- Hvis indgangsspændingen er for lav eller for høj

På inverteren kan der tilsluttes en enkelte forbruger eller et stikdåse-fordelersystem for at etablere et internt 230 V-net med flere stikdåser.

Apparatet er fra fabrikken udstyret med galvanisk adskillelse. Af hensyn til sikker drift af flere forbrugere er det tvingende nødvendigt, at der monteres en sikkerhedsafbryder (fejlstrømrelæ) i stikdåsefordelerskredsen og jordforbindelsen etableres i inverteren.

**BEMÆRK**

Vær ved tilslutning af apparater med elektrisk drev (f.eks. boremaskine, køleskab osv.) opmærksom på, at disse ofte har brug for en højere effekt, end der er angivet på typeskiltet, når de startes.

Inverteren kan tilkobles manuelt eller med en fjernbetjening.

Kølingen foretages med en ventilator, der styres belastningsafhængigt.



## 7.1 Betjeningslementer



### BEMÆRK

Versionen for Kontinentaleuropa vises.

### Forside (fig. 1, side 3)

Nr.	Beskrivelse
1	<b>GRID:</b> Denne lysdiode lyser, når inverteren forsynes fra en ekstern 230 V-netspænding; prioritetskoblingen er aktiv.
2	Tilslutning til den eksterne 230 V-spændingsforsyning
3	Circuit Breaker: Sikring
4	230 V~ -udgang
5	<b>POWER:</b> Denne lysdiode lyser, når inverteren er tilkoblet.
6	<b>OLP:</b> Denne lysdiode lyser, når de tilsluttede forbrugere forbruger for meget strøm.
7	<b>UVP:</b> Denne lysdiode lyser, når batterikapaciteten er for svag.
8	<b>OVP:</b> Denne lysdiode lyser, når indgangsspændingen er for høj.

### Bagside (fig. 2, side 3)

Nr.	Beskrivelse
1	Hovedafbryder
2	Tilslutning fjernbetjening MCR9
3	Tilslutning til ekstern omskifter
4	Steltilslutning
5	Ventilator
6	Minusklemme
7	Plusklemme

## 8 Fastgørelse og tilslutning af inverteren

### 8.1 Fastgørelse af inverteren



#### ADVARSEL!

- Sørg for, at apparatet står sikkert!  
Opstil apparatet sikkert, og fastgør det, så
  - det ikke kan vælte eller falde ned.
  - det ikke kan bevæge sig under kørslen.
- Sørg for at sikre apparatet, så børn ikke har adgang til det. Der kan opstå farer, som børn ikke registrerer!

Inverteren kan fastgøres med de vedlagte holdere.

Vær opmærksom på følgende henvisninger ved valg af monteringssted:

- Anvend **ikke** apparatet i
  - fugtige eller våde omgivelser.
  - støvholdige omgivelser.
  - omgivelser med antændelige materialer.
  - rum med eksplosionsfare.
- Udsæt ikke apparatet for varmekilder (sol, varmeapparater osv.). På den måde undgår du yderligere opvarmning af apparatet.
- Vær opmærksom på kabellængderne, og vælg et monteringssted i nærheden af forsyningsbatteriet.
- Vælg et monteringssted med god ventilation.  
Ved installation i lukkede, små rum skal der findes ventilation og udluftning.
- Sørg for, at luftindgangen på inverterens forsider forbliver fri.
- Vælg en monteringsflade, som er plan og tilstrækkeligt fast.

Fastgør inverteren på følgende måde (fig. **5**, side 4):



#### VIGTIGT!

Før du borer, skal du kontrollere, at elektriske kabler eller andre dele på køretøjet ikke beskadiges, når der bores, saves eller files.

- Sæt to holdere på det venstre og to på det højre nederste mellemstykke.  
Holderne kan derefter forskydes efter ønske.
- Skru inverteren fast ved at skrue en skrue gennem hullerne i hver af holderne.

## 8.2 Tilslutning af inverteren



### ADVARSEL!

Tilslutningen må udelukkende installeres af fagfolk med tilsvarende uddannelse.

De efterfølgende informationer henvender sig til fagfolk, der kender forskrifterne og sikkerhedsforanstaltningerne, der skal anvendes.

Overhold følgende sikkerhedshenvisninger ved den elektriske tilslutning:



### VIGTIGT! Fare for kortslutning!

- Afbryd altid først stelforbindelsen til forsyningsbatteriet ved arbejder på køretøjet.
- Afbryd den fremmede 230 V-forsyning til autocamperen.
- Hvis ledninger skal føres gennem pladevægge eller andre vægge med skarpe kanter, skal der anvendes tomme rør eller ledningsgennemføringer.
- Træk ikke ledninger løst eller med skarpe knæk ved elektrisk ledende materialer (metal).
- Fastgør ledningerne godt.
- Træk ikke i ledninger.
- Træk ikke 230 V-netledningen og 12/24 V-jævnstrømsledningen sammen i den samme ledningskanal (tomme rør).
- Træk ledningerne, så der ikke er fare for at falde over dem, og en beskadigelse af kablet er udelukket.



### ADVARSEL! Livsfare på grund af elektrisk stød!

Hvis der skal tilsluttes mere end en forbruger til inverteren og i den forbindelse etableres en stikdåsefordelerkreds, skal der monteres en sikkerhedsafbryder (fejlstrømsrelæ) og jordforbindelsen etableres i inverteren, se kapitlet „Tilslutning af flere forbrugere“ på side 141.

### Jordforbindelse af inverteren

- Forbind steltilslutningen på inverteren (fig. **2** 4, side 3) med stel på køretøjet.

## Tilslutning af inverteren til batteriet



### BEMÆRK

Når batteriets minuspol afbrydes, mister alle de tilsluttede forbrugeres flygtige lagre de gemte data.



### VIGTIGT!

Kontrollér, at polerne ikke ombyttes. Hvis plus- og minustilslutningen byttes om, kan apparatet blive beskadiget.

- Forbind tilslutningsklemmen på det røde batteritilslutningskabel med plusklemmen (fig. **2** 7, side 3) på inverteren.
- Forbind tilslutningsklemmen på det sorte batteritilslutningskabel med minusklemmen (fig. **2** 6, side 3) på inverteren.
- Kontrollér, at forbindelserne har god kontakt.  
Evt. skal forskruingerne på et senere tidspunkt efterspændes igen.



### BEMÆRK

På grund af opladningen af de interne kondensatorer kan der dannes gnister ved tilslutningen.

- Forbind det røde batteritilslutningskabel med batteriets pluspol.
- Forbind det sorte batteritilslutningskabel med batteriets minus pol.

## Tilslutning af inverteren til 230 V-nettilslutningen

- Sæt 230 V-tilslutningskablet i tilslutningen til inverterens 230 V-spændingsforsyning (fig. **1** 2, side 3).
- Forbind 230 V-tilslutningskabel med en 230 V-stikdåse, der er installeret i køretøjet.

## Tilslutning af fjernbetjeningen til inverteren

- Sluk evt. inverteren.
- Sæt fjernbetjeningens kabelende i tilslutningen (fig. **2** 2, side 3).
- Stil hovedafbryderen (fig. **2** 1, side 3) på „Remote“.

## Tilslutning af en ekstern omskifter til inverteren

- Sluk evt. inverteren.
- Tilslut den eksterne omskifter (spændingsforsyning fra inverteren) i henhold til strømskemaet (fig. **3**, side 3) til remote-porten (fig. **2** 3, side 3).
- Stil hovedafbryderen (fig. **2** 1, side 3) på „Remote“.



### BEMÆRK

Hvis du ønsker at bruge en ekstern omskifter med egen spændingsforsyning, f.eks. fra tændingen, skal du indskyde et egnet relæ.

## 8.3 Tilslutning af flere forbrugere



### ADVARSEL! Livsfare på grund af elektrisk stød!

Hvis der skal tilsluttes mere end en forbruger til inverteren og i den forbindelse etableres en stikdåsefordelerkreds, skal der monteres en sikkerhedsafbryder (fejlstrømsrelæ) og jordforbindelsen etableres i inverteren. Jordforbindelsen må kun tilsluttes af en fagmand, der kender de pågældende VDE-retningslinjer.

Apparatet er fra fabrikken udstyret med galvanisk adskillelse. Af hensyn til sikker drift af flere forbrugere er det tvingende nødvendigt, at der monteres en sikkerhedsafbryder (fejlstrømsrelæ) i stikdåsefordelerkredsen, se eksempel på strømskema på fig. **6**, side 5.

Forklaring til eksemplet på strømskema:

Pos. på fig. <b>6</b> , side 5	Forklaring
1	230 V~ -spændingskilde
2	Andre apparater som f.eks. batterilader, køleskab
3	DC-spændingskilde (batteri)
4	Inverter
5	Jordforbindelse etableret (fabrikstilstand: Ikke etableret, vist stiplede)
6	Sikkerhedsafbryder (fejlstrømsrelæ)
7	Stikdåsefordelerkreds til forbrugere

- Montér et fejlstrømsrelæ i stikdåsefordelerkredsen.

**Etablering af jordforbindelsen (fig. 4, side 4)****ADVARSEL! Livsfare på grund af elektrisk stød!**

Jordforbindelsen må kun tilsluttes af en fagmand, der kender de pågældende VDE-retningslinjer.

**BEMÆRK**

Fra fabrikken er stikket til jordforbindelsen altid etableret på stikplads „FG“ (isoleret vekselspænding).

- Skru de øverste fire fastgørelsesskruer (2) på forsiderne af apparatet ud med en unbrakonøgle.
- Tag dækslet (1) af.

**VIGTIGT!**

Jordforbindelsen ændres med stikpladserne „FG“ og „N + FG“. Foretag ikke ændringer af de andre stikpladser. I modsat fald kan apparatet blive beskadiget.

- Træk stikket (3) fra stikplads „FG“ (4).
- Sæt stikket (3) på stikplads „N + FG“ (5).
- Sæt apparatets dæksel (1) på igen, og fastgør det med skruerne (2).

## 9 Anvendelse af inverteren



### VIGTIGT!

**Hvis der ikke findes en sikkerhedsafbryder:** Når inverteren er tilsluttet til den eksterne netspænding, er 230 V-udgangsstikdåsen jordforbundet.

Hvis der ikke er tilsluttet en ekstern netspænding, er inverteren kun forbundet med batteriet (jævnstrøm). I dette tilfælde er 230 V-udgangsstikdåsen ikke jordforbundet, men sikret i kraft af beskyttelsesisoleringen.



### VIGTIGT! Fare for kortslutning!

Tænd først inverteren og derefter forbrugerne.

Vær opmærksom på følgende henvisninger ved anvendelsen af inverteren:

- Hvis batterispændingen falder under alarmværdien under driften (se „Underspændingsalarm“ i kapitlet „Tekniske data“ på side 147), lyder der en advarselstone, og lysdioden „UVP“ (fig. **1** 7, side 3) lyser.
  - Hvis batterispændingen falder under frakoblingsværdien (se „Underspændingsfrakobling“ i kapitlet „Tekniske data“ på side 147), frakobles inverteren.
  - Hvis inverteren opvarmes for meget, frakobles den, og lysdioden „OLP“ (fig. **1** 6, side 3) lyser.  
Når inverteren er kølet af, tilkobles den automatisk igen.
  - Hvis inverteren anvendes over længere tid og med stor belastning, anbefales det at starte motoren for at genoplade køretøjets batteri.
- Tilslut forbrugeren til 230 V-udgangen (fig. **1** 4, side 3).  
Der kan også tilsluttes et stikdåse-fordelersystem.

### 9.1 Anvendelse af inverteren uden fjernbetjening

- Stil hovedafbryderen (fig. **2** 1, side 3) på
  - „ON“ for at slå inverteren **til**
  - „OFF“ for at slå inverteren **fra**
- ✓ Lysdioden „POWER“ lyser, når inverteren er tændt.

## 9.2 Anvendelse af inverteren med en fjernbetjening



### BEMÆRK

Læs også betjeningsvejledningen, der er indeholdt i fjernbetjeningens leveringsomfang.

- Stil hovedafbryderen (fig. **2** 1, side 3) på „Remote“.
- Tænd eller sluk inverteren med
  - tasterne på fjernbetjeningen **eller**
  - den eksterne omskifter
- ✓ Lysdioden „POWER“ lyser, når inverteren er tændt.

## 10 Vedligeholdelse og rengøring af inverteren



### VIGTIGT!

Anvend ikke skarpe eller hårde genstande eller rengøringsmidler til rengøring, da det kan beskadige produktet.

- Rengør af og til produktet med en fugtig klud.



## 11 Udbedring af fejl

Fejl	Årsag	Udbedring
Ingen udgangsspænding	Ingen kontakt til batteriet	Kontrollér kontakt og kabel. Slå evt. tændingen til.
	Termisk overbelastning	Sluk forbrugeren. Lad inverteren afkøle, og sørg for bedre ventilation. Reducér evt. den konstante belastning.
	Indgangsspænding for høj	Kontrollér indgangsspændingen på inverteren, og sammenlign den med de tekniske data for inverteren.
	Sikring defekt (i inverteren eller i køretøjet)	Udskift sikringen med en sikring med den samme specifikation.
	Apparat defekt	Udskift apparat.
Apparatet kobler cyklisk til/ fra	Konstant belastning for høj	Reducér belastningen.
Når forbrugerne tilkobles, frakobles inverteren	Indkoblingsstrøm for høj	Sammenlign effekten for forbrugerne med inverterens maks. effekt.
For lav udgangsspænding	Batterispænding mindre end frakoblingsværdien (se „Underspændingsfrakobling“ i kapitlet „Tekniske data“ på side 147)	Oplad batteriet (start motoren).



### BEMÆRK

Udgangsspændingen kan kun måles korrekt med et True RMS-måleapparat.

## 12 Garanti

Den lovbestemte garantiperiode gælder. Hvis produktet er defekt, skal du kontakte producentens afdeling i dit land (adresser, se vejledningens bagside) eller din forhandler.

Ved reparation eller krav om garanti skal du medsende følgende bilag:

- En kopi af regningen med købsdato
- En reklamationsgrund eller en fejlbeskrivelse

## 13 Bortskaffelse

► Bortskaf så vidt muligt emballagen sammen med det tilsvarende genbrugsaffald.



Hvis du tager produktet endegyldigt ud af drift, skal du kontakte det nærmeste recyclingcenter eller din faghandel for at få de pågældende forskrifter om bortskaffelse.


## 14 Tekniske data



### BEMÆRK

Ved udenomstemperaturer, der er højere end 40 °C (f.eks. i motor- eller fyringsrum, direkte sol), reduceres den konstante effekt, der er nævnt i de tekniske data.

Følgende tekniske data gælder for alle invertere:

	<b>PP1002 PP2002</b>	<b>PP1004 PP2004</b>
Udgangsspænding:	230 V $\sqrt{r^L}$	
Udgangsfrekvens:	50 Hz $\pm$ 2 Hz	
Tomgangsstrømforbrug:	< 1,5 A	< 1,5 A
Virkningsgrad ved konstant belastning:	> 85 %	
Indgangsspændingsområde:	11 – 15 V $\equiv$	22 – 30 V $\equiv$
Net-indgangsspænding:	230 V $\sim$	
Underspændingsalarm:	11 V	22 V
Underspændingsfrakobling:	10,5 V	21 V
Underspændingsgentilkobling:	12,2 V	24,4 V
Overspændingsfrakobling:	15,5 V	30,5 V
Overbelastningsfrakobling:	130 %	
Overtemperaturfrakobling:	80 °C	
Sikring prioritetskobling:	10 A	
Omgivelsestemperatur		
– Opbevaring:	–30 °C – +70 °C	
– Drift:	0 °C – +40 °C	
Luftfugtighed		
– Opbevaring:	20 % – 90 °C	
– Drift:	10 % – 95 %	
Godkendelse/certifikat:		

	<b>PP1002</b>	<b>PP1004</b>
Konstant udgangseffekt:	1000 W	
Maks. udgangseffekt:	2000 W	
DC-sikring:	30 A x 4	15 A x 4
Mål B x L x H:	176 x 338 x 95 mm	
Vægt:	3,5 kg	

	<b>PP2002</b>	<b>PP2004</b>
Konstant udgangseffekt:	2000 W	
Maks. udgangseffekt:	4000 W	
DC-sikring:	30 A x 8	15 A x 8
Mål B x L x H:	176 x 443 x 95 mm	
Vægt:	5 kg	

**Läs igenom anvisningarna noga innan produkten monteras och används. Spara monterings- och bruksanvisningen för senare bruk. Överlämna bruksanvisningen till den nya ägaren vid ev. vidareförsäljning.**

## Innehållsförteckning

1	Förklaring till symboler .....	150
2	Allmänna säkerhetsanvisningar .....	150
3	Leveransomfattning. ....	151
4	Tillbehör .....	152
5	Målgrupp.....	152
6	Ändamålsenlig användning .....	152
7	Teknisk beskrivning. ....	153
8	Montera och ansluta växelriktaren .....	155
9	Använda växelriktaren. ....	160
10	Skötsel och rengöring av växelriktaren .....	161
11	Felsökning .....	162
12	Garanti .....	163
13	Avfallshantering. ....	163
14	Tekniska data .....	164

# 1 Förklaring till symboler

**VARNING!**

**Observera:** Beaktas anvisningen ej kan det leda till dödsfara eller svåra skador.

**OBSERVERA!**

Om anvisningarna inte beaktas kan det leda till materialskador och produktens funktion kan påverkas negativt.

**ANVISNING**

Kompletterande information om användning av produkten.

## 2 Allmänna säkerhetsanvisningar

Tillverkaren övertar inget ansvar för skador i följande fall:

- monterings- eller anslutningsfel
- skador på produkten, orsakade av mekanisk påverkan eller överspänning
- ändringar som utförts utan uttryckligt medgivande från tillverkaren
- ej ändamålsenlig användning

### 2.1 Allmän säkerhet

**VARNING!**

- Använd endast apparaten för angivna ändamål.
- Underhåll och reparation får endast genomföras av härför utbildad personal, som är förtrogen med de förbundna farorna och de gällande föreskrifterna.
- Personer (och barn), som på grund av fysiska, sensoriska eller mentala funktionshinder eller på grund av oerfarenhet eller ovetande inte kan använda produkten på ett säkert sätt, bör inte använda denna produkt utan uppsikt eller hjälp av en ansvarig person.
- **Elapparater är inga leksaker!**  
Förvara och använd apparaten utom räckhåll för barn.

## 2.2 Säkerhet vid installation av apparaten



### WARNING!

- Apparaten får endast installeras av auktoriserade verkstäder som har kännedom om gällande direktiv/föreskrifter och säkerhetsåtgärder.
- Felaktigt installerade elapparater kan leda till korrosionsskador på båten. En behörig (båt-)elektriker bör installera apparaten.

## 2.3 Säkerhet under drift



### WARNING!

Beakta nedanstående grundläggande säkerhetsanvisningar för elapparater, på så sätt undviks:

- elstötar
  - brand
  - personskador
- Använd endast apparaten när apparathöljet och kablarna är oskadade.
  - Se till att apparatens ventilationsöppningar inte täcks över.
  - Se till att apparaten har god ventilation. Växelriktaren alstrar förlustvärme som måste avledas.
  - Stäng alltid av strömförsörjningen innan arbeten utförs på apparaten.

## 3 Leveransomfattning

Mängd	Beteckning
1	växelriktare
1	230 V-anslutningskabel
4	monteringshållare
1	monteringsplatta
2	kabelsko
1	bruksanvisning

## 4 Tillbehör

Följande tillbehör finns tillgängligt (ingår inte i leveransen):

Beteckning	Artikel-nr
Fjärrkontroll MCR9	9600000091

Vid frågor om tillbehör, kontakta din servicepartner.

## 5 Målgrupp

Informationen i kapitel "Ansluta växelriktaren" på sidan 156 riktar sig endast till behörigt fackfolk som har kännedom om relevanta VDE-standarder/-direktiv.

Alla andra kapitel riktar sig även till ägaren/användaren av apparaten.

## 6 Ändamålsenlig användning



### **VARNING!**

Växelriktaren får inte användas till fordon där batteriets positiva pol är kopplad till chassit.

Växelriktarna PP1002, PP1004, PP2002 och PP2004 används för anslutning av 230 V-förbrukare till en 12 V- eller 24 V-spänningskälla:

- **12 V:** PP1002 och PP2002
- **24 V:** PP1004 och PP2004

Växelriktarna är avsedda för användning i husbilar, nyttofordon samt motor- och segelbåtar.



## 7 Teknisk beskrivning

Växelriktaren PP1000 och PP2000 består av 2 funktionsenheter:

- Växelriktarfunktion: generering av 230 V-växelspänning från en batterispänning på
  - **12 V:** PP1002 och PP2002
  - **24 V:** PP1004 och PP2004
- Prioritetskoppling för nät drift: automatisk omkoppling mellan extern 230 V-nätspänning (t.ex. på campingplatsen) och 230 V-spänningen som genereras från ett batteri.

Den externa nätspänningen har prioritet: när det inte finns någon extern spänningskälla frånkopplas utgången från den externa spänningskällan och ansluts till växelriktarens spänningskrets. På så sätt säkerställs det att det alltid finns 230 V-spänning i utgången.

Från inverterläge till fast elnät:

omställningen från inverterläget, då 230 Volts växelspänning genereras från batterispänning, till det fasta elnätet sker med fördröjning.

När kontakten ansluts till det externa uttaget (campingplats, hamn) stängs växelriktaren av med ca 4 sekunders fördröjning. Efter ytterligare 2 s kopplas den externa spänningen in till förbrukarna. Därigenom kan de anslutna apparaterna stängas av ordentligt.

Från fast elnät till inverterläge:

omställningen från fast elnät till inverterläge sker också med fördröjning.

När den externa spänningskällan kopplas bort (avbryts) startar växelriktaren efter 2 sekunder.



### **OBSERVERA!**

Anslutna apparater ska helst vara avstängda vid omställningen. Eftersom de inte får någon spänning under 2 s kan det hända att de måste slås på igen.

Växelriktaren har ett termiskt och ett elektriskt överbelastningskydd samt ett under- och överspänningskydd. Växelriktaren stängs av:

- när temperaturen inne i växelriktaren blir för hög
- när belastningen överskrider effektvärdena som anges under Tekniska data
- när ingångsspänningen är för låg eller för hög

Växelriktaren kan anslutas till enskilda förbrukare, eller till ett fördelningssystem om man behöver ett 230 V-elsystem med flera uttag.

Apparaten har galvanisk frångiljning vid leveransen. För säker användning med flera förbrukare är det nödvändigt att en jordfelsbrytare installeras i förgreningskretsen och att jordbryggan är ansluten i växelriktaren.



### ANVISNING

Beakta att eldrivna apparater (t.ex. bormaskiner, kylskåp etc) ofta har större effektbehov än vad som anges på typskylten under startfasen.

Växelriktaren kan slås på manuellt eller med en fjärrkontroll.

Kylningsprocessen sker via en fläkt med lastberoende fläktaglering.

## 7.1 Reglage, detaljer



### ANVISNING

På bilden visas versionen för Kontinentaleuropa.

### Framsida (bild **1**, sida 3)

Nr	Beskrivning
1	<b>Grid:</b> lysdioden lyser när växelriktaren försörjs från en extern 230 V-spänningskälla; prioritetskopplingen är aktiverad.
2	Anslutning för extern 230 V-spänningsförsörjning
3	Circuit Breaker: säkring
4	230 V~ -utgång
5	<b>POWER:</b> lysdioden lyser när växelriktaren är påslagen.
6	<b>OLP:</b> lysdioden lyser när de anslutna förbrukarna tar upp för mycket ström.
7	<b>UVP:</b> lysdioden lyser när batterikapaciteten är för låg.
8	<b>OVV:</b> lysdioden lyser när ingångsspänningen är för hög.

**Baksida (bild 2, sida 3)**

Nr	Beskrivning
1	Huvudbrytare
2	Anslutning fjärrkontroll MCR9
3	Anslutning för extern brytare (brytkontakt)
4	Jordanslutning
5	Fläkt
6	Minusanslutning
7	Plusanslutning

## 8 Montera och ansluta växelriktaren

### 8.1 Fastsättning av växelriktaren

**VARNING!**

- Se till att apparaten står säkert och stabilt!  
Apparaten måste ställas upp och fästas så att
  - den inte kan välta eller falla ned
  - den inte kan ka sättas i rörelse under körning
- Placera apparaten så att den är oåtkomlig för barn. Det kan uppstå farliga situationer som barn är ovetande om!

Växelriktaren kan sättas fast med medföljande hållare.

Beakta följande anvisningar vid val av monteringsplats:

- Använd **inte** apparaten
  - i fuktiga/blöta omgivningar
  - dammiga omgivningar
  - omgivningar där det finns antändligt material
  - explosionsfarliga omgivningar
- Utsätt inte apparaten för värme (direkt solljus, värmeelement etc). Se till att apparaten inte värms upp utifrån.
- Beakta kabellängden och välj en monteringsplats nära förbrukarbatteriet.

- Välj en väl ventilerad monteringsplats.  
Vid installation i slutna utrymmen måste man se till att det finns god ventilation (till- och avluft).
- Luftöppningarna på växelriktarens kortsidor får inte täckas över.
- Välj en jämn och stabil monteringsyta.

Sätt fast växelriktaren enligt nedanstående (bild **5**, sida 4):

**OBSERVERA!**

Innan borringar görs: kontrollera att inga elkablar eller andra delar kan skadas genom borring, sågning eller filning.

- Kläm fast vardera två hållare på den nedre staven till höger och vänster. Hållarna kan sedan förskjutas.
- Skruva fast växelriktaren: skruva in skruvarna i hållarnas borrhål.

## 8.2 Ansluta växelriktaren

**VARNING!**

Växelriktaren får endast anslutas av behöriga installatörer. Informationen nedan riktar sig till installatörer som har kännedom om gällande direktiv/föreskrifter och säkerhetsåtgärder.

Beakta följande säkerhetsanvisningar vid elanslutningen:

**OBSERVERA! Risk för kortslutning!**

- Vid arbeten på fordon måste först jordanslutningen till förbrukarbatteriet kopplas ifrån.
- Koppla ifrån den externa 230 V-försörjningen på husbilen.
- Använd tomma rör eller kabelgenomföringar om kablarna ska dras genom plåtväggar eller andra väggar med vassa kanter.
- Lägg inte kablarna löst eller med skarpa böjar på elektriskt ledande material (metall).
- Fäst kablarna ordentligt.
- Dra inte i kablarna.
- Lägg inte 230 V-nätkabeln och 12/24 V-likströmskabeln i samma kabelkanal (tomt rör).
- Dra kablarna så att man inte kan snubbla över dem och så att de inte kan skadas.

**VARNING! Risk för elektriska stötar – livsfara!**

Om flera än en förbrukare ska anslutas till växelriktaren och en förgreningskrets ska installeras för detta, måste en jordfelsbrytare (FI) installeras och jordbryggan i växelriktaren måste ställas in, se kapitel "Ansluta flera förbrukare" på sidan 158.

**Jorda växelriktaren**

- Koppla växelriktarens jordanslutning (bild **2** 4, sida 3) mot fordonets jord.

**Ansluta växelriktaren till batteriet****ANVISNING**

Tänk på att all data försvinner ur alla flyktiga minnen när batteriet kopplas bort.

**OBSERVERA!**

Beakta att polerna ansluts rätt. Om batteriets poler ansluts fel kan apparaten skadas.

- Anslut den röda batterianslutningskabelns anslutningsklämma till plusanslutningen (bild **2** 7, sida 3) på växelriktaren.
- Anslut den svarta batterianslutningskabelns anslutningsklämma till minusanslutningen (bild **2** 6, sida 3) på växelriktaren.
- Kontrollera att anslutningarna är säkra och har god kontakt. Eventuellt måste skruvarna senare dras åt ytterligare.

**ANVISNING**

Uppladdningen av de interna kondensatorerna kan leda till gnistbildning vid anslutningen.

- Anslut den röda batterianslutningskabeln till batteriets pluspol.
- Anslut den svarta batterianslutningskabeln till batteriets minuspol.

**Anslutning av växelriktaren till 230 V-växelström**

- Anslut 230 V-anslutningskabeln till anslutningen för 230 V-spänningskällan på växelriktaren (bild **1** 2, sida 3).
- Anslut 230 V-anslutningskabeln till ett 230 V-uttag i fordonet.

### Ansluta fjärrkontrollen till växelriktaren

- Stäng av växelriktaren (om den är påslagen).
- Anslut fjärrkontrollens kabelände till anslutningen (bild **2** 2, sida 3).
- Ställ huvudbrytaren (bild **2** 1, sida 3) på "remote".

### Ansluta en extern brytare (brytkontakt) till växelriktaren

- Stäng av växelriktaren (om den är påslagen).
- Anslut den externa brytaren (brytkontakten, spänningsförsörjning från växelriktaren) till remote-uttaget (bild **2** 3, sida 3) enligt illustrationen (bild **3**, sida 3).
- Ställ huvudbrytaren (bild **2** 1, sida 3) på "remote".



#### ANVISNING

Om en extern brytare (brytkontakt) med egen spänningsförsörjning, t.ex. tändlåset, används måste ett passande relä installeras.

## 8.3 Ansluta flera förbrukare



#### VARNING! Risk för elektriska stötar – livsfara!

Om flera än en förbrukare ska anslutas till växelriktaren och en förgreningskrets ska installeras för detta, måste en jordfelsbrytare (FI) installeras och jordbygeln i växelriktaren måste ställas in. Jordbyggen får endast anslutas av behörigt fackfolk som har kännedom om alla relevanta VDE-standarder/-direktiv.

Apparaten har galvanisk frånskiljning vid leveransen. För säker användning med flera förbrukare är det nödvändigt att en jordfelsbrytare installeras i förgreningskretsen, se exemplet på kopplingsschema på bild **6**, sida 5.

Teckenförklaring för kopplingsschemat (exempel):

Pos. på bild <b>6</b> , sida 5	Förklaring
1	230 V~ -spänningskälla
2	Övriga apaprater, t.ex. batteriladdare, kylskåp
3	DC-spänningskälla (batteri)
4	Växelriktare
5	Jordbrygga inställd (vid leveransen: ej inställd, streckade linjer)
6	Jordfelsbrytare (FI)
7	Förgreningskrets för förbrukare

- Installera en jordfelsbrytare i förgreningskretsen.

### Ställa in jordbryggan (bild **4**, sida 4)



#### **WARNING! Risk för elektriska stötar – livsfara!**

Jordbryggan får endast anslutas av behörigt fackfolk som har kännedom om alla relevanta VDE-standarder/-direktiv.



#### **ANVISNING**

Vid leveransen är kontakten för jordbryggan alltid ansluten på insticksplats "FG" (isolerad växelspanning).

- Skruva ut de fyra övre fästskruvarna (**2**) på apparatens kortsidor med en insexnyckeln.
- Ta bort locket (**1**).



#### **OBSERVERA!**

Jordbryggan får endast flyttas mellan insticksplatserna "FG" och "N + FG". Ändra inte några andra insticksplatser – apparaten kan skadas.

- Dra bort kontakten (**3**) från insticksplats "FG" (**4**).
- Anslut kontakten till (**3**) till insticksplats "N + FG" (**5**).
- Sätt fast locket på apparaten igen (**1**) och fäst det med skruvarna (**2**).

## 9 Använda växelriktaren



### OBSERVERA!

**Om det inte finns någon jordfelsbrytare:** när växelriktaren är ansluten till extern nätspänning är 230 V-utgången jordad. När det inte finns någon extern nätspänning är växelriktaren endast kopplad till batteriet (likström). Då är utgången för 230 V inte jordad, utan säkras genom skyddsisoleringen.



### OBSERVERA! Risk för kortslutning!

Slå först på växelriktaren och därefter förbrukarna.

Beakta följande anvisningar vid användning av växelriktaren:

- Om batterispänningen sjunker under larmgränsvärdet under drift (se "Underspanningslarm", kapitel "Tekniska data" på sidan 164), ljuder en varningssignal och lysdioden "UVP" (bild **1** 7, sida 3) lyser.
  - Om batterispänningen sjunker under avstängningsvärdet (se "Avstängning vid underspanning", kapitel "Tekniska data" på sidan 164), stängs växelriktaren av.
  - Växelriktaren stängs även av om den blir för varm – den röda lysdioden "OLP" (bild **1** 6, sida 3) lyser.  
När växelriktaren har svalnat startar den automatiskt igen.
  - Om växelriktaren ska användas under längre tid med maximal belastning bör motorn startas så att fordonets batteri laddas.
- Anslut förbrukarna till 230 V-utgången (bild **1** 4, sida 3).  
Det går även att ansluta ett fördelningssystem.

### 9.1 Använda växelriktaren utan fjärrkontroll

- Ställ huvudbrytaren (bild **2** 1, sida 3) på
  - "ON" för att slå **på** växelriktaren
  - "OFF" för att stänga **av** växelriktaren
- ✓ Lysdioden "POWER" lyser när växelriktaren är påslagen.



## 9.2 Använda växelriktaren med fjärrkontroll



### ANVISNING

Beakta även bruksanvisningen som medföljer fjärrkontrollen.

- Ställ huvudbrytaren (bild **2** 1, sida 3) på "Remote".
- Slå på och stäng av växelriktaren
  - med knapparna på fjärrkontrollen **eller**
  - extern brytare (brytkontakt)
- ✓ Lysdioden "POWER" lyser när växelriktaren är påslagen.

## 10 Skötsel och rengöring av växelriktaren



### OBSERVERA!

Använd inga vassa eller hårda föremål för rengöring, använd inga skarpa rengöringsmedel; produkten kan skadas.

- Rengör produkten då och då med en fuktig trasa.

## 11 Felsökning

Fel	Orsak	Åtgärd
Ingen utgångsspänning	Ingen kontakt till batteriet	Kontrollera kontakten och kabeln. Slå ev. på tändningen.
	Termisk överbelastning	Stäng av förbrukare. Låt växelriktaren svalna och se till att den får bättre ventilation. Sänk ev. den konstanta belastningen.
	För hög ingångsspänning	Kontrollera ingångsspänningen på växelriktaren och jämför värdet med växelriktarens tekniska data.
	Säkring defekt (i växelriktaren eller fordonet)	Byt ut säkringen mot en säkring med samma specifikation.
	Apparaten defekt	Byt ut apparaten.
Apparaten slås cyklistiskt på/av	För hög konstant belastning	Reducera belastningen.
När förbrukarna slås på stängs växelriktaren av	Inkopplingsströmmen är för hög	Jämför förbrukarnas effektvärde med växelriktarens max effekt.
För låg utgångsspänning	Batterispänningen ligger under värdet för avstängning (se "Avstängning vid under-spänning, kapitel "Tekniska data" på sidan 164)	Ladda batteriet (starta motorn).



### ANVISNING

Utgångsspänningen kan endast mätas korrekt med ett True-RMS-mätinstrument.

## 12 Garanti

Den lagstadgade garantitiden gäller. Om produkten är defekt: kontakta tillverkarens kontor i ditt land (adresser, se bruksanvisningens baksida) eller återförsäljaren.

Vid reparations- resp. garantiärenden ska följande skickas med:

- en kopia på fakturan med inköpsdatum,
- en reklambeskrivning/felbeskrivning.

## 13 Avfallshantering

- Lämna om möjligt förpackningsmaterialet till återvinning.



När produkten slutgiltigt tas ur bruk: informera dig om gällande bestämmelser hos närmaste återvinningscentral eller hos återförsäljaren.

## 14 Tekniska data



### ANVISNING

Om omgivningstemperaturen är högre än 40 °C (t.ex. i motor-/ maskinrum eller pannrum, direkt solljus), minskar den konstanta effekten som anges under Tekniska data.

Följande tekniska data gäller för alla växelriktare:

	<b>PP1002 PP2002</b>	<b>PP1004 PP2004</b>
Utgångsspänning:	230 V $\sqrt{2}$	
Utgångsfrekvens:	50 Hz $\pm$ 2 Hz	
Strömförbrukning, tomgång:	< 1,5 A	< 1,5 A
Verkningsgrad vid konstant belastning:	> 85 %	
Inspänningsområde:	11 – 15 V $\equiv$	22 – 30 V $\equiv$
Ingångsspänning, elnät:	230 V $\sim$	
Underspänningslarm:	11 V	22 V
Avstängning vid underspänning:	10,5 V	21 V
Återinkoppling vid underspänning:	12,2 V	24,4 V
Avstängning vid överspänning:	15,5 V	30,5 V
Avstängning vid överbelastning:	130 %	
Avstängning vid övertemperatur:	80 °C	
Säkring prioritetskoppling:	10 A	
Omgivningstemperatur		
– förvaring:	–30 °C – +70 °C	
– drift:	0 °C – +40 °C	
Luftfuktighet		
– förvaring:	20 % – 90 %	
– drift:	10 % – 95 %	
Provning/certifikat:		

	<b>PP1002</b>	<b>PP1004</b>
Kontinuerlig uteffekt:	1000 W	
Högsta uteffekt:	2000 W	
DC-säkring:	30 A x 4	15 A x 4
Mått B x L x H:	176 x 338 x 95 mm	
Vikt:	3,5 kg	

	<b>PP2002</b>	<b>PP2004</b>
Kontinuerlig uteffekt:	2000 W	
Högsta uteffekt:	4000 W	
DC-säkring:	30 A x 8	15 A x 8
Mått B x L x H:	176 x 443 x 95 mm	
Vikt:	5 kg	

**Les bruksanvisningen nøye før du monterer og tar apparatet i bruk, og ta vare på den. Hvis produktet selges videre, må du sørge for å gi bruksanvisningen videre også.**

## Innhold

1	Symbolforklaringer . . . . .	167
2	Generelle sikkerhetsregler . . . . .	167
3	Leveringsomfang . . . . .	168
4	Tilbehør . . . . .	169
5	Målgruppen for denne veiledningen . . . . .	169
6	Tiltenkt bruk . . . . .	169
7	Teknisk beskrivelse . . . . .	170
8	Feste og koble til vekselretteren . . . . .	172
9	Bruk av vekselretteren . . . . .	177
10	Stell og rengjøring av vekselretteren . . . . .	178
11	Feilsøking . . . . .	179
12	Garanti . . . . .	180
13	Deponering . . . . .	180
14	Tekniske data . . . . .	181

# 1 Symbolforklaringer

**ADVARSEL!**

**Sikkerhetsregel:** Hvis man ikke overholder denne regelen, kan det føre til død eller alvorlig skade.

**PASS PÅ!**

Hvis man ikke overholder denne regelen, kan det føre til materielle skader og skade funksjonen til produktet.

**MERK**

Utfyllende informasjon om bruk av produktet.

## 2 Generelle sikkerhetsregler

Produsenten tar i følgende tilfeller intet ansvar for skader:

- Montasje- eller tilkoblingsfeil
- Skader på produktet på grunn av mekanisk påvirkning og overspenninger
- Endringer på produktet uten at det er gitt uttrykkelig godkjenning av produsenten
- Bruk til andre formål enn det som er beskrevet i veiledningen

### 2.1 Generell sikkerhet

**ADVARSEL!**

- Bruk apparatet kun til tiltenkt formål.
- Vedlikehold og reparasjoner må kun utføres av fagfolk, som er kjent med farene hhv. gjeldende forskrifter.
- Personer (inklusive barn) som på grunn av sine fysiske, sensoriske eller mentale ferdigheter eller på grunn av sin uerfarenhet eller manglende kjennskap ikke er i stand til å bruke produktet på en sikker måte, må ikke bruke dette produktet uten oppsyn eller anvisning fra en ansvarlig person.
- **Elektriske apparater er ikke noe leketøy for barn!**  
Oppbevar og bruk apparatet utenfor barns rekkevidde.

## 2.2 Sikkerhet ved installasjon av apparatet



### ADVARSEL!

- Installasjonen av apparatet må kun utføres av utdannet fagfolk, som kjenner retningslinjene og sikkerhetsforanstaltningene som må brukes.
- Hvis elektriske apparater installeres feil på skip, kan det føre til korrosjonsskader på skipet. Installasjon av apparatet skal utføres av fagfolk (skipselektrikere).

## 2.3 Sikkerhet ved bruk av apparatet



### ADVARSEL!

Overhold følgende grunnleggende sikkerhetsregler ved bruk av elektriske apparater for å beskytte mot:

- Elektrisk støt
  - Brannfare
  - Skader
- Bruk apparatet kun når kapslingen og ledningene er uskadd.
  - Pass på at lufteåpningene på apparatet ikke blir blokkert.
  - Pass på at du har god lufting. Vekselretteren avgir varme som må ledes bort.
  - Ved arbeid på apparatet må man alltid avbryte strømforsyningen.

## 3 Leveringsomfang

Antall	Betegnelse
1	Vekselretter
1	230 V tilkoblingskabel
4	Montasjeholdere
1	Montasjeplate
2	Kabelsko
1	Bruksanvisning



## 4 Tilbehør

Tilgjengelig som tilbehør (ikke inkludert i leveringsomfanget):

Betegnelse	Artikkelnr.
Fjernkontroll MCR9	9600000091

Ved spørsmål om tilbehør, må du henvende deg til din servicepartner.

## 5 Målgruppen for denne veiledningen

kapittel «Koble til vekselretteren» på side 173 henvender seg kun til fagfolk som kjenner de tilhørende VDE-retningslinjene.

Alle de andre kapitlene henvender seg også til de som bruker apparatet.

## 6 Tiltent bruk



### ADVARSEL!

Vekselretteren må ikke brukes på kjøretøyer hvor plusspolen til batteriet er koblet til sjassiet.

Vekselretterne PP1002, PP1004, PP2002 og PP2004 brukes til spenningsforsyning av 230 V forbrukere på en 12 V eller 24 V spenningsforsyning:

- **12 V:** PP1002 og PP2002
- **24 V:** PP1004 og PP2004

Vekselretterne er egnet for bruk i bobiler, nyttekjøretøy, samt motor- og seilyachter.

## 7 Teknisk beskrivelse

Vekselretterne PP1000 og PP2000 består av to funksjonsenheter:

- Vekselretter-kobling: genererer en 230 V vekselspenning fra en batterispenning på
  - **12 V:** PP1002 og PP2002
  - **24 V:** PP1004 og PP2004
- Nett-prioritetskobling: Kobler automatisk mellom 230 V fremmed-nettspenning (f. eks. fra campingplassen) og 230 V spenning generert fra batteriet.

Fremmed-nettspenningen har prioritet: Kun når det ikke lenger finnes noen ekstern spenning, skilles utgangsstikkkontakten fra den eksterne spenningskretsen og kobles til spenningskretsen til vekselretteren. Dermed er man sikret at det alltid er 230 V spenning på utgangsstikkkontakten.

Fra inverterdriften til landstrømforsyningen:

Omkoblingen fra inverterdriften, hvor 230 Volt-vekselspenningen produseres fra batterispenning, til landstrømforsyningen skjer forsinket.

Inverteren kobles ut etter en forsinkelsesstid på ca. 4 s ved å plugge støpslet inn i den utvendige stikkkontakten (campingplass, havn). Etter ytterligere 2 s gjennomkobles landstrømmen. På denne måten får de tilkoblede apparatene tid til ren utkobling.

Fra landstrømmen til inverterdriften:

Omkoblingen fra landstrømmen til inverterdriften er likeledes plaget med en forsinkelse.

Hvis landstrømmen faller ut, kobler inverteren seg inn etter 2 sekunder.



### **PASS PÅ!**

Tilkoblede apparater skal være avslått ved omkoblingen. Da de ikke får noen spenning på 2 s, må de eventuelt kobles inn igjen.

Vekselretteren er utstyrt med en termisk og en elektrisk overbelastningsbeskyttelse, og en under- og overspenningsbeskyttelse. Vekselretteren kobles ut:

- Når den innvendige temperaturen til vekselretteren er for høy
- Når belastningen overstiger effektverdiene som er står oppført i de Tekniske spesifikasjonene
- Når inngangsspenningen er for lav eller høy

En enkelt forbruker kan kobles til vekselretteren eller et stikkontakt-fordelersystem for å realisere en 230 V strømforsyning med flere stikkontakter.

Ved levering er apparatet utstyrt med galvanisk skille. For sikker drift av flere forbrukere er det absolutt nødvendig at det monteres inn en jordfeilbryter i stikkontaktfordelerkursen og at jordingsbroen monteres inn i vekselretteren.



### MERK

Ved tilkobling av apparater med elektrisk starter (f.eks. bormaskiner, kjøleskap osv.) må man være oppmerksom på at disse trenger en høyere effekt for å starte enn det som er angitt på typeskiltet.

Vekselretteren kan innkobles manuelt eller med en fjernkontroll.

Kjølingen skjer via en lastavhengig styrt vifte.

## 7.1 Betjeningselementer



### MERK

Illustrasjonen viser versjonen for det europeiske kontinentet.

Sett forfra (fig. 1, side 3)

Nr.	Beskrivelse
1	<b>Grid:</b> Denne lysdioden lyser når vekselretteren forsynes via en ekstern 230 V nettspenning; prioritetskoblingen er aktiv.
2	Tilkobling for ekstern 230 V spenningsforsyning
3	Circuit Breaker: Sikring
4	230 V~ utgang
5	<b>POWER:</b> Denne lysdioden tennes når vekselretteren er påslått.
6	<b>OLP:</b> Denne lysdioden tennes når de tilkoblede forbrukerne bruker for mye strøm.
7	<b>UVP:</b> Denne lysdioden lyser når batterikapasiteten er for lav.
8	<b>OVP:</b> Denne lysdioden lyser når inngangsspenningen er for høy.

**Sett bakfra (fig. 2, side 3)**

Nr.	Beskrivelse
1	Hovedbryter
2	Tilkobling fjernkontroll MCR9
3	Tilkobling for ekstern bryter
4	Jordtilkobling
5	Vifte
6	Minusklemme
7	Plussklemme

## 8 Feste og koble til vekselretteren

### 8.1 Feste vekselretteren

**ADVARSEL!**

- Påse at apparatet står sikkert!  
Sett apparatet stødig, og fest det slik at
  - det ikke kan velte eller falle ned
  - det ikke kan bevege seg under kjøring
- Sikre apparatet slik at barn ikke har tilgang til det. Det kan oppstå farer som barn ikke kan håndtere!

Du kan feste vekselretteren med de vedlagte holderne.

Pass på følgende ved valg av montasjested:

- Bruk **ikke** apparatet
  - på fuktige eller våte steder
  - på steder hvor det er mye støv
  - på steder hvor det er lettantennelige materialer
  - på steder hvor det er eksplosjonsfare
- Utsett ikke apparatet for varmekilder (solstråling, oppvarming osv.). Unngå ekstra oppvarming av apparatet.
- Vær oppmerksom på kabellengdene og velg et montasjested i nærheten av tilførselsbatteriet.

- Veg et montasjested med god lufting.  
Ved installasjon i lukkede rom, må man sørge for skikkelig lufting.
- Påse at luftinntaket på framsiden av vekselretteren er åpent.
- Velg et montasjested som er jevnt og som er stabilt nok.

Fest vekselretteren slik (fig. **5**, side 4):



### **PASS PÅ!**

Før du borer noe som helst, må du forsikre deg om at ingen elektriske kabler eller andre deler på kjøretøyet kan skades av boring, saging og filing.

- Klips to holdere på hhv. venstre og høyre nedre trinn.  
Holderne kan deretter forskyves etter ønske.
- Skru fast vekselretteren ved å skru en skrue gjennom boringene i holderne.

## **8.2 Koble til vekselretteren**



### **ADVARSEL!**

Tilkobling av vekselretteren må kun gjøres av fagfolk.  
Den følgende informasjonen er beregnet på fagfolk som er kjent med retningslinjene og sikkerhetsforanstaltningene som gjelder.

Følg disse sikkerhetsreglene ved elektrisk tilkobling:



### **PASS PÅ! Kortslutningsfare**

- Ved arbeid på kjøretøyet må alltid først jord-forbindelsen til tilførselsbatteriet kobles fra.
- Koble fra 230 V eksterne tilførselen på bobilen.
- Hvis du må føre ledninger gjennom platevegger eller andre vegger med skarpe kanter, bruker du tomme rør eller ledningsgjennomføringer.
- Ikke legg ledninger løst eller skarpt bøyd på materiell som leder elektrisk strøm (metall).
- Fest ledningene godt.
- Ikke trekk i ledninger.
- Ikke legg 230 V nettkabler og 12/24 V likestrømskabler sammen i den samme ledningskanalen (tomme røret).
- Legg ledningene slik at man ikke snubler i dem og slik at man unngår å skade kableen.

**ADVARSEL! Livsfare på grunn av strømstøt!**

Hvis du ønsker å koble til flere enn en forbruker til vekselretteren og i tillegg montere en stikkontaktfordelerkurs, må du ha en jordfeilbryter og koble til jord i vekselretteren, se kapittel «Koble til flere forbrukere» på side 175.

**Jord vekselretteren**

- ▶ Koble jordtilkoblingen til vekselretteren (fig. **2** 4, side 3) til jord på kjøretøyet.

**Koble vekselretteren til batteriet****MERK**

Vær oppmerksom på at ved frakobling av batteriet, mister alle flyktige minner til den tilkoblede forbrukeren de lagrede dataene.

**PASS PÅ!**

Husk riktig polaritet. Hvis pluss- og minustilkoblingen blir byttet om, kan apparatet bli skadet.

- ▶ Koble tilkoblingsklemmen til den røde batteritilkoblingskabelen til plussklemmen (fig. **2** 7, side 3) på vekselretteren.
- ▶ Koble tilkoblingsklemmen til den svarte batteritilkoblingskabelen til minusklemmen (fig. **2** 6, side 3) på vekselretteren.
- ▶ Kontroller at forbindelsene har god kontakt.  
Forskruingene må eventuelt ettertrekkes en gang til senere.

**MERK**

Ved å lade opp de interne kondensatorene kan det dannes gnister ved tilkoblingen.

- ▶ Koble rød batteritilkoblingskabel til plusspolen på batteriet.
- ▶ Koble den svarte batterikabelen til minuspolen på batteriet.

**Koble vekselretteren til 230 V nettilkoblingen**

- ▶ Plugg 230 V tilkoblingskabelen inn i tilkoblingen for 230 V spenningsforsyningen til vekselretteren (fig. **1** 2, side 3).
- ▶ Koble 230 V tilkoblingskabelen til en 230 V stikkontakt som er installert i kjøretøyet.

### Koble fjernkontrollen til vekselretteren

- Slå eventuelt av vekselretteren.
- Plugg kabelenden til fjernkontrollen inn i tilkoblingen (fig. **2** 2, side 3).
- Sett hovedbryteren (fig. **2** 1, side 3) på «Remote».

### Koble den eksterne bryteren til vekselretteren

- Slå eventuelt av vekselretteren.
- Koble den eksterne bryteren (spenningstilførsel fra vekselretteren) iht. koblings-skjemaet (fig. **3**, side 3) på Remote-Port (fig. **2** 3, side 3).
- Sett hovedbryteren (fig. **2** 1, side 3) på «Remote».



#### **MERK**

Hvis du ønsker å bruke en ekstern bryter med egen spenningsforsyning, f.eks. fra tenningen, må du mellomkoble et egnet relé.

## 8.3 Koble til flere forbrukere



#### **ADVARSEL! Livsfare på grunn av strømstøt!**

Hvis du ønsker å koble til flere enn en forbruker til vekselretteren og i tillegg montere en stikkontaktfordelerkurs, må du montere en jordfeilbryter og montere jordingsbroen i vekselretteren. Jordingsbroen må kobles til kun av fagfolk som kjenner de tilhørende VDE-retningslinjer.

Ved levering er apparatet utstyrt med galvanisk skille. For sikker drift av flere forbrukere er det absolutt nødvendig at det monteres inn en jordfeilbryter i stikkontaktfordelerkursen, se eksempel på koblingskjema i fig. **6**, side 5.

Forklaring til koblingskjemaet:

Pos. i fig. <b>6</b> , side 5 Forklaring	
1	230 V~ spenningskilde
2	Flere apparater som f. eks. batterilader, kjøleskap
3	DC-spenningskilde (batteri)
4	Vekselretter
5	Jordingsbro montert inn (leveringstilstand: ikke montert, vist stiplet)
6	Jordfeilbryter
7	Stikkontaktfordelerkurs for forbruker

- Monter en jordfeilbryter inn i stikkontaktfordelerkursen.

### Montere jordingsbro (fig. **4**, side 4)



#### **ADVARSEL! Livsfare på grunn av strømstøt!**

Jordingsbroen må kobles til kun av fagfolk som kjenner de tilhørende VDE-retningslinjer.



#### **MERK**

Ved levering er støpslet for jordingsbroen alltid pluggert på pluggplassen «FG» (isolert vekselspanning).

- Skru ut de fire øverste festeskruene (**2**) på framsiden av apparatet med en umbraconøkkel.
- Ta av dekslet (**1**).



#### **PASS PÅ!**

Jordingsbroen endres med pluggplassen «FG» og «N + FG». De andre pluggplassene må ikke endres, apparatet kan bli skadet.

- Trekk ut pluggen (**3**) fra pluggplass «FG» (**4**).
- Plugg støpslet (**3**) på pluggplass «N + FG» (**5**).
- Sett dekslet på apparatet (**1**) igjen og fest det med skruene (**2**).



## 9 Bruk av vekselretteren



### PASS PÅ!

**Hvis det ikke finnes noen beskyttelsesbryter:** Når vekselretteren er koblet til den eksterne nettspenningen, er 230 V utgangsstikk-kontakten jordet.

Når det ikke finnes noen ekstern nettspenning, er vekselretteren kun koblet til batteriet (likestrøm). I så fall er ikke utgangs-stikkkontakten for 230 V jordet, men sikret via beskyttelsesisoleringen.



### PASS PÅ! Kortslutningsfare

Slå først på vekselretteren og først deretter forbrukerne.

Pass på følgende ved bruk av vekselretteren:

- Hvis batterispenningen under drift synker under alarmverdien (se «Underspenningsalarm» i kapittel «Tekniske data» på side 181), høres et varsel signal og lysdioden «UVP» (fig. **1** 7, side 3) lyser.
  - Hvis batterispenningen synker under utkoblingsverdien (se «Underspennings-utkobling» i kapittel «Tekniske data» på side 181), kobles vekselretteren ut.
  - Ved for høy oppvarming kobler vekselretteren seg ut, og lysdioden «OLP» (fig. **1** 6, side 3) lyser.  
Etter avkjøling kobler vekselretteren seg automatisk inn igjen.
  - Når vekselretteren har vært i bruk over lengre tid og med stor belastning, lønner det seg å starte motoren for å lade opp batteriet til kjøretøyet igjen.
- Koble forbrukeren din til 230 V utgangen (fig. **1** 4, side 3).  
Du kan også koble til et stikkontakt-fordelersystem.

### 9.1 Bruke vekselretter uten fjernkontroll

- Still hovedbryteren (fig. **2** 1, side 3) på
  - «ON» for å slå **på** vekselretteren
  - «OFF» for å slå **av** vekselretteren
- ✓ Lysdioden «POWER» lyser når vekselretteren er slått på.

## 9.2 Bruke vekselretter med fjernkontroll



### MERK

Følg også bruksanvisningen som følger med leveransen av fjernkontrollen.

- Still hovedbryteren (fig. **2** 1, side 3) på «Remote».
- Slå vekselretteren på eller av med
  - tastene på fjernkontrollen **eller**
  - den eksterne bryteren
- ✓ Lysdioden «POWER» lyser når vekselretteren er slått på.

## 10 Stell og rengjøring av vekselretteren



### PASS PÅ!

Bruk ikke skarpe eller harde gjenstander eller rengjøringsmidler til rengjøring, da det kan skade produktet.

- Rengjør produktet regelmessig med en fuktig klut.

## 11 Feilsøking

Feil	Årsak	Tiltak
Ingen utgangsspenning	Ingen kontakt til batteriet	Kontroller kontakt og kabel. Slå eventuelt på tenningen.
	Termisk overbelastning	Slå av forbruker. La vekselretteren avkjøles og sørg for bedre ventilasjon. Reduser evt. den vedvarende belastningen.
	Inngangsspenning for høy	Kontroller inngangsspenning på vekselretteren, og sammenlign den med de tekniske dataene til vekselretteren.
	Sikring defekt (i vekselretteren eller i kjøretøyet)	Bytt ut sikringen med en sikring med samme spesifisering.
	Defekt apparat	Bytt apparat.
Apparatet slår seg syklisk på/av	Vedvarende belastning for høy	Reduser belastningen.
Når forbrukerne slås på, kobler vekselretteren seg ut	Innkoblingsstrøm for høy	Sammenlign effekten til forbrukerne med den maksimale effekten til vekselretteren.
For lav utgangsspenning	Batterispennning lavere enn utkoblingsverdi (se «Underspenningsutkobling» i kapittel «Tekniske data» på side 181)	Lad batteriet (start motoren).



### MERK

Utgangsspenningen kan kun måles korrekt med et True-RMS-måleapparat.

## 12 Garanti

Lovmessig garantitid gjelder. Hvis produktet skulle være defekt, kontakter du produsentens filial i ditt land (du finner adressene på baksiden av veiledningen) eller til din faghandler.

Ved henvendelser vedrørende reparasjon eller garanti, må du sende med følgende dokumentasjon:

- kopi av kvitteringen med kjøpsdato,
- årsak til reklamasjonen eller beskrivelse av feilen.

## 13 Deponering

► Lever emballasje til resirkulering så langt det er mulig.



Når du tar produktet ut av drift for siste gang, må du sørge for å få informasjon om deponeringsforskrifter hos nærmeste resirkuleringsstasjon eller hos din faghandler.


## 14 Tekniske data



### MERK

Ved omgivelsestemperaturer over 40 °C (f. eks. i motorrom eller varme rom, direkte solstråling), reduseres den permanente effekten som er angitt under tekniske spesifikasjoner.

Følgende tekniske data gjelder for alle vekselrettere:

	<b>PP1002 PP2002</b>	<b>PP1004 PP2004</b>
Utgangsspenning:	230 V <sub>~</sub> <sup>1</sup>	
Utgangsfrekvens:	50 Hz ± 2 Hz	
Tomgangsstrømforbruk:	< 1,5 A	< 1,5 A
Virkningsgrad ved permanent belastning:	> 85 %	
Inngangsspenningsområde:	11 – 15 V <sub>===</sub>	22 – 30 V <sub>===</sub>
Nett-inngangsspenning:	230 V <sub>~</sub>	
Underspenningsalarm:	11 V	22 V
Underspenningsutkobling:	10,5 V	21 V
Gjeninnkobling ved underspenning:	12,2 V	24,4 V
Utkobling ved overspenning:	15,5 V	30,5 V
Utkobling ved overbelastning:	130 %	
Utkobling ved for høy temperatur:	80 °C	
Sikring prioritetskobling:	10 A	
Omgivelsestemperatur		
– Lagring:	–30 °C – +70 °C	
– Drift:	0 °C – +40 °C	
Luftfuktighet		
– Lagring:	20 % – 90 %	
– Drift:	10 % – 95 %	
Test/Sertifikat:		

	<b>PP1002</b>	<b>PP1004</b>
Kontinuerlig utgangseffekt:	1000 W	
Topp-utgangseffekt:	2000 W	
DC-sikring:	30 A x 4	15 A x 4
Mål B x L x H:	176 x 338 x 95 mm	
Vekt:	3,5 kg	

	<b>PP2002</b>	<b>PP2004</b>
Kontinuerlig utgangseffekt:	2000 W	
Topp-utgangseffekt:	4000 W	
DC-sikring:	30 A x 8	15 A x 8
Mål B x L x H:	176 x 443 x 95 mm	
Vekt:	5 kg	

**Lue tämä ohje huolellisesti läpi ennen asennusta ja käyttöönottoa ja säilytä ohje hyvin. Jos myyt tuotteen eteenpäin, anna ohje tällöin edelleen uudelle käyttäjälle.**

## Sisällysluettelo

1	Symbolien selitys . . . . .	184
2	Yleisiä turvallisuusohjeita . . . . .	184
3	Toimituskokonaisuus. . . . .	185
4	Lisävarusteet . . . . .	186
5	Tämän käyttöohjeen kohderyhmä . . . . .	186
6	Määräysten mukainen käyttö . . . . .	186
7	Tekninen kuvaus . . . . .	187
8	Vaihtosuuntaajan kiinnitys ja liitäntä . . . . .	190
9	Vaihtosuuntaajan käyttäminen . . . . .	195
10	Vaihtosuuntaajan hoito ja puhdistus. . . . .	196
11	Vianetsintä . . . . .	197
12	Tuotevastuu . . . . .	198
13	Hävittäminen . . . . .	198
14	Tekniset tiedot. . . . .	199

# 1 Symbolien selitys

**VAROITUS!**

**Turvallisuusohje:** Huomiotta jättäminen voi aiheuttaa hengenvaaran tai vakavan loukkaantumisen.

**HUOMAUTUS!**

Huomiotta jättäminen voi johtaa materiaalivaurioihin ja haitata tuotteen toimintaa.

**OHJE**

Tuotteen käyttöä koskevia lisätietoja.

## 2 Yleisiä turvallisuusohjeita

Valmistaja ei ota mitään vastuuta vahingoista seuraavissa tapauksissa:

- asennus- tai liitännävirheet
- tuotteeseen mekaanisen vaikutuksen tai ylijännitteiden takia syntyneet vauriot
- tuotteeseen ilman valmistajan nimenomaista lupaa tehdyt muutokset
- käyttö muuhun kuin käyttöohjeessa ilmoitettuun tarkoitukseen

### 2.1 Yleinen turvallisuus

**VAROITUS!**

- Käytä laitetta ainoastaan sen käyttötarkoitukseen.
- Laitetta saa huoltaa ja korjata vain ammattimies, joka tuntee töihin liittyvät vaarat sekä vastaavat määräykset.
- Henkilöiden (mukaan lukien lapset), jotka eivät voi käyttää tuotetta turvallisesti fyysisten, sensoristen tai psyykkisten taitojensa takia, tai kokeettomuuden tai tietämättömyyden vuoksi, ei tulisi käyttää tuotetta ilman valvontaa tai vastuullisen henkilön ohjeita.
- **Sähkölaitteet eivät ole leluja!**  
Säilytä ja käytä laitetta lasten ulottumattomissa.



## 2.2 Turvallisuus laitteen asentamisen yhteydessä



### VAROITUS!

- Laitteen saa asentaa ainoastaan vastaavasti koulutettu ammattilainen, joka tuntee käytettävät direktiivit ja turvallisuusmääräykset.
- Sähkölaitteiden asentaminen väärin voi aiheuttaa veneisiin korroosio- vaurioita. Anna laitteen asentaminen asiantuntevan (vene-)sähkömie- hen tehtäväksi.

## 2.3 Laitteen käyttöturvallisuus



### VAROITUS!

Noudata seuraavia perustavia turvatoimenpiteitä käyttäessäsi sähköllä toimivia laitteita. Tämä suojelee sinua:

- sähköiskulta
  - palovaaralta
  - loukkaantumiselta
- Käytä laitetta vain, kun laitteen kotelossa ja johtimissa ei ole vaurioita.
  - Huolehdi siitä, että laitteen ilmantulo- ja -poistoaukkoja ei peitetä.
  - Huolehdi hyvästä tuuletuksesta. Vaihtosuuntaaja synnyttää lämpöä, joka täytyy johtaa pois.
  - Katkaise virransyöttö aina laitetta koskevien töiden ajaksi.

## 3 Toimituskokonaisuus

Määrä	Nimitys
1	Vaihtosuuntaaja
1	230 V-liitäntäjohto
4	Asennuspidikkeet
1	Asennuspelti
2	Kaapelikengät
1	Käyttöohje

## 4 Lisävarusteet

Saatavissa lisävarusteena (ei sisälly toimituskokonaisuuteen):

Nimitys	Tuotenro
Kaukosäädin MCR9	960000091

Jos sinulla on kysyttävää lisävarusteista, käänny huoltoliikkeesi puoleen.

## 5 Tämän käyttöohjeen kohderyhmä

kap. "Vaihtosuuntaajan liittäminen" sivulla 191 on tarkoitettu ainoastaan ammattilaisille, joille VDE-direktiivit ovat tuttuja.

Kaikki muut kappaleet on tarkoitettu laitteen käyttäjälle.

## 6 Määräysten mukainen käyttö



### **VAROITUS!**

Vaihtosuuntaajaa ei saa käyttää ajoneuvoissa, joiden akun plus-napa on yhdistetty runkoon.

Vaihtosuuntaajia PP1002, PP1004, PP2002 ja PP2004 käytetään jännitteen syöttämiseen 230 V-laitteille 12 V- tai 24 V -jännitteensyötöstä:

- **12 V:** PP1002 ja PP2002
- **24 V:** PP1004 ja PP2004

Vaihtosuuntaajat sopivat käytettäväksi asuntoautoissa, hyötyajoneuvoissa sekä moottori- ja purjeveneissä.

## 7 Tekninen kuvaus

Vaihtosuuntaajat PP1000 ja PP2000 muodostuvat kahdesta toimintoyksiköstä:

- Vaihtosuuntaajakytkentä: synnyttää 230 V-vaihtojännitteen akkujännitteestä, joka on
  - 12 V:** PP1002 ja PP2002
  - 24 V:** PP1004 ja PP2004
- Ensisijaisverkkokytkentä: suorittaa automaattisesti vaihtokytkennän ulkoisen 230 V:n verkkojännitteen (esim. leirintäalueella) ja akun luoman 230 V:n jännitteen välillä.

Ulkoinen verkkojännite on ensisijainen: Vain kun ulkoista jännitettä ei enää ole saatavilla, irrotetaan lähtöpistorasia ulkoisesta jännitepiiristä ja liitetään vaihtosuuntaajan jännitepiiriin. Siten on varmistettu, että lähtöpistorasiassa on aina saatavilla 230 V-jännite.

Invertterikäytöstä virransyöttöön kiinteästä verkosta:

Vaihtokytkentä invertterikäytöstä, jossa 230 Voltin vaihto-jännite luodaan akkujännitteestä, kiinteästä verkosta tapahtuvaan virransyöttöön tapahtuu viivästetysti.

Kun pistoke työnnetään ulkoiseen pistorasiaan (leirintäalue, satama), invertteri kytketään pois päältä n. 4 sekunnin viiveajan jälkeen. 2 sekuntia tämän jälkeen kiinteän verkon virta kytketään käyttöön. Näin liitetyille laitteille annetaan aikaa kytkeytyä siististi pois päältä.

Kiinteän verkon virransyötöstä invertterikäyttöön:

Vaihtokytkentä kiinteän verkon virransyötöstä invertterikäyttöön tapahtuu niin ikään viivästetysti.

Jos kiinteän verkon virransyöttö katkeaa, invertteri kytkeytyy 2 sekunnin kuluttua päälle.



### HUOMAUTUS!

Liitettujen laitteiden tulisi olla vaihtokytkennän aikana pois päältä. Koska ne eivät saa 2 sekuntiin jännitettä, ne täytyy mahdollisesti kytkeä uudelleen päälle.

Vaihtosuuntaaja on varustettu termisellä ja sähköisellä ylikuormitussuojalla sekä ali- ja ylijännitesuojalla. Vaihtosuuntaaja kytkeytyy pois:

- kun vaihtosuuntaajan sisäinen lämpötila on liian korkea
- kun kuormitus ylittää tehoarvot, jotka on mainittu teknisissä tiedoissa
- kun tulojännite on liian matala tai liian korkea

Vaihtosuuntaajaan voidaan liittää yksi sähkölaite tai jakorasialjärjestelmä, jonka avulla voidaan toteuttaa 230 V-ajoneuvosähköverkko.

Laitteessa on toimitushetkellä galvaaninen erottelu. Useampien sähkölaitteiden turvallisen käytön vuoksi on välttämätöntä, että jakorasiapiiriin asennetaan suojakytkin (FI-kytkin) ja että vaihtosuuntaajan maadoitusliitos asetetaan käyttöön.

**OHJE**

Huomaa moottorikäyttöisiä sähkölaitteita liittäessäsi (esim. porakone, jääkaappi jne.), että nämä tarvitsevat käynnistyäkseen usein suuremman tehon kuin mitä tyyppikilvessä ilmoitetaan.

Vaihtosuuntaaja voidaan kytkeä päälle manuaalisesti tai kaukosäätimen avulla.

Jäähdytys tapahtuu kuormitusta vastaavasti ohjautuvan tuulettimen avulla.

## 7.1 Käyttölaitteet



### OHJE

Kuvassa on nähtävissä Manner-Eurooppaan tarkoitettu versio.

### Etupuoli (kuva **1**, sivulla 3)

Nro	Kuvaus
1	<b>Grid:</b> Tämä LED palaa, kun vaihtosuuntaaja saa ulkoista 230 V-verkkojännitettä; ensisijaisuuskytkentä on aktivoitu.
2	Ulkoisen 230 V-jännitteensyötön liitântä
3	Circuit Breaker: Sulake
4	230 V~ -lähtö
5	<b>POWER:</b> Tämä LED palaa, kun vaihtosuuntaaja on kytkettynä päälle.
6	<b>OLP:</b> Tämä LED palaa, jos liitetyt sähkölaitteet ottavat liikaa virtaa.
7	<b>UVP:</b> Tämä LED palaa, kun akun lataustila on liian heikko.
8	<b>OVP:</b> Tämä LED palaa, jos tulojännite on liian korkea.

### Takapuolelta (kuva **2**, sivulla 3)

Nro	Kuvaus
1	Pääkytkin
2	MCR9-kaukosäätimen liitântä
3	Liitântä ulkoiselle kytkinkontaktille
4	Maadoitusliitântä
5	Tuuletin
6	Miinus-liitin
7	Plus-liitin

## 8 Vaihtosuuntaajan kiinnitys ja liitäntä

### 8.1 Vaihtosuuntaajan kiinnitys



#### VAROITUS!

- Ota huomioon tukeva alusta!  
Laitte täytyy sijoittaa vakaasti ja kiinnittää niin, että
  - se ei voi kaatua tai pudota
  - liikkuminen ajon aikana ei ole mahdollista
- Varmista laite siten, että lapset eivät voi päästä siihen käsiksi. Voi syntyä vaaroja, joita lapset eivät havaitse!

Voit kiinnittää vaihtosuuntaajan oheisilla pidikkeillä.

Noudata asennuspaikkaa valitessasi seuraavia ohjeita:

- Laitetta **ei** saa käyttää
  - kosteassa tai märässä ympäristössä
  - pölyisessä ympäristössä
  - leimahtavien materiaalien lähetyvillä
  - räjähdysvaarallisissa tiloissa
- Älä aseta laitetta alttiiksi millekään lämpölähteelle (auringonpaiste, lämmitys jne.). Vältä näin laitteen lisälämpenemistä.
- Huomio johtojen pituudet ja valitse asennuspaikka syöttöakun läheltä.
- Valitse hyvin tuulettuva asennuspaikka.  
Asennettaessa laite pieneen suljettuun tilaan, tässä pitää olla ilmanvaihtoaukot tulo- ja poistoilmalle.
- Huolehdi siitä, että vaihtosuuntaajan etupuolilla oleva ilmanotto pysyy vapaana.
- Valitse asennuspinta, joka on tasainen ja kestävä.

Kiinnitä vaihtosuuntaaja seuraavalla tavalla (kuva **5**, sivulla 4):



#### HUOMAUTUS!

Ennen kuin teet mitään reikiä, varmista, että poraaminen, sahaaminen tai viilaaminen ei vahingoita sähköjohtoja tai ajoneuvon muita osia.

- Napsauta aina kaksi pidikettä vasemmalle ja oikealle alakiskoon.  
Voit siirtää pidikkeitä sen jälkeen haluamallasi tavalla.
- Ruuvaa vaihtosuuntaaja kiinni ruuvaamalla aina yksi ruuvi porausten läpi pidikkeisiin.

## 8.2 Vaihtosuuntaajan liittäminen



### **VAROITUS!**

Vaihtosuuntaajan saavat liittää yksinomaan vastaavan koulutuksen omaavat ammattiliikkeet.

Seuraavat tiedot on suunnattu ammattilaisille, jotka tuntevat sovellettavat direktiivit ja turvajärjestelyt.

Huomaa seuraavat sähköliittämää koskevat ohjeet:



### **HUOMAUTUS! Oikosulkuvaara**

- Irrota aina ajoneuvoa koskevissa töissä syöttöakun maaliitäntä.
- Irrota ulkoinen 230 V:n syöttö asuntoautosta.
- Käytä putkitusta tai läpivientikappaleita, jos johtimet täytyy viedä peltiseinien tai muiden terävereunaisten seinien läpi.
- Älä aseta johtimia liian löysälle, tai teräville taitteille sähköä johtavien materiaalien (metalli) päälle.
- Kiinnitä johtimet hyvin.
- Älä kisko johtimista.
- Älä vedä 230 V:n verkkojohtoa ja 12/24 V:n tasavirtajohtinta samaan johdinkanavaan (putkitus).
- Vedä johtimet siten, että niihin ei voi kompastua ja että johdon vaurioitumisen mahdollisuus on pois suljettu.



### **VAROITUS! Sähköiskusta johtuva hengenvaara!**

Jos haluat liittää vaihtosuuntaajaan enemmän kuin yhden sähkölaitteen ja kokoat siihen pistorasiaverkon, tulee vaihtosuuntaajaan asentaa suoja-kytkin (FI-kytkin) ja maadoitusliitos, katso kap. "Useampien sähkölaitteiden liittäminen" sivulla 193.

### **Vaihtosuuntaajan maadoitus**

- Yhdistä vaihtosuuntaajan maadoitusliitäntä (kuva **2** 4, sivulla 3) ajoneuvon maahan.

## Vaihtosuuntaajan liittäminen akkuun



### OHJE

Huomaa, että kun akku irrotetaan, kaikki liitettyjen laitteiden sähköisiin muisteihin tallennetut tiedot häviävät.



### HUOMAUTUS!

Noudata oikeaa napaisuutta. Laite voi vaurioitua, jos plus- ja miinusliitännät sekoitetaan keskenään.

- Yhdistä punaisen akkuliitäntäjohdon liitin vaihtosuuntaajan plusliittimeen (kuva **2** 7, sivulla 3).
- Yhdistä mustan akkuliitäntäjohdon liitin vaihtosuuntaajan miinusliittimeen (kuva **2** 6, sivulla 3).
- Tarkasta liitäntöjen varma kontakti.  
Joskus ruuvauksia tulee kiristää vielä myöhemmin.



### OHJE

Sisäisten kondensaattorien latauksen takia liitettäessä voi ilmetä kipinöintiä.

- Yhdistä punainen akkuliitäntäjohto akun plus-napaan.
- Yhdistä musta akkuliitäntäjohto akun miinus-napaan.

## Vaihtosuuntaajan liittäminen 230 V:n verkkoliitäntään

- Työnnä 230 V-liitäntäjohto vaihtosuuntaajan 230 V-jännitteensyöttöliitäntään (kuva **1** 2, sivulla 3).
- Yhdistä 230 V-liitäntäjohto ajoneuvoon asennettuun 230 V-pistorasiaan.

## Kaukosäätimen liittäminen vaihtosuuntaajaan

- Sammuta vaihtosuuntaaja tarvittaessa.
- Työnnä kaukosäätimen johdon pää liittimeen (kuva **2** 2, sivulla 3).
- Aseta pääkytkin (kuva **2** 1, sivulla 3) asentoon "Remote".



## Ulkoisen kytkinkontaktin liittäminen vaihtosuuntaajaan

- Sammuta vaihtosuuntaaja tarvittaessa.
- Liitä erillinen kytkinkontakti (jännitesyöttö vaihtosuuntaajasta) kytkentäkuvan mukaan (kuva **3**, sivulla 3) Remote-porttiin (kuva **2** 3, sivulla 3).
- Aseta pääkytkin (kuva **2** 1, sivulla 3) asentoon "Remote".



### OHJE

Jos haluat käyttää erillistä kytkinkontaktia omalla jännitesyötöllä, esim. virrasta, tulee sinun asettaa väliin sopiva rele.

## 8.3 Useampien sähkölaitteiden liittäminen



### VAROITUS! Sähköiskusta johtuva hengenvaara!

Jos haluat liittää vaihtosuuntaajaan enemmän kuin yhden sähkölaitteen ja kokoat siihen pistorasiaverkon, tulee vaihtosuuntaajaan asentaa suoja-kytkin (FI-kytkin) ja maadoitusliitos. Ainoastaan ammattilainen, joka tuntee vastaavat VDE-direktiivit, saa liittää maadoitussillan.

Laitteessa on toimituskunnossa galvaaninen erotus. Useampien sähkölaitteiden turvallisen käytön vuoksi on pistorasiaverkkoon välttämätöntä asentaa suojakytkin (FI-kytkin), katso esimerkki-kytkentäkaavio kuva **6**, sivulla 5.

Esimerkki-kytkentäkaavion selitys:

Kohta kuva <b>6</b> , sivulla 5	Selitys
1	230 V~ -jännitelähde
2	Muut laitteet, esim. akkulaturi, jääkaappi
3	DC-jännitelähde (akku)
4	Vaihtosuuntaaja
5	Maadoitussilta asetettu (toimituskunto: ei asetettu, esitetty katkoviivoin)
6	Suojakytkin (FI-kytkin)
7	Pistorasiaverkko sähkölaitteille

- Asenna FI-kytkin pistorasiaverkkoon.

**Aseta maadoitussilta (kuva 4, sivulla 4)****VAROITUS! Sähköiskusta johtuva hengenvaara!**

Ainoastaan ammattilainen, joka tuntee vastaavat VDE-direktiivit, saa liittää maadoitussillan.

**OHJE**

Toimituskunnossa maadoitussillan pistoke on aina asetettuna paikkaan "FG" (eristetty vaihtojännite).

- Ruuvaa ylemmät neljä kiinnitysruuvia (2) pois laitteen etupuolelta kuusiokoloavaimella.
- Ota kansi (1) pois.

**HUOMAUTUS!**

Maadoitussilta muutetaan pistopaikkojen "FG" ja "N + FG" avulla. Älä muuta muita pistopaikkoja, koska muuten laite voi vaurioitua.

- Vedä pistoke (3) irti pistopaikasta "FG" (4).
- Työnnä pistoke (3) pistopaikkaan "N + FG" (5).
- Aseta laitteen kansi (1) takaisin paikalleen ja kiinnitä se ruuveilla (2).

## 9 Vaihtosuuntaajan käyttäminen



### HUOMAUTUS!

**Jos suojakytkintä ei ole:** Kun vaihtosuuntaaja on liitetty ulkoiseen verkkojännitteeseen, 230 V-ulostulopistorasia on maadoitettu. Kun käytössä ei ole ulkoista verkkojännitettä, vaihtosuuntaaja on yhteydessä ainoastaan akkuun (tasavirta). Tässä tapauksessa 230 V-ulostulopistorasia ei ole maadoitettu, vaan se on suojattu suojaeristyksen avulla.



### HUOMAUTUS! Oikosulkuvaara!

Kytke päälle ensin vaihtosuuntaaja ja vasta sitten sähkölaite.

Noudata vaihtosuuntaajaa käyttäessäsi seuraavia ohjeita:

- Jos akkujännite putoaa käytön aikana hälytysarvon alle (kts. "alijännitehälytys" kap. "Tekniset tiedot" sivulla 199), kuulet varoitusaänen ja LED "UVP" (kuva **1** 7, sivulla 3) palaa.
  - Jos akkujännite putoaa katkaisuarvon alle (kts. "alijännitekatkaisu" kap. "Tekniset tiedot" sivulla 199), vaihtosuuntaaja kytkeytyy pois päältä.
  - Jos vaihtosuuntaaja kuumenee liikaa, se kytkeytyy pois päältä ja LED "OLP" (kuva **1** 6, sivulla 3) palaa.  
Jäähdyttyään vaihtosuuntaaja kytkeytyy taas automaattisesti päälle.
  - Kun vaihtosuuntaajaa käytetään pitkä aika suurella kuormalla, on suositeltavaa käynnistää moottori, jotta ajoneuvon akku latautuu uudelleen.
- Liitä sähkölaitteesi 230 V-lähtöön (kuva **1** 4, sivulla 3).  
Voit liittää myös jakorasijärjestelmän.

### 9.1 Vaihtosuuntaajan käyttäminen ilman kaukosäädintä

- Aseta pääkytkin (kuva **2** 1, sivulla 3) asentoon
  - "ON" kytkeäksesi vaihtosuuntaajan **päälle**
  - "OFF" kytkeäksesi vaihtosuuntaajan **pois päältä**
- ✓ LED "POWER" palaa, kun vaihtosuuntaaja on kytkeyty päälle.

## 9.2 Vaihtosuuntaajan käyttäminen kaukosäätimellä



### OHJE

Noudata kaukosäätimen toimituskokonaisuuteen sisältyvää käyttöohjetta.

- Aseta pääkytkin asentoon (kuva **2** 1, sivulla 3) "Remote".
- Kytke vaihtosuuntaaja
  - kaukosäätimen painikkeilla päälle tai pois **tai**
  - ulkoinen kytkinkontakti päälle tai pois
- ✓ LED "POWER" palaa, kun vaihtosuuntaaja on kytketty päälle.

## 10 Vaihtosuuntaajan hoito ja puhdistus



### HUOMAUTUS!

Puhdistukseen ei saa käyttää teräviä tai kovia välineitä eikä puhdistusaineita, koska tämä voi johtaa tuotteen vahingoittumiseen.

- Puhdista tuote toisinaan ulkopuolelta kostealla liinalla.

# 11 Vianetsintä

Vika	Syy	Poistaminen
Ei lähtöjännitettä	Ei kontaktia akkuun	Tarkasta kontakti ja johdot. Kytke tarv. virta päälle.
	Terminen ylikuormitus	Kytke sähkölaite pois päältä. Anna vaihtosuuntaajan jäähtyä ja huolehdi paremmasta ilmanvaihdosta. Alenna jatkuvaa kuormitusta, jos mahdollista.
	Tulojännite liian korkea	Tarkasta vaihtosuuntaajan tulojännite ja vertaa sitä vaihtosuuntaajan teknisiin tietoihin.
	Sulake on palanut (vaihtosuuntaajassa tai ajoneuvossa)	Vaihda sulake saman spesifikaation sulakkeeseen.
	Laite rikki	Vaihda laite.
Laite kytkeytyy jaksoittain päälle/pois	Jatkuva kuormitus on liian korkea	Vähennä kuormitusta.
Vaihtosuuntaaja kytkeytyy pois päältä, kun sähkölaite kytketään päälle	Päällekytkentävirta on liian korkea	Vertaa sähkölaitteen tehoa vaihtosuuntaajan maksimittehoon.
Liian matala lähtöjännite	Akkujännite matalampi kuin katkaisuarvo (kts. "alijännitekatkaisu" kap. "Tekniset tiedot" sivulla 199)	Lataa akku (käynnistä moottori).



## OHJE

Lähtöjännite voidaan mitata oikein vain True-RMS-mittalaitteella.

## 12 Tuotevastuu

Laitetta koskee lakisääteinen takuu-aika. Jos tuote sattuu olemaan viallinen, käänny maasi valmistajan toimipisteen puoleen (osoitteet käyttöohjeen takasivulla) tai ota yhteyttä omaan ammattikauppiaseesi.

Korjaus- ja takuukäsittelyä varten lähetä mukana seuraavat asiakirjat:

- kopio ostolaskusta, jossa näkyy ostopäivä,
- valitusperuste tai vikakuvaus.

## 13 Hävittäminen

- Vie pakkausmateriaali mahdollisuuksien mukaan vastaavan kierrätysjätteen joukkoon.



Jos poistat tuotteen lopullisesti käytöstä, pyydä tietoa sen hävittämistä koskevista määräyksistä lähimmästä kierrätyskeskuksesta tai ammattiliikkeestäsi.

## 14 Tekniset tiedot



### OHJE

Yli 40 °C:n ympäristölämpötiloissa (esim. moottori- tai lämmitystiloiissa, suora auringonpaiste) teknisissä tiedoissa mainittu jatkuva teho alenee.

Seuraavat tekniset tiedot koskevat kaikkia vaihtosuuntaajia:

	<b>PP1002 PP2002</b>	<b>PP1004 PP2004</b>
Lähtöjännite:	230 V <sub>rL</sub>	
Lähtötaajuus:	50 Hz ± 2 Hz	
Lepovirrankulutus:	< 1,5 A	< 1,5 A
Hyötysuhde jatkuvalla kuormalla:	> 85 %	
Tulojännitealue:	11 – 15 V <sub>===</sub>	22 – 30 V <sub>===</sub>
Verkkotulojännite:	230 V <sub>~</sub>	
Alijännitehälytys:	11 V	22 V
Alijännitekatkaisu:	10,5 V	21 V
Alijännite-uudelleenpäällekytkentä:	12,2 V	24,4 V
Ylijännitekatkaisu:	15,5 V	30,5 V
Ylikuormakatkaisu:	130 %	
Ylikuumentemiskatkaisu:	80 °C	
Sulake ensisijaisuuskytkentä:	10 A	
Ympäristön lämpötila – Varastointi: – Käyttö:	–30 °C – +70 °C 0 °C – +40 °C	
Ilmankosteus – Varastointi: – Käyttö:	20 % – 90 % 10 % – 95 %	
Tarkastus/sertifikaatti:		

	<b>PP1002</b>	<b>PP1004</b>
Jatkuva lähtöteho:	1000 W	
Huippulähtöteho:	2000 W	
DC-sulake:	30 A x 4	15 A x 4
Mitat L x P x K:	176 x 338 x 95 mm	
Paino:	3,5 kg	

	<b>PP2002</b>	<b>PP2004</b>
Jatkuva lähtöteho:	2000 W	
Huippulähtöteho:	4000 W	
DC-sulake:	30 A x 8	15 A x 8
Mitat L x P x K:	176 x 443 x 95 mm	
Paino:	5 kg	



**Прочтите данную инструкцию перед монтажом и вводом в эксплуатацию и сохраните ее. В случае передачи продукта передайте инструкцию следующему пользователю.**

## Оглавление

1	Пояснение символов . . . . .	202
2	Общие указания по технике безопасности. . . . .	202
3	Объем поставки . . . . .	204
4	Принадлежности . . . . .	205
5	Целевая группа данной инструкции . . . . .	205
6	Использование по назначению . . . . .	205
7	Техническое описание . . . . .	206
8	Крепление и подключение инвертора . . . . .	209
9	Использование инвертора . . . . .	214
10	Уход и очистка инвертора . . . . .	215
11	Устранение неисправностей . . . . .	216
12	Гарантия . . . . .	217
13	Утилизация . . . . .	217
14	Технические данные . . . . .	218

# 1 Пояснение символов



## **ПРЕДУПРЕЖДЕНИЕ!**

**Указания по технике безопасности:** Несоблюдение может привести к смертельному исходу или тяжелым травмам.



## **ВНИМАНИЕ!**

Несоблюдение может привести к повреждениям и нарушить работу продукта.



## **УКАЗАНИЕ**

Дополнительная информация по управлению продуктом.

# 2 Общие указания по технике безопасности

Изготовитель не несет никакой ответственности за ущерб в следующих случаях:

- Ошибки монтажа или подключения
- Повреждения продукта из-за механических воздействий и перенапряжений
- Изменения в продукте, выполненные без однозначного разрешения изготовителя
- Использование в целях, отличных от указанных в данной инструкции

## 2.1 Общая безопасность



### ПРЕДУПРЕЖДЕНИЕ!

- Используйте прибор только по назначению.
- Техническое обслуживание и ремонт разрешается выполнять только специалисту, знакомому со связанными с этим опасностями и с соответствующими стандартами и предписаниями.
- Лица (включая детей), которые в связи с ограниченными физическими, сенсорными или умственными способностями или с недостатком опыта или знаний не в состоянии пользоваться данным изделием, не должны использовать это изделие без постоянного присмотра или инструктажа ответственного лица.
- **Электроприборы не являются детскими игрушками!**  
Поэтому храните и используйте прибор в недоступном для детей месте.

## 2.2 Техника безопасности при монтаже прибора



### ПРЕДУПРЕЖДЕНИЕ!

- Установку прибора разрешается выполнять только соответственно квалифицированным специализированным предприятиям, знакомым с подлежащими соблюдению директивами и мерами безопасности.
- Неправильная установка электроприборов на катерах может приводить к повреждению катера коррозией. Установка прибора должна выполняться компетентным электриком.

## 2.3 Техника безопасности при работе прибора



### ПРЕДУПРЕЖДЕНИЕ!

Соблюдайте следующие основные предписания по технике безопасности при пользовании электроприборами для защиты от:

- поражения электрическим током
  - опасности возникновения пожара
  - травм
- Эксплуатируйте прибор только в том случае, если корпус и провода не имеют повреждений.
  - Следите за тем, чтобы не перекрывались отверстия входа и выхода воздуха.
  - Обеспечивайте хорошую вентиляцию. Инвертор производит тепло, которое должно быть отведено.
  - При работах на приборе всегда прерывайте электропитание.

## 3 Объем поставки

Кол-во	Наименование
1	Инвертор
1	Соединительный кабель 230 В
4	Монтажные крепления
1	Монтажный щиток
2	Кабельные наконечники
1	Инструкция по эксплуатации

## 4 Принадлежности

Продается в качестве принадлежности (не входит в объем поставки):

Наименование	Арт. №
Дистанционное управление MCR9	9600000091

По вопросам, касающимся принадлежностей, обращайтесь в сервисную организацию.

## 5 Целевая группа данной инструкции

гл. «Подключение инвертора» на стр. 210 предназначена исключительно для специалистов, знакомых с соответствующими предписаниями Союза немецких электриков.

Все остальные главы предназначены также и для пользователей прибора.

## 6 Использование по назначению



### ПРЕДУПРЕЖДЕНИЕ!

Запрещается использовать инвертор в автомобилях, у которых положительный полюс аккумуляторной батареи соединен с шасси.

Инверторы PP1002, PP1004, PP2002 и PP2004 служат для электроснабжения потребителей напряжением 230 В на источнике питания 12 В или 24 В:

- **12 В:** PP1002 и PP2002
- **24 В:** PP1004 и PP2004

Инверторы пригодны для использования в автомашинах для кемпинга, грузовиках, а также на моторных и парусных яхтах.

## 7 Техническое описание

Инверторы P1000 и PP2000 состоят из двух функциональных блоков:

- Схема инвертора генерирует переменное напряжение 230 В из напряжения батареи
  - **12 В:** PP1002 и PP2002
  - **24 В:** PP1004 и PP2004
- Приоритетная сетевая схема: автоматически переключает между внешним сетевым напряжением (например, от электросети кемпинга) и напряжением 230 В, генерированным из батареи

Приоритет имеет внешнее сетевое напряжение: только при отсутствии внешнего напряжения выходная розетка отсоединяется от внешней цепи напряжения и соединяется с цепью напряжения инвертора. Таким образом обеспечивается, что в выходной розетке всегда имеется напряжение 230 В.

От режима инвертора к стационарному электроснабжению:

Переключение с режима инвертора, при котором генерируется переменное напряжение 230 Вольт из напряжения батареи, к стационарному электроснабжению производится с задержкой.

При вставке штекера во внешнюю розетку (кемпинг, гавань) инвертор выключается с временной задержкой приблизительно 4 с. Еще через 2 с подключается стационарный ток. Таким образом, подключенным приборам дается время для надлежащего выключения.

От стационарного тока к режиму инвертора:

Переключение от стационарного тока к режиму инвертора также выполняется с задержкой.

Если стационарный ток выключается, то инвертор включается через 2 секунды.



### **ВНИМАНИЕ!**

Подключенные приборы при переключении должны быть выключены. Из-за того, что они 2 с не получают напряжения, возможно их придется снова включить.

Инверторы оснащены одной защитой от тепловой перегрузки и одной защитой от электрической перегрузки, а также защитой от пониженного и повышенного напряжения. Инвертор отключается:

- если температура внутри инвертора очень высокая
- если нагрузка превышает значения мощности, указанные в технических данных
- если входное напряжение слишком мало или слишком высоко

К инвертору может быть подключен один потребитель или сетевой разветвитель для реализации бортовой электросети 230 В с несколькими розетками.

В состоянии при поставке прибор оснащен гальванической развязкой. Для надежной работы нескольких потребителей настоятельно требуется установить защитный автомат (устройство защитного отключения) в сетевой разветвитель и вставить в инвертор заземляющую перемычку.



#### **УКАЗАНИЕ**

При подключении приборов с электроприводом (например, дрели, холодильника и т. п.) учтите, что им часто для пуска требуется больше мощности, чем указано на заводской табличке.

Инвертор можно включать вручную или с помощью дистанционного управления.

Охлаждение осуществляется через вентилятор, регулируемый в зависимости от нагрузки.

## 7.1 Органы управления



### УКАЗАНИЕ

Изображена версия для континентальной Европы.

### Вид спереди (рис. 1, стр. 3)

№	Описание
1	<b>Grid:</b> этот светодиод горит, если инвертор снабжается внешним напряжением 230 В; приоритетная схема активна.
2	Разъем для внешнего источника электроснабжения 230 В
3	Circuit Breaker: предохранитель
4	Выход переменного тока 230 В~
5	<b>POWER:</b> этот светодиод горит, если инвертор включен.
6	<b>OLP:</b> этот светодиод горит, если подключенные потребители поглощают слишком много тока.
7	<b>UVP:</b> этот светодиод горит, если емкость батареи слишком мала.
8	<b>OVP:</b> этот светодиод горит, если входное напряжение слишком высокое.

### Вид сзади (рис. 2, стр. 3)

№	Описание
1	Главный выключатель
2	Разъем для дистанционного управления MCR9
3	Разъем для внешнего коммутационного контакта
4	Соединение с корпусом
5	Вентилятор
6	Отрицательный зажим
7	Положительный зажим



## 8 Крепление и подключение инвертора

### 8.1 Крепление инвертора



#### ПРЕДУПРЕЖДЕНИЕ!

- Обеспечивайте надежность расположения!  
Прочно установите прибор и закрепите его таким образом, чтобы
  - он не мог опрокинуться или упасть
  - не было возможно его движение во время езды
- Устанавливайте и крепите прибор в недоступном для детей месте. Могут возникать опасности, которые не осознаются детьми!

Вы можете закрепить инвертор входящими в объем поставки держателями.

При выборе места монтажа соблюдайте следующие указания:

- **Не** эксплуатируйте прибор в
  - мокрой или влажной среде
  - пыльной среде
  - средах с воспламеняющимися веществами
  - взрывоопасных помещениях
- Не эксплуатируйте прибор вблизи источников тепла (солнечных лучей, радиаторов отопления и т. п.). Не допускайте дополнительного нагрева прибора.
- Учитывайте длину проводов и выберите место монтажа поблизости от питающей батареи.
- Выбирайте хорошо проветриваемое место монтажа.  
При монтаже в небольших закрытых помещениях должна иметься приточно-вытяжная вентиляция.
- Следите за тем, чтобы отверстия входа воздуха на торцевых сторонах инвертора оставались свободны.
- Выберите монтажную поверхность, которая является ровной и достаточно твердой.

Закрепите инвертор следующим образом (рис. **5**, стр. 4):



#### ВНИМАНИЕ!

Прежде, чем просверлить какие-либо отверстия, убедитесь в том, что электрические кабели или другие детали автомобиля не будут повреждены при сверлении, пилении и обработке напильником.

- Закрепите по два держателя на левой и правой нижней перемычке. Вы можете позднее сдвигать держатели любым нужным образом.
- Закрепите инвертор, ввинтив по одному винту через отверстия в держателях.

## 8.2 Подключение инвертора



### **ПРЕДУПРЕЖДЕНИЕ!**

Подключение инвертора разрешается выполнять только соответствующим квалифицированным специализированным предприятиям. Следующая информация предназначена исключительно для специалистов, знакомых с подлежащими соблюдению директивами и мерами безопасности.

При электрическом подключении соблюдайте следующие указания по безопасности:



### **ВНИМАНИЕ! Опасность короткого замыкания!**

- При работах на автомобиле всегда отсоединяйте соединение на корпус от питающей батареи.
- Отсоедините питание от внешнего источника электропитания 230 В от кемпера.
- Если необходимо провести электрические провода через металлические стенки или иные стенки с острыми краями, то используйте металлорукава или кабельные вводы.
- Не прокладывайте провода незакрепленными или сильно изогнутыми по электропроводящим материалам (металлу).
- Обеспечивайте надежное крепление проводов.
- Не тяните за провода.
- Не прокладывайте сетевой кабель 230 В и провод 12/24 В постоянного тока совместно с одним и тем же кабельным каналом (металлорукавом).
- Прокладывайте провода так, чтобы исключить опасность спотыкания и повреждения кабеля.



### **ПРЕДУПРЕЖДЕНИЕ! Опасность для жизни из-за поражения электрическим током!**

Если вы хотите присоединить к инвертору более одного потребителя и для этого монтируете сетевой разветвитель, то необходимо установить защитный автомат (устройство защитного отключения) и вставить в инвертор заземляющую перемычку, см. гл. «Подключение нескольких потребителей» на стр. 212.

## Заземление инвертора

- Соединение с корпусом инвертора (рис. **2** 4, стр. 3) подсоединить к корпусу автомобиля.

## Подключение инвертора к аккумуляторной батарее



### УКАЗАНИЕ

Учитывайте, что при отсоединении клеммы батареи все энергозависимые запоминающие устройства подключенных потребителей теряют сохраненные в них данные.



### ВНИМАНИЕ!

Соблюдайте правильную полярность. Если перепутано положительное и отрицательное соединение, то прибор может повредиться.

- Соединительный зажим красного соединительного кабеля батареи соединить с положительным зажимом (рис. **2** 7, стр. 3) на инверторе.
- Соединительный зажим черного соединительного кабеля батареи соединить с отрицательным зажимом (рис. **2** 6, стр. 3) на инверторе.
- Проверить надежность контакта соединения.  
Возможно, придется позже еще раз подтянуть резьбовое соединение.



### УКАЗАНИЕ

Из-за заряда внутренних конденсаторов при подключении могут возникнуть искры.

- Красный соединительный кабель батареи соединить с положительным полюсом батареи.
- Черный соединительный кабель батареи соединить с отрицательным полюсом батареи.

## Подключение инвертора к сети 230 В

- Вставить соединительный кабель 230 В в разъем источника электроснабжения 230 В инвертора (рис. **1** 2, стр. 3).
- Соединительный кабель 230 В подсоединить к установленной в автомобиле розетке 230 В.

### Подключение дистанционного управления к инвертору

- При необходимости выключить инвертор.
- Вставить конец кабеля дистанционного управления в разъем (рис. **2** 2, стр. 3).
- Установить главный выключатель на (рис. **2** 1, стр. 3) «Remote».

### Подключение внешнего коммутационного контакта к инвертору

- При необходимости выключить инвертор.
- Подсоединить внешний коммутационный контакт (электропитание из инвертора) согласно схеме соединений (рис. **3**, стр. 3) к удаленному порту (рис. **2** 3, стр. 3).
- Установить главный выключатель на (рис. **2** 1, стр. 3) «Remote».



#### УКАЗАНИЕ

Если вы хотите использовать внешний коммутационный контакт с собственным электропитанием, например, от зажигания, то необходимо выполнить промежуточное включение подходящего реле.

## 8.3 Подключение нескольких потребителей



#### ПРЕДУПРЕЖДЕНИЕ! Опасность для жизни из-за поражения электрическим током!

Если вы хотите присоединить к инвертору более одного потребителя и для этого монтируете сетевой разветвитель, то необходимо установить защитный автомат (устройство защитного отключения) и вставить в инвертор заземляющую перемычку. Заземляющую перемычку разрешается подключать только специалистам, знакомым с соответствующими предписаниями Союза немецких электриков.

В состоянии при поставке прибор оснащен гальванической развязкой. Для надежной работы нескольких потребителей настоятельно требуется установка защитного автомата (устройства защитного отключения) в сетевой разветвитель, см. пример схемы соединений на рис. **6**, стр. 5.

Пояснения к примеру схемы соединений:

Поз. на рис. <b>6</b> , стр. 5	Пояснение
1	Источник напряжения 230 В~
2	Другие приборы, например, устройство для заряда батарей, холодильник
3	Источник напряжения постоянного тока (батарея)
4	Инвертор
5	Заземляющая перемычка вставлена (состояние при поставке: не вставлена, показана штриховой линией)
6	Защитный автомат (устройство защитного отключения)
7	Сетевой разветвитель для потребителей

- Установите устройство защитного отключения в сетевой разветвитель.

### Установка заземляющей перемычки (рис. **4**, стр. 4)



#### **ПРЕДУПРЕЖДЕНИЕ! Опасность для жизни из-за поражения электрическим током!**

Заземляющую перемычку разрешается подключать только специалистам, знакомым с соответствующими предписаниями Союза немецких электриков.



#### **УКАЗАНИЕ**

В состоянии при поставке штекер для заземляющей перемычки всегда вставлен в гнездо «FG» (изолированное переменное напряжение).

- Вывинтите четыре верхних крепежных винта (**2**) на торцевых сторонах прибора ключом для внутренних шестигранников.
- Снимите крышку (**1**).



#### **ВНИМАНИЕ!**

Заземляющая перемычка изменяется с помощью гнезд «FG» и «N + FG». Не изменяйте другие гнезда, иначе прибор может повредиться.

- Выньте штекер **(3)** из гнезда «FG» **(4)**.
- Вставьте штекер **(3)** в гнездо «N + FG» **(5)**.
- Снова установите крышку прибора **(1)** и закрепите ее винтами **(2)**.

## 9 Использование инвертора



### **ВНИМАНИЕ!**

**Если отсутствует защитный автомат:** Если инвертор подключен к внешнему сетевому напряжению, то выходная розетка 230 В заземлена.

Если внешнее сетевое напряжение отсутствует, то инвертор соединен только с батареей (постоянный ток). В этом случае выходная розетка 230 В не заземлена, а защищена с помощью изоляции.



### **ВНИМАНИЕ! Опасность короткого замыкания!**

Включите сначала инвертор и только затем потребителей.

При использовании инвертора соблюдайте следующие указания:

- Если напряжение батареи при работе опускается ниже аварийного значения (см. «Сигнализация при пониженном напряжении» в гл. «Технические данные» на стр. 218), то раздастся предупреждающий сигнал и загорается светодиод «UVP» (рис. **1** 7, стр. 3).
- Если напряжение батареи опускается ниже значения отключения (см. «Отключение при пониженном напряжении» в гл. «Технические данные» на стр. 218), то инвертор отключается.
- При слишком большом нагреве инвертор выключается, и загорается светодиод «OLP» (рис. **1** 6, стр. 3).

После охлаждения инвертор автоматически снова включается.

- При длительной работе инвертора с большой нагрузкой рекомендуется включить двигатель, чтобы подзарядить аккумуляторную батарею автомобиля.
- Подключите потребителей к выходу 230 В (рис. **1** 4, стр. 3).  
Вы можете также подключить сетевой распределитель.

## 9.1 Использование инвертора без дистанционного управления

- ▶ Установите главный выключатель (рис. **2** 1, стр. 3) в положение
  - «ON», чтобы **включить** инвертор
  - «OFF», чтобы **выключить** инвертор
- ✓ Светодиод «Power» горит, если инвертор включен.

## 9.2 Использование инвертора с дистанционным управлением



### УКАЗАНИЕ

Соблюдайте также инструкцию по эксплуатации, содержащуюся в комплекте поставки дистанционного управления.

- ▶ Установите главный выключатель (рис. **2** 1, стр. 3) в положение «Remote».
- ▶ Включите или выключите инвертор с помощью
  - кнопок дистанционного управления **или**
  - внешнего коммутационного контакта
- ✓ Светодиод «Power» горит, если инвертор включен.

## 10 Уход и очистка инвертора



### ВНИМАНИЕ!

Не использовать для очистки острые или твердые предметы или чистящие средства, т. к. это может привести к повреждениям продукта.

- ▶ Периодически очищайте продукт влажной тряпкой.

## 11 Устранение неисправностей

Неисправность	Причина	Устранение
Отсутствует выходное напряжение	Нет контакта с батареей	Проверить контакт и кабель. При необходимости включить зажигание.
	Тепловая перегрузка	Отключить потребителей. Дать инвертору охладиться и обеспечить лучшую вентиляцию. При необходимости уменьшите длительную нагрузку.
	Слишком высокое входное напряжение.	Проверить входное напряжение на инверторе и сравнить с техническими данными инвертора.
	Неисправен предохранитель (в инверторе или в автомобиле).	Замена предохранителя на предохранитель с такими же характеристиками.
Прибор периодически включается и выключается	Прибор неисправен	Заменить прибор.
	Слишком высокая длительная нагрузка	Уменьшить нагрузку.
При включении потребителей инвертор выключается	Слишком высокий пусковой ток	Сравнить мощность потребителей с максимальной мощностью инвертора.
Слишком низкое выходное напряжение	Напряжение батареи ниже значения отключения (см. «Отключение при пониженном напряжении» в гл. «Технические данные» на стр. 218)	Зарядить батарею (включить двигатель).



### УКАЗАНИЕ

Выходное напряжение можно верно измерить с помощью измерительного прибора True-RMS.



## 12 Гарантия

Действителен установленный законом срок гарантии. Если продукт неисправен, обратитесь в представительство изготовителя в Вашей стране (адреса см. на оборотной стороне инструкции) или в торговую организацию.

В целях проведения ремонта или гарантийного обслуживания Вы должны также послать следующие документы:

- копию счета с датой покупки,
- причину рекламации или описание неисправности.

## 13 Утилизация

- По возможности, выкидывайте упаковочный материал в мусор, подлежащий вторичной переработке.



Если Вы окончательно выводите продукт из эксплуатации, то получите информацию в ближайшем центре по вторичной переработке или в торговой сети о соответствующих предписаниях по утилизации.

## 14 Технические данные



### УКАЗАНИЕ

При температуре окружающей среды выше 40 °С (например, в моторном или отопительном отделении) снижается длительная мощность, указанная в технических данных.

Следующие технические данные касаются всех инверторов:

	<b>PP1002 PP2002</b>	<b>PP1004 PP2004</b>
Выходное напряжение:	230 В $\sqrt{3}$ <sup>L</sup>	
Выходная частота:	50 Гц $\pm$ 2 Гц	
Потребляемый ток холостого хода:	< 1,5 А	< 1,5 А
КПД при длительной нагрузке:	> 85 %	
Диапазон входного напряжения:	11 – 15 В <sup>===</sup>	22 – 30 В <sup>===</sup>
Входное напряжение сети:	230 В $\sim$	
Сигнализация при пониженном напряжении:	11 В	22 В
Отключение при пониженном напряжении:	10,5 В	21 В
Повторное включение при пониженном напряжении:	12,2 В	24,4 В
Отключение при повышенном напряжении:	15,5 В	30,5 В
Отключение при перегрузке:	130 %	
Отключение при перегреве:	80 °С	
Предохранитель приоритетной схемы:	10 А	
Температура окружающей среды – хранение: – эксплуатация:	–30 °С – +70 °С 0 °С – +40 °С	
Относительная влажность воздуха – хранение: – эксплуатация:	20 % – 90 % 10 % – 95 %	
Испытания/сертификат:		

	<b>PP1002</b>	<b>PP1004</b>
Длительная выходная мощность:	1000 W	
Пиковая выходная мощность:	2000 W	
Предохранитель постоянного тока:	30 А x 4	15 А x 4
Размеры Ш x Д x В:	176 x 338 x 95 мм	
Вес:	3,5 кг	

	<b>PP2002</b>	<b>PP2004</b>
Длительная выходная мощность:	2000 W	
Пиковая выходная мощность:	4000 W	
Предохранитель постоянного тока:	30 А x 8	15 А x 8
Размеры Ш x Д x В:	176 x 443 x 95 мм	
Вес:	5 кг	

**Przed instalacją i uruchomieniem urządzenia należy uważnie przeczytać niniejszą instrukcję. Instrukcję należy zachować. W razie przekazywania urządzenia należy ją udostępnić kolejnemu nabywcy.**

## Spis treści

1	Objaśnienie symboli . . . . .	221
2	Ogólne wskazówki bezpieczeństwa . . . . .	221
3	Zakres dostawy . . . . .	223
4	Osprzęt . . . . .	223
5	Odbiorcy instrukcji . . . . .	223
6	Użytkowanie zgodne z przeznaczeniem . . . . .	224
7	Opis techniczny . . . . .	224
8	Mocowanie i podłączanie przetwornicy . . . . .	227
9	Użytkowanie przetwornicy . . . . .	232
10	Pielęgnacja i czyszczenie przetwornicy . . . . .	233
11	Usuwanie usterek . . . . .	234
12	Gwarancja . . . . .	235
13	Utylizacja . . . . .	235
14	Dane techniczne . . . . .	236

# 1 Objąśnienie symboli



## **OSTRZEŻENIE!**

**Wskazówka dot. bezpieczeństwa:** Nieprzestrzeganie może prowadzić do śmierci lub ciężkich obrażeń ciała.



## **UWAGA!**

Nieprzestrzeganie może prowadzić do powstania szkód materialnych i zakłóceń w działaniu produktu.



## **WSKAZÓWKA**

Informacje uzupełniające dot. obsługi produktu.

# 2 Ogólne wskazówki bezpieczeństwa

Producent nie odpowiada za szkody spowodowane:

- błędami powstałymi w trakcie montażu lub podłączenia
- uszkodzeniem produktu w sposób mechaniczny lub spowodowany przeciążeniami elektrycznymi
- zmianami dokonanyymi w produkcie bez wyraźnej zgody producenta
- użytkowaniem w celach innych niż opisane w niniejszej instrukcji

## 2.1 Ogólne bezpieczeństwo



### **OSTRZEŻENIE!**

- Urządzenie należy wykorzystywać zgodnie z jego przeznaczeniem.
- Konserwację i naprawę mogą wykonywać tylko wykwalifikowane osoby, które zapoznały się ze związanymi z tym zagrożeniami lub odnośnymi przepisami.
- Osoby (łącznie z dziećmi), które z powodu swych zdolności psychofizycznych, sensorycznych lub umysłowych bądź braku doświadczenia lub niewiedzy nie są w stanie bezpiecznie używać urządzenia, nie powinny korzystać z niego bez nadzoru osoby odpowiedzialnej.
- **Urządzenia elektryczne nie są zabawkami dla dzieci!** Urządzenie należy stosować i przechowywać poza zasięgiem dzieci.

## 2.2 Bezpieczeństwo podczas instalacji urządzenia



### OSTRZEŻENIE!

- Instalacja urządzenia może być wykonywana wyłącznie przez odpowiednio wyszkolonych specjalistów, którzy znają obowiązujące zalecenia i stosowane środki bezpieczeństwa.
- W przypadku nieprawidłowej instalacji urządzeń elektrycznych na łodziach mogą wystąpić szkody spowodowane korozją. Instalację przetwornicy powinien wykonać wykwalifikowany elektryk (znający się na instalacjach elektrycznych łodzi).

## 2.3 Bezpieczeństwo podczas eksploatacji urządzenia



### OSTRZEŻENIE!

Należy przestrzegać podstawowych zasad bezpieczeństwa obowiązujących przy używaniu urządzeń elektrycznych w celu ochrony przed:

- porażeniem prądem
  - pożarem
  - obrażeniami ciała
- 
- Urządzenia wolno używać tylko wówczas, gdy obudowa i przewody nie są uszkodzone.
  - Należy uważać, aby wloty i wyloty powietrza urządzenia nie były zasłonięte.
  - Konieczne jest zapewnienie dobrej wentylacji. Przetwornica wytwarza ciepło utracone, które musi zostać odprowadzone.
  - Zawsze należy odłączyć zasilanie prądem podczas wykonywania czynności na urządzeniu.

### 3 Zakres dostawy

Ilość	Nazwa
1	Przetwornica
1	Przewód przyłączeniowy 230 V
4	Uchwyty montażowe
1	Blacha montażowa
2	Końcówki kablowe
1	Instrukcja obsługi

### 4 Osprzęt

Elementy dostępne jako osprzęt (nieobjęte zakresem dostawy):

Nazwa	Art. nr
Pilot MCR9	9600000091

W przypadku pytań dotyczących osprzętu proszę skontaktować się ze swoim partnerem serwisowym.

### 5 Odbiorcy instrukcji

Ten rozdział rozdz. „Podłączanie przetwornicy” na stronie 228 przeznaczony jest wyłącznie dla specjalistów, którzy dysponują wiedzą w zakresie odpowiednich dyrektyw VDE.

Wszystkie pozostałe rozdziały skierowane są do użytkowników urządzenia.

## 6 Użytkowanie zgodne z przeznaczeniem



### OSTRZEŻENIE!

Przetwornicy nie wolno stosować w pojazdach, w których biegun dodatni akumulatora jest połączony z podwoziem.

Przetwornice PP1002, PP1004, PP2002 i PP2004 służą do zasilania napięciem odbiorników 230 V ze źródła zasilania 12 V lub 24 V:

- **12 V:** PP1002 i PP2002
- **24 V:** PP1004 i PP2004

Przetwornice nadają się do stosowania w pojazdach turystycznych, pojazdach użytkowych oraz jachtach wyposażonych w silniki bądź żagle.

## 7 Opis techniczny

Przetwornice PP1000 i PP2000 składają się z dwóch jednostek funkcjonalnych:

- Przełącznik przetwornicy: generuje napięcie przemiennie 230 V z napięcia akumulatora
  - **12 V:** PP1002 i PP2002
  - **24 V:** PP1004 i PP2004
- Sieciowy przełącznik pierwszeństwa: przełącza się automatycznie pomiędzy zewnętrznym źródłem napięcia 230 V (np. na polu kempingowym) i napięciem 230 V generowanym z akumulatora

Pierwszeństwo ma zewnętrzne źródło napięcia: Dopiero, jeśli nie ma żadnego napięcia zewnętrznego, gniazdko wyjściowe zostaje oddzielone od zewnętrznego obwodu napięciowego i połączone z obwodem przetwornicy. W ten sposób zapewnia się, że w gniazdku wyjściowym występować będzie zawsze napięcie 230 V.

Przełączenie z trybu inwertorowego na pobieranie energii elektrycznej z sieci lądowej:

Przełączenie z trybu inwertorowego, w którym napięcie przemiennie 230 V jest wytwarzane z napięcia akumulatora na pobieranie energii elektrycznej z sieci lądowej odbywa się z opóźnieniem.

Po włączeniu wtyczki do zewnętrznego gniazdka sieciowego (pole kempingowe, port) inwertor wyłącza się z opóźnieniem ok. 4 s. Po kolejnych 2 s zostaje włączony prąd wytwarzany na lądzie. W ten sposób podłączone urządzenia mają czas na prawidłowe odłączenie.



Przełączenie z pobierania energii elektrycznej z sieci lądowej na tryb inwertorowy:

Przełączenie z pobierania energii z sieci lądowej na tryb inwertorowy odbywa się również z opóźnieniem.

Jeśli następuje przerwa w pobieraniu energii z lądu, inwertor włącza się po 2 sekundach.

**UWAGA!**

Podłączone urządzenia powinny być wyłączone podczas przełączania. Ponieważ nie są one zasilane przez 2 s, może wystąpić potrzeba ich ponownego włączenia.

Przetwornica jest wyposażona w termiczną i elektryczną ochronę przeciążeniową oraz niedmiarowo- i nadmiarowoprzepięciową. Przetwornica wyłącza się, gdy:

- wewnętrzna temperatura przetwornicy jest za wysoka
- obciążenie przekracza wartości mocy określone w danych technicznych
- napięcie wejściowe jest za niskie lub za wysokie

Do przetwornicy można podłączyć pojedynczy odbiornik lub system rozdzielczy, który umożliwi podłączenie do gniazda elektrycznego pojazdu wielu gniazdek.

Dostarczane urządzenie jest wyposażone w separator galwaniczny. W celu zagwarantowania bezpiecznej pracy wielu odbiorników bezwzględnie wymagane jest zainstalowanie przełącznika bezpieczeństwa (wyłącznika FI) w obwodzie rozdzielczym z gniazdem wtykowym oraz mostka uziemiającego w przetwornicy.

**WSKAZÓWKA**

Przy podłączaniu urządzeń z napędem elektrycznym (np. wiertarki, lodówki itd.) należy pamiętać, że przy rozruchu często wymagają one wyższej mocy niż podano na tabliczce znamionowej.

Przetwornicę można włączyć ręcznie lub za pomocą pilota.

Chłodzenie odbywa się za pomocą wentylatora sterowanego zależnie od obciążenia.

## 7.1 Elementy obsługi



### WSKAZÓWKA

Ilustracja przedstawia wersję na Europę kontynentalną

### Widok z przodu (rys. **1**, strona 3)

Nr	Opis
1	<b>Grid:</b> Ta dioda LED świeci się, jeśli przetwornica jest zasilana z zewnętrznego źródła napięcia 230 V, przełącznik pierwszeństwa jest aktywny.
2	Złączka do zewnętrznego źródła napięcia 230 V
3	Wyłącznik: Bezpiecznik
4	Wyjście 230 V~
5	<b>POWER:</b> Ta dioda LED świeci się, kiedy przetwornica jest włączona.
6	<b>OLP:</b> Ta dioda LED świeci się, jeśli podłączone odbiorniki pobierają zbyt wiele prądu.
7	<b>UVP:</b> Ta dioda LED świeci się, jeśli moc akumulatora jest zbyt mała.
8	<b>OVP:</b> Ta dioda LED świeci się, jeśli napięcie wejściowe jest zbyt wysokie.

### Widok z tyłu (rys. **2**, strona 3)

Nr	Opis
1	Przełącznik główny
2	Złączka do pilota MCR9
3	Złączka do zewnętrznego styku przełączającego
4	Przewód masy
5	Wentylatory
6	Zacisk ujemny
7	Zacisk dodatni

## 8 Mocowanie i podłączanie przetwornicy

### 8.1 Zamocowanie przetwornicy



#### OSTRZEŻENIE!

- Należy zapewnić bezpieczną pozycję! Urządzenie należy ustawić i przymocować w taki sposób,
  - aby nie mogło się przewrócić lub spaść
  - i aby nie poruszało się w czasie jazdy
- Urządzenie powinno być niedostępne dla dzieci. Mogą zaistnieć zagrożenia niezauważone przez dzieci!

Przetwornicę można zamocować za pomocą dołączonych mocowań.

Przy wyborze miejsca montażu należy uwzględnić następujące wskazówki:

- Urządzenia **nie** należy eksploatować:
  - w wilgotnym lub mokrym miejscu,
  - zakurzonym otoczeniu,
  - w otoczeniu materiałów palnych,
  - w obszarach zagrożonych wybuchem.
- Nie wolno trzymać urządzenia w pobliżu źródła ciepła (promieni słonecznych, ogrzewania itd.). Źródło ciepła spowoduje jego dodatkowe nagrzanie.
- Stosować przewody o podanej długości i wybrać miejsce montażu w pobliżu akumulatora zasilającego.
- Wybrać dobrze wentylowane miejsce montażu.

W przypadku instalacji w zamkniętych, małych pomieszczeniach należy zapewnić wentylację.

- Należy zagwarantować swobodny dopływ powietrza z przodu przetwornicy.
- Wybrać równą, odpowiednio wytrzymałą powierzchnię do montażu.

Przetwornicę należy przymocować w następujący sposób (rys. 5, strona 4):

**UWAGA!**

Przed wykonaniem jakichkolwiek nawierceń należy się upewnić, że kable elektryczne ani inne części samochodu nie zostaną uszkodzone w wyniku wiercenia i piłowania.

- ▶ Należy zacześcić dwa mocowania po lewej i prawej stronie podstawy. Mocowania można następnie dowolnie przesuwać.
- ▶ Należy przymocować przetwornicę, wkręcając każdą śrubę przez otwory wywiercone w mocowaniach.

## 8.2 Podłączanie przetwornicy

**OSTRZEŻENIE!**

Podłączenie przetwornicy może być wykonywane wyłącznie przez odpowiednio wyszkolonych specjalistów.

Poniższe informacje są skierowane do specjalistów, którzy zapoznali się z odpowiednimi wytycznymi i środkami bezpieczeństwa.

Podczas wykonywania podłączenia elektrycznego należy stosować się do następujących wskazówek:

**UWAGA! Istnieje ryzyko zwarcia!**

- Przed rozpoczęciem prac przy pojeździe należy najpierw zawsze odłączyć połączenie masy z akumulatorem zasilania.
- Należy odłączyć zasilanie zewnętrzne 230 V pojazdu kempingowego.
- Jeżeli przewody muszą zostać przeprowadzone przez blaszane ściany lub ściany o ostrych krawędziach, należy użyć pustych rurek lub przepustów przewodów.
- Nie wolno układać luźnych albo mocno zgiętych przewodów na materiałach przewodzących prąd (metal).
- Należy dobrze przymocować przewody.
- Nie ciągnąć za przewody.
- Nie układać przewodów sieciowych 230 V i przewodów prądu stałego 12/24 V w tym samym kanale przewodów (pusta rurka).
- Przewody należy układać tak, aby uniknąć potykania się o nie i ich uszkodzenia.

**OSTRZEŻENIE! Zagrożenie życia w wyniku porażenia prądem!**

Jeśli do przetwornicy ma zostać podłączony więcej niż jeden odbiornik i w tym celu tworzony jest obwód rozdzielczy z gniazdem wtykowym, należy przewidzieć przelącznik bezpieczeństwa (wyłącznik FI) oraz umieścić w przetwornicy mostek uziemiający, zob. rozdz. „Podłączanie wielu odbiorników” na stronie 230.

**Uziemienie przetwornicy**

- Przyłączy masy przetwornicy (rys. **2** 4, strona 3) połączyć z masą pojazdu.

**Podłączanie przetwornicy do akumulatora****WSKAZÓWKA**

Podczas odłączania akumulatora należy pamiętać, że wszystkie ulotne pamięci podłączone do odbiorników tracą zapamiętane dane.

**UWAGA!**

Zwrócić uwagę na prawidłowe podłączenie biegunów! W przypadku zamiany bieguna dodatniego i ujemnego urządzenie może ulec uszkodzeniu.

- Zacisk przyłączeniowy czerwonego przewodu akumulatora połączyć z zaciskiem plus (rys. **2** 7, strona 3) przetwornicy.
- Zacisk przyłączeniowy czarnego przewodu akumulatora połączyć z zaciskiem minus (rys. **2** 6, strona 3) przetwornicy.
- Sprawdzić, czy połączenia gwarantują pewny kontakt. W razie potrzeby dociągnąć ponownie złącza śrubowe.

**WSKAZÓWKA**

W wyniku naładowania wewnętrznych kondensatorów podczas podłączania mogą tworzyć się iskry.

- Połączyć czerwony przewód przyłączeniowy akumulatora z biegunem dodatnim akumulatora.
- Połączyć czarny przewód przyłączeniowy akumulatora z biegunem ujemnym akumulatora.

## Podłączanie przetwornicy do kabla sieciowego 230 V

- Włożyć kabel przyłączeniowy 230 V do złączki do zasilania napięciem 230 V przetwornicy (rys. **1** 2, strona 3).
- Połączyć kabel przyłączeniowy 230 V z gniazdkiem 230 V zamontowanym w samochodzie.

## Podłączanie pilota do przetwornicy

- W razie potrzeby wyłączyć przetwornicę.
- Końcówkę kabla pilota włożyć do złączki (rys. **2** 2, strona 3).
- Ustawić główny przełącznik (rys. **2** 1, strona 3) w pozycji „Remote”.

## Podłączanie zewnętrznego styku przełączającego do przetwornicy

- W razie potrzeby wyłączyć przetwornicę.
- Podłączyć zewnętrzny styk przełączający (zasilanie napięciem z przetwornicy) zgodnie ze schematem połączeń (rys. **3**, strona 3) do zdalnego portu (rys. **2** 3, strona 3).
- Ustawić główny przełącznik (rys. **2** 1, strona 3) w pozycji „Remote”.



### WSKAZÓWKA

W przypadku zastosowania zewnętrznego styku przełączającego z własnym źródłem zasilania, np. z zapalniczki, należy koniecznie podłączyć odpowiedni przełącznik.

## 8.3 Podłączanie wielu odbiorników



### OSTRZEŻENIE! Zagrożenie życia w wyniku porażenia prądem!

Jeśli do przetwornicy ma zostać podłączony więcej niż jeden odbiornik i w tym celu tworzony jest obwód rozdzielczy z gniazdem wtykowym, należy przewidzieć przełącznik bezpieczeństwa (wyłącznik FI) oraz umieścić w przetwornicy mostek uziemiający. Mostek uziemiający może zostać podłączony jedynie przez personel specjalistyczny, zaznajomiony z odpowiednimi dyrektywami VDE.

Urządzenie w stanie z chwili dostawy jest wyposażone w separator galwaniczny. W celu zagwarantowania bezpiecznej pracy wielu odbiorników bezwzględnie wymagane jest zainstalowanie przełącznika bezpieczeństwa (wyłącznika FI) w obwodzie rozdzielczym z gniazdem wtykowym, zob. przykładowy schemat połączeń w rys. **6**, strona 5.

Legenda przykładowego schematu połączeń:

Poz. na rys. <b>6</b> , strona 5	Objaśnienie
1	Źródło napięcia 230 V~
2	Kolejne urządzenia, np. ładowarka, lodówka
3	Źródło napięcia DC (akumulator)
4	Przetwornica
5	Umieszczony mostek uziemiający (stan z chwili dostawy: niemieszczony, przedstawiony jako zakresowany)
6	Przełącznik bezpieczeństwa (wyłącznik FI)
7	Obwód rozdzielczy z gniazdem wtykowym dla odbiornika

- W obwodzie rozdzielczym z gniazdem wtykowym należy umieścić wyłącznik FI.

### Tworzenie mostka uziemiającego rys. **4**, strona 4)



#### **OSTRZEŻENIE! Zagrożenie życia w wyniku porażenia prądem!**

Mostek uziemiający może zostać podłączony jedynie przez personel specjalistyczny, zaznajomiony z odpowiednimi dyrektywami VDE.



#### **WSKAZÓWKA**

W momencie dostarczenia wtyczka do mostka uziemiającego jest zawsze włożona do gniazda „FG” (izolowane napięcie przemienne).

- Wykręcić cztery górne śruby mocujące **(2)** na przodzie urządzenia za pomocą klucza do śrub z łbem walcowym o gnieździe sześciokątnym.
- Zdjąć pokrywę **(1)**.



#### **UWAGA!**

Mostek uziemiającego zostaje przełożony z gniazda „FG” do „N + FG”. Nie należy zmieniać pozostałych gniazd, gdyż może to spowodować uszkodzenie urządzenia.

- ▶ Wyciągnąć wtyczkę **(3)** z gniazda „FG” **(4)**.
- ▶ Włożyć wtyczkę **(3)** do gniazda „N + FG” **(5)**.
- ▶ Następnie należy ponownie założyć pokrywę urządzenia **(1)** i przymocować ją za pomocą śrub **(2)**.

## 9 Użytkowanie przetwornicy



### UWAGA!

**Jeśli nie występuje przełącznik bezpieczeństwa:** Jeśli przetwornica jest podłączona do zewnętrznego źródła napięcia, gniazdko wyjściowe 230 V jest uziemione.

Jeśli nie ma zewnętrznego napięcia, przetwornica jest połączona tylko z akumulatorem (prąd stały). W takim przypadku gniazdko wyjściowe 230 V nie jest uziemione, tylko zabezpieczone przez izolację ochronną.



### UWAGA! Istnieje ryzyko zwarcia!

Najpierw należy włączyć przetwornicę, dopiero później odbiorniki.

Podczas użytkowania przetwornicy należy uwzględnić następujące wskazówki:

- Jeśli podczas pracy napięcie akumulatora spadnie poniżej wartości alarmowej (zob. „Alarm podnapięciowy” w rozdz. „Dane techniczne” na stronie 236), włącza się dźwięk ostrzegawczy i zapala się dioda LED „UVP” (rys. **1** 7, strona 3).
- Jeśli napięcie akumulatora spadnie poniżej wartości wyłączenia (zob. „Wyłączenie podnapięciowe” w rozdz. „Dane techniczne” na stronie 236), przetwornica wyłącza się.
- W przypadku zbyt silnego nagrzania przetwornica wyłącza się i świeci się dioda LED „OLP” (rys. **1** 6, strona 3)

Po ochłodzeniu przetwornica włącza się automatycznie.

- W przypadku gdy przetwornica działa przez dłuższy czas i z większym obciążeniem, zaleca się włączyć silnik w celu naładowania akumulatora samochodu.
- ▶ Podłączyć odbiornik do wyjścia 230 V (rys. **1** 4, strona 3).  
Możliwe jest również podłączenie systemu rozdzielczego dla gniazad.



## 9.1 Użytkowanie przetwornicy bez pilota

- ▶ Główny przełącznik (rys. **2** 1, strona 3) ustawić w pozycji
  - „ON”, aby **włączyć** przetwornicę.
  - „OFF”, aby **wyłączyć** przetwornicę.
- ✓ Dioda LED „POWER” świeci się, kiedy przetwornica jest włączona.

## 9.2 Użytkowanie przetwornicy z pilotem



### WSKAZÓWKA

Należy przestrzegać instrukcji obsługi dostarczonej w zestawie z pilotem.

- ▶ Należy ustawić główny przełącznik (rys. **2** 1, strona 3) w pozycji „Remote”.
- ▶ Włączyć lub wyłączyć przetwornicę za pomocą
  - przycisków pilota **lub**
  - zewnętrznego styku przełączającego
- ✓ Dioda LED „POWER” świeci się, kiedy przetwornica jest włączona.

## 10 Pielęgnacja i czyszczenie przetwornicy



### UWAGA!

Do czyszczenia nie należy używać ostrych i twardych środków czyszczących; mogą one uszkodzić produkt.

- ▶ Od czasu do czasu należy czyścić produkt wilgotną ściereczką.

## 11 Usuwanie usterek

Usterka	Przyczyna	Usuwanie
Brak napięcia wyjściowego	Brak styku z akumulatorem	Sprawdzić kontakt i kabel. Ewentualnie włączyć zapłon.
	Przebiegnięcie termiczne	Wyłączyć odbiornik. Należy schłodzić przetwornicę i zapewnić lepszą wentylację. W razie potrzeby zmniejszyć stałe obciążenie.
	Napięcie wejściowe zbyt wysokie.	Sprawdzić napięcie wejściowe w przetwornicy i porównać z danymi technicznymi przetwornicy.
	Wadliwy bezpiecznik (w przetwornicy lub w samochodzie)	Wymienić bezpiecznik; założyć bezpiecznik o takiej samej specyfikacji.
	Wadliwe urządzenie	Wymienić urządzenie.
Urządzenie cyklicznie się włącza/wyłącza	Za duże obciążenie ciągnę	Zmniejszyć obciążenie.
Przetwornica wyłącza się przy włączeniu odbiorników	Za wysoki prąd włączeniowy	Porównać moc odbiorników z maksymalną mocą przetwornicy.
Za niskie napięcie wyjściowe	Napięcie akumulatora mniejsze niż wartość wyłączeniowa (zob. „Wyłączenie podnapięciowe” w rozdz. „Dane techniczne” na stronie 236)	Naładować akumulator (uruchomić silnik).



### WSKAZÓWKA

Napięcie wyjściowe można prawidłowo zmierzyć tylko za pomocą urządzenia pomiarowego True-RMS.

## 12 Gwarancja

Warunki gwarancji zostały opisane w Karcie Gwarancyjnej dołączonej do produktu.

W celu naprawy lub rozpatrzenia gwarancji konieczne jest przesłanie:

- kopii rachunku z datą zakupu,
- informacji o przyczynie reklamacji lub opisu wady.

## 13 Utylizacja

- Opakowanie należy wyrzucić do odpowiedniego pojemnika na śmieci do recyklingu.



Jeżeli produkt nie będzie dłużej eksploatowany, koniecznie dowiedz się w najbliższym zakładzie recyklingu lub w specjalistycznym sklepie, jakie są aktualnie obowiązujące przepisy dotyczące utylizacji.

## 14 Dane techniczne



### WSKAZÓWKA

Przy temperaturach otoczenia powyżej 40 °C (np. w maszynowniach lub kotłowniach, przy bezpośrednim nasłonecznieniu), zmniejsza się trwała moc urządzenia podana punkcie Dane techniczne.

Poniższe dane techniczne dotyczą wszystkich wersji przetwornicy:

	<b>PP1002 PP2002</b>	<b>PP1004 PP2004</b>
Napięcie wyjściowe:	230 V $\sqrt{r^L}$	
Częstotliwość wyjściowa:	50 Hz $\pm$ 2 Hz	
Pobór prądu bez obciążenia:	< 1,5 A	< 1,5 A
Sprawność przy długotrwałym obciążeniu:	> 85 %	
Zakres napięcia wejściowego:	11 – 15 V $\equiv$	22 – 30 V $\equiv$
Wejściowe napięcie sieciowe:	230 V $\sim$	
Alarm podnapięciowy:	11 V	22 V
Wyłączenie podnapięciowe:	10,5 V	21 V
Ponowne włączenie podnapięciowe:	12,2 V	24,4 V
Wyłączenie nadnapięciowe:	15,5 V	30,5 V
Wyłączenie przeciążeniowe:	130 %	
Wyłączenie przy przekroczeniu temperatury:	80 °C	
Bezpiecznik przełącznika pierwszeństwa:	10 A	
Temperatura otoczenia:		
– Składowanie:	–30 °C – +70 °C	
– Praca:	0 °C – +40 °C	
Wilgotność powietrza		
– Składowanie:	20 % – 90 %	
– Praca:	10 % – 95 %	
Kontrola/Certyfikat:		

	<b>PP1002</b>	<b>PP1004</b>
Wyjściowa moc ciągła:	1000 W	
Szczytowa moc wyjściowa:	2000 W	
Bezpiecznik DC:	30 A x 4	15 A x 4
Wymiary Sz x D x W:	176 x 338 x 95 mm	
Waga:	3,5 kg	

	<b>PP2002</b>	<b>PP2004</b>
Wyjściowa moc ciągła:	2000 W	
Szczytowa moc wyjściowa:	4000 W	
Bezpiecznik DC:	30 A x 8	15 A x 8
Wymiary Sz x D x W:	176 x 443 x 95 mm	
Waga:	5 kg	

**Pred montážou a uvedením do prevádzky si prosím pozorne prečítajte tento návod a odložte si ho. V prípade odovzdania výrobku ďalšiemu používateľovi mu odovzdajte aj tento návod.**

## Obsah

1	Vysvetlenie symbolov . . . . .	239
2	Všeobecné bezpečnostné upozornenia . . . . .	239
3	Obsah dodávky . . . . .	240
4	Príslušenstvo . . . . .	241
5	Cieľová skupina tohto návodu . . . . .	241
6	Používanie v súlade s určením . . . . .	241
7	Technický opis . . . . .	242
8	Upevnenie a pripojenie meniča napätia . . . . .	244
9	Používanie meniča napätia . . . . .	251
10	Ošetrovanie a čistenie meniča napätia . . . . .	252
11	Odstraňovanie porúch . . . . .	253
12	Záruka . . . . .	254
13	Likvidácia . . . . .	254
14	Technické údaje . . . . .	255

# 1 Vysvetlenie symbolov



## VÝSTRAHA!

**Bezpečnostný pokyn:** Nerešpektovanie môže viesť k smrti alebo k ťažkému zraneniu.



## POZOR!

Nerešpektovanie môže viesť k materiálnym škodám a môže ovplyvniť funkciu zariadenia.



## POZNÁMKA

Doplňujúce informácie k obsluhu výrobku.

# 2 Všeobecné bezpečnostné upozornenia

Výrobca v nasledujúcich prípadoch nepreberá za škody žiadnu záruku:

- Chyby montáže alebo pripojenia
- Poškodenia produktu mechanickými vplyvmi a prepätiami
- Zmeny produktu bez vyjadreného povolenia výrobcu
- Použitie na iné účely ako sú účely uvedené v návode

## 2.1 Všeobecná bezpečnosť



### VÝSTRAHA!

- Prístroj používajte len v súlade s jeho určeným používaním.
- Údržbu a opravy smie uskutočňovať len špecializovaný pracovník, ktorý je oboznámený s rizikami s tým spojenými, príp. s príslušnými predpismi.
- Osoby (vrátane detí), ktoré z dôvodu ich fyzických, zmyslových alebo duševných schopností alebo ich neskúsenosti alebo neznalosti nie sú schopné bezpečne používať tento výrobok, by ho nemali používať bez dozoru alebo poučenia zodpovednou osobou.
- **Elektrické prístroje nie sú hračkou pre deti!** Prístroj používajte mimo dosahu detí.

## 2.2 Bezpečnosť pri inštalácii prístroja



### VÝSTRAHA!

- Inštaláciu a opravy zariadenia smú vykonávať len odborné firmy s príslušným osvedčením, ktoré sú oboznámené s príslušnými smernicami a bezpečnostnými predpismi.
- Pri nesprávnej inštalácii elektrických zariadení na lodiach môže dôjsť k poškodeniam lode koróziou. Inštaláciu prístroja by mal uskutočniť kvalifikovaný elektrotechnik (so špecializáciu na člny).

## 2.3 Bezpečnosť pri prevádzke zariadenia



### VÝSTRAHA!

Dodržiavajte nasledovné základné bezpečnostné pokyny pri používaní elektrických zariadení na ochranu pred:

- úrazom elektrickým prúdom
  - nebezpečenstvom požiaru
  - poraneniami
- Zariadenie používajte len vtedy, keď kryt a vedenia nie sú poškodené.
  - Dbajte na to, aby vstup a výstup vzduchu prístroja nebol zakrytý.
  - Dbajte na dostatočné vetranie. Menič napätia vytvára stratové teplo, ktoré sa musí odvádzať.
  - Pri práci na zariadení vždy prerušte prívod elektrického prúdu.

## 3 Obsah dodávky

Množstvo	Označenie
1	Menič napätia
1	230 V prípojný kábel
4	Montážne držiaky
1	Montážny plech
2	Káblové koncovky
1	Návod na obsluhu



## 4 Príslušenstvo

Dostupné ako príslušenstvo (nie je súčasťou dodávky):

Označenie	Č. výrobu
Diaľkové ovládanie MCR9	9600000091

V prípade otázok týkajúcich sa príslušenstva sa obráťte na vášho servisného partnera.

## 5 Cieľová skupina tohto návodu

kap. „Pripojenie meniča napätia“ na strane 246 je určená výlučne pre odborníkov, ktorí sú oboznámení s príslušnými smernicami VDE.

Všetky ostatné kapitoly sú určené aj pre používateľa prístroja.

## 6 Používanie v súlade s určením



### VÝSTRAHA!

Menič napätia sa nesmie používať vo vozidlách, v ktorých je kladný pól batérie spojený s kostrou.

Meniče napätia PP1002, PP1004, PP2002 a PP2004 slúžia na napájanie 230 V spotrebičov napätím na 12 V alebo 24 V zdroji napätia:

- **12 V:** PP1002 a PP2002
- **24 V:** PP1004 a PP2004

Meniče napätia sú určené na používanie v obytných automobiloch, úžitkových vozidlách a motorových a plachetnicových jachtách.

## 7 Technický opis

Meniče napätia PP1000 a PP2000 pozostávajú z dvoch funkčných jednotiek:

- Spínanie meniča napätia: generuje striedavé napätie 230 V z batériového napätia
  - **12 V:** PP1002 a PP2002
  - **24 V:** PP1004 a PP2004
- Sieťové prioritné spínanie: prepína automaticky medzi 230 V cudzím sieťovým napätím (napr. v campingu) a 230 V napätím generovaným batériou

Prioritu má cudzie sieťové napätie: Len keď už nie je prítomné externé napätie, výstupná zásuvka sa odpojí od externého napäťového okruhu a spojí sa napäťovým okruhom meniča napätia. Tak sa zabezpečí, že na výstupnej zásuvke je vždy prítomné 230 V napätie.

Z inverterovej prevádzky na napájanie prúdom miestnej siete:

Prepnutie z inverterovej prevádzky, pri ktorej sa z batériového napätia vytvára 230 V striedavé napätie, na napájanie prúdom miestnej siete sa uskutočňuje s oneskorením.

Zasunutím konektora do vonkajšej zásuvky (camping, prístav) sa inverter vypne s oneskorením cca 4 s. Po ďalších 2 s sa prepne miestny prúd. Tým sa pripojeným prístrojom poskytne čas na čisté vypnutie.

Z miestneho prúdu na inverterovú prevádzku:

Prepnutie z miestneho prúdu na inverterovú prevádzku sa tiež uskutočňuje s oneskorením.

Ak miestny prúd vypadne, inverter sa po 2 sekundách zapne.



### POZOR!

Pripojené prístroje by pri prepnutí mali byť vypnuté. Keďže 2 s nedostávajú napätie, musia sa prípadne znova zapnúť.

Menič napätia je vybavený tepelnou a elektrickou ochranou proti preťaženiu, ako aj ochranou proti nedostatočnému napätiu a prepätiu. Menič napätia sa vypína:

- keď je interná teplota meniča napätia príliš vysoká
- keď zaťaženie presiahne výkonové hodnoty, ktoré sú uvedené v technických údajoch
- keď je vstupné napätie príliš nízke alebo príliš vysoké

Na menič napätia možno pripojiť samostatne spotrebič alebo zásuvkový rozvádzač, aby bola palubná sieť s viacerými zásuvkami.

Prístroj je v stave pri dodaní vybavený galvanickým oddelením. Pre bezpečnú prevádzku viacerých spotrebičov je nevyhnutné, aby bol v zásuvkovom rozváždzacom obvode zabudovaný ochranný spínač (FI spínač) a aby bol v meniči napätia vložený uzemňovací mostík.



### POZNÁMKA

Pri pripojení prístrojom s elektrickým pohonom (napr. vŕtačka, chladnička atď.) si uvedomte, že potrebujú často vyšší výkon, ako je uvedený na typovom štítku.

Menič napätia sa môže zapínať manuálne alebo diaľkovým ovládaním.

Chladienie zabezpečuje ventilátor, ktorý je riadený závisle od zaťaženia.

## 7.1 Ovládacie prvky



### POZNÁMKA

Na obrázku je verzia pre Európu.

### Čelný pohľad (obr. 1, strane 3)

Č.	Opis
1	<b>Grid:</b> Táto LED svieti, keď je menič napätia napájaný externým 230 V sieťovým napätím; prioritní spínanie je aktívne.
2	Pripojenie pre externé 230 V napájanie napätím
3	Circuit Breaker: Poistka
4	230 V~ výstup
5	<b>POWER:</b> Táto LED svieti, keď je menič napätia zapnutý.
6	<b>OLP:</b> Táto LED svieti, keď pripojené spotrebiče prijímajú príliš veľa prúdu.
7	<b>UVP:</b> Táto LED svieti, keď je kapacita batérie príliš nízka.
8	<b>OVP:</b> Táto LED svieti, keď je vstupné napätie príliš vysoké.

**Zadný pohľad (obr. 2, strane 3)**

Č.	Opis
1	Hlavný spínač
2	Pripojenie pre diaľkové ovládanie MCR9
3	Pripojenie pre externý spínací kontakt
4	Ukostrenie
5	Ventilátor
6	Mínusová svorka
7	Plusová svorka

## 8 Upevnenie a pripojenie meniča napätia

### 8.1 Upevnenie meniča napätia

**VÝSTRAHA!**

- Dbajte na bezpečné umiestnenie!  
Prístroj nainštalujte bezpečne a upevnite ho tak, aby
  - sa neprevrátil alebo nespadol
  - sa počas jazdy nemohol pohybovať
- Prístroj zaistite tak, aby deti nemali k nemu prístup. Môžu hroziť nebezpečenstvá, ktoré deti nedokážu rozpoznať!

Menič napätia môžete upevniť priloženými držiakmi.

Pri výbere miesta montáže dodržiavajte nasledovné pokyny:

- Prístroj **nepoužívajte** v oblastiach ohrozených výbuchom
  - vo vlhkom alebo mokrom prostredí
  - v prašnom prostredí
  - v prostredí so zápalnými materiálmi
  - vo výbušnom prostredí
- Prístroj nevystavujte zdrojom tepla (slnečné žiarenie, kúrenie atď.). Zabráňte ďalšiemu zohrievaniu prístroja.
- Rešpektujte dĺžku káblov a zvolte miesto montáže v blízkosti napájacej batérie.

- Zvoľte dobre vetrané miesto montáže.  
Pri inštalácii v malých uzavretých priestoroch by mala byť zabezpečená ventilácia.
- Dbajte na to, aby vstup pre vzduch na čelných stranách meniča napätia zostal voľný.
- Zvoľte montážnu plochu, ktorá je rovná a dostatočne pevná.

Upevnite menič napätia nasledovne (obr. **5**, strane 4):

**POZOR!**

Pred vytvorením otvorov zabezpečte, aby sa nepoškodili elektrické káble alebo iné časti vozidla vŕtaním, pílením alebo pilovaním.

- Pripevnite vždy dva držiaky na ľavé a pravé dolné rebro.  
Následne môžete držiaky ľubovoľne posunúť.
- Priskrutkujte menič napätia tak, že do otvorov v držiakoch zaskrutkujete vždy po jednej skrutke.

## 8.2 Pripojenie meniča napätia



### VÝSTRAHA!

Pripojenie meniča napätia smú vykonávať výlučne odborné firmy s príslušným osvedčením.

Nasledovné informácie sú adresované odborným pracovníkom, ktorí sú oboznámení s príslušnými smernicami a bezpečnostnými opatreniami.

Pri elektrickom zapojení dodržiavajte nasledovné bezpečnostné pokyny:



### POZOR! Nebezpečenstvo skratu!

- Pri práci na vozidle vždy odpojte napájaciu batériu od kostry.
- Odpojte 230 V vonkajšie napájanie obytného automobilu.
- Ak sa vedenia musia viesť cez plechové steny alebo iné steny s ostrými hranami, použite ochranné rúrky, príp. priechodky.
- Neumiestňujte voľné alebo ostro lomené vedenia na elektricky vodivé materiály (kovy).
- Dobré upevnite vodiče.
- Neťahajte vedenia.
- Nevedzte vedenia sieťového napätia 230 V a jednosmerného napätia 12/24 V spoločne v jednom kanáli (ochranná rúrka).
- Vedenia uložte tak, aby nehrozilo nebezpečenstvo zakopnutia a aby bolo vylúčené poškodenie kábla.



### VÝSTRAHA! Ohrozenie života zasiahnutím elektrickým prúdom!

Ak chcete na menič napätia pripojiť viac ako jeden spotrebič a za tým účelom vytvoriť zásuvkový rozdeľovací obvod, musíte zabudovať ochranný spínač (FI spínač) a do meniča napätia vložiť uzemňovací mostík, pozri kap. „Pripojenie viacerých spotrebičov“ na strane 248.

### Uzemnenie meniča napätia

- Menič napätia (obr. **2** 4, strane 3) spojte s kostrou vozidla.

## Pripojenie meniča napätia na batériu



### POZNÁMKA

Pri odpojení batérie nezabudnite, že všetky dočasné pamäte pripojených spotrebičov stratia svoje uložené údaje.



### POZOR!

Dbajte na správne zapojenie pólov. Pri zámene kladného a záporného pólu sa môže prístroj poškodiť.

- Pripojovaciu svorku červeného prípojného kábla batérie spojte s kladnou svorkou (obr. **2** 7, strane 3) meniča napätia.
- Pripojovaciu svorku čierneho prípojného kábla batérie spojte so zápornou svorkou (obr. **2** 6, strane 3) meniča napätia.
- Skontrolujte spojenie, či je kontakt bezpečný. Prípadne je potrebné skrutkové spojenia neskôr ešte raz dotiahnuť.



### POZNÁMKA

Náboj interných kondenzátorov môže spôsobiť pri pripojení iskrenie.

- Spojte červený prípojný kábel batérie s kladným pólom batérie.
- Spojte čierny prípojný kábel batérie so záporným pólom batérie.

## Pripojenie meniča napätia k 230 V sieťovej prípojke

- Zasuňte 230 V prípojný kábel do prípojky pre 230 V napájanie napätím meniča napätia (obr. **1** 2, strane 3).
- Spojte 230 V prípojný kábel s 230 V zásuvkou inštalovanou vo vozidle.

## Pripojenie diaľkového ovládania k meniču napätia

- Menič napätia vypnite.
- Koniec kábla diaľkového ovládania zasuňte do prípojky (obr. **2** 2, strane 3).
- Hlavný vypínač (obr. **2** 1, strane 3) nastavte na „Remote“.

## Pripojenie externého spínacieho konatktu k meniču napätia

- Menič napätia vypnite.
- Externý spínací kontakt (napájanie napätím z meniča napätia) pripojte podľa schémy zapojenia (obr. **3**, strane 3) k portu Remote (obr. **2** 3, strane 3).
- Hlavný vypínač (obr. **2** 1, strane 3) nastavte na „Remote“.



### POZNÁMKA

Keď chcete používať externý spínací kontakt s vlastným napájaním napätím, napr. zapalovanie, musíte medzi to zapojiť vhodné relé.

## 8.3 Pripojenie viacerých spotrebičov



### VÝSTRAHA! Ohrozenie života zasiahnutím elektrickým prúdom!

Ak chcete na menič napätia pripojiť viac ako jeden spotrebič a za tým účelom vytvoriť zásuvkový rozdeľovací obvod, musíte zabudovať ochranný spínač (FI spínač) a do meniča napätia vložiť uzemňovací mostík. Uzemňovací mostík smie zapájať len odborný personál, ktorý je oboznámený s príslušnými smernicami VDE.

Prístroj je v stave pri dodaní vybavený galvanickým oddelením. Pre bezpečnú prevádzku viacerých spotrebičov je nevyhnutné, aby bol v zásuvkovom rozdeľovacom obvode zabudovaný ochranný spínač (FI spínač), pozri príklad schémy zapojenia obr. **6**, strane 5.



Legenda príkladu schémy zapojenia:

<b>Pol. na obr. 6, strane 5</b>	<b>Vysvetlenie</b>
1	230 V~ zdroj napätia
2	Ďalšie prístroje, napr. nabíjačka batérií, chladnička
3	DC zdroj napätia (batéria)
4	Menič napätia
5	Vložený uzemňovací mostík (stav pri dodaní: nenasadený, znázornené čiarkovanie)
6	Ochranný spínač (FI spínač)
7	Zásuvkový rozdeľovací obvod pre spotrebiče

- Zabudujte FI spínač do zásuvkového rozdeľovacieho obvodu.

**Vloženie uzemňovacieho mostíka (obr. 4, strane 4)****VÝSTRAHA! Ohrozenie života zasiahnutím elektrickým prúdom!**

Uzemňovací mostík smie zapájať len odborný personál, ktorý je oboznámený s príslušnými smernicami VDE.

**POZNÁMKA**

V stave pri dodaní je konektor pre uzemňovací mostík vždy zasunutý na mieste zasunutia „FG“ (izolovaný menič napätia).

- Vyskrutkujte horné štyri upevňovacie skrutky **(2)** na čelnej strane prístroja inbusovým kľúčom.
- Odoberte veko **(1)**.

**POZOR!**

Uzemňovací mostík sa zmení s miestami zasunutia „FG“ a „N + FG“. Iné miesta zasunutia nemeňte, ináč sa môže prístroj poškodiť.

- Vytiahnite konektor **(3)** z miesta zasunutia „FG“ **(4)**.
- Zasuňte konektor **(3)** na miesto zasunutia „N + FG“ **(5)**.
- Nasadte znova veko prístroja **(1)** a upevnite ho pomocou skrutiek **(2)**.

## 9 Používanie meniča napätia



### POZOR!

**Ak nie je k dispozícii ochranný spínač:** Keď je menič napätia pripojený na externé sieťové napätie, 230 V výstupná zásuvka je uzemnená. Ak nie je prítomné externé sieťové napätie, menič napätia je spojený len s batériou (jednosmerný prúd). V takomto prípade nie je 230 V výstupná zásuvka uzemnená, ale je zaistená ochrannou izoláciou.



### POZOR! Nebezpečenstvo skratu!

Zapnite najprv menič napätia a až potom spotrebič.

Pri používaní meniča napätia dodržiavajte nasledovné pokyny:

- Ak napätie batérie počas prevádzky klesne pod výstražnú hodnotu (pozri „Alarm nedostatočného napätia“ v kap. „Technické údaje“ na strane 255), zaznie výstražný tón a LED „UVP“ (obr. **1** 7, strane 3) sa rozsvieti.
  - Ak napätie batérie počas prevádzky klesne pod vypínaciu hodnotu (pozri „Vypnutie pri poklese napájacieho napätia“ v kap. „Technické údaje“ na strane 255), menič napätia sa vypne.
  - Pri príliš silnom zohriatí sa menič napätia vypne a LED „OLP“ obr. **1** 6, strane 3) sa rozsvieti.  
Po ochladení sa menič napätia automaticky znova zapne.
  - Pri prevádzke meniča napätia dlhší čas a s väčším zaťažením sa odporúča naštartovať motor, aby sa batéria vozidla znova nabila.
- Pripojte váš spotrebič na 230 V výstup (obr. **1** 4, strane 3).  
Môžete pripojiť aj zásuvkový rozvádzač.

### 9.1 Používanie meniča napätia bez diaľkového ovládania

- Nastavte hlavný vypínač (obr. **2** 1, strane 3) na
  - „ON“, čím menič napätia **zapnete**
  - „OFF“, čím menič napätia **vypnete**
- ✓ LED „POWER“ svieti, keď je menič napätia zapnutý.

## 9.2 Používanie meniča napätia s diaľkovým ovládaním



### POZNÁMKA

Rešpektujte návod na používanie, ktorý je súčasťou dodávky diaľkového ovládania.

- Nastavte hlavný spínač (obr. **2** 1, strane 3) do polohy „Remote“.
- Menič napätia zapnite alebo vypnite
  - tlačidlami na diaľkovom ovládaní **alebo**
  - externým spínacím kontaktom
- ✓ LED „POWER“ svieti, keď je menič napätia zapnutý.

## 10 Ošetrovanie a čistenie meniča napätia



### POZOR!

Na čistenie nepoužívajte ostré alebo tvrdé predmety, pretože by mohli poškodiť výrobok.

- Výrobok príležitostne vyčistite mierne navlhčenou handričkou.

## 11 Odstraňovanie porúch

Chyba	Príčina	Odstránenie
Chýba výstupné napätie	Nie je kontakt s batériou	Skontrolujte kontakt a káble. Príp. zapnite zapaľovanie.
	Tepelné preťaženie	Vypnite spotrebič. Menič napätia nechajte vychladnúť a zabezpečte lepšie vetranie. Znížte príp. trvalé zaťaženie.
	Vstupné napätie príliš vysoké.	Skontrolujte vstupné napätie na meniči napätia a porovnajte ho s technickými údajmi meniča napätia.
	Chybná poistka (v meniči napätia alebo vo vozidle)	Výmena poistky za poistku s rovnakou špecifikáciou.
	Chybný prístroj	Vymeňte prístroj.
Prístroj sa cyklicky zapína a vypína	Trvalé zaťaženie príliš vysoké	Zredukujte zaťaženie.
Pri zapnutí spotrebičov sa menič napätia vypne	Zapínací prúd je príliš vysoký	Porovnajte výkon spotrebičov s maximálnym výkonom meniča napätia.
Príliš nízke výstupné menovité napätie	Napätie batérie je nižšie ako vypínacia hodnota (pozri „Alarm nedostatočného napätia“ v kap. „Technické údaje“ na strane 255)	Nabite batériu (naštartujte motor).



### POZNÁMKA

Výstupné napätie sa môže správne odmerať len meracím prístrojom True-RMS.

## 12 Záruka

Platí zákonom stanovená záručná lehota. Ak by bol výrobok chybný, obráťte sa na pobočku vo vašej krajine (adresy pozri na zadnej strane návodu) alebo na vášho špecializovaného predajcu.

Ak žiadate o vybavenie opravy alebo nárokov vyplývajúcich zo záruky, musíte priložiť nasledovné podklady:

- kópiu faktúry s dátumom kúpy,
- dôvod reklamácie alebo opis chyby.

## 13 Likvidácia

- Obalový materiál podľa možnosti odovzdajte do príslušného odpadu na recykláciu.



Keď výrobok definitívne vyradíte z prevádzky, informujte sa v najbližšom recyklačnom stredisku alebo u vášho špecializovaného predajcu o príslušných predpisoch týkajúcich sa likvidácie.

## 14 Technické údaje



### POZNÁMKA

Pri teplote okolia, ktorá je vyššia ako 40 °C (napr. priestory motora alebo vykurovania, priame slnečné žiarenie), sa trvalý výkon uvedený v technických údajoch znižuje.

Pre všetky meniče napätia platia nasledovné technické údaje:

	<b>PP1002 PP2002</b>	<b>PP1004 PP2004</b>
Výstupné napätie:	230 V <sub>~</sub> <sup>L</sup>	
Výstupná frekvencia:	50 Hz ± 2 Hz	
Príkion naprázdno:	< 1,5 A	< 1,5 A
Účinnosť pri trvalom zaťažení:	> 85 %	
Rozsah vstupného napätia:	11 – 15 V <sub>===</sub>	22 – 30 V <sub>===</sub>
Sieťové vstupné napätie:	230 V <sub>~</sub>	
Alarm nedostatočného napätia:	11 V	22 V
Vypnutie pri poklese napájacieho napätia:	10,5 V	21 V
Opätovné zapnutie po vypnutí následkom nedostatočného napätia:	12,2 V	24,4 V
Vypnutie pri nadmernom napájacom napätí:	15,5 V	30,5 V
Vypnutie pri preťažení:	130 %	
Vypnutie pri nadmernej teplote:	80 °C	
Poistka prioritného spínania.	10 A	
Teplota okolia – Skladovanie: – Prevádzka:	–30 °C – +70 °C 0 °C – +40 °C	
Vlhkosť vzduchu – Skladovanie: – Prevádzka:	20 % – 90 % 10 % – 95 %	
Skúška/certifikát:		

	<b>PP1002</b>	<b>PP1004</b>
Trvalý výstupný výkon:	1000 W	
Výstupný výkon pri maximálnom zaťažení:	2000 W	
DC poistka:	30 A x 4	15 A x 4
Rozmery Š x D x V:	176 x 338 x 95 mm	
Hmotnosť:	3,5 kg	

	<b>PP2002</b>	<b>PP2004</b>
Trvalý výstupný výkon:	2000 W	
Výstupný výkon pri maximálnom zaťažení:	4000 W	
DC poistka:	30 A x 8	15 A x 8
Rozmery Š x D x V:	176 x 443 x 95 mm	
Hmotnosť:	5 kg	



**Před zahájením instalace a uvedením do provozu si pečlivě přečtěte tento návod a uschovejte jej. V případě dalšího prodeje výrobku předejte návod novému uživateli.**

## Obsah

1	Vysvětlení symbolů . . . . .	258
2	Všeobecné bezpečnostní pokyny . . . . .	258
3	Obsah dodávky . . . . .	259
4	Příslušenství . . . . .	260
5	Cílová skupina tohoto návodu . . . . .	260
6	Použití v souladu se stanoveným účelem . . . . .	260
7	Technický popis . . . . .	261
8	Upevnění a připojení měniče . . . . .	264
9	Používání měniče . . . . .	268
10	Čištění a péče o měnič . . . . .	269
11	Odstraňování závad . . . . .	270
12	Záruka . . . . .	271
13	Likvidace . . . . .	271
14	Technické údaje . . . . .	272

# 1 Vysvětlení symbolů



## VÝSTRAHA!

**Bezpečnostní pokyny:** Následkem nedodržení pokynů mohou být smrtelná nebo vážná zranění.



## POZOR!

Nedodržení pokynů může mít za následek hmotné škody a narušení funkce výrobku.



## POZNÁMKA

Doplňující informace týkající se obsluhy výrobku.

# 2 Všeobecné bezpečnostní pokyny

V následujících případech nepřebírá výrobce žádné záruky za škody:

- Chybná montáž nebo chybné připojení
- Poškození výrobku působením mechanických vlivů a přepětí
- Změna výrobku bez výslovného souhlasu výrobce
- Použití k jiným účelům, než jsou popsány v tomto návodu

## 2.1 Obecná bezpečnost



### VÝSTRAHA!

- Používejte přístroj pouze v souladu s jeho určením tak.
- Údržbu a opravy smí provést pouze specializované provozovny, které jsou seznámeny s nebezpečími, která jsou s touto činností spojena, a s příslušnými předpisy.
- Osoby, které z důvodu svých fyzických, sensorických nebo duševních schopností, nebo své nezkušenosti nebo neznalosti, nejsou schopny bezpečně používat výrobek, nesmějí tento výrobek používat bez dohledu odpovědné osoby nebo bez jejího poučení.
- **Elektrické přístroje nejsou hračky pro děti!** Přístroj používejte a skladujte mimo dosah dětí.

## 2.2 Bezpečnost při instalaci přístroje



### VÝSTRAHA!

- Instalaci přístroje smí provést výhradně specializovaná provozovna, která je seznámena s příslušnými směrnicemi a bezpečnostními předpisy.
- V případě nesprávné instalace elektrických přístrojů na lodích může dojít ke korozi lodi. Instalaci zařízení smí provádět výhradně specializovaný (lodní) elektrikář.

## 2.3 Bezpečnost za provozu přístroje



### VÝSTRAHA!

Při použití elektrických přístrojů dodržujte následující zásadní bezpečnostní opatření k ochraně před následujícími nebezpečími:

- zasažení elektrickým proudem
  - nebezpečí požáru
  - úrazy
- Přístroj používejte pouze za předpokladu, že jsou kryt přístroje a rozvody nepoškozené.
  - Dbejte, aby nedošlo k zakrytí vstupů a výstupů vzduchu přístroje.
  - Pamatujte na dostatečný přívod vzduchu. Měnič generuje ztrátové teplo, které musí být odváděno.
  - Při práci na přístroji vždy přerušte napájení elektrickým proudem.

## 3 Obsah dodávky

Množství	Název
1	Měnič
1	Přívodní kabel 230 V
4	Montážní držáky
1	Montážní plech
2	Kabelové koncovky
1	Návod k obsluze

## 4 Příslušenství

Dodávané příslušenství (není součástí dodávky):

Název	Obj. č.
Dálkový ovladač MCR9	9600000091

V případě dotazů týkajících se příslušenství kontaktujte svého servisního partnera.

## 5 Cílová skupina tohoto návodu

Část kap. „Připojení měniče“ na straně 265 je určena výhradně odborníkům, kteří jsou seznámeni s odpovídajícími směrnicemi VDE.

Všechny ostatní kapitoly jsou určeny uživateli přístroje.

## 6 Použití v souladu se stanoveným účelem



### VÝSTRAHA!

Měnič nesmíte používat ve vozidlech, ve kterých je kladný pól baterie spojen se šasi.

Měniče PP1002, PP1004, PP2002 a PP2004 slouží k napájení spotřebičů 230 V z napájení měniče 12 V nebo 24 V:

- **12 V:** PP1002 a PP2002
- **24 V:** PP1004 a PP2004

Měniče jsou vhodné k použití v obytných automobilech, užitkových vozidlech a v motorových a bezmotorových jachtách.

## 7 Technický popis

Měníče PP1000 a PP2000 jsou provedeny ze dvou funkčních jednotek:

- Zapojení měniče: Generuje střídavé napětí 230 V z bateriového napětí
  - **12 V:** PP1002 a PP2002
  - **24 V:** PP1004 a PP2004
- Síťové prioritní zapojení: Automatické přepínání z externího síťového napájení 230 V (např. v kempu) a z napětí 230 V, generovaného baterií

Prioritu má externí síťové napájení: Pouze v případě, kdy již není externí napájení dostupné, bude výstupní zásuvka odpojena od externího napěťového okruhu a bude spojena s napěťovým okruhem měniče. Tím je zajištěno, aby bylo na výstupní zásuvce vždy napětí 230 V.

Z režimu invertoru do režimu napájení z pevniny:

Přepnutí z režimu invertoru, při kterém je střídavé napětí 230 voltů generováno z napětí baterie, do napájení z pevniny, probíhá s prodlevou.

Po zapojení zástrčky do vnější zásuvky (v kempu, v přístavu) bude invertor vypnut s prodlevou cca 4 s. Za další 2 s je zapojen proud z pevniny. Tím je připojeným přístrojům poskytnuta doba k čistému vypnutí.

Z proudu z pevniny do režimu invertoru:

Přepnutí proudu z pevniny do režimu invertoru je rovněž provedeno s prodlevou.

V případě výpadku proudu z pevniny dojde za 2 vteřiny k přepnutí na invertor.



### POZOR!

Připojené přístroje je vhodné při přepínání vypnout. Protože na 2 s nebude dostupné žádné napětí, musíte je případně znovu zapnout.

Měnič je vybaven tepelnou a elektrickou ochranou proti přetížení a ochranou proti přepětí a podpětí. Měnič se vypíná za těchto podmínek:

- Interní teplota měniče je příliš vysoká
- Zatížení překročí výkon, který je uveden v technických údajích
- Vstupní napětí je příliš nízké nebo vysoké

K měniči můžete připojit jednotlivý spotřebič nebo zásuvkovou rozbočku tak, abyste vytvořili palubní síť 230 V s několika zásuvkami.

Přístroj je po dodání vybaven galvanickým odpojovačem. K bezpečnému provozu několika spotřebičů je nezbytně nutné, aby byl v zásuvkovém obvodu instalován ochranným spínač (spínač FI) a do měniče musí být zapojen zemnicí můstek.

**POZNÁMKA**

Pamatujte při připojování přístrojů s elektrickým pohonem (např. vrtačky, chladničky apod.), že tyto přístroje při rozběhu často vyžadují vyšší výkon než je uvedeno na typovém štítku.

Měnič můžete zapnout ručně nebo dálkovým ovladačem.

Chlazení je provedeno pomocí ventilátoru, ovládaného podle zatížení.

## 7.1 Ovládací prvky



### POZNÁMKA

Vyobrazena je verze pro kontinentální Evropu.

### Přední strana (obr. 1, strana 3)

Č.	Popis
1	<b>Grid:</b> Tato kontrolka LED svítí, pokud je měnič napájen z externího síťového napětí 230 V; prioritní zapojení je aktivní.
2	Přípojka externího napájení 230 V
3	Circuit Breaker: Pojistka
4	Výstup 230 V~
5	<b>POWER:</b> Tato kontrolka LED svítí, pokud je měnič zapnutý.
6	<b>OLP:</b> Tato kontrolka LED svítí, pokud připojené spotřebiče odebírají příliš velké množství proudu.
7	<b>UVP:</b> Tato kontrolka LED svítí, pokud je kapacita baterie příliš slabá.
8	<b>OVP:</b> Tato kontrolka LED svítí, pokud je vstupní napětí příliš vysoké.

### Zadní strana (obr. 2, strana 3)

Č.	Popis
1	Hlavní vypínač
2	Přípojka dálkového ovladače MCR9
3	Přípojka externího spínacího kontaktu
4	Ukostření
5	Ventilátor
6	Svorka se záporným napětím
7	Svorka s kladným napětím

## 8 Upevnění a připojení měniče

### 8.1 Upevnění měniče



#### VÝSTRAHA!

- Pamatujte na bezpečnou stabilitu! Umístěte přístroj na bezpečné místo a upevněte jej tak, aby:
  - Nemohl spadnout ani se převrátit
  - Nebyl možný pohyb za jízdy
- Zajistěte přístroj tak, aby k němu neměly přístup děti. Mohou vzniknout nebezpečí, která děti nedokážou rozpoznat!

Měnič můžete upevnit pomocí dodaných držáků.

Při výběru umístění dodržujte následující pokyny:

- **Nepoužívejte přístroj** za těchto podmínek:
  - Vlhké nebo mokré prostředí
  - Prašné prostředí
  - Okolím s hořlavými materiály
  - Prostory s nebezpečím exploze
- Nevystavujte přístroj zdroji tepla (sluneční záření, topení apod.). Zabráňte tak dalšímu zahřívání přístroje.
- Pamatujte na délky kabelů a vyberte místo montáže v blízkosti napájení.
- Vyberte dobře větrané místo montáže.  
V případě instalace v malých uzavřených prostorech musí být zajištěn přívod a odvod vzduchu.
- Pamatujte, aby zůstal vstup vzduchu na přední straně měniče volný.
- Vyberte takovou montážní plochu, která je rovná a má dostatečnou pevnost.

Upevněte měnič takto (obr. **5**, strana 4):



#### POZOR!

Dříve než provedete jakékoliv otvory zkontrolujte, zda nebudou vrtáním, řezáním a pilováním poškozeny elektrické kabely nebo jiné součásti vozidla.

- Zacvakněte vždy dva držáky do spodní lišty vlevo a vpravo. Držáky můžete následně libovolně přesouvat.
- Přišroubujte měnič vždy jedním šroubem v otvoru v držácích.



## 8.2 Připojení měniče



### VÝSTRAHA!

Připojení měniče smí provést výhradně specializovaná firma s potřebnými znalostmi. Následující informace jsou určeny odborníkům, kteří jsou seznámeni s příslušnými platnými směrnicemi a bezpečnostními předpisy.

Při připojování elektrických systémů dodržujte následující bezpečnostní pokyny:



### POZOR! Nebezpečí zkratu!

- Při práci na vozidle vždy odpojte přípojku kostry od napájecí baterie.
- Odpojte externí napájení 230 V od obytného automobilu.
- Pokud musejí být rozvody vedeny plechovými stěnami nebo jinými stěnami s ostrými hranami, použijte chráničky nebo průchodky.
- Nepokládejte rozvody volně nebo ostře zalomené na elektricky vodivé materiály (kov).
- Vodiče dobře upevněte.
- Netahejte za rozvody.
- Nepokládejte síťové rozvody 230 V a rozvody stejnosměrného proudu 12/24 V společně ve stejné průchodce.
- Instalujte vodiče tak, aby nehrozilo nebezpečí zakopnutí a nemohlo dojít k poškození kabelů.



### VÝSTRAHA! Ohrožení života elektrickým proudem!

Pokud si přejete připojit k měniči více než jeden spotřebič, a navíc instalovat zásuvkový obvod, musíte instalovat bezpečnostní vypínač (vypínač FI) a instalovat do měniče zemnicí můstek, viz kap. „Připojení více spotřebičů“ na straně 267.

### Uzemnění měniče

- ▶ Propojte přípojku kostry měniče (obr. **2** 4, strana 3) ke kostře vozidla.

## Připojení měniče k baterii



### POZNÁMKA

Pamatujte, že při odpojování dojde v dočasné paměti připojených spotřebičů ke ztrátě uložených dat.



### POZOR!

Pamatujte na správné pólování. Pokud dojde k záměně přípojky plus a minus, může dojít k poškození přístroje.

- Připojte přívodní svorku červeného kabelu baterie ke svorce plus (obr. **2** 7, strana 3) na měniči.
- Připojte přívodní svorku černého kabelu baterie ke svorce minus (obr. **2** 6, strana 3) na měniči.
- Zkontrolujte správný kontakt připojení. Případně budete muset znovu utáhnout šroubení.



### POZNÁMKA

Z důvodu nabití interních kondenzátorů může dojít při připojování k jiskření.

- Propojte červený přívodní kabel baterie s kladným pólem baterie.
- Propojte černý přívodní kabel baterie se záporným pólem baterie.

## Připojení měniče k síťové přípojce 230 V

- Zapojte přívodní kabel 230 V do přípojky napájecího napětí 230 V měniče (obr. **1** 2, strana 3).
- Propojte přívodní kabel 230 V se zásuvkou 230 V instalovanou ve vozidle.

## Připojení dálkového ovládání k měniči

- Případně vypněte měnič.
- Zapojte koncovku kabelu dálkového ovládání do přípojky (obr. **2** 2, strana 3).
- Přepněte hlavní vypínač (obr. **2** 1, strana 3) do polohy „Remote“.

## Připojení externího spínacího kontaktu k měniči

- Případně vypněte měnič.
- Připojte externí spínací kontakt (napájení z měniče) podle schématu zapojení (obr. **3**, strana 3) k portu Remote (obr. **2** 3, strana 3).
- Přepněte hlavní vypínač (obr. **2** 1, strana 3) do polohy „Remote“.



### POZNÁMKA

Pokud si přejete používat externí spínací kontakt s vlastním napájením, např. ze zapalování, musíte zapojit vhodné relé.

## 8.3 Připojení více spotřebičů



### VÝSTRAHA! Ohrožení života elektrickým proudem!

Pokud si přejete připojit k měniči více než jeden spotřebič, a navíc instalovat zásuvkový obvod, musíte instalovat bezpečnostní vypínač (vypínač FI) a instalovat do měniče zemnicí můstek. Zemnicí můstky smí připojit pouze odborník, který je seznámen s příslušnými směrnicemi VDE.

Přístroj je po dodání vybaven galvanickým odpojovačem. K bezpečnému provozu několika spotřebičů je nezbytně nutné, aby byl v zásuvkovém obvodu instalován ochranný spínač (spínač FI), viz příklad schématu zapojení obr. **6**, strana 5.

Legenda k příkladu schématu zapojení:

Poz. na obr. <b>6</b> , strana 5	Vysvětlení
1	Zdroj napětí 230 V~
2	Další přístroje jako např. nabíječka baterie, chladnička
3	Zdroj napětí DC (baterie)
4	Měnič
5	Zapojený zemnicí můstek (stav při dodání: není zapojen, zobrazeno čárkovaně)
6	Ochranný vypínač (vypínač FI)
7	Zásuvkový obvod pro spotřebič

- Instalujte vypínač FI do zásuvkového obvodu.

## Zapojení zemnicího můstku (obr. 4, strana 4)



### VÝSTRAHA! Ohrožení života elektrickým proudem!

Zemnicí můstky smí připojit pouze odborník, který je seznámen s příslušnými směrniciemi VDE.



### POZNÁMKA

Při dodání je zástrčka pro zemnicí můstek vždy zapojena do slotu „FG“ (izolované střídavé napětí).

- Vyšroubujte čtyři upevňovací šrouby (2) na přední straně přístroje klíčem na vnitřní šestihran.
- Sundejte kryt (1).



### POZOR!

Přepojení zemnicího můstku je provedeno ve slotech „FG“ a „N + FG“. Jiné sloty neměňte, může dojít k poškození přístroje.

- Odpojte konektor (3) ze slotu „FG“ (4).
- Zapojte konektor (3) do slotu „N + FG“ (5).
- Opět nasadte kryt přístroje (1) a upevněte jej pomocí šroubů (2).

## 9 Používání měniče



### POZOR!

**Pokud není dostupný ochranný spínač:** Pokud je měnič připojen k externímu síťovému napájení, je výstupní zásuvka 230 V uzemněna. Pokud není připojeno externí síťové napájení, je měnič spojen pouze s baterií (stejnoseměrný proud). V tomto případě je není výstupní zásuvka 230 V uzemněna, ale je chráněna ochrannou izolací.



### POZOR! Nebezpečí zkratu!

Nejprve zapojte měnič, teprve potom spotřebič.

Při používání měniče dodržujte následující pokyny:

- Pokud poklesne napětí baterie za provozu pod hodnotu ke generování výstrahy (viz „Výstraha při podpětí“ v části kap. „Technické údaje“ na straně 272), zazní výstražný signál a LED „UVP“ (obr. 1 7, strana 3) svítí.

- Pokud klesne napětí baterie pod hodnotu vypnutí (viz „vypnutí při podpětí“ v části kap. „Technické údaje“ na straně 272), měnič se vypne.
  - V případě přílišného zahřívání se měnič vypne a svítí kontrolka LED „OLP“ (obr. **1** 6, strana 3).  
Po vychladnutí se měnič opět automaticky zapne.
  - Za delšího provozu měniče při vyšším zatížení doporučujeme nastartovat motor, abyste opět dobili baterii automobilu.
- Připojte spotřebič k výstupu 230 V (obr. **1** 4, strana 3).  
Můžete použít také rozvodný systém se zásuvkami.

## 9.1 Používání měniče bez dálkového ovládání

- Přepněte hlavní vypínač (obr. **2** 1, strana 3) do polohy
- „ON“, tím měnič **zapnete**
  - „OFF“, tím měnič **vypnete**
- ✓ Pokud je měnič zapnutý, svítí kontrolka LED „POWER“.

## 9.2 Použití měniče s dálkovým ovládáním



### POZNÁMKA

Dodržujte také návod k obsluze, který je součástí dodávky dálkového ovládání.

- Přepněte hlavní vypínač (obr. **2** 1, strana 3) do polohy „REMOTE“.
- Zapněte nebo vypněte měnič
- tlačítky na dálkovém ovládání **nebo**
  - externím spínacím kontaktem
- ✓ Pokud je měnič zapnutý, svítí kontrolka LED „POWER“.

# 10 Čištění a péče o měnič



### POZOR!

Nepoužívejte k čištění žádné tvrdé nebo ostré předměty, může dojít k poškození výrobku.

- Příležitostně vyčistěte výrobek zvlhčenou utěrkou.

# 11 Odstraňování závad

Závada	Příčina	Odstranění
Nulové výstupní napětí	Chybí kontakt s baterií	Zkontrolujte kontakt a kabel. Případně zapněte zapalování.
	Tepelné přetížení	Odpojte spotřebič. Nechte měnič vychladnout a zajistěte lepší odvětrávání. Případně snižte trvalé zatížení.
	Vstupní napětí je příliš vysoké.	Zkontrolujte vstupní napětí měniče a porovnejte je s technickými údaji měniče.
	Vadná pojistka (v měniči nebo ve vozidle)	Výměna pojistky novou pojistkou o stejné specifikaci.
	Přístroj je vadný	Vyměňte přístroj.
Přístroj se cyklicky zapíná/vypíná	Příliš vysoké trvalé zatížení	Snižte zatížení
Po zapnutí spotřebiče se měnič vypne	Příliš vysoký spínací proud	Porovnejte výkon spotřebiče s maximálním výkonem měniče.
Příliš nízké výstupní napětí	Napětí baterie je nižší než hodnota vypnutí (viz „Vypnutí v případě podpětí“ v části kap. „Technické údaje“ na straně 272)	Nabijte baterii (nastartujte motor).



## POZNÁMKA

Výstupní napětí můžete správně změřit pouze měřičem True-RMS.

## 12 Záruka

Na výrobek je poskytována záruka v souladu s platnými zákony. Zjistíte-li, že je výrobek vadný, zašlete jej do pobočky výrobce ve vaší zemi (adresy viz zadní strana tohoto návodu) nebo do specializovanému prodejci.

K vyřízení opravy nebo záruky nezapomeňte odeslat následující dokumenty:

- Kopii účtenky s datem zakoupení,
- Uvedení důvodu reklamace nebo popis vady.

## 13 Likvidace

► Obalový materiál likvidujte v odpadu určeném k recyklaci.



Jakmile výrobek zcela vyřadíte z provozu, informujte se v příslušných recyklačních centrech nebo u specializovaného prodejce o příslušných předpisech o likvidaci odpadu.

## 14 Technické údaje



### POZNÁMKA

V případě okolních teplot vyšších než 40 °C (např. ve strojovně motoru nebo ve vyhřívaných prostorách, přímé sluneční záření) se snižuje trvalý výkon uvedený v technických údajích.

Pro všechny měniče platí následující technické údaje:

	<b>PP1002 PP2002</b>	<b>PP1004 PP2004</b>
Výstupní napětí:	230 V $\sqrt{3}$	
Výstupní frekvence:	50 Hz $\pm$ 2 Hz	
Příkon při chodu naprázdno:	< 1,5 A	< 1,5 A
Účinnost při trvalém zatížení:	> 85 %	
Rozsah vstupního napětí:	11 – 15 V $\equiv$	22 – 30 V $\equiv$
Síťové vstupní napětí:	230 V $\sim$	
Výstraha při podpětí:	11 V	22 V
Vypnutí při podpětí:	10,5 V	21 V
Zapnutí po podpětí:	12,2 V	24,4 V
Odpojení při přepětí:	15,5 V	30,5 V
Vypnutí při přetížení:	130 %	
Vypnutí při přehřívání:	80 °C	
Pojistka prioritního zapojení:	10 A	
Okolní teplota – skladování: – provoz:	–30 °C – +70 °C 0 °C – +40 °C	
Vlhkost vzduchu – skladování: – provoz:	20 % – 90 % 10 % – 95 %	
Kontrola/certifikát:		



	<b>PP1002</b>	<b>PP1004</b>
Trvalý výstupní výkon:	1000 W	
Výstupní výkon ve špičkách:	2000 W	
Pojistka DC:	30 A x 4	15 A x 4
Rozměry Š x D x V:	176 x 338 x 95 mm	
Hmotnost:	3,5 kg	

	<b>PP2002</b>	<b>PP2004</b>
Trvalý výstupní výkon:	2000 W	
Výstupní výkon ve špičkách:	4000 W	
Pojistka DC:	30 A x 8	15 A x 8
Rozměry Š x D x V:	176 x 443 x 95 mm	
Hmotnost:	5 kg	

**Beépítés és üzembe vétel előtt gondosan olvassa el és őrizze meg ezt a használati útmutatót. Ha a terméket továbbadja, mellékelje hozzá a használati útmutatót is.**

## Tartalomjegyzék

1	Szimbólumok magyarázata . . . . .	275
2	Általános biztonsági információk . . . . .	275
3	Szállítási terjedelem . . . . .	277
4	Tartozékok . . . . .	277
5	Az útmutató célcsoportja . . . . .	277
6	Rendeltetésszerű használat . . . . .	278
7	Műszaki leírás . . . . .	278
8	Az inverter rögzítése és csatlakoztatása . . . . .	281
9	Az inverter használata . . . . .	286
10	Az inverter karbantartása és tisztítása . . . . .	287
11	Hibaelhárítás . . . . .	288
12	Szavatosság . . . . .	289
13	Ártalmatlanítás . . . . .	289
14	Műszaki adatok . . . . .	290

# 1 Szimbólumok magyarázata



## FIGYELMEZTETÉS!

**Biztonsági tudnivaló:** Az utasítás figyelmen kívül hagyása halált vagy súlyos sérülést okozhat.



## FIGYELEM!

Ha nem veszi figyelembe az információt, az anyagkárosodást eredményezhet, és káros kihatással lehet a termék működésére.



## MEGJEGYZÉS

Kiegészítő információk a termék kezelésével kapcsolatosan.

# 2 Általános biztonsági információk

A gyártó a bekövetkező károkért a következő esetekben nem vállal felelősséget:

- szerelési vagy csatlakozási hiba
- a termék mechanikai behatások és túlfeszültségek miatti sérülése
- a termék kifejezett gyártói engedély nélküli módosítása
- az útmutatóban leírt céloktól eltérő felhasználás

## 2.1 Általános biztonság



### FIGYELMEZTETÉS!

- A készüléket csak rendeltetésszerűen használja.
- A karbantartást és javítást csak olyan szakember végezheti, aki ismeri az ezzel kapcsolatos veszélyeket, illetve vonatkozó előírásokat.
- Azok a személyek (beleértve a gyermekeket is), akik fizikai, érzékszervi vagy szellemi képességeik, illetve tapasztalatlanságuk vagy tudatlanságuk miatt a terméket nem tudják biztonságosan használni, ezt a terméket nem használhatják felelős személy felügyelete vagy utasítása nélkül.
- **Az elektromos berendezések nem játékszerek!**  
Úgy tárolja és használja a készüléket, hogy gyermekek ne férhessenek hozzá.

## 2.2 Biztonság a készülék beszerelése során



### FIGYELMEZTETÉS!

- A készülék beszerelését kizárólag megfelelő szakképzettséggel rendelkező szakcégek végezhetik, amelyek ismerik az ezzel kapcsolatos veszélyeket, illetve alkalmazandó irányelveket és biztonsági óvintézkedéseket.
- Elektromos készüléke hajókon történő hibás beszerelése esetén korróziós sérülések léphetnek fel a hajón. A készülék beszerelését szakmailag felkészült (hajós) villanyszerelő végezze.

## 2.3 Biztonság a készülék üzemeltetése során



### FIGYELMEZTETÉS!

Elektromos készülékek használata előtt vegye figyelembe az alábbi alapvető biztonsági intézkedéseket az alábbi veszélyek elleni védelem érdekében:

- áramütés
  - tűzveszély
  - sérülések
- 
- A készüléket csak akkor üzemeltesse, ha a ház és a vezetékek sérülésmentesek.
  - Ügyeljen arra, hogy a készülék levegőbevezető és -kivezető nyílásai ne legyenek elfedve.
  - Gondoskodjon jó szellőzésről. Az inverter veszteségű hőtermel, amelyet el kell vezetni.
  - A készüléken végzendő munkák előtt mindig szakítsa meg az áramellátást.

## 3 Szállítási terjedelem

Mennyiség	Megnevezés
1	Inverter
1	230 V-os csatlakozókábel
4	Szerelő tartóelemek
1	Szerelőlemez
2	Kábelsaruk
1	Kezelési útmutató

## 4 Tartozékok

Tartozékként kapható (nincs mellékelve):

Megnevezés	Cikkszám
MCR9 távvezérlő	9600000091

A tartozékokra vonatkozó további kérdésekkel forduljon a szervizpartnerhez.

## 5 Az útmutató célcsoportja

A következő fejezet kizárólag a megfelelő VDE-irányelveket ismerő szakemberek számára szól: „Az inverter csatlakoztatása” fej., 282. oldal.

Az összes további fejezet a készülék felhasználóinak is szól.

## 6 Rendeltetésszerű használat



### FIGYELMEZTETÉS!

Az invertert nem szabad olyan járműben használni, amelynél az akkumulátor pluszpólusa a karosszériával össze van kötve.

A PP1002, PP1004, PP2002 és a PP2004 inverterek 230 V fogyasztók 12 V, vagy 24 V feszültségellátásról történő ellátására szolgálnak:

- **12 V:** PP1002 és PP2002
- **24 V:** PP1004 és PP2004

Az inverterek lakókocsikban, haszonjárművekben, motoros és vitorlás jachtokon történő felhasználásra alkalmasak.

## 7 Műszaki leírás

A PP1000 és PP2000 inverterek két funkcionális egységből állnak:

- Az inverter-kapcsoló: 230 V váltakozó feszültséget hoz létre a következő akkumulátor-feszültségből:
  - **12 V:** PP1002 és PP2002
  - **24 V:** PP1004 és PP2004
- Hálózati elsőbbségi kapcsolás: átkapcsol a 230 V külső hálózati feszültség (pl. kempinghálózat) és egy akkumulátor által generált 230 V feszültség között

A külső hálózati feszültség előnyt élvez: A kimeneti dugaszolóaljzatot a készülék csak akkor választja le a külső feszültségellátó körrel és kapcsolja össze az inverter feszültségellátó körével, ha már nem áll rendelkezésre külső feszültség. Ez által biztosított, hogy a kimeneti dugaszolóaljzatban mindig legyen 230 V feszültség.

Az inverter üzemről a szárazföldi áramellátásra:

Az olyan inverter üzemről szárazföldi áramellátásra történő átkapcsolás, melynek során akkumulátorfeszültségről történik a 230 V váltakozó áramú áram előállítása, késleltetéssel történik.

A dugasz külső dugaszolóaljzatba (kemping, kikötő) történő beillesztésekor kb. 4 másodperc késleltetési idő elteltével az inverter kikapcsol. További 2 másodperc elteltével a készülék rákapcsolja a szárazföldi áramot. Ezzel a csatlakoztatott készülékeknek van idejük a normál lekapcsolásra.

Szárazföldi áramellátásról inverter üzemre:

A szárazföldi áramellátásról inverter üzemre történő átkapcsolás szintén késleltetéssel történik.

Ha a szárazföldi áramellátás kimarad, akkor 2 másodperc elteltével bekapcsol az inverter.

**FIGYELEM!**

A csatlakoztatott készülékeknek átkapcsoláskor kikapcsolt állapotban kell lenniük. Mivel 2 másodpercig nem kapnak áramot, esetlegesen újra be kell kapcsolni ezeket.

Az inverter fel van szerelve termikus és elektromos túlterhelésvédelemmel, valamint magas-, és alacsonyfeszültség-védelemmel. Az inverter az alábbi esetekben lekapcsol:

- Ha az inverter belső hőmérséklete túl magas
- Ha a terhelés túllépi a műszaki adatokban említett teljesítményértékeket
- Ha a bemeneti feszültség túl alacsony vagy túl magas

Az inverterre egyetlen fogyasztó, vagy egy több dugaszolóaljzattal rendelkező 230 V fedélzeti hálózat kialakítása érdekében egy dugaszolóaljzat-elosztó csatlakoztatható.

A készülék gyári kivitelben galvanikus elválasztással rendelkezik. Több fogyasztó biztonságos üzemeléséhez feltétlenül be kell építeni a dugaszolóaljzat-elosztó körbe egy védőkapcsolót (hibaáram-kapcsolót) és az inverterbe egy földelőszalagot.

**MEGJEGYZÉS**

Elektromos hajtással rendelkező készülékek (például fűrőgép, hűtőgép stb.) csatlakoztatásánál vegye figyelembe, hogy ezek az induláshoz gyakran az adattáblán megadott értéknél nagyobb teljesítményt igényelnek.

Az invertert manuálisan, vagy a távirányítóval lehet bekapcsolni.

A hűtés egy terheléstől függő üzemmű ventilátorral történik.

## 7.1 Kezelőelemek



### MEGJEGYZÉS

A képen a kontinentális európai verzió látható.

#### Előlnézet (1. ábra, 3. oldal)

Szám	Leírás
1	<b>Grid:</b> Ha az inverter a külső 230 V hálózati feszültségről üzemel, akkor ez a LED világít; az elsőbbségi kapcsolás aktív.
2	Külső 230 V feszültségellátás csatlakozása
3	Circuit Breaker: Biztosíték
4	230 V~ -kimenet
5	<b>POWER:</b> Ez a LED akkor világít, ha az inverter be van kapcsolva.
6	<b>OLP:</b> Ez a LED akkor világít, ha a csatlakoztatott fogyasztók túl sok áramot vesznek fel.
7	<b>UVP:</b> Ez a LED akkor világít, ha az akkumulátor kapacitása túl alacsony.
8	<b>OVP:</b> Ez a LED akkor világít, ha bemeneti feszültség túl nagy.

#### Hátulnézet (2. ábra, 3. oldal)

Szám	Leírás
1	Főkapcsoló
2	Az MCR9 távirányító csatlakoztatása
3	Külső kapcsoló csatlakoztatása
4	Földcsatlakozás
5	Ventilátor
6	Negatív kapocs
7	Pozitív kapocs



## 8 Az inverter rögzítése és csatlakoztatása

### 8.1 Az inverter rögzítése



#### FIGYELMEZTETÉS!

- Ügyeljen a biztonságos elhelyezésre!  
Biztonságosan állítsa fel a készüléket és rögzítse úgy,
  - hogy ne borulhasson fel és ne zuhanhasson le
  - menet közben ne mozdulhasson meg
- Úgy biztosítsa a készüléket, hogy a gyermekek ne tudjanak hozzáférni. Olyan veszélyek keletkezhetnek, melyeket a gyermekek nem képesek felismerni.

Az invertert a melléklet tartóelemekkel kell rögzítheti.

A szerelési hely kiválasztása során a következő megjegyzéseket vegye figyelembe:

- **Ne** üzemeltesse a készüléket
  - nedves vagy vizes környezetben
  - poros környezetben
  - gyúlékony anyagokat tartalmazó környezetben
  - robbanásveszélyes helyiségekben
- Ne helyezze ki a készüléket hőforrás (napsugárzás, fűtés stb.) hatásának. Ezáltal elkerülheti a készülék további felmelegedését.
- Vegye figyelembe a kábelhosszokat és válasszon ki egy szerelési helyet a tápellátó akkumulátor közelében.
- Válasszon ki egy jól szellőző szerelési helyet.  
Zárt helyiségekben történő telepítés esetén befűväsos és elszíväsos szellözésről kell gondoskodni.
- Ügyeljen arra, hogy az inverter homlokzati oldalán lévő levegőbeszívó nyílás szabadon maradjon.
- Válasszon olyan felszerelési felületet, amely sima és kellő szilárdságú.

A készüléket a következő módon rögzítse (5. ábra, 4. oldal):

**FIGYELEM!**

Furatok készítése előtt ellenőrizze, hogy a fúrás, fűrészelés vagy reszelés nem okozta-e a jármű elektromos kábeleinek vagy más alkatrészeinek sérülését.

- ▶ A két tartóelemet pattintsa rá az alsó gerinc bal és jobb oldalaira. Ezt követően tetszőlegesen elcsúsztathatja a tartóelemeket.
- ▶ Csavarokkal rögzítse az invertert úgy, hogy egy-egy csavart a furatokon keresztül a tartóelemekbe csavaroz.

## 8.2 Az inverter csatlakoztatása

**FIGYELMEZTETÉS!**

Az inverter csatlakoztatását kizárólag megfelelően képzett szakcégek végezhetik.

A következő információk olyan szakembereknek szólnak, akik az alkalmazandó irányelveket és a biztonsági óvintézkedéseket ismerik.

Az elektromos csatlakoztatás során vegye figyelembe a következő biztonsági megjegyzéseket:

**FIGYELEM! Rövidzárlat veszélye!**

- A járművön történő munkavégzéskor mindig válassza le a tápellátó akkumulátor földelési csatlakozását.
- Válassza le a 230 V-os külső ellátást a lakókocsiról.
- Ha vezetékeket lemezburkolatokon vagy más éles peremű falakon kell átvezetnie, akkor használjon üres csöveket vagy vezetékátvezetőket.
- Ne vezesse a vezetékeket lazán, vagy elektromosan vezető anyagokon (fém) élesen megtörve.
- A vezetékeket jól rögzítse.
- A vezetékekre ne fejtessen ki húzóerőt.
- Ne vezessen 230 V-os hálózati vezetékét és 12 / 24 V-os egyenáramú vezetékét együtt, azonos vezetékcsatornában (csőben).
- A vezetékeket úgy helyezze el, hogy ne keletkezzen botlásveszély és a kábel ne sérülhessen meg.

**FIGYELMEZTETÉS! Áramütés miatti életveszély!**

Ha az inverterre egynél több fogyasztót szeretne rácsatlakoztatni és ehhez egy dugaszolóaljzat-elosztókört alakít ki, akkor védőkapcsolót (hibaáram-kapcsolót) kell a körben elhelyeznie és az inverterben lévő földelőszalagot be kell állítania, lásd: „Több fogyasztó csatlakoztatása” fejj., 284. oldal.

**Az inverter földelése**

- ▶ Az inverter földelési csatlakozóját (2. ábra 4, 3. oldal) kösse össze a jármű földelésével.

**Az inverter csatlakoztatása az akkumulátorhoz****MEGJEGYZÉS**

Vegye figyelembe, hogy az akkumulátor leválasztásakor a csatlakoztatott fogyasztók összes felejtő memóriából elvesznek az adatok.

**FIGYELEM!**

Ügyeljen a helyes polarításra. Ha összecseréli a pozitív és a negatív pólust, akkor a készülék károsodhat.

- ▶ Kösse össze a piros akkumulátor csatlakozókábel csatlakozókapcsát az inverter pozitív kapcsával (2. ábra 7, 3. oldal).
- ▶ Kösse össze a fekete akkumulátor csatlakozókábel csatlakozókapcsát az inverter negatív kapcsával (2. ábra 6, 3. oldal).
- ▶ Ellenőrizze a csatlakozások stabilitását.  
A csavarkötéseket később még egyszer után kell húzni.

**MEGJEGYZÉS**

A belső kondenzátorok feltöltődése miatt a csatlakoztatáskor szikra képződhet.

- ▶ A piros akkumulátor csatlakozókábelt csatlakoztassa az akkumulátor pozitív pólusához.
- ▶ A fekete akkumulátor csatlakozókábelt csatlakoztassa az akkumulátor negatív pólusához.

## Az inverter csatlakoztatása a 230 V hálózathoz

- A 230 V csatlakozókábelt illessze be az inverter 230 V feszültségellátási csatlakozójába (1. ábra 2, 3. oldal).
- A 230 V csatlakozókábelt csatlakoztassa a járműbe szerelt 230 V dugaszolóaljzathoz.

## Távírányító csatlakoztatása az inverterhez

- Szükség esetén kapcsolja ki az invertert.
- A távírányító kábelvégét illesse be a csatlakozóba (2. ábra 2, 3. oldal).
- Állítsa a főkapcsolót (2. ábra 1, 3. oldal) „Remote” állásba.

## Külső kapcsolóérintkező csatlakoztatása az inverterhez

- Szükség esetén kapcsolja ki az invertert.
- A külső kapcsolót (invertertől jövő feszültségellátás) a kapcsolási rajznak (3. ábra, 3. oldal) megfelelően csatlakoztassa a Remote porthoz (2. ábra 3, 3. oldal).
- Állítsa a főkapcsolót (2. ábra 1, 3. oldal) „Remote” állásba.



### MEGJEGYZÉS

Ha feszültségellátással rendelkező külső kapcsolót kíván alkalmazni, pl. a gyújtástól, akkor be közé kell kapcsolni egy alkalmas relét.

## 8.3 Több fogyasztó csatlakoztatása



### FIGYELMEZTETÉS! Áramütés miatti életveszély!

Ha az inverterre egynél több fogyasztót szeretne rácsatlakoztatni és ehhez egy dugaszolóaljzat-elosztókört alakít ki, akkor védőkapcsolót (hibaáram-kapcsolót) kell a körben elhelyeznie és az inverterben lévő földelőszalagot be kell állítania. A földelőszalagot csak olyan szakember csatlakoztathatja, aki ismeri a vonatkozó VDE-irányelveket.

A készülék gyári kivitelben galvanikus elválasztással rendelkezik. Több fogyasztó biztonságos üzemeléséhez feltétlenül be kell építeni a dugaszolóaljzat-elosztókörbe egy védőkapcsolót (fi-kapcsolót), lásd a kapcsolási rajz példáját: 6. ábra, 5. oldal.

Jelmagyarázat a kapcsolási rajz példájához:

Tétel / <b>6. ábra,</b> <b>5. oldal</b>	Magyarázat
1	230 V~ feszültségforrás
2	További készülékek (például akkumulátortöltő, hűtőszekrény)
3	Egyenáramú feszültségforrás (akkumulátor)
4	Inverter
5	Földelőszalag behelyezve (gyári állapot: nincs behelyezve, szaggatott ábrázolás)
6	Védőkapcsoló (fi-kapcsoló)
7	Fogyasztók dugaszolóaljzat-elosztóköre

- Építsen be egy fi-kapcsolót a dugaszolóaljzat-elosztókörbe.

### A földelőszalag behelyezése (**4. ábra, 4. oldal**)



#### **FIGYELMEZTETÉS! Áramütés miatti életveszély!**

A földelőszalagot csak olyan szakember csatlakoztathatja, aki ismeri a vonatkozó VDE-irányelveket.



#### **MEGJEGYZÉS**

Kiszállítási állapotban a földelőszalag dugasza minig az „FG” helyen van (szigetelt váltakozó áramú feszültség).

- A készülék homlokzati oldalán lévő felső négy rögzítőcsavart **(2)** tekerje ki egy imbuszkulccsal.
- Vegye le a burkolatot **(1)**.



#### **FIGYELEM!**

Az „FG” és az „N + FG” csatlakozóhelyekkel módosítható a földelőszalag. A többi csatlakozóhelyet ne módosítsa, ellenkező esetben a készülék károsodhat.

- Húzza ki a dugaszt **(3)** az „FG” csatlakozóhelyből **(4)**.
- Illessze be a dugaszt **(3)** az „N + FG” csatlakozóhelybe **(5)**.
- Helyezze vissza a készülék burkolatát **(1)** és rögzítse ezt a csavarokkal **(2)**.

## 9 Az inverter használata



### FIGYELEM!

**Ha nem áll rendelkezésre védőkapcsoló:** Ha külső hálózati feszültséghez csatlakoztatja az invertert, akkor a 230 V kimeneti dugaszoló aljzat földelve van.

Ha nem áll rendelkezésre külső hálózati feszültség, akkor az inverter csak az akkumulátorral (egyenáram) van összekapcsolva. Ebben az esetben a 230 V kimeneti dugaszolóaljzat nincs földelve, hanem a védőszigetelés védi.



### FIGYELEM! Rövidzárlat veszélye!

Először kapcsolja be az invertert és csak utána a fogyasztót.

Az inverter használata során vegye figyelembe a következő útmutatásokat:

- Ha üzem közben az akkumulátor feszültsége a riasztási érték alá csökken (lásd: „alacsonyfeszültség-riasztás” a következő fejezetben: „Műszaki adatok” fej., 290. oldal), figyelmeztető hangjelzés hallható és az „UVP” LED (1. ábra 7, 3. oldal) világítani kezd.
  - Ha az akkumulátor feszültsége a lekapcsolási érték alá csökken (lásd: „alacsony-feszültség-lekapcsolás” a következő fejezetben: „Műszaki adatok” fej., 290. oldal), akkor az inverter kikapcsol.
  - Erős felmelegedés esetén az inverter kikapcsol és világítani kezd az „OLP” LED (1. ábra 6, 3. oldal).  
A lehűlést követően az inverter automatikusan visszakapcsol.
  - Az inverter hosszabb időtartamú és nagyobb terheléssel történő üzemeltetése során a jármű akkumulátorának újrafeltöltése érdekében célszerű a motort elindítani.
- Csatlakoztassa a fogyasztóját a 230 V kimenethez (1. ábra 4, 3. oldal).  
Dugaszolóaljzat-elosztó rendszer is csatlakoztathat.

## 9.1 Az inverter használata távirányító nélkül

- ▶ Állítsa a főkapcsolót (**2**. ábra 1, 3. oldal)
  - „ON” helyzetbe, így az inverter **be**kapcsol
  - Vagy „OFF” helyzetbe, így az inverter **ki**kapcsol
- ✓ Ha az inverter be van kapcsolva akkor a „POWER” LED világít.

## 9.2 Az inverter használata távirányítóval



### MEGJEGYZÉS

Vegye figyelembe a távirányító szállítási terjedelmében lévő kezelési útmutatót is.

- ▶ Állítsa a főkapcsolót (**2**. ábra 1, 3. oldal) „Remote” állásba.
- ▶ A következőkkel kapcsolja ki vagy be az invertert:
  - a távirányító gombjaival **vagy**
  - a külső kapcsolóval
- ✓ Ha az inverter be van kapcsolva akkor a „POWER” LED világít.

## 10 Az inverter karbantartása és tisztítása



### FIGYELEM!

Ne használjon éles vagy kemény eszközöket vagy tisztítószeret a tisztításhoz, mivel azok a termék sérülését okozhatják.

- ▶ Alkalmanként tisztítsa meg a terméket nedves ruhával.

# 11 Hibaelhárítás

Hiba	Ok	Elhárítás
Nincs kimeneti feszültség	Nincs kapcsolat az akkumulátorral	Ellenőrizze a kapcsolatot és a kábeleket. Szükség esetén kapcsolja be a gyújtást.
	Túlmelegedés	Kapcsolja ki a fogyasztót. Hagyja lehűlni az invertert és gondoskodjon jobb szellőzésről. Szükség esetén csökkentse a tartós terhelést.
	A bemeneti feszültség túl magas.	Ellenőrizze az inverter bemeneti feszültségét és hasonlítsa össze az inverter műszaki adataival.
	A biztosíték meghibásodott (az inverterben, vagy a járműben)	Cserélje ki a biztosítékot egy megegyező paraméterekkel rendelkező biztosítékra.
	A készülék hibás	Cserélje ki a készüléket.
A készülék ciklikusan be/ki kapcsol	Túl nagy a tartós terhelés	Csökkentse a terhelést.
A fogyasztók bekapcsolásakor az inverter kikapcsol	A bekapcsolási áram túl magas	Hasonlítsa össze a fogyasztók teljesítményét az inverter maximális teljesítményével.
Túl alacsony a kimeneti feszültség	Az akkumulátorfeszültség kisebb mint a lekapcsolási érték (lásd: „alacsonyfeszültség-lekapcsolás” a következő fejezetben: „Műszaki adatok” fejj., 290. oldal)	Töltse fel az akkumulátort (indítsa be a motort).



## MEGJEGYZÉS

A kimeneti feszültség csak egy True-RMS mérőkészülékkel mérhető meg helyesen.



## 12 Szavatosság

A termékre a törvény szerinti szavatossági időszak érvényes. A termék meghibásodása esetén forduljon a gyártói lerakathoz (a címeket lásd jelen útmutató hátoldalán), illetve az illetékes szakkereskedőhöz.

A javításhoz, illetve a szavatossági adminisztrációhoz a következő dokumentumokat kell mellékelnie:

- a számla vásárlási dátummal rendelkező másolatát,
- a reklamáció okát vagy a hibát tartalmazó leírást.

## 13 Ártalmatlanítás

- ▶ A csomagolóanyagot lehetőleg a megfelelő újrahasznosítható hulladék közé tegye.



Ha a terméket véglegesen kivonja a forgalomból, kérjük, tájékozódjon a legközelebbi hulladékártalmatlanító központnál vagy a szakkereskedőjénél az idevonatkozó ártalmatlanítási előírásokkal kapcsolatban.

## 14 Műszaki adatok



### MEGJEGYZÉS

40 °C-nél magasabb környezeti hőmérséklet esetén (pl. motortér vagy fűtéstér, közvetlen napsugárzás), a műszaki adatokban megadott tartós teljesítmény csökken.

A következő műszaki adatok az összes inverterre vonatkoznak:

	<b>PP1002 PP2002</b>	<b>PP1004 PP2004</b>
Kimeneti feszültség:	230 V <sub>~</sub> <sup>1</sup>	
Kimeneti frekvencia:	50 Hz ± 2 Hz	
Üresjáráti áramfelvétel:	< 1,5 A	< 1,5 A
Hatásfok tartós terhelés esetén:	> 85 %	
Bemeneti feszültségtartomány:	11 – 15 V <sub>===</sub>	22 – 30 V <sub>===</sub>
Hálózati bemeneti feszültség:	230 V <sub>~</sub>	
Alacsonyfeszültség riasztás:	11 V	22 V
Alacsonyfeszültség-lekapcsolás:	10,5 V	21 V
Alacsonyfeszültség visszakapcsolás:	12,2 V	24,4 V
Túlfeszültség-lekapcsolás:	15,5 V	30,5 V
Túlterhelési lekapcsolás:	130 %	
Túlmelegedési lekapcsolás:	80 °C	
Elsőbbségi kapcsolás biztosíték:	10 A	
Környezeti hőmérséklet – Tárolás: – Üzem:	–30 °C – +70 °C 0 °C – +40 °C	
Légnedvesség – Tárolás: – Üzem:	20 % – 90 % 10 % – 95 %	
Vizsgálat / tanúsítvány:		

	<b>PP1002</b>	<b>PP1004</b>
Tartós kimenőteljesítmény:	1000 W	
Kimeneti csúcsteljesítmény:	2000 W	
DC-biztosíték:	30 A x 4	15 A x 4
Méreték (szélesség x mélység x magasság):	176 x 338 x 95 mm	
Súly:	3,5 kg	

	<b>PP2002</b>	<b>PP2004</b>
Tartós kimenőteljesítmény:	2000 W	
Kimeneti csúcsteljesítmény:	4000 W	
DC-biztosíték:	30 A x 8	15 A x 8
Méreték (szélesség x mélység x magasság):	176 x 443 x 95 mm	
Súly:	5 kg	

**GERMANY****Dometic WAECO International GmbH**

Hollefeldstraße 63 · D-48282 Emsdetten  
 ☎ +49 (0) 2572 879-195 · 📠 +49 (0) 2572 879-322  
 Mail: info@dometic-waeco.de

www.dometic.com

**AUSTRALIA****Dometic Australia Pty. Ltd.**

1 John Duncan Court  
 Varsity Lakes QLD 4227  
 ☎ 1800 212121  
 📠 +61 7 55076001  
 Mail: sales@dometic-waeco.com.au

**AUSTRIA****Dometic Austria GmbH**

Neudorferstraße 108  
 A-2353 Guntramsdorf  
 ☎ +43 2236 908070  
 📠 +43 2236 90807060  
 Mail: info@dometic.at

**BENELUX****Dometic Branch Office Belgium**

Zincstraat 3  
 B-1500 Halle  
 ☎ +32 2 3598040  
 📠 +32 2 3598050  
 Mail: info@dometic.be

**BRAZIL****Dometic DO Brasil LTDA**

Avenida Paulista 1754, conj. 111  
 SP 01310-920 Sao Paulo  
 ☎ +55 11 3251 3352  
 📠 +55 11 3251 3362  
 Mail: info@dometic.com.br

**DENMARK****Dometic Denmark A/S**

Nordensvej 15, Taulov  
 DK-7000 Fredericia  
 ☎ +45 75585966  
 📠 +45 75586307  
 Mail: info@dometic.dk

**FINLAND****Dometic Finland OY**

Mestariitie 4  
 FIN-01730 Vantaa  
 ☎ +358 20 7413220  
 📠 +358 9 7593700  
 Mail: info@dometic.fi

**FRANCE****Dometic SAS**

ZA du Pré de la Dame Jeanne  
 B.P. 5  
 F-60128 Pleilly  
 ☎ +33 3 44633525  
 📠 +33 3 44633518  
 Mail: vehiculesdeloisirs@dometic.fr

**HONG KONG****Dometic Group Asia Pacific**

Suites 2207-11 / 22/F - Tower 1  
 The Gateway - 25 Canton Road,  
 Tsim Sha Tsui - Kowloon  
 ☎ +852 2 4611386  
 📠 +852 2 4665553  
 Mail: info@waeco.com.hk

**HUNGARY****Dometic Zrt. Sales Office**

Kerekgyártó u. 5.  
 H-1147 Budapest  
 ☎ +36 1 468 4400  
 📠 +36 1 468 4401  
 Mail: budapest@dometic.hu

**ITALY****Dometic Italy S.r.l.**

Via Virgilio, 3  
 I-47122 Forlì (FC)  
 ☎ +39 0543 754901  
 📠 +39 0543 754983  
 Mail: vendite@dometic.it

**JAPAN****Dometic KK**

Maekawa-Shibaura, Bldg. 2  
 2-13-9 Shibaura Minato-ku  
 Tokyo 108-0023  
 ☎ +81 3 5445 3333  
 📠 +81 3 5445 3339  
 Mail: info@dometic.jp

**MEXICO****Dometic Mx, S. de R. L. de C. V.**

Circuito Médicos No. 6 Local 1  
 Colonia Ciudad Satélite  
 CP 53100 Naucalpan de Juárez  
 Estado de México  
 ☎ +52 55 5374 4108  
 📠 +52 55 5393 4683  
 Mail: info@dometic.com.mx

**NETHERLANDS****Dometic Benelux B.V.**

Ecustraat 3  
 NL-4879 NP Etten-Leur  
 ☎ +31 76 5029000  
 📠 +31 76 5029019  
 Mail: info@dometic.nl

**NEW ZEALAND****Dometic New Zealand Ltd.**

Unite E, The Gate  
 373 Neilson Street  
 Penrose 1, Auckland  
 ☎ +64 9 622 1490  
 📠 +64 9 622 1573  
 Mail: customerservices@dometic.co.nz

**NORWAY****Dometic Norway AS**

Østerøyveien 46  
 N-3232 Sandefjord  
 ☎ +47 33428450  
 📠 +47 33428459  
 Mail: firmapost@dometic.no

**POLAND****Dometic Poland Sp. z o.o.**

Ul. Puławska 435A  
 PL-02-801 Warszawa  
 ☎ +48 22 414 3200  
 📠 +48 22 414 3201  
 Mail: info@dometic.pl

**PORTUGAL****Dometic Spain, S.L.**

Branch Office em Portugal  
 Rot. de São Gonçalo nº 1 – Esc. 12  
 2775-399 Carcavelos  
 ☎ +351 219 244 173  
 📠 +351 219 243 206  
 Mail: info@dometic.pt

**RUSSIA****Dometic RUS LLC**

Komsomolskaya square 6-1  
 RU-107140 Moscow  
 ☎ +7 495 780 79 39  
 📠 +7 495 916 56 53  
 Mail: info@dometic.ru

**SINGAPORE****Dometic Pte Ltd**

18 Boon Lay Way 06-140 Trade Hub 21  
 Singapore 609966  
 ☎ +65 6795 3177  
 📠 +65 6862 6620  
 Mail: dometic@dometic.com.sg

**SLOVAKIA****Dometic Slovakia s.r.o. Sales Office Bratislava**

Nádražná 34/A  
 900 28 Ivanka pri Dunaji  
 ☎/📠 +421 2 45 529 680  
 Mail: bratislava@dometic.com

**SOUTH AFRICA****Dometic (Pty) Ltd.****Regional Office****South Africa & Sub-Saharan Africa**

2 Avalon Road  
 West Lake View Ext 11  
 Modderfontein 1645  
 Johannesburg  
 ☎ +27 11 4504978  
 📠 +27 11 4504976  
 Mail: info@dometic.co.za

**SPAIN****Dometic Spain S.L.**

Avda. Sierra del Guadarrama, 16  
 E-28691 Villanueva de la Cañada  
 Madrid  
 ☎ +34 902 111 042  
 📠 +34 900 100 245  
 Mail: info@dometic.es

**SWEDEN****Dometic Scandinavia AB**

Gustaf Melins gata 7  
 S-42131 Västra Frölunda  
 ☎ +46 31 7341100  
 📠 +46 31 7341101  
 Mail: info@dometicgroup.se

**SWITZERLAND****Dometic Switzerland AG**

Riedackerstrasse 7a  
 CH-8153 Rümlang  
 ☎ +41 44 8187171  
 📠 +41 44 8187191  
 Mail: info@dometic.ch

**UNITED ARAB EMIRATES****Dometic Middle East FZCO**

P. O. Box 17860  
 S-D 6, Jebel Ali Freezone  
 Dubai  
 ☎ +971 4 883 3858  
 📠 +971 4 883 3868  
 Mail: info@dometic.ae

**UNITED KINGDOM****Dometic UK Ltd.**

Dometic House, The Brewery  
 Blandford St. Mary  
 Dorset DT11 9LS  
 ☎ +44 344 626 0133  
 📠 +44 344 626 0143  
 Mail: customerservices@dometic.co.uk

**USA****Dometic RV Division**

1120 North Main Street  
 Elkhart, IN 46515  
 ☎ +1 574-264-2131