

# ↗ DOMETIC

## COOLING BOXES

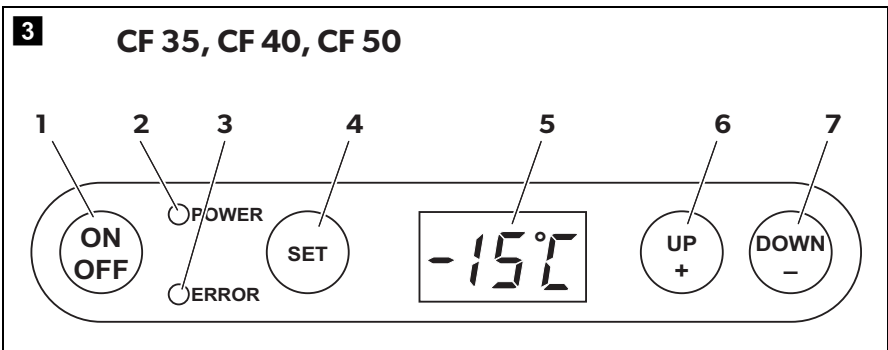
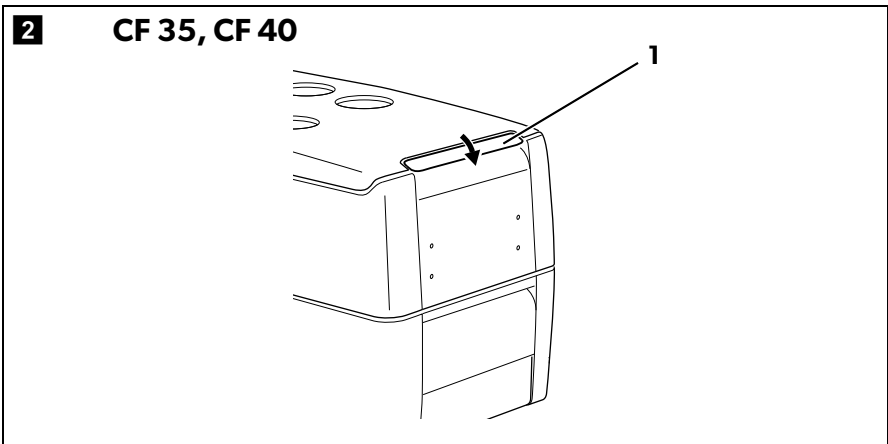
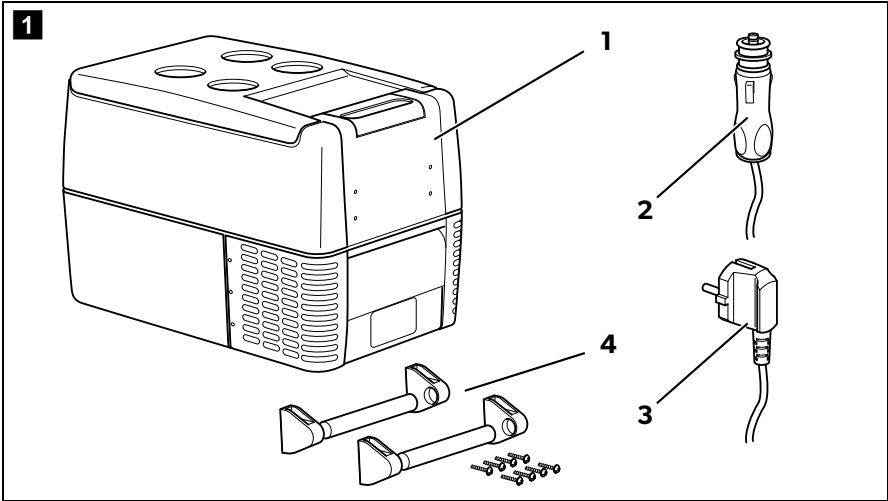
### COOLFREEZE



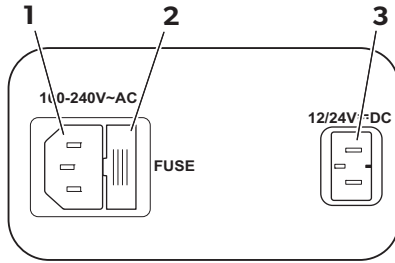
CF35, CF40, CF50

<b>EN</b>	<b>Compressor Cooler</b> Operating manual ..... 6	<b>FI</b>	<b>Kompressorikylmälaitikko</b> Käyttöohje ..... 179
<b>DE</b>	<b>Kompressor-Kühlbox</b> Bedienungsanleitung ..... 23	<b>RU</b>	<b>Компрессорный холодильник</b> Инструкция по эксплуатации ..... 196
<b>FR</b>	<b>Glacière à compression</b> Notice d'utilisation ..... 41	<b>PL</b>	<b>Przenośna lodówka kompresorowa</b> Instrukcja obsługi ..... 214
<b>ES</b>	<b>Nevera por compresor</b> Instrucciones de uso ..... 59	<b>SK</b>	<b>Chladiaci box s kompresorom</b> Návod na obsluhu ..... 232
<b>PT</b>	<b>Geleira com compressor</b> Manual de instruções ..... 77	<b>CS</b>	<b>Kompresorový chladičí box</b> Návod k obsluze ..... 249
<b>IT</b>	<b>Frigorifero a compressore</b> Istruzioni per l'uso ..... 95	<b>HU</b>	<b>Kompresszoros hűtőláda</b> Használati utasítás ..... 266
<b>NL</b>	<b>Compressorkoelbox</b> Gebruiksaanwijzing ..... 113		
<b>DA</b>	<b>Kompressor-køleboks</b> Betjeningsvejledning ..... 130		
<b>SV</b>	<b>Kylbox med kompressor</b> Bruksanvisning ..... 147		
<b>NO</b>	<b>Kjøleboks med kompressor</b> Bruksanvisning ..... 163		

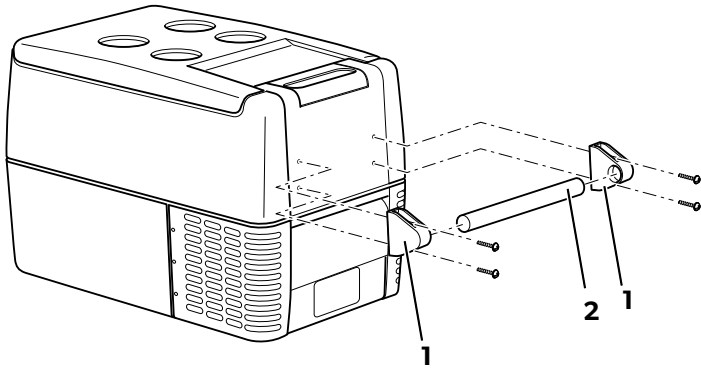


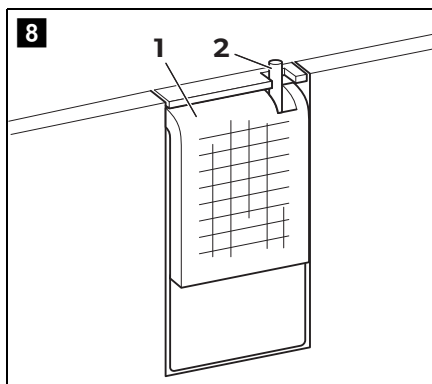
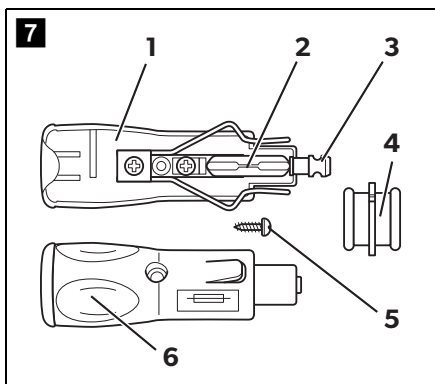
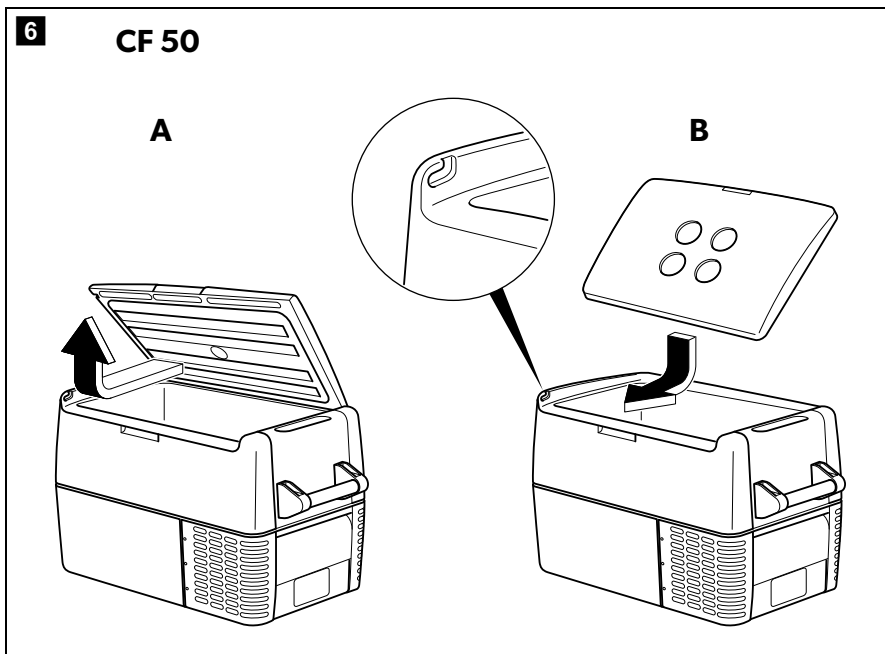


4



5





**Please read this manual carefully before starting the device. Keep it in a safe place for future reference. If the device is passed on to another person, this manual must be handed over to the user along with it.**

The manufacturer cannot be held liable for damage resulting from **improper usage** or **incorrect operation**.

## Contents

<b>1</b>	<b>Explanation of symbols</b> .....	7
<b>2</b>	<b>Safety instructions</b> .....	7
2.1	General safety .....	7
2.2	Operating the cooling device safely .....	9
<b>3</b>	<b>Scope of delivery</b> .....	9
<b>4</b>	<b>Intended use</b> .....	10
<b>5</b>	<b>Function description</b> .....	10
5.1	Scope of functions .....	10
5.2	Operating and display elements .....	11
<b>6</b>	<b>Operation</b> .....	12
6.1	Before initial use .....	12
6.2	Energy saving tips .....	13
6.3	Connecting the cooler .....	13
6.4	Using the battery monitor .....	14
6.5	Using the cooler .....	15
6.6	Setting the temperature .....	16
6.7	Switching off the cooler .....	16
6.8	Defrosting the cooler .....	16
6.9	Replacing the device fuse .....	17
6.10	Replacing the plug fuse (12/24 V) .....	17
6.11	Replacing the light bulb .....	18
<b>7</b>	<b>Cleaning and maintenance</b> .....	18
<b>8</b>	<b>Warranty</b> .....	19
<b>9</b>	<b>Troubleshooting</b> .....	19
<b>10</b>	<b>Disposal</b> .....	20
<b>11</b>	<b>Technical data</b> .....	21

# 1 Explanation of symbols

**DANGER!**

**Safety instruction:** Failure to observe this instruction will cause fatal or serious injury.

**WARNING!**

**Safety instruction:** Failure to observe this instruction can cause fatal or serious injury.

**CAUTION!**

**Safety instruction:** Failure to observe this instruction can lead to injury.

**NOTICE!**

Failure to observe this instruction can cause material damage and impair the function of the product.

**NOTE**

Supplementary information for operating the product.

## 2 Safety instructions

### 2.1 General safety

**WARNING!**

- Do not operate the cooling device if it is visibly damaged.
- If this cooling device's power cable is damaged, it must be replaced by the manufacturer, customer service or a similarly qualified person in order to prevent safety hazards.
- This cooling device may only be repaired by qualified personnel. Improper repairs can lead to considerable hazards.
- This cooling device can be used by children aged 8 years or over, as well as by persons with diminished physical, sensory or mental capacities or a lack of experience and/or knowledge, providing they are supervised or have been taught how to use the cooling device safely and are aware of the resulting risks.

- Cleaning and user maintenance must not be carried out by children without supervision.
- Children must not play with the cooling device.
- Children must be supervised to ensure that they do not play with the cooling device.
- Always keep and use the cooling device out of the reach of children under the age of 8 years.
- Do not store any explosive substances such as spray cans with a flammable propellant in the cooling device.

**CAUTION!**

- Disconnect the cooling device from the power supply
  - before each cleaning and maintenance
  - after every use
- Food may only be stored in its original packaging or in suitable containers.

**NOTICE!**

- Check that the voltage specification on the type plate corresponds to that of the energy supply.
- Only connect the cooling device as follows:
  - With the DC connection cable to a DC power supply in the vehicle
  - Or with the AC connection cable to an AC power supply
- Never pull the plug out of the socket by the cable.
- If the cooling device is connected to a DC outlet: Disconnect the cooling device and other power consuming devices from the battery before connecting a quick charging device.
- If the cooling device is connected to a DC outlet: Disconnect the cooling device or switch it off when you turn off the engine. Otherwise you may discharge the battery.
- The cooling device is not suitable for transporting caustic materials or materials containing solvents.
- The insulation of the cooling device contains flammable cyclopentane and requires special disposal procedures. Deliver the cooling device at the end of its life-cycle to an appropriate recycling center.



## 2.2 Operating the cooling device safely



### CAUTION!

- Before starting the cooling device, ensure that the power supply line and the plug are dry.



### NOTICE!

- Do not use electrical devices inside the cooling device unless they are recommended by the manufacturer for the purpose.
- Do not place the cooling device near naked flames or other heat sources (heaters, direct sunlight, gas ovens etc.).
- **Danger of overheating!**  
Ensure at all times that there is a minimum of 50 mm ventilation on all four sides of the cooling device. Keep the ventilation area free of any objects that could restrict the air flow to the cooling components. Do not place the cooling device in closed compartments or areas with none or minimal air flow.
- Ensure that the ventilation openings are not covered.
- Do not fill the inner container with ice or fluids.
- Never immerse the cooling device in water.
- Protect the cooling device and the cable against heat and moisture.

## 3 Scope of delivery

No. in fig. 1, page 3	Quantity	Description
1	1	Cooler
2	1	Connection cable for 12/24 V $\equiv$ connection
3	1	Connection cable for 100 – 240 V $\sim$ connection
4	2	Carrying handle, consisting of: <ul style="list-style-type: none"> <li>– 2 holders</li> <li>– 1 handle</li> <li>– 4 fastening screws</li> </ul>
–	1	Operating manual

## 4 Intended use

The cooler is suitable for cooling and freezing foods. The device is also suitable for use on boats.

The device is designed to be operated from a 12 V $\overline{=}$  or 24 V $\overline{=}$  on-board supply socket of a vehicle (e. g. cigarette lighter), boat or caravan as well as from a 100 – 240 V AC mains.



### **CAUTION! Health hazard!**

Please check if the cooling capacity of the device is suitable for storing the food or medicine you wish to cool.

## 5 Function description

The cooler can chill products, keep them cool as well as freeze them. A maintenance-free refrigerant circuit with compressor provides the cooling. The extra strong insulation and powerful compressor ensure especially fast cooling.

The cooler is portable.

When used on boats, the cooler can be withstand a constant heel (inclination) of 30°.

### 5.1 Scope of functions

- Power supply with priority circuit for connecting to the AC mains
- Three-level battery monitor to protect the vehicle battery
- Turbo mode for rapid cooling
- Display with temperature gauge switches off automatically at low battery voltage
- Temperature setting: With two buttons in steps of 1 °C (2 °F)
- Removable carrying handles

## 5.2 Operating and display elements

### CF35, CF40

Lock for lid: fig. **2** 1, page 3

### CF35, CF40, CF50

Operating panel (fig. **3**, page 3)

Item	Description	Explanation
1	ON OFF	Switches the cooler on or off when the button is pressed for between one and two seconds
2	POWER	Status indication
		LED lights up green: Compressor is on
		LED lights up orange: Compressor is off
		LED flashes orange: display switched off automatically due to low battery voltage
3	ERROR	LED flashes red: Device is switched on but not ready for operation
4	SET	Selects the input mode – Temperature setting – Celsius or Fahrenheit display – Set battery monitor
5	–	Display, shows the information
6	UP +	Press once to increase the value
7	DOWN –	Press once to decrease the value

Connection sockets (fig. **4**, page 4):

Item	Description
1	Connection socket AC voltage supply
2	Fuse holder
3	Connection socket DC voltage supply

## 6 Operation

### 6.1 Before initial use

**NOTE**

Before starting your new cooler for the first time, you should clean it inside and outside with a damp cloth for hygienic reasons (please also refer to the chapter "Cleaning and maintenance" on page 18).

#### Mounting the handles

The handles are enclosed unassembled. If you wish to attach the handles, proceed as follows:

- Make a handle by putting two holders (fig. **5** 1, page 4) and a handle (fig. **5** 2, page 4) together.
- Fasten the grip with the enclosed screws in the holes provided.

#### Turning the lid stop around (CF50)

You can turn the lid stop around if you want to open the lid from the other side. To do this, proceed as follows:

- Open the lid and pull it out (fig. **6** A, page 5).
- Turn the lid.
- Insert the lid in the lid holders on the side opposite the cooler (fig. **6** B, page 5).

#### Selecting the temperature units

You can switch the temperature display between Celsius and Fahrenheit. This is how to do it:

- Switch on the cooler.
- Press the "SET" button (fig. **3** 4, page 3) twice.
- Use the "UP +" (fig. **3** 6, page 3) and "DOWN -" (fig. **3** 7, page 3) buttons to select Celsius or Fahrenheit.
- ✓ The selected temperature units then appear in the display for a few seconds. The display flashes several times before it returns to the current temperature.

## 6.2 Energy saving tips

- Choose a well ventilated location which is protected from direct sunlight.
- Allow warm food to cool down first before placing it in the cooling device to keep cool.
- Do not open the cooling device more often than necessary.
- Do not leave the cooling device open for longer than necessary.
- Defrost the cooler once a layer of ice forms.
- Avoid unnecessary low temperatures.

## 6.3 Connecting the cooler

### Connecting to a battery (vehicle or boat)

The cooler can be operated with 12 V<sub>DC</sub> or 24 V<sub>DC</sub>.



#### **NOTICE! Danger of damage!**

Disconnect the cooler and other consumer units from the battery before you connect the battery to a quick charging device. Overvoltage can damage the electronics of the device.

For safety reasons the cooler is equipped with an electronic system to prevent the polarity reversal. This protects the cooler against short-circuiting when connecting to a battery.

- ▶ Plug the 12/24 V connection cable (fig. **1** 2, page 3) into the DC voltage socket and also into the cigarette lighter or a 12 V or 24 V socket.

### Connecting to a 100 – 240 V AC mains (e.g. in the home or office)



#### **DANGER! Danger of electrocution!**

- Never handle plugs and switches with wet hands or if you are standing on a wet surface.
- If you are operating your cooler on board a boat from a mains connection of 100 – 240 V<sub>AC</sub>, you must install a residual current circuit breaker between the 100 – 240 V AC mains and the cooler. Seek advice from a trained technician.

The coolers have an integrated multi-voltage power supply with priority circuit for connecting to an AC voltage source of 100 – 240 V. The priority circuit automatically switches the cooler to mains operation, if the device is connected to a 100 – 240 V AC mains, even if the 12/24 V connection cable is still attached.

When switching between the AC mains and the battery supply, the red LED may light up briefly.

- ▶ Plug the 100–240 V connection cable (fig. **1** 3, page 3) into the AC voltage socket and connect it to the 100 – 240 V AC voltage mains.

## 6.4 Using the battery monitor

The device is equipped with a multi-level battery monitor that protects your vehicle battery against excessive discharging when the device is connected to the on-board 12/24 V supply.

If the cooler is operated when the vehicle ignition is switched off, the cooler switches off automatically as soon as the supply voltage falls below a set level. The cooler will switch back on once the battery has been recharged to the restart voltage level.



### **NOTICE! Danger of damage!**

When switched off by the battery monitor, the battery will no longer be fully charged. Avoid starting repeatedly or operating current consumers without longer charging phases. Ensure that the battery is recharged.

In "HIGH" mode, the battery monitor responds faster than at the levels "LOW" and "MED" (see the following table).

Battery monitor mode	LOW	MED	HIGH
Switch-off voltage at 12 V	10.1 V	11.4 V	11.8 V
Restart voltage at 12 V	11.1 V	12.2 V	12.6 V
Switch-off voltage at 24 V	21.5 V	24.1 V	24.6 V
Restart voltage at 24 V	23.0 V	25.3 V	26.2 V

This is how to select the battery monitor mode:

- ▶ Switch on the cooler.
- ▶ Press the "SET" button (fig. **3** 4, page 3) three times.
- ▶ Use the "UP +" (fig. **3** 6, page 3) and "DOWN –" (fig. **3** 7, page 3) buttons to select the battery monitor mode.
- ✓ The selected mode then appears in the display for a few seconds. The display flashes several times before it returns to the current temperature.

**NOTE**

When the cooler is supplied by the starter battery, select the battery monitor mode "HIGH". If the cooler is connected to a supply battery, the battery monitor mode "LOW" will suffice.  
If you wish to operate the cooler from the AC mains, set the battery monitor to the "LOW" position.

## 6.5 Using the cooler

**NOTICE! Danger of overheating!**

Ensure at all times that there is sufficient ventilation so that the heat that generated during operation can dissipate. Ensure that the ventilation slots are not covered. Make sure that the device is sufficiently far away from walls and other objects so that the air can circulate.

- Place the cooler on a firm foundation.  
Make sure that the ventilation slots are not covered and that the heated air can dissipate.

**NOTE**

Place the cooler as shown (fig. **1**, page 3). If you operate the box in a different position it can be damaged.

- Close the cooler, see chapter "Connecting the cooler" on page 13.

**NOTE**

If you wish to operate the cooler from the AC mains, set the battery monitor to the "LOW" position.

**NOTICE! Danger from excessively low temperature!**

Ensure that the only those objects are placed in the cooler that are intended to be cooled at the selected temperature.

- Press the "ON/OFF" button (fig. **3** 1, page 3) for between one and two seconds.
- ✓ The "POWER" LED lights up.
- ✓ The display (fig. **3** 5, page 3) switches on and shows the current cooling temperature.

**NOTE**

The temperature displayed is that of the middle of the interior.  
The temperatures elsewhere can deviate from this temperature.

- ✓ The cooler starts cooling the interior.

**NOTE**

When operating with the battery, the display switches off automatically if the battery voltage is low. The LED "POWER" flashes orange.

**Locking the cooler (CF35, CF40)**

- Close the lid.
- Press the lock (fig. **2** 1, page 3) down, until it latches in place audibly.

**6.6 Setting the temperature**

- Press the "SET" button (fig. **3** 4, page 3) once.
- Use the "UP +" (fig. **3** 6, page 3) and "DOWN -" (fig. **3** 7, page 3) buttons to select the cooling temperature.
- ✓ The cooling temperature appears in the display for a few seconds. The display flashes several times and then the current temperature is displayed again.

**6.7 Switching off the cooler**

- Empty the cooler.
- Switch the cooler off.
- Pull out the connection cable.

If you do not want to use the cooler for a longer period of time:

- Leave the cover slightly open. This prevents odour build-up.

**6.8 Defrosting the cooler**

Humidity can form frost in the interior of the cooling device or on the vaporiser. This reduces the cooling capacity. Defrost the device in good time to avoid this.





### **NOTICE! Danger of damage!**

Never use hard or pointed tools to remove ice or to loosen objects which have frozen in place.

To defrost the cooler, proceed as follows:

- ▶ Take out the contents of the cooling device.
- ▶ If necessary, place them in another cooling device to keep them cool.
- ▶ Switch off the device.
- ▶ Leave the cover open.
- ▶ Wipe off the defrosted water.

## **6.9 Replacing the device fuse**



### **DANGER! Danger of electrocution!**

Disconnect the connection cable before you replace the device fuse.

- ▶ Pull off the connection cable.
- ▶ Pry out the fuse insert (fig. **4** 2, page 4) with a screwdriver.
- ▶ Replace the defective fuse with a new one that has the same rating (T4AL 250V).
- ▶ Press the fuse insert back into the housing.

## **6.10 Replacing the plug fuse (12/24 V)**

- ▶ Pull the adapter sleeve (fig. **7** 4, page 5) off of the plug.
- ▶ Unscrew the screw (fig. **7** 5, page 5) out of the upper half of the housing (fig. **7** 1, page 5).
- ▶ Carefully raise the upper half of the housing from the lower (fig. **7** 6, page 5) half.
- ▶ Take out the contact pin (fig. **7** 3, page 5).
- ▶ Replace the defective fuse (fig. **7** 2, page 5) with a new one that has the same rating (8 A, 32 V).
- ▶ Re-assemble the plug in the reverse order.

**NOTE – Internal DC fuse**

There is an additional DC fuse inside the device (Automotive standard blade fuse, 10 A). This fuse can only be replaced by an authorised repair centre.

## 6.11 Replacing the light bulb

- Press the switch pin (fig. **8** 2, page 5) downwards so that the transparent part (fig. **8** 1, page 5) of the lamp can be removed at the front.
- Replace the light bulb.

**NOTE**

The LEDs in the light bulb must be aligned with the transparent part of the lamp.

- Press the transparent part of the lamp back into the housing.

## 7 Cleaning and maintenance

**WARNING!**

Always disconnect the device from the power supply before you clean and service it.

**NOTICE! Risk of damage**

- Never clean the cooler under running water or in dish water.
- Do not use abrasive cleaning agents or hard objects during cleaning as these can damage the cooler.

- Occasionally clean the device interior and exterior with a damp cloth.
- Make sure that the air inlet and outlet vents on the device are free of any dust and dirt, so that heat can be released and the device is not damaged.

## 8 Warranty

The statutory warranty period applies. If the product is defective, please contact the manufacturer's branch in your country (see the back of the instruction manual for the addresses) or your retailer.

For repair and warranty processing, please include the following documents when you send in the device:

- A copy of the receipt with purchasing date
- A reason for the claim or description of the fault

## 9 Troubleshooting

Fault	Possible cause	Suggested remedy
Device does not function, LED does not glow.	There is no voltage present in the 12/24 V socket (cigarette lighter) in your vehicle.	The ignition must be switched on in most vehicles to apply current to the cigarette lighter.
	No voltage present in the AC voltage socket.	Try using another plug socket.
	The device fuse is defective.	Replace the device fuse, see chapter "Replacing the device fuse" on page 17.
	The integrated mains adapter is defective.	This can only be repaired by an authorised repair centre.
The device does not cool (plug is inserted, "POWER" LED is lit).	Defective compressor.	This can only be repaired by an authorised customer services unit.
The device does not cool (plug is inserted, "POWER" LED flashes orange, display is switched off).	Battery voltage is too low.	Test the battery and charge it as needed.

Fault	Possible cause	Suggested remedy
When operating from the DC outlet: The ignition is on and the device is not working and the LED is not lit.	The DC outlet is dirty. This results in a poor electrical contact.	If the plug of your cooler becomes very warm in the DC outlet, either the DC outlet must be cleaned or the plug has not been assembled correctly.
	The fuse of the DC plug has blown.	Replace the fuse in the DC plug, see chapter "Replacing the plug fuse (12/24 V)" on page 17.
	The DC fuse inside the device has blown.	This can only be repaired by an authorised repair centre.
	The vehicle fuse has blown.	Replace the vehicle's DC outlet fuse. Please refer to your vehicle's operating manual.
The display shows an error message (e.g. "Err1") and the appliance does not cool.	The appliance has switched off due to an internal fault.	This can only be repaired by an authorised repair centre.

## 10 Disposal

- Place the packaging material in the appropriate recycling waste bins wherever possible.



If you wish to finally dispose of the product, ask your local recycling centre or specialist dealer for details about how to do this in accordance with the applicable disposal regulations.

# 11 Technical data

	<b>CF35</b>	<b>CF40</b>
Connection voltage:	12/24 V $\overline{=}$ and 100 – 240 V $\sim$	
Rated current:		
– 12 V $\overline{=}$ :	6.0 A	6.0 A
– 24 V $\overline{=}$ :	3.0 A	3.0 A
– 100 – 240 V $\sim$ :	1.3 to 0.7 A	1.3 to 0.7 A
Cooling capacity:	+10 °C to –18 °C (+50 °F to 0 °F)	
Category:	1	1
Energy efficiency class:	A+	A+
Energy consumption:	92 kWh/annum	101 kWh/annum
Usable capacity:	31 l	37 l
Climate class:	N, ST, T	N, ST, T
Ambient temperature:	+16 °C – +43 °C	+16 °C – +43 °C
Noise emission:	45 dB(A)	45 dB(A)
Refrigerant quantity:	38 g	41 g
CO <sub>2</sub> equivalent:	0.054 t	0.059 t
Global warming potential (GWP):	1430	
Dimensions (W x H x D) in mm:	580 x 385 x 360	580 x 445 x 360
Weight:	15 kg	16 kg

	<b>CF50</b>
Connection voltage:	12/24 V $\equiv$ and 100 – 240 V $\sim$
Rated current:	
– 12 V $\equiv$ :	7.0 A
– 24 V $\equiv$ :	3.0 A
– 100 – 240 V $\sim$ :	1.3 to 0.7 A
Cooling capacity:	+10 °C to –18 °C (+50 °F to 0 °F)
Category:	1
Energy efficiency class:	A+
Energy consumption:	110 kWh/annum
Usable capacity:	47 l
Climate class:	N, ST, T
Ambient temperature:	+16 °C – +43 °C
Noise emission:	45 dB(A)
Refrigerant quantity:	41 g
CO <sub>2</sub> equivalent:	0.059 t
Global warming potential (GWP):	1430
Dimensions (W x H x D) in mm:	630 x 480 x 360
Weight:	18 kg



**NOTE**

If the ambient temperature is above +32 °C (+90 °F), the minimum temperature cannot be attained.

Test/certificates:



The refrigerant circuit contains R134a.

Contains fluorinated greenhouse gases

Hermetically sealed equipment

**Bitte lesen Sie diese Anleitung vor der Inbetriebnahme sorgfältig durch und bewahren Sie sie auf. Geben Sie sie im Falle einer Weitergabe des Kühlgerätes an den Nutzer weiter.**

Der Hersteller haftet nicht für Schäden, die durch **nicht bestimmungsgemäßen Gebrauch** oder **falsche Bedienung** verursacht werden.

## Inhaltsverzeichnis

<b>1</b>	<b>Erklärung der Symbole</b> .....	24
<b>2</b>	<b>Sicherheitshinweise</b> .....	24
2.1	Allgemeine Sicherheit .....	24
2.2	Sicherheit beim Betrieb des Kühlgerätes .....	26
<b>3</b>	<b>Lieferumfang</b> .....	27
<b>4</b>	<b>Bestimmungsgemäßer Gebrauch</b> .....	27
<b>5</b>	<b>Funktionsbeschreibung</b> .....	27
5.1	Funktionsumfang .....	28
5.2	Bedien- und Anzeigeelemente .....	28
<b>6</b>	<b>Bedienung</b> .....	29
6.1	Vor dem ersten Gebrauch .....	29
6.2	Tipps zum Energiesparen .....	30
6.3	Kühlbox anschließen .....	30
6.4	Batteriewächter verwenden .....	31
6.5	Kühlbox benutzen .....	32
6.6	Temperatur einstellen .....	34
6.7	Kühlbox ausschalten .....	34
6.8	Kühlbox abtauen .....	34
6.9	Gerätesicherung austauschen .....	35
6.10	Steckersicherung (12/24 V) austauschen .....	35
6.11	Leuchtkörper wechseln .....	36
<b>7</b>	<b>Reinigung und Pflege</b> .....	36
<b>8</b>	<b>Gewährleistung</b> .....	37
<b>9</b>	<b>Störungsbeseitigung</b> .....	37
<b>10</b>	<b>Entsorgung</b> .....	38
<b>11</b>	<b>Technische Daten</b> .....	39

# 1 Erklärung der Symbole

**GEFAHR!**

**Sicherheitshinweis:** Nichtbeachtung führt zu Tod oder schwerer Verletzung.

**WARNUNG!**

**Sicherheitshinweis:** Nichtbeachtung kann zu Tod oder schwerer Verletzung führen.

**VORSICHT!**

**Sicherheitshinweis:** Nichtbeachtung kann zu Verletzungen führen.

**ACHTUNG!**

Nichtbeachtung kann zu Materialschäden führen und die Funktion des Produktes beeinträchtigen.

**HINWEIS**

Ergänzende Informationen zur Bedienung des Produktes.

## 2 Sicherheitshinweise

### 2.1 Allgemeine Sicherheit

**WARNUNG!**

- Wenn das Kühlgerät sichtbare Beschädigungen aufweist, dürfen Sie es nicht in Betrieb nehmen.
- Wenn das Anschlusskabel dieses Kühlgerätes beschädigt wird, muss es durch den Hersteller, seinen Kundendienst oder eine ähnlich qualifizierte Person ersetzt werden, um Gefährdungen zu vermeiden.
- Reparaturen an diesem Kühlgerät dürfen nur von Fachkräften durchgeführt werden. Durch unsachgemäße Reparaturen können erhebliche Gefahren entstehen.



- Dieses Kühlgerät kann von Kindern ab 8 Jahren und darüber sowie von Personen mit verringerten physischen, sensorischen oder mentalen Fähigkeiten oder Mangel an Erfahrung und Wissen benutzt werden, wenn sie beaufsichtigt oder bezüglich des sicheren Gebrauchs des Kühlgerätes unterwiesen wurden und die daraus resultierenden Gefahren verstehen.
- Reinigung und Benutzer-Wartung dürfen nicht von Kindern ohne Beaufsichtigung durchgeführt werden.
- Kinder dürfen nicht mit dem Kühlgerät spielen.
- Kinder sollten beaufsichtigt werden, um sicherzustellen, dass sie nicht mit dem Kühlgerät spielen.
- Verwahren und benutzen Sie das Kühlgerät außerhalb der Reichweite von Kindern unter 8 Jahren.
- Lagern Sie keine explosionsfähigen Stoffe wie z. B. Sprühdosen mit brennbarem Treibgas im Kühlgerät.

**VORSICHT!**

- Trennen Sie das Kühlgerät von der Stromversorgung
  - vor jeder Reinigung und Pflege
  - nach jedem Gebrauch
- Lebensmittel dürfen nur in Originalverpackungen oder geeigneten Behältern eingelagert werden.

**ACHTUNG!**

- Vergleichen Sie die Spannungsangabe auf dem Typenschild mit der vorhandenen Energieversorgung.
- Schließen Sie das Kühlgerät nur wie folgt an:
  - mit dem Gleichstrom-Anschlusskabel an ein Gleichstromnetz im Fahrzeug
  - oder mit dem Wechselstrom-Anschlusskabel an ein Wechselstromnetz
- Ziehen Sie den Stecker nie am Anschlusskabel aus der Steckdose.
- Wenn das Kühlgerät an einer Gleichstrom-Steckdose angeschlossen ist: Klemmen Sie Ihr Kühlgerät und andere Verbraucher von der Fahrzeugbatterie ab, bevor Sie ein Schnellladegerät anschließen.
- Wenn das Kühlgerät an einer Gleichstrom-Steckdose angeschlossen ist: Trennen Sie die Verbindung oder schalten Sie das Kühlgerät aus, wenn Sie den Motor ausschalten. Sonst kann die Fahrzeugbatterie entladen werden.

- Das Kühlgerät ist nicht geeignet für den Transport ätzender oder lösungsmittelhaltiger Stoffe.
- Die Isolierung des Kühlgeräts enthält brennbares Zyklopentan und erfordert ein besonderes Entsorgungsverfahren. Führen Sie das Kühlgerät am Ende seiner Lebensdauer einer ordnungsgemäßen Entsorgung zu.

## 2.2 Sicherheit beim Betrieb des Kühlgerätes



### VORSICHT!

- Achten Sie vor der Inbetriebnahme darauf, dass Zuleitung und Stecker trocken sind.



### ACHTUNG!

- Benutzen Sie keine Elektrogeräte innerhalb des Kühlgerätes, außer wenn diese Elektrogeräte vom Hersteller dafür empfohlen werden.
- Stellen Sie das Kühlgerät nicht in der Nähe von offenen Flammen oder anderen Wärmequellen (Heizung, starke Sonneneinstrahlung, Gasöfen usw.) ab.
- **Überhitzungsgefahr!**  
Achten Sie stets darauf, dass beim Betrieb entstehende Wärme ausreichend abgeführt werden kann. Sorgen Sie dafür, dass das Kühlgerät in ausreichendem Abstand zu Wänden oder Gegenständen steht, sodass die Luft zirkulieren kann.
- Achten Sie darauf, dass die Lüftungsöffnungen nicht abgedeckt werden.
- Füllen Sie keine Flüssigkeiten oder Eis in den Innenbehälter.
- Tauchen Sie das Kühlgerät nie in Wasser.
- Schützen Sie das Kühlgerät und die Kabel vor Hitze und Nässe.

### 3 Lieferumfang

Nr. in Abb. <b>1</b> , Seite 3	Menge	Bezeichnung
1	1	Kühlbox
2	1	Anschlusskabel für 12/24 V---Anschluss
3	1	Anschlusskabel für 100 – 240-V~ -Anschluss
4	2	Tragegriff, bestehend aus: <ul style="list-style-type: none"> <li>– 2 Haltern</li> <li>– 1 Griffstück</li> <li>– 4 Befestigungsschrauben</li> </ul>
–	1	Bedienungsanleitung

### 4 Bestimmungsgemäßer Gebrauch

Die Kühlbox eignet sich zum Kühlen und Tiefkühlen von Lebensmitteln. Das Gerät ist auch für den Betrieb auf Booten geeignet.

Das Gerät ist für den Betrieb an einer 12-V--- oder 24 V---Bordnetzsteckdose eines Fahrzeugs (z. B. Zigarettenanzünder), Boots oder Wohnmobils sowie an einem 100 – 240-V~ -Wechselstromnetz ausgelegt.



#### **VORSICHT! Gesundheitsgefahr!**

Prüfen Sie bitte, ob die Kühlleistung des Gerätes den Anforderungen der Lebensmittel oder Medikamente entspricht, die Sie kühlen wollen.

### 5 Funktionsbeschreibung

Die Kühlbox kann Waren abkühlen und kühl halten sowie tiefkühlen. Die Kühlung erfolgt durch einen wartungsfreien Kühlkreislauf mit Kompressor. Die extrastarke Isolierung und der leistungsstarke Kompressor gewährleisten eine besonders schnelle Kühlung.

Die Kühlbox ist für den mobilen Einsatz geeignet.

Beim Einsatz auf Booten kann die Kühlbox einer Dauerkrängung von 30° ausgesetzt werden.

## 5.1 Funktionsumfang

- Netzteil mit Vorrangschaltung zum Anschluss an Wechselspannung
- Dreistufiger Batteriewächter zum Schutz der Fahrzeugbatterie
- Turbo-Modus zum schnelleren Kühlen
- Display mit Temperaturanzeige, wird bei niedriger Batteriespannung automatisch abgeschaltet
- Temperatureinstellung: Mit zwei Tasten in 1 °C (2 °F)-Schritten
- Montierbare Tragegriffe

## 5.2 Bedien- und Anzeigeelemente

### CF35, CF40

Verriegelung des Deckels: Abb. **2** 1, Seite 3

### CF35, CF40, CF50

Bedienfeld (Abb. **3**, Seite 3)

Pos.	Bezeichnung	Erklärung
1	ON OFF	Schaltet die Kühlbox ein oder aus, wenn die Taste ein bis zwei Sekunden gedrückt wird
2	POWER	Betriebsanzeige
		LED leuchtet grün: Kompressor ist an
		LED leuchtet orange: Kompressor ist aus
		LED blinkt orange: Display wurde automatisch abgeschaltet, weil die Batteriespannung niedrig ist
3	ERROR	LED blinkt rot: eingeschaltetes Gerät ist nicht betriebsbereit
4	SET	Wählt den Eingabemodus – Temperatureinstellung – Angabe von °Celsius oder °Fahrenheit – Batteriewächter einstellen
5	–	Display, zeigt die Werte an
6	UP +	Einmal antippen erhöht den gewählten Eingabewert
7	DOWN –	Einmal antippen verringert den gewählten Eingabewert

Anschlussbuchsen (Abb. **4**, Seite 4):

Pos.	Bezeichnung
1	Anschlussbuchse Wechselspannungsversorgung
2	Sicherungshalter
3	Anschlussbuchse Gleichspannungsversorgung

## 6 Bedienung

### 6.1 Vor dem ersten Gebrauch



#### HINWEIS

Bevor Sie die neue Kühlbox in Betrieb nehmen, sollten Sie sie aus hygienischen Gründen innen und außen mit einem feuchten Tuch reinigen (siehe auch Kapitel „Reinigung und Pflege“ auf Seite 36).

#### Griffe montieren

Die Griffe liegen lose bei. Falls Sie die Griffe montieren wollen, gehen Sie wie folgt vor:

- Stecken Sie jeweils zwei Halter (Abb. **5** 1, Seite 4) und ein Griffstück (Abb. **5** 2, Seite 4) zu einem Griff zusammen.
- Befestigen Sie den Griff mit den beiliegenden Schrauben in den vorgesehenen Bohrungen.

#### Deckelanschlag umdrehen (CF50)

Sie können den Deckelanschlag umdrehen, falls Sie den Deckel zur anderen Seite öffnen möchten. Gehen Sie hierzu wie folgt vor:

- Öffnen Sie den Deckel und ziehen Sie ihn heraus (Abb. **6** A, Seite 5).
- Drehen Sie den Deckel.
- Setzen Sie den Deckel in die Deckelaufnahmen auf der gegenüberliegenden Seite der Kühlbox ein (Abb. **6** B, Seite 5).

## Temperatureinheit wählen

Sie können zur Temperaturanzeige zwischen den Werten für °Celsius und °Fahrenheit wählen. Gehen Sie hierzu wie folgt vor:

- Schalten Sie die Kühlbox ein.
- Drücken Sie den Taster „SET“ (Abb. **3** 4, Seite 3) zweimal.
- Stellen Sie mit den Tastern „UP +“ (Abb. **3** 6, Seite 3) bzw. „DOWN –“ (Abb. **3** 7, Seite 3), die Temperatureinheit °Celsius oder °Fahrenheit ein.
- ✓ Das Display zeigt für einige Sekunden die eingestellte Temperatureinheit an. Das Display blinkt einige Male, bevor es zur Darstellung der aktuellen Temperatur zurückkehrt.

## 6.2 Tipps zum Energiesparen

- Wählen Sie einen gut belüfteten und vor Sonnenstrahlen geschützten Einsatzort.
- Lassen Sie warme Speisen erst abkühlen, bevor Sie sie im Kühlgerät kühl halten.
- Öffnen Sie das Kühlgerät nicht häufiger als nötig.
- Lassen Sie das Kühlgerät nicht länger offen als nötig.
- Tauen Sie das Kühlgerät ab, sobald sich eine Eisschicht gebildet hat.
- Vermeiden Sie eine unnötig tiefe Innentemperatur.

## 6.3 Kühlbox anschließen

### An eine Batterie anschließen (Fahrzeug oder Boot)

Die Kühlbox kann mit 12 V oder 24 V Gleichspannung betrieben werden.



#### **ACHTUNG! Beschädigungsgefahr!**

Klemmen Sie die Kühlbox und andere Verbraucher von der Batterie ab, bevor Sie die Batterie mit einem Schnellladegerät aufladen. Überspannungen können die Elektronik der Geräte beschädigen.

Zur Sicherheit ist die Kühlbox mit einem elektronischen Verpolungsschutz ausgestattet, der die Kühlbox gegen Verpolung beim Batterieanschluss und gegen Kurzschluss schützt.

- Stecken Sie das 12/24 V-Anschlusskabel (Abb. **1** 2, Seite 3) in die Gleichspannungs-Buchse und schließen Sie es an den Zigarettenanzünder oder eine 12-V- oder 24-V-Steckdose an.

## An ein 100 – 240-V-Wechselstromnetz anschließen (z. B. zu Hause oder im Büro)



### GEFAHR! Lebensgefahr durch Stromschlag!

- Hantieren Sie nie mit Steckern und Schaltern, wenn Sie nasse Hände haben oder mit den Füßen in der Nässe stehen.
- Wenn Sie Ihre Kühlbox an Bord eines Bootes per Landanschluss am 100 – 240-V-Wechselstromnetz betreiben, müssen Sie auf jeden Fall einen FI-Schutzschalter zwischen 100 – 240-V-Wechselstromnetz und Kühlbox schalten.  
Lassen Sie sich von einem Fachmann beraten.

Die Kühlboxen haben ein integriertes Multispannungsnetzteil mit Vorrangschaltung zum Anschluss an eine Wechselspannung von 100 – 240 V. Durch die Vorrangschaltung wird automatisch auf Netzbetrieb umgeschaltet, wenn das Gerät an ein 100 – 240-V-Wechselstromnetz angeschlossen ist, auch wenn das 12/24 V-Anschlusskabel noch angeschlossen ist.

Beim Umschalten zwischen Wechselstromnetz und Batterieversorgung kann für einige Minuten die rote LED leuchten.

- Stecken Sie das 100–240-V-Anschlusskabel (Abb. **1** 3, Seite 3) in die Wechselspannungsbuchse und schließen Sie es an das 100 – 240-V-Wechselstromnetz an.

## 6.4 Batteriewächter verwenden

Das Gerät ist mit einem mehrstufigen Batteriewächter ausgestattet, der Ihre Fahrzeugbatterie beim Anschluss an das 12/24 V-Bordnetz vor zu tiefer Entladung schützt.

Wird die Kühlbox bei ausgeschalteter Zündung im Fahrzeug betrieben, schaltet sich die Box selbstständig ab, sobald die Versorgungsspannung unter einen einstellbaren Wert abfällt. Die Kühlbox schaltet sich wieder ein, sobald durch Aufladung der Batterie die Wiedereinschaltspannung erreicht wird.



### ACHTUNG! Beschädigungsgefahr!

Die Batterie besitzt beim Abschalten durch den Batteriewächter nicht mehr ihre volle Ladekapazität, vermeiden Sie mehrmaliges Starten oder den Betrieb von Stromverbrauchern ohne längere Aufladephasen. Sorgen Sie dafür, dass die Batterie wieder aufgeladen wird.

Im Modus „HIGH“ spricht der Batteriewächter schneller an als in den Stufen „LOW“ und „MED“ (siehe folgende Tabelle).

Batteriewächter-Modus	LOW	MED	HIGH
Ausschaltspannung bei 12 V	10,1 V	11,4 V	11,8 V
Wiedereinschaltspannung bei 12 V	11,1 V	12,2 V	12,6 V
Ausschaltspannung bei 24 V	21,5 V	24,1 V	24,6 V
Wiedereinschaltspannung bei 24 V	23,0 V	25,3 V	26,2 V

Um den Modus für den Batteriewächter zu ändern gehen Sie wie folgt vor:

- ▶ Schalten Sie die Kühlbox ein.
- ▶ Drücken Sie den Taster „SET“ (Abb. **3** 4, Seite 3) dreimal.
- ▶ Stellen Sie mit den Tastern „UP +“ (Abb. **3** 6, Seite 3) bzw. „DOWN –“ (Abb. **3** 7, Seite 3), den Modus für den Batteriewächter ein.
- ✓ Das Display zeigt für einige Sekunden den eingestellten Modus an. Das Display blinkt einige Male, bevor es zur Darstellung der aktuellen Temperatur zurückkehrt.



### HINWEIS

Wenn die Kühlbox von der Starterbatterie versorgt wird, wählen Sie den Batteriewächter-Modus „HIGH“. Wenn die Kühlbox an eine Versorgungsbatterie angeschlossen ist, reicht der Batteriewächter-Modus „LOW“ aus.

Wenn Sie die Kühlbox am Wechselstromnetz betreiben wollen, stellen Sie den Batteriewächter auf „LOW“.

## 6.5 Kühlbox benutzen



### ACHTUNG! Überhitzungsgefahr!

Achten Sie stets darauf, dass beim Betrieb entstehende Wärme ausreichend abgeführt werden kann. Achten Sie darauf, dass die Lüftungsschlitze nicht abgedeckt werden. Sorgen Sie dafür, dass das Gerät in ausreichendem Abstand zu Wänden oder Gegenständen steht, sodass die Luft zirkulieren kann.



- Stellen Sie die Kühlbox auf eine feste Unterlage.  
Achten Sie darauf, dass die Lüftungsschlitze nicht abgedeckt sind und die erwärmte Luft gut abziehen kann.

**HINWEIS**

Stellen Sie die Kühlbox wie dargestellt auf (Abb. **1**, Seite 3). Wird die Box in einer anderen Position betrieben, so kann das Gerät Schaden nehmen.

- Schließen Sie die Kühlbox an, siehe Kapitel „Kühlbox anschließen“ auf Seite 30.

**HINWEIS**

Wenn Sie die Kühlbox am Wechselstromnetz betreiben wollen, stellen Sie den Batteriewächter auf „LOW“.

**ACHTUNG! Gefahr durch zu niedrige Temperatur!**

Achten Sie darauf, dass sich nur Gegenstände bzw. Waren in der Kühlbox befinden, die auf die gewählte Temperatur gekühlt werden dürfen.

- Drücken Sie den Taster „ON/OFF“ (Abb. **3** 1, Seite 3) für ein bis zwei Sekunden.
- ✓ Die LED „POWER“ leuchtet.
- ✓ Das Display (Abb. **3** 5, Seite 3) schaltet sich ein und zeigt die aktuelle Kühltemperatur an.

**HINWEIS**

Die angezeigte Temperatur bezieht sich auf die Mitte des Innenraums. Die Temperatur an anderen Stellen kann davon abweichen.

- ✓ Die Kühlbox startet mit dem Kühlen des Innenraums.

**HINWEIS**

Beim Betrieb an einer Batterie schaltet das Display automatisch ab, wenn die Batteriespannung niedrig ist. Die LED „POWER“ blinkt orange.

**Kühlbox verriegeln (CF35, CF40)**

- Schließen Sie den Deckel.
- Drücken Sie die Verriegelung (Abb. **2** 1, Seite 3) nach unten, bis sie hörbar einrastet.

## 6.6 Temperatur einstellen

- Drücken Sie den Taster „SET“ (Abb. **3** 4, Seite 3) einmal.
- Stellen Sie mit den Tastern „UP +“ (Abb. **3** 6, Seite 3) bzw. „DOWN –“ (Abb. **3** 7, Seite 3) die Kühltemperatur ein.
- ✓ Das Display zeigt für einige Sekunden die eingestellte gewünschte Kühltemperatur an. Das Display blinkt einige Male, bevor es zur Darstellung der aktuellen Temperatur zurückkehrt.

## 6.7 Kühlbox ausschalten

- Räumen Sie die Kühlbox leer.
- Schalten Sie die Kühlbox aus.
- Ziehen Sie das Anschlusskabel ab.

Wenn Sie die Kühlbox für längere Zeit nicht benutzen wollen:

- Lassen Sie den Deckel leicht geöffnet. So verhindern Sie, dass sich Gerüche bilden.

## 6.8 Kühlbox abtauen

Luftfeuchtigkeit kann sich am Verdampfer oder im Innenraum der Kühlbox als Reif niederschlagen, der die Kühlleistung verringert. Tauen Sie das Gerät rechtzeitig ab.



### **ACHTUNG! Beschädigungsgefahr!**

Verwenden Sie nie harte oder spitze Werkzeuge zum Entfernen von Eisschichten oder zum Lösen festgefrorener Gegenstände.

Gehen Sie wie folgt vor, um die Kühlbox abzutauen:

- Nehmen Sie das Kühlgut heraus.
- Lagern Sie es ggf. in einem anderen Kühlgerät, damit es kalt bleibt.
- Schalten Sie das Gerät ab.
- Lassen Sie den Deckel offen.
- Wischen Sie das Tauwasser auf.

## 6.9 Gerätesicherung austauschen



### **GEFAHR! Lebensgefahr durch Stromschlag!**

Ziehen Sie vor dem Austauschen der Gerätesicherung die Anschlusskabel ab.

- Ziehen Sie die Anschlusskabel ab.
- Hebeln Sie den Sicherungseinsatz (Abb. **4** 2, Seite 4) z. B. mit einem Schraubendreher heraus.
- Tauschen Sie die defekte Sicherung gegen eine neue Sicherung mit demselben Wert (T4AL 250V) aus.
- Drücken Sie den Sicherungseinsatz wieder in das Gehäuse.

## 6.10 Steckersicherung (12/24 V) austauschen

- Ziehen Sie die Ausgleichshülse (Abb. **7** 4, Seite 5) vom Stecker ab.
- Drehen Sie die Schraube (Abb. **7** 5, Seite 5) aus der oberen Gehäusehälfte (Abb. **7** 1, Seite 5) heraus.
- Heben Sie vorsichtig die obere Gehäusehälfte von der unteren (Abb. **7** 6, Seite 5) ab.
- Nehmen Sie den Kontaktstift (Abb. **7** 3, Seite 5) heraus.
- Tauschen Sie die defekte Sicherung (Abb. **7** 2, Seite 5) gegen eine neue Sicherung mit demselben Wert (8 A, 32 V) aus.
- Setzen Sie den Stecker in umgekehrter Reihenfolge wieder zusammen.



### **HINWEIS – Interne DC-Sicherung**

Im Gerät ist eine zusätzliche Gleichstromsicherung vorhanden (Flachstecksicherung, 10 A, gemäß Automobilstandard). Diese Sicherung darf nur durch einen zugelassenen Kundendienstbetrieb ausgetauscht werden.

## 6.11 Leuchtkörper wechseln

- ▶ Drücken Sie den Schaltpin (Abb. **8** 2, Seite 5) nach unten, sodass sich das transparente Teil (Abb. **8** 1, Seite 5) der Leuchte nach vorne abnehmen lässt.
- ▶ Tauschen Sie den Leuchtkörper aus.



### HINWEIS

Die LEDs im Leuchtkörper müssen zum transparenten Teil der Leuchte ausgerichtet sein.

- ▶ Setzen Sie das transparente Teil der Leuchte wieder in das Gehäuse ein.

## 7 Reinigung und Pflege



### WARNUNG!

Trennen Sie vor jeder Reinigung und Pflege das Kühlgerät von der Stromversorgung.



### ACHTUNG! Beschädigungsgefahr!

- Reinigen Sie das Kühlgerät niemals unter fließendem Wasser oder gar im Spülwasser.
- Verwenden Sie zur Reinigung keine scharfen Reinigungsmittel oder harten Gegenstände, da diese das Kühlgerät beschädigen können.

- ▶ Reinigen Sie das Kühlgerät innen und außen gelegentlich mit einem feuchten Tuch.
- ▶ Stellen Sie sicher, dass die Be- und Entlüftungsöffnungen des Kühlgerätes frei von Staub und Verunreinigungen sind, damit die beim Betrieb entstehende Wärme abgeführt werden kann und das Kühlgerät keinen Schaden nimmt.

## 8 Gewährleistung

Es gilt die gesetzliche Gewährleistungsfrist. Sollte das Produkt defekt sein, wenden Sie sich bitte an die Niederlassung des Herstellers in Ihrem Land (Adressen siehe Rückseite der Anleitung) oder an Ihren Fachhändler.

Zur Reparatur- bzw. Gewährleistungsbearbeitung müssen Sie folgende Unterlagen mitschicken:

- eine Kopie der Rechnung mit Kaufdatum,
- einen Reklamationsgrund oder eine Fehlerbeschreibung.

## 9 Störungsbeseitigung

Störung	Mögliche Ursache	Lösungsvorschlag
Das Gerät funktioniert nicht, LED leuchtet nicht.	An der 12/24 Volt-Steckdose (Zigarettenanzünder) im Fahrzeug liegt keine Spannung an.	In den meisten Fahrzeugen muss der Zündschalter eingeschaltet sein, damit der Zigarettenanzünder Spannung hat.
	Wechselspannungssteckdose führt keine Spannung.	Versuchen Sie es an einer anderen Steckdose.
	Gerätesicherung ist defekt.	Tauschen Sie die Gerätesicherung aus, siehe Kapitel „Gerätesicherung austauschen“ auf Seite 35.
	Das integrierte Netzteil ist defekt.	Die Reparatur kann nur von einem zugelassenen Kundendienstbetrieb durchgeführt werden.
Das Gerät kühlt nicht (Stecker ist eingesteckt, LED „POWER“ leuchtet).	Kompressor defekt.	Die Reparatur kann nur von einem zugelassenen Kundendienstbetrieb durchgeführt werden.
Das Gerät kühlt nicht (Stecker ist eingesteckt, LED „POWER“ blinkt orange, Display ist ausgeschaltet).	Batteriespannung nicht ausreichend.	Prüfen Sie die Batterie und laden Sie sie gegebenenfalls.

Störung	Mögliche Ursache	Lösungsvorschlag
Bei Betrieb an der Gleichstromsteckdose: Die Zündung ist eingeschaltet, das Gerät funktioniert nicht und die LED leuchtet nicht.	Die Gleichstromsteckdose ist verschmutzt. Das hat einen schlechten elektrischen Kontakt zur Folge.	Wenn der Stecker in der Gleichstromsteckdose sehr warm wird, muss entweder die Steckdose gereinigt werden oder der Stecker ist möglicherweise nicht richtig zusammengebaut.
	Die Sicherung des Gleichstromsteckers ist durchgebrannt.	Austausch der Sicherung im Gleichstromstecker, siehe Kapitel „Stecker-sicherung (12/24 V) austauschen“ auf Seite 35.
	Die Gleichstromsicherung im Gerät ist durchgebrannt.	Die Reparatur darf nur von einem zugelassenen Kundendienstbetrieb durchgeführt werden.
	Die Fahrzeugsicherung ist durchgebrannt.	Tauschen Sie die Sicherung der Gleichstromsteckdose des Fahrzeugs aus. Beachten Sie dazu die Bedienungsanleitung Ihres Fahrzeugs.
Das Display zeigt eine Fehlermeldung (z.B. „Err1“) an und das Gerät kühlt nicht.	Eine interne Betriebsstörung hat das Gerät ausgeschaltet.	Die Reparatur kann nur von einem zugelassenen Kundendienstbetrieb durchgeführt werden.

## 10 Entsorgung

- Geben Sie das Verpackungsmaterial möglichst in den entsprechenden Recycling-Müll.



Wenn Sie das Produkt endgültig außer Betrieb nehmen, informieren Sie sich bitte beim nächsten Recyclingcenter oder bei Ihrem Fachhändler über die zutreffenden Entsorgungsvorschriften.

# 11 Technische Daten

	<b>CF35</b>	<b>CF40</b>
Anschlussspannung:	12/24 V $\equiv$ und 100 – 240 V $\sim$	
Nennstrom:		
– 12 V $\equiv$ :	6,0 A	6,0 A
– 24 V $\equiv$ :	3,0 A	3,0 A
– 100 – 240 V $\sim$ :	1,3 bis 0,7 A	1,3 bis 0,7 A
Kühlleistung:	+10 °C bis –18 °C (+50 °F bis 0 °F)	
Kategorie:	1	1
Energieeffizienzklasse:	A+	A+
Energieverbrauch:	92 kWh/annum	101 kWh/annum
Nutzzinhalt:	31 l	37 l
Klimaklasse:	N, ST, T	N, ST, T
Umgebungstemperatur:	+16 °C – +43 °C	+16 °C – +43 °C
Schallemissionen:	45 dB(A)	45 dB(A)
Kühlmittelmenge:	38 g	41 g
CO <sub>2</sub> -Äquivalent:	0,054 t	0,059 t
Treibhauspotential (GWP):	1430	
Abmessungen (B x H x T) in mm:	580 x 385 x 360	580 x 445 x 360
Gewicht:	15 kg	16 kg

	<b>CF50</b>
Anschlussspannung:	12/24 V $\equiv$ und 100 – 240 V $\sim$
Nennstrom:	
– 12 V $\equiv$ :	7,0 A
– 24 V $\equiv$ :	3,0 A
– 100 – 240 V $\sim$ :	1,3 bis 0,7 A
Kühlleistung:	+10 °C bis –18 °C (+50 °F bis 0 °F)
Kategorie:	1
Energieeffizienzklasse:	A+
Energieverbrauch:	110 kWh/annum
Nutzzinhalt:	47 l
Klimaklasse:	N, ST, T
Umgebungstemperatur:	+16 °C – +43 °C
Schallemissionen:	45 dB(A)
Kühlmittelmenge:	41 g
CO <sub>2</sub> -Äquivalent:	0,059 t
Treibhauspotential (GWP):	1430
Abmessungen (BxHxT) in mm:	630 x 480 x 360
Gewicht:	18 kg



**HINWEIS**

Ab Umgebungstemperaturen von über 32 °C (90 °F) kann die minimale Temperatur nicht mehr erreicht werden.

Prüfung/Zertifikate:



Der Kühlkreis enthält R134a.

Enthält fluorierte Treibhausgase

Hermetisch geschlossene Einrichtung



**Veillez lire ce manuel avec attention avant de mettre l'appareil en service. Conservez ensuite ce manuel. En cas de passer de l'appareil, veuillez le transmettre au nouvel acquéreur.**

Le fabricant décline toute responsabilité en cas de dommages provoqués par une **utilisation non-conforme de l'appareil** ou **par des erreurs de manipulation**.

## Table des matières

<b>1</b>	<b>Explication des symboles</b> .....	42
<b>2</b>	<b>Consignes de sécurité</b> .....	42
2.1	Sécurité générale .....	42
2.2	Consignes de sécurité concernant le fonctionnement de l'appareil	44
<b>3</b>	<b>Contenu de la livraison</b> .....	44
<b>4</b>	<b>Usage conforme</b> .....	45
<b>5</b>	<b>Description du fonctionnement</b> .....	45
5.1	Fonctions de l'appareil .....	45
5.2	Commandes et affichage .....	46
<b>6</b>	<b>Utilisation</b> .....	47
6.1	Avant la première utilisation .....	47
6.2	Conseils pour économiser de l'énergie .....	48
6.3	Raccordement de la glacière .....	48
6.4	Utilisation du protecteur de batterie .....	49
6.5	Utilisation de la glacière .....	50
6.6	Réglage de la température .....	52
6.7	Mise hors-service de la glacière .....	52
6.8	Dégivrage de la glacière .....	52
6.9	Remplacement du fusible de l'appareil .....	53
6.10	Remplacement du fusible du connecteur (12/24 V) .....	53
6.11	Changer les éléments lumineux .....	54
<b>7</b>	<b>Nettoyage et entretien</b> .....	54
<b>8</b>	<b>Garantie</b> .....	55
<b>9</b>	<b>Dépannage</b> .....	55
<b>10</b>	<b>Retraitement</b> .....	56
<b>11</b>	<b>Caractéristiques techniques</b> .....	57

# 1 Explication des symboles

**DANGER !**

**Consigne de sécurité :** le non-respect de ces consignes entraîne la mort ou de graves blessures.

**AVERTISSEMENT !**

**Consigne de sécurité :** le non-respect de ces consignes peut entraîner la mort ou de graves blessures.

**ATTENTION !**

**Consigne de sécurité :** le non-respect de ces consignes peut entraîner des blessures.

**AVIS !**

Le non-respect de ces consignes peut entraîner des dommages matériels et des dysfonctionnements du produit.

**REMARQUE**

Informations complémentaires sur l'utilisation du produit.

## 2 Consignes de sécurité

### 2.1 Sécurité générale

**AVERTISSEMENT !**

- Si l'appareil présente des dégâts visibles, vous ne devez pas le mettre en service.
- Si le câble de raccordement de l'appareil est endommagé, il doit être remplacé par le fabricant, son service après-vente ou une personne de qualification similaire, afin d'éviter tout danger.
- Seul un personnel qualifié est habilité à effectuer des réparations sur l'appareil. Toute réparation mal effectuée risque d'entraîner de graves dangers.

- Les enfants âgés de 8 ans et plus ainsi que les personnes ayant des déficiences physiques, sensorielles ou mentales ou un manque d'expérience ou de connaissances peuvent utiliser ce produit à condition d'être sous surveillance ou d'avoir reçu des instructions concernant l'utilisation de l'appareil en toute sécurité et de comprendre les dangers qui en résultent.
- Le nettoyage et la maintenance ne doivent pas être effectués par des enfants sans surveillance.
- Les enfants ne doivent pas jouer avec cet appareil.
- Les enfants doivent être surveillés pour s'assurer qu'ils ne jouent pas avec l'appareil.
- Placez et utilisez l'appareil hors de portée des enfants de moins de 8 ans.
- Ne stockez aucune substance explosive comme p. ex. des aérosols contenant des agents propulseurs dans l'appareil.

**ATTENTION !**

- Débranchez l'appareil du secteur
  - avant tout nettoyage et entretien
  - après chaque utilisation
- Les aliments ne peuvent être conservés que dans leurs emballages originaux ou dans des récipients appropriés.

**AVIS !**

- Comparez la tension indiquée sur la plaque signalétique avec l'alimentation électrique dont vous disposez.
- Branchez l'appareil uniquement comme indiqué ci-dessous :
  - avec le câble de raccordement CC sur une prise CC du véhicule
  - ou avec le câble de raccordement CA au secteur à courant alternatif
- Ne tirez jamais sur le câble de raccordement pour sortir la fiche de la prise.
- Si la glacière est raccordée à la prise CC : débranchez de la batterie la glacière et les autres consommateurs d'énergie avant de raccorder un chargeur rapide.
- Si la glacière est raccordée à la prise CC : débranchez ou éteignez la glacière lorsque vous éteignez le moteur. Dans le cas contraire, il se pourrait que la batterie se décharge.
- N'utilisez pas la glacière pour le transport de produits corrosifs ou de solvants.

- Cette glacière contient du cyclopentane inflammable dans son isolation. Les gaz contenus dans le matériau d'isolation exigent une procédure de retraitement particulière. Une fois que vous ne l'utilisez plus, recyclez l'appareil de manière conforme.

## 2.2 Consignes de sécurité concernant le fonctionnement de l'appareil



### ATTENTION !

- Avant de mettre l'appareil en service, assurez-vous que la ligne d'alimentation électrique et la fiche sont sèches.



### AVIS !

- N'utilisez aucun appareil électrique dans la glacière, sauf si ces appareils sont recommandés par le fabricant pour cet usage.
- Ne placez pas l'appareil près de flammes ou d'autres sources de chaleur (chauffage, rayons solaires, réchauds à gaz, etc.).
- **Danger de surchauffe !**  
Veillez toujours à ce que la chaleur produite lors du fonctionnement soit suffisamment dissipée. Veillez à ce que l'appareil se trouve à une distance suffisante des murs ou des objets, de sorte que l'air puisse circuler.
- Assurez-vous que les fentes d'aération ne sont pas recouvertes.
- Ne pas remplir le bac intérieur de substances liquides ou de glace.
- Ne plongez jamais l'appareil dans l'eau.
- Tenez l'appareil et les câbles à l'abri de la chaleur et de l'humidité.

## 3 Contenu de la livraison

N° dans fig. 1, page 3	Quantité	Désignation
1	1	Glacière
2	1	Câble de raccordement pour prise 12/24 V $\equiv$
3	1	Câble de raccordement pour prise 100 – 240 V $\sim$

N° dans fig. 1, page 3	Quantité	Désignation
4	2	Poignée de transport, composée de : <ul style="list-style-type: none"> <li>- 2 fixations</li> <li>- 1 corps de poignée</li> <li>- 4 vis de fixation</li> </ul>
-	1	Manuel d'utilisation

## 4 Usage conforme

La glacière est conçue pour la réfrigération et la congélation de produits alimentaires. L'appareil peut également être utilisé sur des bateaux.

L'appareil peut être branché sur la prise d'alimentation 12 V $\equiv$  ou 24 V $\equiv$  d'un véhicule (par ex. un allume-cigare), d'un bateau ou d'un camping-car, ou être raccordé à un réseau à tension alternative de 100 – 240 V $\sim$ .



### **ATTENTION ! Risque pour la santé !**

Veuillez vérifier si la puissance frigorifique de l'appareil correspond à la température de conservation recommandée pour les aliments ou les médicaments que vous souhaitez refroidir.

## 5 Description du fonctionnement

La glacière permet de réfrigérer, de tenir au frais ou de congeler des produits. La réfrigération est assurée par un circuit de refroidissement à compresseur qui fonctionne ne nécessite aucune maintenance. Sa puissante isolation son compresseur performant garantissent un refroidissement particulièrement rapide.

La glacière convient pour une utilisation mobile.

En cas d'utilisation sur bateaux, la glacière peut supporter un angle de gîte permanent de 30°.

### 5.1 Fonctions de l'appareil

- Bloc d'alimentation avec raccordement prioritaire pour branchement sur une tension alternative
- Protecteur de batterie à trois niveaux pour protéger la batterie du véhicule
- Mode turbo pour un refroidissement plus rapide

- Ecran avec affichage de la température, s'éteint automatiquement lorsque la tension de la batterie est faible
- Réglage de la température: avec deux touches, par pas de 1 °C (2 °F)
- Poignées de transport montables

## 5.2 Commandes et affichage

### CF35, CF40

Verrouillage du couvercle : fig. **2** 1, page 3

### CF35, CF40, CF50

Panneau de commande (fig. **3**, page 3)

Pos.	Désignation	Signification
1	ON OFF	Permet d'allumer ou d'éteindre la glacière sur une pression d'une à deux seconde sur la touche
2	POWER	Témoin lumineux de fonctionnement La DEL s'allume en vert : le compresseur est en marche La DEL s'allume en orange : le compresseur est arrêté La DEL clignote en orange : l'écran a été automatiquement éteint parce que la tension de la batterie est faible
3	ERROR	La DEL clignote en rouge : l'appareil est allumé mais n'est pas prêt à fonctionner
4	SET	Permet de sélectionner le mode de saisie – Réglage de la température – Indication de degrés Celsius ou Fahrenheit – Réglage du protecteur de batterie
5	–	Ecran, affiche les valeurs
6	UP +	Une pression sur cette touche augmente la valeur de saisie sélectionnée
7	DOWN –	Une pression sur cette touche diminue la valeur de saisie sélectionnée

Prises de raccordement (fig. **4**, page 4) :

N°	Désignation
1	Prise de raccordement de l'alimentation en tension alternative
2	Porte-fusible
3	Prise de raccordement de l'alimentation en tension continue

## 6 Utilisation

### 6.1 Avant la première utilisation



#### REMARQUE

Avant de mettre en service votre nouvelle glacière, vous devez, pour des raisons d'hygiène, la nettoyer à l'intérieur et à l'extérieur à l'aide d'un tissu humide (voir aussi chapitre « Nettoyage et entretien », page 54).

#### Monter les poignées

Les poignées sont fournies démontées. Pour monter les poignées, procédez de la manière suivante :

- Assemblez deux fixations (fig. **5** 1, page 4) avec un corps de poignée (fig. **5** 2, page 4) pour former une poignée.
- Vissez la poignée ainsi constituée dans les orifices prévus à l'aide des vis fournies.

#### Retournement de la butée du couvercle (CF50)

Vous pouvez retourner la butée du couvercle si vous voulez ouvrir celui-ci par l'autre côté. Procédez comme suit :

- Ouvrez le couvercle et retirez-le (fig. **6** A, page 5).
- Tournez le couvercle.
- Placez le couvercle dans l'emplacement du couvercle situé du côté opposé de la glacière (fig. **6** B, page 5).

#### Sélection de l'unité de température

Vous pouvez sélectionner l'affichage de la température en degrés Celsius ou Fahrenheit. Procédez comme suit :

- Allumez la glacière.

- Appuyez deux fois sur la touche « SET » (fig. **3** 4, page 3).
- Sélectionnez l'unité de température (Celsius ou Fahrenheit) à l'aide des touches « UP + » (fig. **3** 6, page 3) ou « DOWN – » (fig. **3** 7, page 3).
- ✓ L'écran affiche l'unité de température sélectionnée pendant quelques secondes. L'écran clignote plusieurs fois avant de revenir à l'affichage de la température actuelle.

## 6.2 Conseils pour économiser de l'énergie

- Choisissez un emplacement bien aéré et à l'abri du soleil.
- Laissez refroidir les aliments chauds avant de les déposer dans la glacière.
- Ne pas ouvrir la glacière plus souvent que nécessaire.
- Ne laissez pas la glacière ouverte plus longtemps que nécessaire.
- Dégivrez la glacière dès qu'une couche de glace s'est formée.
- Évitez une température intérieure inutilement basse.

## 6.3 Raccordement de la glacière

### Raccordement à une batterie (automobile ou bateau)

La glacière peut être branchée sur une tension continue de 12 V ou de 24 V.



#### **AVIS ! Risque d'endommagement !**

Débranchez la glacière et les autres consommateurs d'énergie de la batterie avant de recharger la batterie avec un chargeur rapide. Les surtensions peuvent endommager l'électronique des appareils.

Pour des raisons de sécurité, la glacière est équipée d'une protection électronique contre les inversions de polarité en cas de raccordement à une batterie et contre les court-circuits.

- Branchez le câble de raccordement 12/24 V (fig. **1** 2, page 3) dans la prise pour tension continue et raccordez-le à l'allume-cigares ou à une prise 12 ou 24 V.



## Raccordement à un réseau à tension alternative de 100 – 240 V (p. ex. à la maison ou au bureau)



### **DANGER ! Danger de mort par électrocution !**

- Ne vous approchez pas de prises ou de commutateurs lorsque vous avez les mains mouillées ou les pieds dans l'eau.
- Si vous raccordez votre glacière à bord d'un bateau à un réseau à tension alternative 100 – 240 V l'intermédiaire d'une prise de quai, vous devez absolument brancher un disjoncteur différentiel entre le réseau 100 – 240 V et la glacière.  
Veuillez vous renseigner auprès d'un spécialiste.

Les glacières sont équipées d'un bloc d'alimentation intégré avec raccordement prioritaire pour branchement sur une tension alternative de 100 – 240 V. Il permet de passer directement en fonctionnement sur secteur quand l'appareil est raccordé à un réseau de courant alternatif 100 – 240 V, même si le câble de raccordement 12 V ou 24 V est encore branché.

Lors du basculement entre alimentation sur réseau à courant alternatif et sur batterie, la DEL rouge peut s'allumer pendant quelques minutes.

- Branchez le câble de raccordement 100–240 V (fig. **1** 3, page 3) sur la prise pour tension alternative et raccordez-le au secteur à courant alternatif 100 – 240 V.

## 6.4 Utilisation du protecteur de batterie

L'appareil est équipé d'un protecteur de batterie qui protège la batterie de votre véhicule, afin qu'elle ne se décharge pas excessivement lorsque la glacière est raccordée au réseau 12/24 V du véhicule.

Si la glacière est mise en service alors que l'allumage du véhicule est éteint, elle s'éteint automatiquement dès que la tension d'alimentation descend en dessous d'une valeur réglable. La glacière se rallume dès que la batterie est rechargée et que la tension de rallumage est atteinte.



### **AVIS ! Risque d'endommagement !**

Au moment de l'arrêt par le protecteur de batterie, la batterie ne possède plus toute sa capacité de charge ; évitez les démarrages répétés ou la mise en marche de consommateurs d'énergie, tant que la batterie n'a pas été rechargée. Veuillez à recharger la batterie.

En mode « HIGH », le protecteur de batterie se met en marche plus rapidement qu'en mode « LOW » ou « MED » (voir tableau suivant).

Mode protecteur de batterie	LOW	MED	HIGH
Tension d'arrêt pour 12 V	10,1 V	11,4 V	11,8 V
Tension de rallumage pour 12 V	11,1 V	12,2 V	12,6 V
Tension d'arrêt pour 24 V	21,5 V	24,1 V	24,6 V
Tension de rallumage pour 24 V	23,0 V	25,3 V	26,2 V

Pour modifier le mode du protecteur de batterie, procédez comme suit :

- ▶ Allumez la glacière.
- ▶ Appuyez trois fois sur la touche « SET » (fig. **3** 4, page 3).
- ▶ Sélectionnez le mode du protecteur de batterie à l'aide des touches « UP + » (fig. **3** 6, page 3) ou « DOWN – » (fig. **3** 7, page 3).
- ✓ L'écran affiche le mode sélectionné pendant quelques secondes. L'écran clignote plusieurs fois avant de revenir à l'affichage de la température actuelle.



#### REMARQUE

Lorsque la glacière est alimentée par la batterie de démarrage, réglez le protecteur de batterie sur le mode « HIGH ». Lorsque la glacière est raccordée à une batterie d'alimentation, le mode « LOW » suffit. Lorsque vous voulez faire fonctionner la glacière sur le réseau à tension alternative, réglez le protecteur de batterie sur le mode « LOW ».

## 6.5 Utilisation de la glacière



#### AVIS ! Danger de surchauffe !

Veillez toujours à ce que la chaleur produite lors du fonctionnement puisse se dissiper suffisamment. Assurez-vous que les fentes d'aération ne sont pas recouvertes. Veillez à ce que l'appareil se trouve à distance suffisante des murs ou des objets, de sorte que l'air puisse circuler.

- ▶ Placez la glacière sur une surface stable. Veillez à ce que les fentes d'aération ne soient pas recouvertes, afin que l'air chaud puisse bien s'évacuer.

**REMARQUE**

Montez la glacière comme indiqué sur l'illustration (voir fig.). Si la glacière est utilisée dans une autre position, elle risque d'être endommagée.

- Raccordez la glacière (voir chapitre « Raccordement de la glacière », page 48).

**REMARQUE**

Lorsque vous voulez faire fonctionner la glacière sur le réseau à tension alternative, réglez le protecteur de batterie sur le mode « LOW ».

**AVIS ! Risque de températures trop basses !**

Veillez à ne déposer dans la glacière que des objets ou des aliments qui peuvent être réfrigérés à la température sélectionnée.

- Appuyez pendant une à deux secondes sur la touche « ON/OFF » (fig. **3** 1, page 3).
- ✓ La DEL « POWER » s'allume.
- ✓ L'écran (fig. **3** 5, page 3) s'allume et indique la température actuelle.

**REMARQUE**

La température affichée est celle du centre du compartiment intérieur. Il est possible que la température varie selon la position.

- ✓ La glacière commence par la réfrigération du compartiment intérieur.

**REMARQUE**

En cas de fonctionnement sur batterie, l'écran s'éteint automatiquement lorsque la tension de la batterie est faible.  
La DEL « POWER » clignote en orange.

**Verrouiller la glacière (CF35, CF40)**

- Fermez le couvercle.
- Abaissez le verrouillage (fig. **2** 1, page 3) jusqu'à ce qu'il s'enclenche audiblement.

## 6.6 Réglage de la température

- Appuyez une fois sur la touche « SET » (fig. **3** 4, page 3).
- Sélectionnez la température de refroidissement à l'aide des touches « UP + » (fig. **3** 6, page 3) ou « DOWN – » (fig. **3** 7, page 3).
- ✓ L'affichage indique pendant quelques secondes la température de refroidissement réglée. L'écran clignote plusieurs fois avant de revenir à l'affichage de la température actuelle.

## 6.7 Mise hors-service de la glacière

- Videz la glacière.
- Eteignez la glacière.
- Débranchez le câble de raccordement.

Lorsque vous ne voulez pas utiliser la glacière pendant une période prolongée :

- Laissez le couvercle légèrement ouvert. Vous évitez ainsi la formation d'odeurs.

## 6.8 Dégivrage de la glacière

L'humidité de l'air peut se condenser sous forme de givre au niveau de l'évaporateur ou à l'intérieur de la glacière et diminuer ainsi sa puissance frigorifique. Veillez donc à dégivrer l'appareil à temps.



### **AVIS ! Risque d'endommagement !**

N'utilisez jamais d'outils durs ou pointus pour enlever les couches de glace ou pour détacher des objets pris dans le givre.

Procédez de la manière suivante pour dégivrer la glacière :

- Retirez les aliments.
- Placez-les éventuellement dans un autre réfrigérateur, pour qu'ils restent froids.
- Eteignez l'appareil.
- Laissez le couvercle ouvert.
- Essuyez l'eau provenant du dégivrage.

## 6.9 Remplacement du fusible de l'appareil



### **DANGER ! Danger de mort par électrocution !**

Avant de remplacer le fusible, retirez les câbles de raccordement.

- Débranchez les câbles de raccordement.
- Retirez le porte-fusible (fig. **4** 2, page 4) en faisant par ex. levier avec un tournevis.
- Remplacez le fusible défectueux par un nouveau fusible de même valeur (T4AL 250V).
- Remplacez le porte-fusible dans le boîtier, en appuyant dessus.

## 6.10 Remplacement du fusible du connecteur (12/24 V)

- Dévissez le compensateur (fig. **7** 4, page 5) du connecteur.
- Retirez la vis (fig. **7** 5, page 5) de la partie supérieure du boîtier (fig. **7** 1, page 5).
- Soulevez avec précaution la partie supérieure du boîtier pour la séparer de la partie inférieure (fig. **7** 6, page 5).
- Retirez la fiche de contact (fig. **7** 3, page 5).
- Remplacez le fusible défectueux (fig. **7** 2, page 5) par un nouveau fusible de même valeur (8 A, 32 V).
- Remontez le connecteur en effectuant les opérations dans l'ordre inverse.



### **REMARQUE – Fusible CC interne**

Il y a un fusible CC supplémentaire à l'intérieur de l'appareil (fusible lame standard automobile, 10 A). Ce fusible doit être remplacé uniquement par un service après-vente agréé.

## 6.11 Changer les éléments lumineux

- Appuyez sur la tige de contact (fig. 8 2, page 5) pour que la partie transparente (fig. 8 1, page 5) de la lampe puisse être retirée par devant.
- Remplacez l'élément lumineux.



### REMARQUE

Les DEL de l'élément lumineux doivent être orientées vers la partie transparente de la lampe.

- Replacez la partie transparente de la lampe dans le boîtier.

## 7 Nettoyage et entretien



### AVERTISSEMENT !

Avant toute opération de nettoyage ou d'entretien de l'appareil, veillez à le mettre hors secteur.



### AVIS ! Risque d'endommagement !

- Ne nettoyez jamais la glacière à l'eau courante et ne la plongez pas non plus dans l'eau.
- N'utilisez pour le nettoyage ni produits abrasifs ni objets durs qui pourraient endommager la glacière.

- Nettoyez de temps à autre l'appareil à l'intérieur et à l'extérieur avec un chiffon humide.
- Assurez-vous que les ouvertures d'aération et de ventilation de l'appareil ne sont pas encombrées de saletés ou de poussières, pour que la chaleur générée par le fonctionnement soit évacuée et que l'appareil ne soit pas endommagé.

## 8 Garantie

Le délai légal de garantie s'applique. Si le produit s'avérait défectueux, veuillez vous adresser à la filiale du fabricant située dans votre pays (voir adresses au verso du présent manuel) ou à votre revendeur spécialisé.

Veuillez y joindre les documents suivants pour la gestion des réparations et de la garantie :

- une copie de la facture avec la date d'achat,
- le motif de la réclamation ou une description du dysfonctionnement.

## 9 Dépannage

Dysfonctionnement	Cause éventuelle	Solution proposée
L'appareil ne fonctionne pas, la DEL n'est pas allumée.	La prise 12/24 Volts (allume-cigares) de votre véhicule n'est pas sous tension.	Dans la plupart des véhicules, le contact doit être mis pour que l'allume-cigares soit sous tension.
	La prise de tension alternative n'est pas sous tension.	Essayez sur une autre prise.
	Le fusible de l'appareil est défectueux.	Remplacez le fusible de l'appareil (voir chapitre « Remplacement du fusible de l'appareil », page 53).
	Le bloc d'alimentation intégré est défectueux.	La réparation peut être effectuée uniquement par un service après-vente agréé.
L'appareil ne réfrigère pas (le connecteur est branché, la DEL « POWER » est allumée).	Compresseur défectueux.	La réparation peut être effectuée uniquement par un service après-vente agréé.
L'appareil ne réfrigère pas (le connecteur est branché, la DEL « POWER » clignote en orange, l'écran est éteint).	La tension de la batterie est insuffisante.	Contrôlez la batterie et chargez-la si nécessaire.

Dysfonctionnement	Cause éventuelle	Solution proposée
En cas d'utilisation sur la prise de courant continu : L'allumage est en marche, l'appareil ne fonctionne pas et la LED n'est pas allumée.	La prise de courant continu est sale. Ceci entraîne un mauvais contact électrique.	Si le connecteur devient très chaud lorsqu'il est branché dans la prise de l'allume-cigare, c'est que la prise de l'allume-cigare doit être nettoyée ou que le connecteur n'est pas bien monté.
	Le fusible de sécurité du câble de raccordement a grillé.	Remplacez le fusible de la prise CC, voir chapitre « Remplacement du fusible du connecteur (12/24 V) », page 53.
	Le fusible CC à l'intérieur de l'appareil a sauté.	La réparation doit être effectuée uniquement par un service après-vente agréé.
	Le fusible du véhicule est grillé.	Remplacez le fusible de la prise CC du véhicule. Veuillez vous référer au manuel d'utilisation de votre véhicule.
Un message d'erreur s'affiche (p. ex. « Err1 ») et l'appareil ne réfrigère pas.	Un dysfonctionnement interne a arrêté l'appareil.	La réparation peut être effectuée uniquement par un service après-vente agréé.

## 10 Retraitement

- Jetez les emballages dans les conteneurs de déchets recyclables prévus à cet effet.



Lorsque vous mettez votre produit définitivement hors service, informez-vous auprès du centre de recyclage le plus proche ou auprès de votre revendeur spécialisé sur les prescriptions relatives au retraitement des déchets.



# 11 Caractéristiques techniques

	<b>CF35</b>	<b>CF40</b>
Tension de raccordement :	12/24 V $\overline{\text{=}}$ et 100 – 240 V $\sim$	
Courant nominal :		
– 12 V $\overline{\text{=}}$ :	6,0 A	6,0 A
– 24 V $\overline{\text{=}}$ :	3,0 A	3,0 A
– 100 – 240 V $\sim$ :	1,3 à 0,7 A	1,3 à 0,7 A
Puissance frigorifique :	de +10 °C à –18 °C (+50 °F à 0 °F)	
Catégorie :	1	1
Catégories d'efficacité d'énergie :	A+	A+
Consommation électrique :	92 kWh/an	101 kWh/an
Capacité utile :	31 l	37 l
Classe climatique :	N, ST, T	N, ST, T
Température ambiante :	+16 °C – +43 °C	+16 °C – +43 °C
Emissions sonores :	45 dB(A)	45 dB(A)
Quantité de fluide frigorigène :	38 g	41 g
Équivalent CO <sub>2</sub> :	0,054 t	0,059 t
Potentiel d'effet de serre (GWP) :	1430	
Dimensions (L x h x p, mm) :	580 x 385 x 360	580 x 445 x 360
Poids :	15 kg	16 kg

	<b>CF50</b>
Tension de raccordement :	12/24 V $\equiv$ et 100 – 240 V $\sim$
Courant nominal :	
– 12 V $\equiv$ :	7,0 A
– 24 V $\equiv$ :	3,0 A
– 100 – 240 V $\sim$ :	1,3 à 0,7 A
Puissance frigorifique :	de +10 °C à –18 °C (+50 °F à 0 °F)
Catégorie :	1
Catégories d'efficacité d'énergie :	A+
Consommation électrique :	110 kWh/an
Capacité utile :	47 l
Classe climatique :	N, ST, T
Température ambiante :	+16 °C – +43 °C
Emissions sonores :	45 dB(A)
Quantité de fluide frigorigène :	41 g
Équivalent CO <sub>2</sub> :	0,059 t
Potentiel d'effet de serre (GWP) :	1430
Dimensions (L x h x p, mm) :	630 x 480 x 360
Poids :	18 kg

**REMARQUE**

La température minimale ne peut plus être atteinte à des températures ambiantes supérieures à +32 °C (+90 °F).

Contrôle/certificats :



Le circuit de refroidissement contient du R134a.

Contient des gaz à effet de serre fluorés

Équipement hermétiquement scellé

**Lea atentamente este manual antes de la puesta en funcionamiento del aparato y consérvelo en un lugar seguro para futuras consultas. En caso de vender o entregar el aparato a otra persona, entregue también estas instrucciones.**

El fabricante declina toda responsabilidad por los daños causados por **el uso inadecuado** o por el **uso incorrecto** del aparato.

## Índice

<b>1</b>	<b>Aclaración de los símbolos</b> .....	60
<b>2</b>	<b>Indicaciones de seguridad</b> .....	60
2.1	Seguridad general. ....	60
2.2	Seguridad durante el funcionamiento del aparato .....	62
<b>3</b>	<b>Volumen de entrega</b> .....	62
<b>4</b>	<b>Uso adecuado</b> .....	63
<b>5</b>	<b>Descripción del funcionamiento</b> .....	63
5.1	Indicaciones relativas al funcionamiento .....	63
5.2	Elementos de mando y de indicación .....	64
<b>6</b>	<b>Manejo</b> .....	65
6.1	Antes del primer uso .....	65
6.2	Consejos para el ahorro de energía .....	66
6.3	Conexión de la nevera .....	66
6.4	Uso del controlador de la batería .....	67
6.5	Uso de la nevera .....	68
6.6	Ajustar la temperatura .....	70
6.7	Desconectar la nevera .....	70
6.8	Descongelar la nevera .....	70
6.9	Sustituir el fusible del aparato .....	71
6.10	Cambiar el fusible de la clavija (12/24 V) .....	71
6.11	Cambiar el elemento luminoso .....	71
<b>7</b>	<b>Limpieza y mantenimiento</b> .....	72
<b>8</b>	<b>Garantía legal</b> .....	72
<b>9</b>	<b>Solución de averías</b> .....	73
<b>10</b>	<b>Eliminación de desechos</b> .....	74
<b>11</b>	<b>Datos técnicos</b> .....	75

# 1 Aclaración de los símbolos

**¡PELIGRO!**

**Indicación de seguridad:** su incumplimiento acarrea la muerte o graves lesiones.

**¡ADVERTENCIA!**

**Indicación de seguridad:** su incumplimiento puede acarrear la muerte o graves lesiones.

**¡ATENCIÓN!**

**Indicación de seguridad:** su incumplimiento puede acarrear lesiones.

**¡AVISO!**

Su incumplimiento puede acarrear daños materiales y perjudicar el correcto funcionamiento del producto.

**NOTA**

Información adicional para el manejo del producto.

## 2 Indicaciones de seguridad

### 2.1 Seguridad general

**¡ADVERTENCIA!**

- No ponga el aparato en funcionamiento si presenta desperfectos visibles.
- Si se daña el cable de conexión del aparato, éste deberá ser reemplazado por el fabricante, su servicio de atención al cliente o una persona cualificada para evitar así posibles peligros.
- Sólo personal especializado puede realizar reparaciones en el aparato. Las reparaciones realizadas indebidamente pueden dar lugar a situaciones de considerable peligro.

- Los niños mayores de 8 años y las personas de capacidad física, sensorial o mental disminuida, así como aquellas personas con falta de experiencia y/o conocimientos suficientes solo podrán utilizar este aparato si están vigilados o han sido instruidos respecto al uso seguro del aparato y a los posibles peligros que pueden emanar de él.
- Los niños solo podrán realizar las tareas de limpieza y mantenimiento bajo vigilancia.
- Los niños no están autorizados a jugar con el aparato.
- Se ha de vigilar a los niños para garantizar que no usen este aparato como juguete.
- Mantenga y utilice el aparato fuera del alcance de los niños menores de 8 años.
- No guarde en el aparato sustancias con peligro de explosión como, p. ej., atomizadores con gases combustibles.



### ¡ATENCIÓN!

- Desconecte el aparato de la red
  - antes de realizar cualquier tarea de limpieza y mantenimiento;
  - después de cada uso.
- Los alimentos sólo se pueden guardar en los envases originales o en recipientes adecuados.



### ¡AVISO!

- Compare el valor de tensión indicado en la placa de características con el suministro de energía existente.
- Conecte el aparato únicamente del siguiente modo:
  - conecte el cable de alimentación CC a una caja de enchufe CC en el vehículo
  - o bien conecte el cable de alimentación de CA a la red de corriente alterna
- No extraiga nunca la clavija de la caja de enchufe tirando del cable de conexión.
- Si la nevera está conectada a la caja de enchufe CC: Desconecte de la batería el aparato refrigerador u otros dispositivos consumidores si va a conectar un cargador rápido.
- Si la nevera está conectada a la caja de enchufe CC: Desconecte la conexión o apague el aparato cuando apague el motor. De lo contrario podrá descargarse la batería.
- Este aparato refrigerador no es apto para transportar sustancias corrosivas o disolventes.

- Este aislamiento de este aparato refrigerador contiene ciclopentano inflamable. Los gases presentes en el material aislante requieren un proceso de eliminación especial. Elimine debidamente el aparato al final de su vida útil.

## 2.2 Seguridad durante el funcionamiento del aparato



### ¡ATENCIÓN!

- Antes de la puesta en funcionamiento, asegúrese de que el cable de alimentación y la clavija de enchufe estén secos.



### ¡AVISO!

- No utilice ningún aparato eléctrico dentro de la nevera, a no ser que el aparato en cuestión haya sido recomendado para ello por el fabricante.
- No coloque el aparato cerca de llamas vivas ni de otras fuentes de calor (calefacción, radiación directa del sol, estufas de gas, etc.).
- **¡Peligro de sobrecalentamiento!**  
Asegúrese todo el tiempo de que el calor producido durante el funcionamiento se puede desalojar adecuadamente. Asegúrese de que el aparato guarda la suficiente distancia con las paredes u objetos, de forma que el aire pueda circular.
- Procure que no se obstruyan las ranuras de ventilación.
- No introduzca líquidos ni hielo en el contenedor interior.
- No sumerja nunca el aparato en agua.
- Proteja el aparato y los cables del calor y de la humedad.

## 3 Volumen de entrega

N.º en fig. <b>1</b> , página 3	Cantidad	Denominación
1	1	Nevera
2	1	Cable de alimentación para conexión de 12/24 V===
3	1	Cable de conexión para 100 – 240 V~

N.º en fig. 1, página 3	Cantidad	Denominación
4	2	Asa de transporte, compuesta de: <ul style="list-style-type: none"> <li>– 2 soportes</li> <li>– 1 asa</li> <li>– 4 tornillos de fijación</li> </ul>
–	1	Instrucciones de uso

## 4 Uso adecuado

La nevera es apta tanto para enfriar como para congelar los alimentos. El aparato también es apto para su funcionamiento en embarcaciones.

El aparato está diseñado para el uso de una caja de enchufe de a bordo de 12 V $\text{---}$  ó 24 V $\text{---}$  de un vehículo (por ejemplo, el mechero del vehículo), de una embarcación o una caravana, así como para una corriente alterna de 100 – 240 V $\sim$ .



### ¡ATENCIÓN! ¡Riesgo para la salud!

Compruebe si la potencia de refrigeración del aparato cumple las exigencias de los alimentos o medicamentos que desea enfriar.

## 5 Descripción del funcionamiento

En la nevera se pueden enfriar y mantener fríos los productos, así como congelar. La refrigeración se realiza a través de un circuito de refrigeración con compresor que no requiere mantenimiento. El aislamiento exterior extrafuerte y el compresor de alto rendimiento garantizan una refrigeración especialmente rápida.

La nevera está prevista para un uso portátil.

Para su uso en embarcaciones, la nevera puede funcionar con un ángulo de escora constante de 30°.

### 5.1 Indicaciones relativas al funcionamiento

- Fuente de alimentación con conexión de prioridad para la conexión a la corriente alterna
- Controlador de la batería de tres etapas para proteger la batería del vehículo
- Modo Turbo para un enfriamiento rápido

- La pantalla con indicación de temperatura se apaga automáticamente en caso de una tensión baja de la batería
- Ajuste de temperatura: Con dos pulsadores en pasos de 1 °C (2 °F)
- Asa de transporte desmontable

## 5.2 Elementos de mando y de indicación

### CF35, CF40

Bloqueo de la tapa: fig. **2** 1, página 3

### CF35, CF40, CF50

Panel de mando (fig. **3**, página 3)

Pos.	Denominación	Explicación
1	ON OFF	Enciende o apaga la nevera cuando se pulsa la tecla durante uno o dos segundos
2	POWER	Indicación del modo de funcionamiento LED iluminado en verde: el compresor está en marcha LED iluminado en naranja: el compresor está apagado LED parpadea en naranja: La pantalla se apaga automáticamente porque la tensión de la batería es baja
3	ERROR	LED parpadea en rojo: el aparato conectado no está listo para funcionar
4	SET	Selecciona el modo de entrada de datos – ajuste de temperatura – indicación en °Celsius o °Fahrenheit – ajuste del controlador de la batería
5	–	Display, indica la temperatura
6	UP +	Pulsando una vez, aumenta el valor de entrada
7	DOWN –	Pulsando una vez, disminuye el valor de entrada

Conectores (fig. **4**, página 4):



Pos.	Denominación
1	Conectores para la alimentación de corriente alterna
2	Portafusible
3	Conectores para la alimentación de corriente continua

## 6 Manejo

### 6.1 Antes del primer uso



#### NOTA

Por razones de higiene, debería limpiar la nueva nevera por dentro y por fuera con un paño húmedo antes de ponerla en funcionamiento (véase también capítulo “Limpieza y mantenimiento” en la página 72).

#### Montaje de las asas

Las asas se adjuntan sueltas. Si las quiere montar, proceda como se indica a continuación:

- ▶ Monte dos soportes (fig. **5** 1, página 4) y un asa (fig. **5** 2, página 4) formando una unidad.
- ▶ Fije el asa con los tornillos adjuntos en los orificios previstos para ello.

#### Dar la vuelta al tope de la tapa (CF50)

Puede dar la vuelta al tope de la tapa, en caso de que desee abrir la tapa hacia el otro lado. Para ello proceda de la siguiente manera:

- ▶ Abra la tapa y extráigala (fig. **6** A, página 5).
- ▶ Gire la tapa.
- ▶ Coloque la tapa en sus alojamientos del lado contrario de la nevera (fig. **6** B, página 5).

#### Seleccionar la unidad de temperatura

Para la indicación de temperatura puede elegir entre °Celsius o °Fahrenheit. Para ello proceda de la siguiente manera:

- ▶ Encienda la nevera.

- Pulse el botón "SET" (fig. **3** 4, página 3) dos veces.
- Ajuste con las teclas "UP +" (fig. **3** 6, página 3) o "DOWN -" (fig. **3** 7, página 3) la unidad de temperatura °Celsius o °Fahrenheit.
- ✓ El display indica durante unos segundos la unidad de temperatura ajustada. El display parpadea algunas veces antes de volver a mostrar la temperatura actual.

## 6.2 Consejos para el ahorro de energía

- Elija un lugar de emplazamiento correctamente ventilado y protegido de la radiación solar.
- Antes de introducir alimentos calientes, deje que se enfríen.
- Evite abrir la nevera más de lo necesario.
- No deje la nevera abierta más tiempo del que sea necesario.
- Descongele la nevera cuando se forme una capa de escarcha.
- Evite utilizar temperaturas innecesariamente bajas.

## 6.3 Conexión de la nevera

### Conexión a una batería (Vehículo o embarcación)

La nevera puede funcionar con una tensión continua de 12 V ó 24 V.



#### **¡AVISO! ¡Peligro de daños en el aparato!**

Antes de cargar la batería con un cargador rápido, desconéctela de la nevera y de otros consumidores.

La sobretensión puede dañar el sistema electrónico del aparato.

Por motivos de seguridad, la nevera está equipada con una protección electrónica contra inversión de polaridad que la protege si no se respeta la polaridad al conectarla a la batería y contra cortocircuitos.

- Enchufe el cable de alimentación de 12/24 V (fig. **1** 2, página 3) en el conector de tensión continua y conéctelo al mechero del vehículo o a una caja de enchufe de 12 V ó 24 V.

## Conexión a la red de corriente alterna de 100 – 240 V (p. ej., en casa o en la oficina)



### ¡PELIGRO! ¡Peligro de muerte por descarga eléctrica!

- No manipule los enchufes ni interruptores con las manos mojadas o con los pies sobre una superficie mojada.
- Si usa la nevera en una embarcación a través de una conexión de tierra de corriente alterna de 100 – 240 V, deberá conectar un interruptor diferencial entre la red de 100 – 240 V y el refrigerador. Consulte con un especialista.

Las neveras tienen una fuente de alimentación integrada de tensión múltiple con conexión de prioridad para la conexión de tensión alterna de 100 – 240 V. Mediante la conexión de prioridad se cambia de forma automática al funcionamiento con corriente de red, cuando se conecte el aparato a la red de corriente alterna de 100 – 240 V, aunque esté conectado de cable de conexión de 12/24 V.

Al cambiar entre la red de corriente alterna y la alimentación por batería, es posible que el LED rojo se ilumine durante unos minutos.

- ▶ Introduzca el cable de conexión de 100–240 V (fig. **1** 3, página 3) en el conector de tensión alterna y conéctelo a la red de corriente alterna de 100 – 240 V.

## 6.4 Uso del controlador de la batería

El aparato está equipado con un controlador de la batería de varios niveles que evita que la batería del vehículo se descargue excesivamente al utilizar la red de a bordo de 12/24 V.

En caso de poner en funcionamiento la nevera en el vehículo con el contacto apagado, ésta se desconectará automáticamente en cuanto descienda la tensión de alimentación por debajo del valor programable. La nevera vuelve a conectarse tan pronto como se cargue la batería y se alcance la tensión de alimentación de reconexión.



### ¡AVISO! ¡Peligro de daños en el aparato!

Al apagarse mediante el controlador de la batería la batería ya no dispone de su capacidad de carga completa, evite continuos arranques o poner en funcionamiento otros consumidores de corriente sin haber recargado la batería. Asegúrese de recargar la batería.

En el modo "HIGH" el controlador de batería se activa antes que en el nivel "LOW" y "MED" (véase la siguiente tabla).

Modo de controlador de la batería	LOW	MED	HIGH
Tensión de desconexión a 12 V	10,1 V	11,4 V	11,8 V
Tensión de reconexión a 12 V	11,1 V	12,2 V	12,6 V
Tensión de desconexión a 24 V	21,5 V	24,1 V	24,6 V
Tensión de reconexión a 24 V	23,0 V	25,3 V	26,2 V

Para cambiar el modo del controlador de la batería, proceda como sigue:

- ▶ Encienda la nevera.
- ▶ Pulse el botón "SET" (fig. **3** 4, página 3) tres veces.
- ▶ Ajuste con las teclas "UP +" (fig. **3** 6, página 3) o "DOWN -" (fig. **3** 7, página 3) el modo del controlador de la batería.
- ✓ El display indica durante unos segundos el modo del controlador de la batería. El display parpadea algunas veces antes de volver a mostrar la temperatura actual.



#### NOTA

Cuando la nevera está alimentada por la batería de arranque, seleccione el modo de controlador de la batería "HIGH". Cuando la nevera está alimentada por la batería de abastecimiento, es suficiente el modo de controlador de la batería "LOW".

Cuando utilice la nevera conectada a la red de corriente alterna, ponga el controlador de la batería en la posición "LOW".

## 6.5 Uso de la nevera



### ¡AVISO! ¡Peligro de sobrecalentamiento!

Asegúrese todo el tiempo de que el calor producido durante el funcionamiento se pueda desalojar adecuadamente. Evite que se obstruyan las ranuras de ventilación. Asegúrese de que el aparato guarde la suficiente distancia con las paredes u objetos, de forma que el aire pueda circular.

- ▶ Coloque la nevera sobre una base firme.  
Procure que no se obstruyan las ranuras de ventilación y que el aire recalentado se evacue correctamente.

**NOTA**

Coloque la nevera como aparece representado (véase fig.). Si la nevera se pone en marcha situada en otra posición, podría dañar el aparato.

- ▶ Conecte la nevera, véase capítulo “Conexión de la nevera” en la página 66.

**NOTA**

Cuando utilice la nevera conectada a la red de corriente alterna, ponga el controlador de la batería en la posición “LOW”.

**¡AVISO! ¡Peligro debido a temperatura demasiado baja!**

Asegúrese de que en la nevera solo hay objetos o productos que puedan enfriarse a la temperatura seleccionada.

- ▶ Pulse el botón “ON/OFF” (fig. **3** 1, página 3) durante uno o dos segundos.
- ✓ El LED “POWER” se ilumina.
- ✓ La pantalla (fig. **3** 5, página 3) se enciende e indica la temperatura de enfriado actual.

**NOTA**

La temperatura indicada se refiere al centro del compartimiento interior. La temperatura de otras partes puede ser diferente.

- ✓ La nevera empezará a refrigerar el interior.

**NOTA**

Durante el funcionamiento con batería, la pantalla se apaga automáticamente si la tensión de la batería es baja. El LED “POWER” parpadea en naranja.

**Bloqueo de la nevera (CF35, CF40)**

- ▶ Cierre la tapa.
- ▶ Presione el bloqueo hacia abajo (fig. **2** 1, página 3) hasta que se la oiga encajar.

## 6.6 Ajustar la temperatura

- Pulse el botón "SET" (fig. **3** 4, página 3) una vez.
- Ajuste la temperatura de enfriamiento con las teclas "UP +" (fig. **3** 6, página 3) o "DOWN -" (fig. **3** 7, página 3).
- ✓ La pantalla indica, durante unos segundos, la temperatura de enfriado ajustada. El display parpadea algunas veces antes de volver a mostrar la temperatura actual.

## 6.7 Desconectar la nevera

- Vacíe la nevera.
- Desconecte la nevera.
- Desenchufe el cable de alimentación.

Si no va a usar la nevera durante un largo período de tiempo:

- Deje la tapa de la nevera ligeramente abierta. De esta forma, evitará la aparición de olores.

## 6.8 Descongelar la nevera

Es posible que la humedad del aire se deposite en forma de escarcha en el evaporador o en el interior de la nevera, disminuyendo de este modo la potencia frigorífica. Descongele la nevera para evitarlo.



### **¡AVISO! ¡Peligro de daños en el aparato!**

Nunca utilice herramientas duras o puntiagudas para retirar capas de hielo o soltar productos que se hayan adherido al congelarse.

Para descongelar la nevera, proceda como se indica a continuación:

- Saque los productos del interior de la nevera.
- En caso necesario, coloque los productos en otro refrigerador para mantenerlos fríos.
- Desconecte el aparato.
- Deje abierta la tapa de la nevera.
- Seque con un paño el agua descongelada.

## 6.9 Sustituir el fusible del aparato



### ¡PELIGRO! ¡Peligro de muerte por descarga eléctrica!

Desenchufe el cable de conexión antes de cambiar el fusible del aparato.

- Desenchufe el cable de alimentación.
- Saque el juego de fusibles (fig. **4** 2, página 4) con un desatornillador, por ejemplo.
- Cambie el fusible averiado por otro nuevo del mismo valor (T4AL 250V).
- Presione el juego de fusibles en la carcasa.

## 6.10 Cambiar el fusible de la clavija (12/24 V)

- Saque el casquillo de compensación (fig. **7** 4, página 5) de la clavija.
- Desatornille el tornillo (fig. **7** 5, página 5) de la parte superior de la carcasa (fig. **7** 1, página 5).
- Separe con cuidado la mitad de la carcasa superior de la inferior (fig. **7** 6, página 5).
- Extraiga la clavija de contacto (fig. **7** 3, página 5).
- Cambie el fusible averiado (fig. **7** 2, página 5) por otro nuevo del mismo valor (8 A, 32 V).
- Vuelva a montar la clavija procediendo al revés.



### NOTA – Fusible de corriente continua interno

Dentro del aparato hay un fusible de corriente continua adicional (fusible estándar de automoción, 10 A). Este fusible solo puede ser sustituido por un centro de reparación autorizado

## 6.11 Cambiar el elemento luminoso

- Presione hacia abajo el pasador (fig. **8** 2, página 5), de forma que la pieza transparente (fig. **8** 1, página 5) de la lámpara se pueda extraer hacia delante.
- Cambie el elemento luminoso.

**NOTA**

Los LEDs del elemento luminoso tienen que estar orientados hacia la pieza transparente de la lámpara.

- Vuelva a introducir la pieza transparente de la lámpara en la carcasa.

## 7 Limpieza y mantenimiento

**¡ADVERTENCIA!**

Desconecte el aparato de la red antes de proceder con la limpieza o el mantenimiento del mismo.

**¡AVISO! ¡Peligro de ocasionar daños materiales!**

- Nunca limpie la nevera bajo el chorro de agua corriente ni inmersa en agua jabonosa.
- No emplee productos de limpieza corrosivos u objetos que puedan arañar o deteriorar el aparato durante su limpieza.

- Limpie de vez en cuando el interior y el exterior de la nevera con un paño húmedo.
- Asegúrese de que las aberturas de ventilación y desaireación del aparato estén limpias de polvo para que se pueda evacuar el calor generado durante el funcionamiento y el aparato no resulte perjudicado.

## 8 Garantía legal

Rige el plazo de garantía legal. Si el producto presenta algún defecto, diríjase a la sucursal del fabricante de su país (ver direcciones en el dorso de estas instrucciones) o a su establecimiento especializado.

Para la tramitación de la reparación y de la garantía debe enviar también los siguientes documentos:

- una copia de la factura con fecha de compra,
- el motivo de la reclamación o una descripción de la avería.



## 9 Solución de averías

Avería	Causa posible	Propuesta de solución
El aparato no funciona, el LED no se ilumina.	No hay tensión en la caja de enchufe de 12/24 V (mechero) del vehículo.	En la mayoría de los vehículos debe estar conectado el interruptor de encendido para que el mechero tenga corriente.
	La caja de enchufe de tensión alterna no conduce corriente.	Inténtelo en otra caja de enchufe.
	El fusible del aparato está averiado.	Cambie el fusible del aparato, véase capítulo "Sustituir el fusible del aparato" en la página 71.
	La fuente de alimentación integrada está averiada.	Sólo un servicio de asistencia técnica autorizado puede realizar las reparaciones.
El aparato no enfría (la clavija está conectada, el LED "POWER" se ilumina).	Compresor averiado.	Sólo un servicio de asistencia técnica autorizado puede realizar las reparaciones.
El aparato no enfría (la clavija está conectada, el LED "POWER" parpadea en naranja, la pantalla está apagada).	La tensión de batería no es suficiente.	Compruebe la batería y cárguela de ser necesario.

Avería	Causa posible	Propuesta de solución
<p>En funcionamiento conectado a corriente continua:</p> <p>El encendido está conectado, pero el aparato no funciona y el LED no está iluminado.</p>	<p>La toma de corriente continua está sucia. Ello causa un contacto eléctrico defectuoso.</p>	<p>Si el enchufe de la nevera se calienta demasiado en la toma de corriente continua, limpie la caja del enchufe o conecte bien el enchufe.</p>
	<p>El fusible del enchufe de corriente se ha fundido.</p>	<p>Cambie el fusible del enchufe de corriente continua, véase capítulo "Cambiar el fusible de la clavija (12/24 V)" en la página 71.</p>
	<p>El fusible de corriente continua del aparato se ha fundido.</p>	<p>Solo un centro de reparación autorizado puede realizar la reparación.</p>
<p>Se ha fundido el fusible del vehículo.</p>		<p>Sustituya el fusible de la toma de corriente continua del vehículo. Consulte las instrucciones de uso del vehículo.</p>
<p>En la pantalla se indica un mensaje de error (por ejemplo, "Err1") y el aparato no enfría.</p>	<p>El aparato se ha apagado por un fallo interno.</p>	<p>Sólo un servicio de asistencia técnica autorizado puede realizar las reparaciones.</p>

## 10 Eliminación de desechos

- Deseche el material de embalaje en el contenedor de reciclaje correspondiente.



Quando vaya a desechar definitivamente el producto, infórmese en el centro de reciclaje más cercano o en un comercio especializado sobre las normas pertinentes de eliminación de materiales.

# 11 Datos técnicos

	<b>CF35</b>	<b>CF40</b>
Tensión de conexión:	12/24 V $\equiv$ y 100 – 240 V $\sim$	
Corriente nominal:		
– 12 V $\equiv$ :	6,0 A	6,0 A
– 24 V $\equiv$ :	3,0 A	3,0 A
– 100 – 240 V $\sim$ :	1,3 hasta 0,7 A	1,3 hasta 0,7 A
Capacidad de enfriamiento:	+10 °C hasta –18 °C (+50 °F hasta 0 °F)	
Categoría:	1	1
Clase de eficiencia energética:	A+	A+
Consumo de energía:	92 kWh/año	101 kWh/año
Capacidad útil:	31 l	37 l
Clase climática:	N, ST, T	N, ST, T
Temperatura ambiente:	+16 °C – +43 °C	+16 °C – +43 °C
Emisiones de ruido:	45 dB(A)	45 dB(A)
Cantidad de refrigerante:	38 g	41 g
Equivalente a CO <sub>2</sub> :	0,054 t	0,059 t
Índice GWP:	1430	
Medidas (l x h x a) en mm:	580 x 385 x 360	580 x 445 x 360
Peso:	15 kg	16 kg

	<b>CF50</b>
Tensión de conexión:	12/24 V $\equiv$ y 100 – 240 V $\sim$
Corriente nominal:	
– 12 V $\equiv$ :	7,0 A
– 24 V $\equiv$ :	3,0 A
– 100 – 240 V $\sim$ :	1,3 hasta 0,7 A
Capacidad de enfriamiento:	+10 °C hasta –18 °C (+50 °F hasta 0 °F)
Categoría:	1
Clase de eficiencia energética:	A+
Consumo de energía:	110 kWh/año
Capacidad útil:	47 l
Clase climática:	N, ST, T
Temperatura ambiente:	+16 °C – +43 °C
Emisiones de ruido:	45 dB(A)
Cantidad de refrigerante:	41 g
Equivalente a CO <sub>2</sub> :	0,059 t
Índice GWP:	1430
Medidas (l x h x a) en mm:	630 x 480 x 360
Peso:	18 kg



**NOTA**

En el caso de temperaturas ambiente superiores a +32 °C (+90 °F) ya no será posible alcanzar la temperatura mínima.

Inspección/Certificados:



El circuito de refrigeración contiene R134a.

Contiene gases de efecto invernadero fluorados

Aparato sellado herméticamente

**Por favor, leia atentamente este manual antes da colocação em funcionamento do aparelho e guarde-o em local seguro. Em caso de revenda do aparelho, entregue o manual ao novo comprador.**

O fabricante não se responsabiliza por danos resultantes de uma **utilização inadequada** ou de uma **operação incorrecta**.

## Índice

<b>1</b>	<b>Explicação dos símbolos</b> .....	78
<b>2</b>	<b>Indicações de segurança</b> .....	78
2.1	Segurança geral. ....	78
2.2	Segurança durante a utilização do aparelho .....	80
<b>3</b>	<b>Material fornecido</b> .....	81
<b>4</b>	<b>Utilização adequada</b> .....	81
<b>5</b>	<b>Descrição do funcionamento</b> .....	81
5.1	Âmbito de funções .....	82
5.2	Elementos de comando e de indicação. ....	82
<b>6</b>	<b>Operação</b> .....	83
6.1	Antes da primeira utilização .....	83
6.2	Dicas sobre a economia de energia .....	84
6.3	Conectar a geleira .....	84
6.4	Utilizar o monitorizador da bateria .....	85
6.5	Utilizar a geleira .....	86
6.6	Regular a temperatura .....	88
6.7	Desligar a geleira .....	88
6.8	Descongelar a geleira .....	88
6.9	Substituir o fusível do aparelho .....	89
6.10	Substituir o fusível da ficha (12/24 V) .....	89
6.11	Substituir o corpo luminoso .....	90
<b>7</b>	<b>Limpeza e manutenção</b> .....	90
<b>8</b>	<b>Garantia</b> .....	90
<b>9</b>	<b>Resolução de falhas</b> .....	91
<b>10</b>	<b>Eliminação</b> .....	92
<b>11</b>	<b>Dados técnicos</b> .....	93

# 1 Explicação dos símbolos

**PERIGO!**

**Indicação de segurança:** o incumprimento causa a morte ou ferimentos graves.

**AVISO!**

**Indicação de segurança:** o incumprimento pode provocar a morte ou ferimentos graves.

**PRECAUÇÃO!**

**Indicação de segurança:** o incumprimento pode provocar ferimentos.

**NOTA!**

O incumprimento pode causar danos materiais e pode prejudicar o funcionamento do produto.

**OBSERVAÇÃO**

Informações suplementares sobre a operação do produto.

## 2 Indicações de segurança

### 2.1 Segurança geral

**AVISO!**

- Quando o aparelho apresentar danos visíveis, ele não deve ser colocado em funcionamento.
- Quando o cabo de conexão for danificado, o mesmo tem de ser substituído pelo fabricante, pela sua assistência técnica ou por uma pessoa com qualificações equivalentes para evitar perigos.
- As reparações neste aparelho apenas devem ser realizadas por técnicos especializados. As reparações inadequadas podem provocar perigos substanciais.

- Este aparelho pode ser utilizado por crianças a partir dos 8 anos, assim como por pessoas com capacidades físicas, sensoriais ou mentais reduzidas e/ou com insuficiente experiência e conhecimento, quando supervisionadas ou quando tenham recebido informação acerca da utilização segura do aparelho e tenham compreendido os perigos dele resultantes.
- A limpeza e a manutenção por parte do utilizador não podem ser efetuadas por crianças sem supervisão.
- As crianças não podem brincar com o aparelho.
- As crianças devem ser supervisionadas para garantir que não brincam com o aparelho.
- Guarde e utilize o aparelho fora do alcance de crianças com idade inferior a 8 anos.
- Não guarde as substâncias com risco de explosão, como p.ex. latas de spray com gás carburante inflamável, no aparelho.



### **PRECAUÇÃO!**

- Separe o aparelho da rede
  - antes de cada limpeza e conservação
  - após cada utilização
- Os géneros alimentícios apenas podem ser armazenados nas embalagens originais ou recipientes adequados.



### **NOTA!**

- Compare a indicação da tensão na placa de características com a alimentação de energia existente.
- Conecte o aparelho apenas do seguinte modo:
  - com o cabo de ligação DC à tomada de bordo DC no veículo.
  - ou com o cabo de ligação de AC à rede de corrente alternada
- Nunca retire a ficha da tomada eléctrica puxando pelo cabo de conexão.
- Se a geleira estiver ligada à tomada DC: Desconecte a sua geleira e outros consumidores da bateria antes de conectar um carregador rápido.
- Se a geleira estiver ligada à tomada DC: Separe a ligação ou desligue a geleira se desligar o motor. Caso contrário, a bateria pode ficar descarregada.
- A geleira não é adequada para o transporte de substâncias corrosivas ou substâncias com solventes.

- Este aparelho contém ciclopentano inflamável no isolamento. Os gases no material de isolamento requerem um processo de eliminação especial. No final da sua vida útil, entregue o aparelho num ponto de eliminação apropriado.

## 2.2 Segurança durante a utilização do aparelho



### PRECAUÇÃO!

- Antes da colocação em funcionamento, tenha atenção para que o cabo de conexão e a ficha estejam secos.



### NOTA!

- Não utilize aparelhos eléctricos dentro da geleira, excepto se estes aparelhos tiverem sido recomendados pelo fabricante.
- Não coloque o aparelho na proximidade de chamas abertas ou outras fontes de calor (aquecimento, radiação solar intensa, fogões a gás, etc.).
- **Perigo de sobreaquecimento!**  
Tenha sempre atenção para que o calor gerado durante o funcionamento possa ser dissipado adequadamente. Certifique-se de que o aparelho está posicionado com uma distância suficiente em relação a paredes ou objectos de modo a que o ar possa circular livremente.
- Tenha atenção para que as aberturas de ventilação não sejam cobertas.
- Não verta líquidos ou gelo para dentro do recipiente interior.
- Nunca mergulhe o aparelho em água.
- Proteja o aparelho e os cabos do calor e da humidade.



### 3 Material fornecido

N.º na fig. 1, página 3	Quant.	Designação
1	1	Geleira
2	1	Cabo de conexão para 12/24 V $\equiv$
3	1	Cabo de conexão para 100 – 240 V $\sim$ - conexão
4	2	Pega constituída por: – 2 suportes – 1 punho – 4 parafusos de fixação
–	1	Manual de instruções

### 4 Utilização adequada

A geleira é adequada para refrigerar e congelar géneros alimentícios. O aparelho também é adequado para a utilização em barcos.

O aparelho foi concebido para funcionar com 12 V $\equiv$  ou 24 V $\equiv$  numa tomada da rede de bordo de um veículo, (p.ex. o isqueiro), de um barco ou de uma caravana, e igualmente com uma rede de corrente alternada de 100 – 240 V $\sim$  .



#### **PRECAUÇÃO! Risco para a saúde!**

Por favor, verifique se a capacidade de refrigeração do aparelho cumpre os requisitos dos géneros alimentares ou dos medicamentos que pretende refrigerar.

### 5 Descrição do funcionamento

A geleira pode refrigerar géneros e mantê-los no frio assim como congelá-los. O arrefecimento é feito por um circuito de refrigeração isento de manutenção, com compressor. O isolamento extra-resistente e o eficiente compressor garantem um arrefecimento especialmente rápido.

A geleira é adequada para a utilização móvel.

Na utilização em barcos, a geleira pode ser instalada com uma inclinação de 30°.

## 5.1 Âmbito de funções

- Fonte de alimentação com ligação prioritária à corrente alternada.
- Monitorizador da bateria com três níveis para proteção da bateria do veículo
- Modo Turbo para arrefecimento mais rápido.
- O monitor com indicação da temperatura é desligado automaticamente quando a tensão da bateria está muito baixa
- Regulação da temperatura: Com dois botões em passos de 1 °C (2 °F)
- Pegas desmontáveis

## 5.2 Elementos de comando e de indicação

### CF35, CF40

Bloqueio da tampa: fig. **2** 1, página 3

### CF35, CF40, CF50

Painel de comando (fig. **3**, página 3)

Pos.	Designação	Explicação
1	ON OFF	Liga ou desliga a geleira quando o botão é pressionado durante um a dois segundos
2	POWER	Indicação de funcionamento
		LED acende a verde: compressor ligado
		LED acende a laranja: compressor desligado
		LED pisca a laranja: O mostrador foi desligado automaticamente porque a tensão da bateria está baixa
3	ERROR	LED pisca a vermelho: o aparelho está ligado mas não está em condições de funcionamento
4	SET	Seleciona o modo de introdução – Regulação da temperatura – Indicação em °Centígrados ou °Fahrenheit – Regular o monitorizador da bateria
5	–	O mostrador indica os valores

Pos.	Designação	Explicação
6	UP +	Ao tocar uma vez, aumenta o valor introduzido selecionado
7	DOWN –	Ao tocar uma vez, diminui o valor introduzido selecionado

Tomadas de ligação (fig. **4**, página 4):

Pos.	Designação
1	Tomada de ligação da alimentação de tensão alternada
2	Porta-fusíveis
3	Tomada de ligação da alimentação de tensão contínua

## 6 Operação

### 6.1 Antes da primeira utilização



#### OBSERVAÇÃO

Antes de colocar a nova geleira em funcionamento deverá limpar o interior e o exterior com um pano húmido por razões de higiene (ver também capítulo “Limpeza e manutenção” na página 90).

#### Montar as pegas

As pegas são fornecidas de modo solto. Se pretender montar as pegas, proceda do seguinte modo:

- Encaixe juntamente dois suportes (fig. **5** 1, página 4) e um punho (fig. **5** 2, página 4) para cada pega.
- Fixe a pega, com os parafusos que fazem parte do material fornecido, nas perfurações previstas para o efeito.

#### Inverter o encosto da tampa (CF50)

É possível inverter o encosto da tampa se pretender abrir a tampa para o outro lado. Para esse efeito, proceda do seguinte modo:

- Abra a tampa e puxe-o para fora (fig. **6** A, página 5).
- Vire a tampa.

- ▶ Encaixe a tampa nos seus apoios localizados no lado oposto da geleira (fig. **6** B, página 5).

### Selecionar a unidade de temperatura

Poderá selecionar a indicação de temperatura entre os valores para °Centígrados e °Fahrenheit. Para esse efeito, proceda do seguinte modo:

- ▶ Ligue a geleira.
- ▶ Prima duas vezes o botão "SET" (fig. **3** 4, página 3).
- ▶ Regule a unidade de temperatura para °Centígrados ou °Fahrenheit com os botões "UP +" (fig. **3** 6, página 3) ou "DOWN –" (fig. **3** 7, página 3).
- ✓ O mostrador indica, durante alguns segundos, a unidade de temperatura que foi regulada. O mostrador pisca algumas vezes antes de voltar a apresentar a temperatura atual.

## 6.2 Dicas sobre a economia de energia

- Escolha um local de utilização bem arejado e protegido de raios solares.
- Primeiro, deixe as refeições quentes arrefecer antes de as manter frescas.
- Não abra a geleira mais do que as vezes necessárias.
- Não deixe a geleira aberta mais tempo do que o necessário.
- Descongele a geleira logo que se formar uma camada de gelo.
- Evite uma temperatura interna desnecessariamente baixa.

## 6.3 Conectar a geleira

### Conectar a uma bateria (carro ou barco)

A geleira pode funcionar com corrente contínua de 12 V ou de 24 V.



#### **NOTA! Perigo de danos!**

Desconecte a geleira e outros consumidores da bateria antes de carregar a mesma com um carregador rápido.

As sobretensões podem danificar o sistema eletrónico dos aparelhos.

Para efeitos de segurança, a geleira está equipada com uma proteção eletrónica contra a inversão da polaridade quando é conectada à bateria e que também protege a geleira contra curto-circuitos.

- Encaixe o cabo de conexão de 12/24 V (fig. **1** 2, página 3) na tomada de tensão contínua e ligue o cabo ao isqueiro ou a uma tomada de 12 V ou 24 V.

### **Conectar a uma rede de corrente alternada de 100 – 240 V (p.ex.em casa ou no escritório)**



#### **PERIGO! Perigo de morte por choque elétrico!**

- Nunca manipule as fichas e os interruptores quando tiver as mãos molhadas ou quando tiver os pés em pavimento molhado.
- Se utilizar a sua geleira a bordo de um barco com ligação a uma rede de corrente alternada de 100 – 240 V em terra firme, deverá sempre instalar um interruptor de segurança entre a rede de corrente alternada de 100 – 240 V e a geleira.  
Solicite o parecer de um técnico.

As geleiras têm uma fonte de alimentação integrada para múltiplas tensões com ligação prioritária a uma tensão alternada de 100 – 240 V. O funcionamento com alimentação pela rede é ligado automaticamente pela ligação prioritária quando o aparelho estiver ligado a uma rede de corrente alternada de 100 – 240 V, mesmo que ainda esteja conectado o cabo para a ligação de 12/24 V.

Ao comutar entre a alimentação da rede de corrente alternada e a alimentação por bateria, o LED vermelho pode ficar aceso por alguns minutos.

- Encaixe o cabo de conexão de 100 – 240 V (fig. **1** 3, página 3) na tomada de tensão alternada e ligue-o à rede de corrente alternada de 100 – 240 V.

## **6.4 Utilizar o monitorizador da bateria**

O aparelho está equipado com um monitorizador da bateria que protege a bateria do carro contra uma descarga profunda ao estar ligada à rede de bordo de 12/24 V.

Se a geleira for operada com a ignição do veículo desligada, ela desliga-se automaticamente logo que a tensão de alimentação descer abaixo de um valor regulado. A geleira liga-se novamente assim que a tensão de ativação for alcançada graças ao carregamento da bateria.



#### **NOTA! Perigo de danos!**

Quando a bateria é desligada pelo interruptor auxiliar, ela já não tem a capacidade de carga completa, evite arranques repetidos e a utilização de consumidores de corrente que não tenham fases de carregamento prolongadas. Tenha atenção para que a bateria seja recarregada.

No modo "HIGH", o monitorizador da bateria é mais rapidamente ativado do que nos níveis "LOW" e "MED" (ver tabela abaixo).

Modo do monitorizador da bateria	LOW	MED	HIGH
Tensão de desconexão em 12V	10,1V	11,4V	11,8V
Tensão de reativação em 12V	11,1V	12,2V	12,6V
Tensão de desconexão em 24V	21,5V	24,1V	24,6V
Tensão de reativação em 24V	23,0V	25,3V	26,2V

Para alterar o modo do monitorizador da bateria, proceda do seguinte modo:

- ▶ Ligue a geleira.
- ▶ Prima três vezes o botão "SET" (fig. **3** 4, página 3).
- ▶ Regule com os botões "UP +" (fig. **3** 6, página 3) ou "DOWN -" (fig. **3** 7, página 3) o modo do monitorizador da bateria.
- ✓ O mostrador indica, durante alguns segundos, o modo regulado. O mostrador pisca algumas vezes antes de voltar a apresentar a temperatura atual.



#### OBSERVAÇÃO

Quando a geleira é alimentada pela bateria de arranque, selecione o modo do monitorizador da bateria "HIGH". Quando a geleira está conectada a uma bateria de alimentação, é suficiente o modo do monitorizador da bateria "LOW".

Quando pretender operar a geleira na rede de corrente alternada, regule o monitorizador da bateria para "LOW".

## 6.5 Utilizar a geleira



#### NOTA! Perigo de sobreaquecimento!

Tenha sempre atenção para que o calor gerado durante o funcionamento seja dissipado adequadamente. Tenha atenção para que as aberturas de ventilação não sejam cobertas. Certifique-se de que o aparelho está posicionado com uma distância suficiente em relação a paredes ou objetos de modo a que o ar possa circular livremente.

- ▶ Pouse a geleira sobre uma superfície estável.  
Tenha atenção para que as aberturas de ventilação não sejam cobertas e o ar aquecido possa sair adequadamente.

**OBSERVAÇÃO**

Coloque a geleira como ilustrado na (fig. **1**, página 3). Se a geleira for operada noutra posição, ela pode ficar danificada.

- Conecte a geleira, ver capítulo “Conectar a geleira” na página 84.

**OBSERVAÇÃO**

Quando pretender operar a geleira na rede de corrente alternada, regule o monitorizador da bateria para “LOW”.

**NOTA! Perigo devido a temperatura demasiado baixa!**

Tenha atenção para que na geleira apenas se encontrem objetos ou produtos que possam ser refrigerados para a temperatura selecionada.

- Prima o botão “ON/OFF” (fig. **3** 1, página 3) durante um a dois segundos.
- ✓ O LED “POWER” acende.
- ✓ O mostrador (fig. **3** 5, página 3) liga-se e indica a temperatura de refrigeração atual.

**OBSERVAÇÃO**

A temperatura indicada refere-se ao centro do interior. A temperatura pode apresentar desvios em outros locais.

- ✓ A geleira inicia a refrigeração do interior.

**OBSERVAÇÃO**

No funcionamento com uma bateria, o mostrador desliga automaticamente quando a tensão da bateria é demasiado baixa. O LED “POWER” pisca a laranja.

**Bloquear a geleira (CF35, CF40)**

- Feche a tampa.
- Pressione o bloqueio (fig. **2** 1, página 3) para baixo até ele engrenar de forma audível.

## 6.6 Regular a temperatura

- Prima uma vez o botão “SET” (fig. **3** 4, página 3).
- Regule a temperatura de refrigeração com os botões “UP +” (fig. **3** 6, página 3) ou “DOWN –” (fig. **3** 7, página 3).
- ✓ O monitor indica, durante alguns segundos, a temperatura de refrigeração pretendida que foi regulada. O mostrador pisca algumas vezes antes de voltar a apresentar a temperatura atual.

## 6.7 Desligar a geleira

- Esvazie a geleira.
- Desligue a geleira.
- Retire o cabo de conexão da tomada.

Se não pretender utilizar a geleira durante um período de tempo mais prolongado:

- Deixe a tampa ligeiramente aberta. Deste modo, evita a formação de odores.

## 6.8 Descongelar a geleira

A humidade do ar pode formar gelo no vaporizador ou no interior da geleira, o qual reduz a potência de arrefecimento. Descongele o aparelho atempadamente.



### **NOTA! Perigo de danos!**

Nunca utilize ferramentas duras ou pontiagudas para retirar as camadas de gelo ou para libertar objetos congelados.

Proceda do seguinte modo para descongelar a geleira:

- Retire os produtos congelados.
- Eventualmente, guarde os mesmos numa outra geleira para que eles permaneçam no frio.
- Desligue o aparelho.
- Deixe a tampa aberta.
- Limpe a água de degelo.



## 6.9 Substituir o fusível do aparelho



### **PERIGO! Perigo de morte por choque elétrico!**

Antes da substituição do fusível do aparelho, retire o cabo de conexão.

- Retire os cabos de conexão das tomadas.
- Retire o encaixe do fusível (fig. **4** 2, página 4) p.ex. com uma chave de fendas.
- Substitua o fusível queimado por um fusível novo com as mesmas características (T4AL 250V).
- Volte a pressionar o encaixe do fusível para dentro da caixa.

## 6.10 Substituir o fusível da ficha (12/24 V)

- Retire a bucha compensadora (fig. **7** 4, página 5) da ficha.
- Desaperte o parafuso (fig. **7** 5, página 5) da metade superior da caixa (fig. **7** 1, página 5).
- Afaste cuidadosamente a metade superior da caixa da metade inferior (fig. **7** 6, página 5).
- Retire o pino de contacto (fig. **7** 3, página 5).
- Substitua o fusível queimado (fig. **7** 2, página 5) por um fusível novo com as mesmas características (8 A, 32 V).
- Volte a montar a ficha na sequência inversa.



### **NOTA – Fusível CC interno**

Existe um fusível CC adicional dentro do aparelho (fusível de encaixe plano padrão para automóveis, 10 A). Este fusível só pode ser substituído por um centro de reparação autorizado.

## 6.11 Substituir o corpo luminoso

- ▶ Pressione o pino de ligação (fig. **8** 2, página 5) para baixo de modo a que a parte transparente fig. **8** 1, página 5) da lâmpada possa ser retirada pela parte da frente.
- ▶ Substitua o corpo luminoso.



### OBSERVAÇÃO

Os LEDs no corpo luminoso têm de estar alinhados para a parte transparente da lâmpada.

- ▶ Volte a colocar a parte transparente da lâmpada no corpo.

## 7 Limpeza e manutenção



### AVISO!

Antes de cada limpeza e conservação, separe o aparelho da rede.



### NOTA! Perigo de danos!

- Nunca limpe a geleira debaixo de água corrente nem dentro de água de lavar a loiça.
- Não utilize produtos de limpeza abrasivos ou objectos duros para a limpeza, uma vez que podem danificar a geleira.

- ▶ De vez em quando, limpe o interior e o exterior do aparelho com um pano húmido.
- ▶ Certifique-se que as aberturas de ventilação e extracção de ar do aparelho estão livres de pó e sujidade para que, durante o funcionamento, o ar quente possa ser extraído e o aparelho não seja danificado.

## 8 Garantia

É válido o prazo de garantia legal. Se o produto estiver com defeito, por favor, dirija-se à representação do fabricante no seu país (endereços, ver verso do manual) ou ao seu revendedor.

Para fins de reparação ou de garantia, terá de enviar os seguintes documentos em conjunto:

- uma cópia da factura com a data de aquisição,

- um motivo de reclamação ou uma descrição da falha.

## 9 Resolução de falhas

Falha	Possível causa	Sugestão de solução
O aparelho não funciona, o LED não acende.	A tomada de 12/24 V (isqueiro) do veículo não tem corrente.	Na maioria dos veículos, a ignição tem de estar ligada para que o isqueiro do veículo tenha corrente elétrica.
	Tomada da tensão alternada sem tensão.	Tente novamente noutra tomada.
	O fusível do aparelho está queimado.	Substitua o fusível do aparelho, ver capítulo "Substituir o fusível do aparelho" na página 89.
	A fonte de alimentação integrada está avariada.	A reparação apenas pode ser realizada por uma assistência técnica autorizada.
O aparelho não refrigera (ficha inserida na tomada, LED "POWER" acende).	Compressor avariado.	A reparação apenas pode ser realizada por uma assistência técnica autorizada.
O aparelho não refrigera (ficha inserida na tomada, LED "POWER" pisca a laranja, mostrador desligado).	Tensão da bateria insuficiente.	Verifique a bateria e, se necessário, carregue-a.

Falha	Possível causa	Sugestão de solução
Durante o funcionamento na tomada de corrente contínua: a ignição está ligada, o aparelho não funciona e o LED não acende.	A tomada de corrente contínua está suja. Isto resulta num mau contacto elétrico.	Se a ficha da geleira ficar muito quente na tomada de corrente contínua, é necessário limpar a tomada de corrente contínua ou a ficha não foi montada corretamente.
	O fusível da ficha de corrente contínua está queimado.	Substitua o fusível da ficha de corrente contínua, ver capítulo “Substituir o fusível da ficha (12/24 V)” na página 89.
	O fusível CC dentro do aparelho está queimado.	Esta reparação só pode ser realizada por um centro de reparação autorizado.
	O fusível do veículo está queimado.	Substitua o fusível da tomada de corrente contínua do veículo. Consulte o manual de instruções do seu veículo.
O mostrador indica uma mensagem de erro (p.ex. “Err1”) e o aparelho não refrigera.	Uma falha de funcionamento interna desligou o aparelho.	A reparação apenas pode ser realizada por uma assistência técnica autorizada.

## 10 Eliminação

- ▶ Sempre que possível, coloque o material de embalagem no respectivo contentor de reciclagem.



Para colocar o aparelho definitivamente fora de funcionamento, por favor, informe-se junto do centro de reciclagem mais próximo ou revendedor sobre as disposições de eliminação aplicáveis.

# 11 Dados técnicos

	<b>CF35</b>	<b>CF40</b>
Tensão de conexão:	12/24 V $\equiv$ e 100 – 240 V $\sim$	
Corrente nominal:		
– 12V $\equiv$ :	6,0 A	6,0 A
– 24 V $\equiv$ :	3,0 A	3,0 A
– 100 – 240V $\sim$ :	1,3 a 0,7 A	1,3 a 0,7 A
Potência de refrigeração:	+10 °C até –18 °C (+50 °F até 0 °F)	
Categoria:	1	1
Classe de eficiência energética:	A+	A+
Consumo de energia:	92 kWh/ano	101 kWh/ano
Volume útil:	31 l	37 l
Classe climática:	N, ST, T	N, ST, T
Temperatura ambiente:	+16 °C – +43 °C	+16 °C – +43 °C
Emissões acústicas:	45 dB(A)	45 dB(A)
Quantidade do agente de refrigeração:	38 g	41 g
Equivalente a CO <sub>2</sub> :	0,054 t	0,059 t
Potencial de aquecimento global (GWP):	1430	
Dimensões (LxAxP) em mm:	580 x 385 x 360	580 x 445 x 360
Peso:	15 kg	16 kg

	<b>CF50</b>
Tensão de conexão:	12/24 V $\equiv$ e 100 – 240 V $\sim$
Corrente nominal:	
– 12V $\equiv$ :	7,0 A
– 24 V $\equiv$ :	3,0 A
– 100 – 240V $\sim$ :	1,3 a 0,7 A
Potência de refrigeração:	+10 °C até –18 °C (+50 °F até 0 °F)
Categoria:	1
Classe de eficiência energética:	A+
Consumo de energia:	110 kWh/ano
Volume útil:	47 l
Classe climática:	N, ST, T
Temperatura ambiente:	+16 °C – +43 °C
Emissões acústicas:	45 dB(A)
Quantidade do agente de refrigeração:	41 g
Equivalente a CO <sub>2</sub> :	0,059 t
Potencial de aquecimento global (GWP):	1430
Dimensões (LxAxP) em mm:	630 x 480 x 360
Peso:	18 kg

**OBSERVAÇÃO**

A partir de temperaturas ambiente acima de +32 °C (+90 °F), a temperatura mínima já não pode ser alcançada.

Verificação/Certificados:



O circuito de refrigeração contém R134a.

Contém gases fluorados com efeito de estufa

Equipamento hermeticamente fechado

**Prima della messa in funzione leggere accuratamente questo manuale di istruzioni, conservarlo e, nel caso in cui il frigorifero portatile venga consegnato a un altro utente, consegnare anche le relative istruzioni.**

Il produttore declina ogni responsabilità per danni risultanti da un **uso non conforme alla destinazione** o **da un impiego scorretto**.

## Indice

<b>1</b>	<b>Spiegazione dei simboli</b> .....	96
<b>2</b>	<b>Indicazioni di sicurezza</b> .....	96
2.1	Sicurezza generale .....	96
2.2	Sicurezza durante il funzionamento dell'apparecchio .....	98
<b>3</b>	<b>Dotazione</b> .....	98
<b>4</b>	<b>Uso conforme alla destinazione</b> .....	99
<b>5</b>	<b>Descrizione del funzionamento</b> .....	99
5.1	Funzioni .....	99
5.2	Elementi di comando e indicazione .....	100
<b>6</b>	<b>Impiego</b> .....	101
6.1	Prima della messa in funzione iniziale .....	101
6.2	Suggerimenti per risparmiare energia .....	102
6.3	Come collegare il frigorifero .....	102
6.4	Utilizzo del dispositivo di controllo della batteria .....	103
6.5	Come usare il frigorifero .....	105
6.6	Regolazione della temperatura .....	106
6.7	Come spegnere il frigorifero .....	106
6.8	Sbrinamento del frigorifero portatile .....	106
6.9	Come sostituire il fusibile dell'apparecchio .....	107
6.10	Sostituzione del fusibile della spina (12/24 V) .....	107
6.11	Sostituire il corpo luminoso .....	108
<b>7</b>	<b>Pulizia e cura</b> .....	108
<b>8</b>	<b>Garanzia</b> .....	109
<b>9</b>	<b>Eliminazione dei disturbi</b> .....	109
<b>10</b>	<b>Smaltimento</b> .....	110
<b>11</b>	<b>Specifiche tecniche</b> .....	111

# 1 Spiegazione dei simboli

**PERICOLO!**

**Avviso di sicurezza:** la mancata osservanza di questo avviso comporta ferite gravi anche mortali.

**AVVERTENZA!**

Avviso di sicurezza: la mancata osservanza di questo avviso può causare ferite gravi anche mortali.

**ATTENZIONE!**

**Avviso di sicurezza:** la mancata osservanza di questo avviso può essere causa di lesioni.

**AVVISO!**

La mancata osservanza di questa nota può causare danni materiali e compromettere il funzionamento del prodotto.

**NOTA**

Informazioni integranti relative all'impiego del prodotto.

## 2 Indicazioni di sicurezza

### 2.1 Sicurezza generale

**AVVERTENZA!**

- Se l'apparecchio presenta danni visibili, non metterlo in funzione.
- Se il cavo di allacciamento di questo apparecchio viene danneggiato, esso deve essere sostituito dal produttore, da parte del suo servizio clienti, oppure da una persona sufficientemente qualificata, al fine di evitare pericoli.
- Questo apparecchio deve essere riparato solo da personale specializzato. Le riparazioni effettuate in modo scorretto potrebbero causare rischi enormi.



- Il presente apparecchio può essere usato da bambini a partire dagli 8 anni e da utenti con ridotte capacità fisiche, sensoriali o mentali o inesperti e/o con conoscenze insufficienti, se non sono lasciati soli o se sono stati istruiti sull'utilizzo sicuro dell'apparecchio e hanno compreso i pericoli che possono insorgere.
- La pulizia e la manutenzione da parte dell'utente non possono essere compiute da bambini lasciati soli.
- I bambini non possono giocare con l'apparecchio.
- Sorvegliare i bambini per evitare che giochino con l'apparecchio.
- Conservare e utilizzare l'apparecchio lontano dalla portata dei bambini al di sotto degli 8 anni.
- Nell'apparecchio non conservare sostanze esplosive come ad es. bombolette spray con gas propellente infiammabile.

**ATTENZIONE!**

- Staccare l'apparecchio dalla rete
  - prima di effettuare la pulizia e la cura
  - dopo ogni utilizzo
- I prodotti alimentari possono essere conservati solo nelle confezioni originali o in contenitori adeguati.

**AVVISO!**

- Confrontare i dati della tensione riportati sulla targhetta con quelli delle prese e degli attacchi disponibili.
- Collegare l'apparecchio solo nel modo seguente:
  - con il cavo di allacciamento CC alla spina CC del veicolo
  - oppure con il cavo di allacciamento da CA alla rete di alimentazione in corrente alternata
- Non estrarre mai la spina dalla presa tirando il cavo di allacciamento.
- Quando il frigorifero è collegato ad un presa CC: Staccare il frigorifero e le altre utenze dalla batteria prima di collegare il caricabatterie rapido.
- Quando il frigorifero è collegato ad un presa CC: Interrompere il collegamento o spegnere il frigorifero se il motore viene spento. Altrimenti la batteria si può scaricare.
- Il frigorifero non è adatto per il trasporto di sostanze corrosive o solventi.

- Questo frigorifero contiene nell'isolamento ciclopentano infiammabile. I gas contenuti nel materiale di isolamento richiedono un processo di smaltimento particolare. Al termine della sua vita utile, smaltire l'apparecchio in modo conforme.

## 2.2 Sicurezza durante il funzionamento dell'apparecchio



### ATTENZIONE!

- Prima della messa in funzione assicurarsi che la linea di alimentazione e la spina siano asciutte.



### AVVISO!

- Non utilizzare apparecchi elettrici all'interno del frigorifero ad eccezione di quelli consigliati dallo stesso produttore.
- Non collocare l'apparecchio nelle vicinanze di fiamme libere o altre fonti di calore (riscaldamento, intensa esposizione ai raggi solari, forni a gas ecc.).
- **Pericolo di surriscaldamento!**  
Assicurarsi che il calore generato durante il funzionamento sfiati sufficientemente. Assicurarsi che la distanza fra l'apparecchio e le pareti o altri oggetti sia tale che l'aria possa circolare liberamente.
- Fare attenzione che le feritoie di aerazione non vengano coperte.
- Non versare nessun tipo di liquido o ghiaccio nel contenitore interno.
- Non immergere mai l'apparecchio in acqua.
- Proteggere l'apparecchio e i cavi dal caldo e dall'umidità.

## 3 Dotazione

N. in fig. <b>1</b> , pagina 3	Quantità	Denominazione
1	1	frigorifero portatile
2	1	cavo di allacciamento per collegamento da 12/24 V==
3	1	cavo di allacciamento per collegamento da 100 – 240 V~

N. in fig. 1, pagina 3	Quantità	Denominazione
4	2	maniglia, costituita da: – 2 supporti – 1 impugnatura – 4 viti di fissaggio
–	1	istruzioni per l'uso

## 4 Uso conforme alla destinazione

Il frigorifero è adatto per raffreddare e surgelare gli alimenti. L'apparecchio è anche adatto per il funzionamento su imbarcazioni.

L'apparecchio è stato ideato per il funzionamento con una presa di rete di bordo da 12 V $\overline{=}$  oppure da 24 V $\overline{=}$  di un veicolo (ad es. l'accendisigari), di una barca o di un camper oppure con una rete di alimentazione in corrente alternata da 100 – 240 V $\sim$ .



### **ATTENZIONE! Pericolo per la salute!**

Controllare che la capacità di raffreddamento dell'apparecchio sia conforme ai requisiti degli alimenti o medicinali che si desidera raffreddare.

## 5 Descrizione del funzionamento

Il frigorifero portatile può raffreddare, mantenere freddi i prodotti e surgelarli. Il raffreddamento avviene mediante un circuito di raffreddamento che non richiede manutenzione e con compressore. L'isolamento, particolarmente spesso, e il potente compressore garantiscono un raffreddamento estremamente veloce.

L'apparecchio è adatto per essere utilizzato anche come frigorifero portatile.

Nel caso di impiego su imbarcazioni il frigorifero può essere sottoposto ad uno sbandamento continuo di 30°.

### 5.1 Funzioni

- Alimentatore con circuito prioritario per il collegamento alla tensione alternata
- Dispositivo di controllo automatico della batteria a tre livelli per la protezione della batteria del veicolo
- Modalità Turbo per il raffreddamento rapido

- Il display con indicazione della temperatura viene spento automaticamente in caso di bassa tensione della batteria
- Regolazione della temperatura: con due tasti in passi da 1 °C (2 °F)
- Possibilità di montaggio maniglie

## 5.2 Elementi di comando e indicazione

### CF35, CF40

Fermo del coperchio: fig. **2** 1, pagina 3

### CF35, CF40, CF50

Campo di controllo (fig. **3**, pagina 3)

Pos.	Denominazione	Spiegazione
1	ON OFF	Accende o spegne il frigorifero se si tiene premuto il tasto da uno a due secondi
2	POWER	Spia di funzionamento
		Il LED verde è acceso: il compressore è acceso
		il LED arancio è acceso: il compressore è spento
		Il LED lampeggia con luce arancia: il display si è spento automaticamente perché la tensione della batteria è bassa
3	ERROR	Il LED rosso lampeggia: l'apparecchio è acceso ma non è pronto per il funzionamento
4	SET	Seleziona la modalità di immissione – impostazione della temperatura – valori in gradi Celsius oppure Fahrenheit – impostazione dispositivo di controllo automatico della batteria
5	–	Display, indica i valori
6	UP +	Premuto una volta aumenta il valore impostato selezionato
7	DOWN –	Premuto una volta diminuisce il valore impostato selezionato

Prese di collegamento (fig. **4**, pagina 4):

Pos.	Denominazione
1	Presa di collegamento per l'alimentazione di tensione alternata
2	Portafusibile
3	Presa di collegamento per l'alimentazione di tensione continua

## 6 Impiego

### 6.1 Prima della messa in funzione iniziale



#### NOTA

Per motivi igienici, prima della messa in funzione iniziale del frigorifero, pulirne l'interno e l'esterno con un panno umido (vedi anche capitolo "Pulizia e cura" a pagina 108).

#### Montaggio dei manici

Le maniglie fornite in dotazione non sono assemblate. Per montare le maniglie, procedere come segue:

- Assemblare i due supporti (fig. **5** 1, pagina 4) e l'impugnatura (fig. **5** 2, pagina 4) in modo tale da formare una maniglia.
- Fissare la maniglia con le viti in dotazione nei fori predisposti per tale scopo.

#### Spostamento del lato apertura coperchio (CF50)

Nel caso in cui si desideri aprire il coperchio dall'altro lato è possibile spostare il lato apertura coperchio. A questo scopo procedere come segue.

- Aprire il coperchio ed estrarlo (fig. **6** A, pagina 5).
- Ruotare il coperchio.
- Inserire il coperchio nelle sedi del coperchio sul lato opposto del frigorifero (fig. **6** B, pagina 5).

#### Selezione dell'unità di temperatura

L'indicazione di temperatura può essere selezionata in gradi Celsius e Fahrenheit. A questo scopo procedere come segue:

- Accendere il frigorifero.

- Premere due volte il tasto "SET" (fig. **3** 4, pagina 3).
- Impostare con i tasti "UP +" (fig. **3** 6, pagina 3) oppure "DOWN -" (fig. **3** 7, pagina 3), l'unità di temperatura Celsius oppure Fahrenheit.
- ✓ Il display visualizza per alcuni secondi l'unità di temperatura impostata. Il display lampeggia alcune volte prima di tornare alla rappresentazione della temperatura attuale.

## 6.2 Suggerimenti per risparmiare energia

- Scegliere un luogo di impiego ben aerato e riparato dai raggi solari.
- Prima di immagazzinare cibi caldi nell'apparecchio, lasciarli prima raffreddare.
- Non aprire il frigorifero più spesso del necessario.
- Non lasciare il frigorifero aperto più del necessario.
- Sbrinare il frigorifero portatile appena si è formato uno strato di ghiaccio.
- Evitare un abbassamento eccessivo della temperatura interna se non necessario.

## 6.3 Come collegare il frigorifero

### Allacciamento ad una batteria (Veicolo o imbarcazione)

Il frigorifero portatile può essere allacciato ad una tensione continua compresa tra 12 V e 24 V.



#### **AVVISO! Pericolo di danni!**

Staccare il frigorifero portatile e altre utenze dalla batteria prima di caricare la batteria con un caricabatterie rapido.

Le sovratensioni possono danneggiare il sistema elettronico degli apparecchi.

Per motivi di sicurezza, il frigorifero portatile è dotato di una protezione elettronica contro l'inversione di polarità che lo protegge contro l'inversione di polarità durante il collegamento della batteria e un eventuale cortocircuito.

- Inserire il cavo di allacciamento da 12/24 V (fig. **1** 2, pagina 3) nella presa con tensione continua e collegarlo all'accendisigari o ad una presa da 12 V o 24 V.

## Allacciamento ad una rete di alimentazione in corrente alternata da 100 – 240 V (ad es a casa o in ufficio)



### **PERICOLO! Pericolo di morte a causa di scossa elettrica!**

- Non usare spine e interruttori se avete mani o piedi bagnati.
- Se il frigorifero si trova a bordo di un'imbarcazione ed è azionato mediante un collegamento a terra con una rete di alimentazione in corrente alternata da 100 – 240 V, è necessario in ogni caso inserire un interruttore differenziale di protezione fra la rete di alimentazione in corrente alternata da 100 – 240 V e il frigorifero. Fatevi consigliare da un esperto.

I frigoriferi dispongono di un alimentatore multitemperatura integrato con circuito prioritario per il collegamento alla tensione alternata da 100 – 240 V. Tramite il circuito prioritario l'apparecchio viene commutato automaticamente sul funzionamento di rete quando l'apparecchio viene allacciato ad una rete di alimentazione in corrente alternata da 100 – 240 V, anche se il cavo di allacciamento da 12/24 V è ancora collegato.

Quando si commuta tra la rete di alimentazione in corrente alternata e l'alimentazione della batteria è possibile che il LED rosso rimanga acceso alcuni minuti.

- Inserire il cavo di allacciamento da 100–240 V (fig. **1** 3, pagina 3) nella presa a tensione alternata e collegarlo alla rete di alimentazione in corrente alternata da 100 – 240 V.

## **6.4 Utilizzo del dispositivo di controllo della batteria**

L'apparecchio dispone di un dispositivo di controllo automatico della batteria a più livelli che protegge la batteria del veicolo da uno scaricamento eccessivo durante il collegamento alla rete di bordo da 12/24 V.

Se il frigorifero viene azionato a motore spento all'interno del veicolo, il frigorifero si spegne automaticamente non appena la tensione di alimentazione scende al di sotto di un valore impostato. Il frigorifero si riaccende non appena viene raggiunta la tensione di ripristino ottenuta caricando la batteria.



### **AVVISO! Pericolo di danni!**

Quando la batteria viene spenta dal dispositivo di controllo automatico della batteria essa non dispone più della sua capacità di carica totale, evitare quindi ripetuti avvii o il funzionamento di reti di bordo senza fasi di carica di lunga durata. Fare in modo che la batteria venga ricaricata.

Nella modalità "HIGH", il dispositivo di controllo automatico della batteria si attiva più velocemente che nei livelli "LOW" e "MED" (vedi la tabella seguente).

<b>Modo operativo del dispositivo di controllo automatico della batteria</b>	<b>LOW</b>	<b>MED</b>	<b>HIGH</b>
<b>Tensione di interruzione a 12 V</b>	10,1 V	11,4 V	11,8 V
<b>Tensione di ripristino a 12 V</b>	11,1 V	12,2 V	12,6 V
<b>Tensione di interruzione a 24 V</b>	21,5 V	24,1 V	24,6 V
<b>Tensione di ripristino a 24 V</b>	23,0 V	25,3 V	26,2 V

Per modificare la modalità per il dispositivo di controllo automatico della batteria, procedere come segue:

- Accendere il frigorifero.
- Premere tre volte il tasto "SET" (fig. **3** 4, pagina 3).
- Impostare con i tasti "UP +" (fig. **3** 6, pagina 3) oppure "DOWN -" (fig. **3** 7, pagina 3), la modalità per il dispositivo di controllo automatico della batteria.
- ✓ Il display visualizza per alcuni secondi la modalità impostata. Il display lampeggia alcune volte prima di tornare alla rappresentazione della temperatura attuale.



#### **NOTA**

Se il frigorifero è alimentato dalla batteria di avviamento del veicolo, selezionare la modalità del dispositivo di controllo automatico della batteria "HIGH". Se il frigorifero è collegato ad una batteria di alimentazione, è sufficiente selezionare la modalità del dispositivo di controllo automatico della batteria "LOW".

Qualora si voglia mettere in funzione il frigorifero con rete di alimentazione in corrente alternata, portare il dispositivo di controllo automatico della batteria sulla posizione "LOW".



## 6.5 Come usare il frigorifero



### **AVVISO! Pericolo di surriscaldamento!**

Assicurarsi che il calore generato durante il funzionamento fuoriesca sufficientemente. Fare attenzione che le feritoie di aerazione non vengano coperte. Assicurarsi che la distanza fra l'apparecchio e le pareti o altri oggetti sia tale che l'aria possa circolare liberamente.

- Collocare il frigorifero su una base stabile. Assicurarsi che le feritoie di aerazione non vengano coperte e che l'aria calda prodotta possa fuoriuscire liberamente.



### **NOTA**

Posizionare il frigorifero secondo l'immagine (vedi fig.). Se il frigorifero viene posizionato in maniera differente, esso può venire danneggiato.

- Collegare il frigorifero, vedi capitolo "Come collegare il frigorifero" a pagina 102.



### **NOTA**

Qualora si voglia mettere in funzione il frigorifero con rete di alimentazione in corrente alternata, portare il dispositivo di controllo automatico della batteria sulla posizione "LOW".



### **AVVISO! Pericolo dovuto alla temperatura troppo bassa!**

Assicurarsi che nel frigorifero si trovino solo oggetti o prodotti che possono essere raffreddati alla temperatura selezionata.

- Premere il tasto "ON/OFF" (fig. **3** 1, pagina 3) da uno a due secondi.
- ✓ Il LED "POWER" è acceso.
- ✓ Il display (fig. **3** 5, pagina 3) si accende e visualizza l'attuale temperatura di raffreddamento.



### **NOTA**

La temperatura visualizzata si riferisce alla parte centrale del vano interno. La temperatura può essere diversa in altri punti.

- ✓ Lo spazio interno del frigorifero inizia a raffreddarsi.

**NOTA**

In caso di funzionamento a una batteria, il display si spegne automaticamente quando la tensione della batteria è bassa. Il LED "POWER" lampeggia con luce arancia.

**Bloccaggio del frigorifero (CF35, CF40)**

- Chiudere il coperchio.
- Premere il fermo (fig. **2** 1, pagina 3) verso il basso, finché non si innesta con uno scatto udibile.

**6.6 Regolazione della temperatura**

- Premere una volta il tasto "SET" (fig. **3** 4, pagina 3).
- Impostare la temperatura di raffreddamento con i tasti "UP +" (fig. **3** 6, pagina 3) oppure "DOWN -" (fig. **3** 7, pagina 3).
- ✓ Il display visualizza per alcuni secondi la temperatura di raffreddamento impostata. Il display lampeggia alcune volte prima di tornare alla rappresentazione della temperatura attuale.

**6.7 Come spegnere il frigorifero**

- Svuotare il frigorifero.
- Spegnere il frigorifero.
- Estrarre il cavo di allacciamento.

Nel caso in cui il frigorifero non venga utilizzato per un lungo periodo di tempo:

- Lasciare il coperchio leggermente aperto. In questo modo si impedisce la formazione di odori.

**6.8 Sbrinamento del frigorifero portatile**

L'umidità dell'aria può condensarsi sul vaporizzatore o all'interno del frigorifero formando brina la quale diminuisce la potenza frigorifera. Sbrinare perciò l'apparecchio a tempo debito.



### **AVVISO! Pericolo di danni!**

Non impiegare mai utensili duri o accuminati per rimuovere gli strati di ghiaccio o per liberare oggetti congelati.

Per sbrinare il frigorifero, procedere come segue:

- Togliere i prodotti dal frigorifero.
- Immagazzinarli eventualmente in un altro frigorifero affinché si mantengano freddi.
- Spegnere l'apparecchio.
- Lasciare il coperchio aperto.
- Asciugare la condensa.

## **6.9 Come sostituire il fusibile dell'apparecchio**



### **PERICOLO! Pericolo di morte a causa di scossa elettrica!**

Estrarre i cavi di allacciamento prima di sostituire il fusibile dell'apparecchio.

- Estrarre i cavi di allacciamento.
- Sbloccare il portafusibili (fig. **4** 2, pagina 4) utilizzando ad es. un cacciavite.
- Sostituire il fusibile difettoso con un fusibile nuovo dello stesso amperaggio (T4AL 250V).
- Premere di nuovo in sede il portafusibili.

## **6.10 Sostituzione del fusibile della spina (12/24 V)**

- Estrarre il manicotto di compensazione (fig. **7** 4, pagina 5) dalla spina.
- Svitare la vite (fig. **7** 5, pagina 5) dalla metà superiore dell'alloggiamento (fig. **7** 1, pagina 5).
- Sollevare con cautela la metà superiore dell'alloggiamento da quella inferiore (fig. **7** 6, pagina 5).
- Estrarre la spina di contatto (fig. **7** 3, pagina 5).
- Sostituire il fusibile difettoso (fig. **7** 2, pagina 5) con un nuovo fusibile dello stesso amperaggio (8 A, 32 V).
- Riassemblare la spina nell'ordine inverso.

**NOTA – Fusibile interno per corrente continua**

All'interno del dispositivo è presente un fusibile aggiuntivo per corrente continua (fusibile a innesto piatto conforme allo standard automobilistico, 10 A). Questo fusibile può essere sostituito solo da un centro autorizzato per le riparazioni.

## 6.11 Sostituire il corpo luminoso

- Premere il pin di commutazione (fig. **8** 2, pagina 5) verso il basso in modo tale che la parte trasparente (fig. **8** 1, pagina 5) della lampadina possa essere estratta dal davanti.
- Sostituire il corpo luminoso.

**NOTA**

Assicurarsi che i LED del corpo luminoso siano orientati verso la parte trasparente della lampadina.

- Inserire di nuovo in sede la parte trasparente della lampadina.

## 7 Pulizia e cura

**AVVERTENZA!**

Staccare l'apparecchio dalla rete ogni volta che si effettua la pulizia e la cura.

**AVVISO! Pericolo di danni!**

- Non lavare mai il frigorifero sotto acqua corrente e non immergerlo in acqua per risciaccarlo.
- Per la pulizia non impiegare detersivi corrosivi oppure oggetti ruvidi, perché potrebbero danneggiare il frigorifero.

- Pulire l'interno e l'esterno dell'apparecchio di tanto in tanto con un panno umido.
- Assicurarsi che le aperture di aerazione e disaerazione dell'apparecchio siano prive di polvere e sporcizia in modo da permettere, al calore generato durante il funzionamento, di fuoriuscire e non danneggiare l'apparecchio.

## 8 Garanzia

Vale il termine di garanzia previsto dalla legge. Qualora il prodotto risultasse difettoso, La preghiamo di rivolgersi alla filiale del produttore del suo Paese (l'indirizzo si trova sul retro del manuale di istruzioni), oppure al rivenditore specializzato di riferimento.

Per la riparazione e per il disbrigo delle condizioni di garanzia è necessario inviare la seguente documentazione:

- una copia della fattura con la data di acquisto del prodotto,
- un motivo su cui fondare il reclamo, oppure una descrizione del guasto.

## 9 Eliminazione dei disturbi

Disturbo	Possibile causa	Proposta di soluzione
L'apparecchio non funziona, il LED è spento.	Nella presa da 12/24 Volt (accendisigari) del veicolo non c'è tensione.	Nella maggior parte dei veicoli è necessario che l'interruttore di accensione sia inserito perché all'accendisigari possa arrivare tensione.
	Nella presa di tensione alternata non c'è tensione.	Provare a collegare l'apparecchio ad un'altra presa.
	Il fusibile dell'apparecchio è difettoso.	Sostituire il fusibile dell'apparecchio, vedi capitolo "Come sostituire il fusibile dell'apparecchio" a pagina 107.
	L'alimentatore integrato è difettoso.	I lavori di riparazione devono essere effettuati solo da un Punto Assistenza Clienti autorizzato.
L'apparecchio non raffredda (la spina è inserita nella presa, il LED "POWER" è acceso).	Compressore difettoso.	I lavori di riparazione devono essere effettuati solo da un Punto Assistenza Clienti autorizzato.
L'apparecchio non raffredda (la spina è inserita nella presa, il LED "POWER" lampeggia con luce arancione, il display è spento).	Tensione della batteria insufficiente.	Controllare la batteria ed eventualmente caricarla.

<b>Disturbo</b>	<b>Possibile causa</b>	<b>Proposta di soluzione</b>
In caso di funzionamento attraverso l'uscita per corrente continua: l'accensione è inserita, il dispositivo non funziona e il LED non è acceso.	L'uscita per corrente continua è sporca. Ciò determina un contatto elettrico insufficiente.	Se la spina del frigorifero portatile inserita nell'uscita per corrente continua si scalda molto, significa che è necessario pulirla o che non è stata montata correttamente.
	Il fusibile della spina per corrente continua si è bruciato.	Sostituire il fusibile della spina per corrente continua, vedi capitolo "Sostituzione del fusibile della spina (12/24 V)" a pagina 107.
	Il fusibile per corrente continua all'interno del dispositivo si è bruciato.	I lavori di riparazione devono essere effettuati solo da un centro autorizzato per le riparazioni.
	Il fusibile del veicolo è bruciato.	Sostituire il fusibile dell'uscita per corrente continua del veicolo. Fare riferimento al manuale di istruzioni del veicolo.
Il display indica un messaggio di errore (p.es. "Err1") e l'apparecchio non raffredda.	Un disturbo di funzionamento interno ha spento l'apparecchio.	I lavori di riparazione devono essere effettuati solo da un Punto Assistenza Clienti autorizzato.

## 10 Smaltimento

- Raccogliere il materiale di imballaggio possibilmente negli appositi contenitori di riciclaggio.



Quando il prodotto viene messo fuori servizio definitivamente, informarsi al centro di riciclaggio più vicino, oppure presso il proprio rivenditore specializzato, sulle prescrizioni adeguate concernenti lo smaltimento.

# 11 Specifiche tecniche

	<b>CF35</b>	<b>CF40</b>
Tensione di allacciamento:	12/24 V $\equiv$ e 100 – 240 V $\sim$	
Corrente nominale:		
– 12 V $\equiv$ :	6,0 A	6,0 A
– 24 V $\equiv$ :	3,0 A	3,0 A
– 100 – 240 V $\sim$ :	1,3 / 0,7 A	1,3 / 0,7 A
Capacità di raffreddamento:	+10 °C / –18 °C (+50 °F / 0 °F)	
Categoria:	1	1
Classe di efficienza energetica:	A+	A+
Consumo energetico:	92 kWh/annum	101 kWh/annum
Volume utile:	31 l	37 l
Classe climatica:	N, ST, T	N, ST, T
Temperatura ambiente:	+16 °C – +43 °C	+16 °C – +43 °C
Emissioni acustiche:	45 dB(A)	45 dB(A)
Quantità di refrigerante:	38 g	41 g
Equivalente CO <sub>2</sub> :	0,054 t	0,059 t
Potenziale di riscaldamento globale (GWP):	1430	
Dimensioni (L x A x P) in mm:	580 x 385 x 360	580 x 445 x 360
Peso:	15 kg	16 kg

	<b>CF50</b>
Tensione di allacciamento:	12/24 V $\equiv$ e 100 – 240 V $\sim$
Corrente nominale:	
– 12 V $\equiv$ :	7,0 A
– 24 V $\equiv$ :	3,0 A
– 100 – 240 V $\sim$ :	1,3 / 0,7 A
Capacità di raffreddamento:	+10 °C / -18 °C (+50 °F / 0 °F)
Categoria:	1
Classe di efficienza energetica:	A+
Consumo energetico:	110 kWh/annum
Volume utile:	47 l
Classe climatica:	N, ST, T
Temperatura ambiente:	+16 °C – +43 °C
Emissioni acustiche:	45 dB(A)
Quantità di refrigerante:	41 g
Equivalente CO <sub>2</sub> :	0,059 t
Potenziale di riscaldamento globale (GWP):	1430
Dimensioni (L x A x P) in mm:	630 x 480 x 360
Peso:	18 kg

**NOTA**

Con temperature ambiente a partire da +32 °C (+90 °F) in su, la temperatura minima non può più essere raggiunta.

Certificati di controllo:



Il circuito del refrigerante contiene R134a.

Contiene gas fluorurati a effetto serra

Apparecchiature ermeticamente sigillate



**Lees deze handleiding voor de ingebruikname zorgvuldig door en bewaar deze. Geef de handleiding bij doorgeven van het toestel door aan de gebruiker.**

De fabrikant kan niet aansprakelijk worden gesteld voor schade die door **gebruik tegen de voorschriften in** of door **verkeerde bediening** wordt veroorzaakt.

## Inhoudsopgave

<b>1</b>	<b>Verklaring van de symbolen</b>	114
<b>2</b>	<b>Veiligheidsinstructies</b>	114
2.1	Algemene veiligheid	114
2.2	Veiligheid bij het gebruik van het toestel	116
<b>3</b>	<b>Omvang van de levering</b>	116
<b>4</b>	<b>Gebruik volgens de voorschriften</b>	117
<b>5</b>	<b>Beschrijving van de werking</b>	117
5.1	Omvang functies	117
5.2	Bedienings- en indicatie-elementen	117
<b>6</b>	<b>Bediening</b>	119
6.1	Voor het eerste gebruik	119
6.2	Tips om energie te besparen	120
6.3	Koelbox aansluiten	120
6.4	Accumeter gebruiken	121
6.5	Koelbox gebruiken	122
6.6	Temperatuur instellen	123
6.7	Koelbox uitschakelen	123
6.8	Koelbox ontdooien	124
6.9	Toestelzekerings vervangen	124
6.10	Stekkerzekerings (12/24 V) vervangen	124
6.11	Gangbare lamp vervangen	125
<b>7</b>	<b>Reiniging en onderhoud</b>	125
<b>8</b>	<b>Garantie</b>	126
<b>9</b>	<b>Verhelpen van storingen</b>	126
<b>10</b>	<b>Afvoer</b>	127
<b>11</b>	<b>Technische gegevens</b>	128

# 1 Verklaring van de symbolen

**GEVAAR!**

**Veiligheidsaanwijzing:** Het niet naleven leidt tot overlijden of ernstig letsel.

**WAARSCHUWING!**

**Veiligheidsaanwijzing:** Het niet naleven kan leiden tot overlijden of ernstig letsel.

**VOORZICHTIG!**

**Veiligheidsaanwijzing:** Het niet naleven kan leiden tot letsel.

**LET OP!**

Het niet naleven ervan kan leiden tot materiële schade en de werking van het product beperken.

**INSTRUCTIE**

Aanvullende informatie voor het bedienen van het product.

## 2 Veiligheidsinstructies

### 2.1 Algemene veiligheid

**WAARSCHUWING!**

- Als het toestel zichtbaar beschadigd is, mag het niet in gebruik worden genomen.
- Als de aansluitkabel van dit toestel wordt beschadigd, moet deze, om gevaren te vermijden, door de fabrikant, diens klantenservice of een gelijkwaardig gekwalificeerd persoon vervangen worden.
- Reparaties aan dit toestel mogen uitsluitend door vakmonteurs uitgevoerd worden. Door ondeskundige reparaties kunnen grote gevaren ontstaan.

- Dit toestel kan door kinderen vanaf 8 jaar en ouder evenals door personen met verminderde fysieke, zintuiglijke of geestelijke vermogens of tekortschietende ervaring en/of kennis gebruikt worden, als ze worden begeleid of hun is uitgelegd hoe ze het toestel veilig kunnen gebruiken. Ook dienen ze inzicht te hebben in de gevaren die het gebruik van het toestel met zich meebrengt.
- Reiniging en gebruikersonderhoud mogen niet door kinderen zonder begeleiding worden uitgevoerd.
- Kinderen mogen niet met het toestel spelen.
- Er moet toezicht worden gehouden op kinderen, zodat ze niet met toestel gaan spelen.
- Bewaar en gebruik het toestel buiten het bereik van kinderen onder 8 jaar.
- Bewaar geen explosiegevaarlijke stoffen, zoals spuitbussen met brandbaar drijfgas, in het toestel.

**VOORZICHTIG!**

- Scheid het toestel van het net
  - voor iedere reiniging en ieder onderhoud
  - na elk gebruik
- Levensmiddelen mogen alleen in de originele verpakkingen of geschikte bakken worden opgeslagen.

**LET OP!**

- Vergelijk de spanning op het typeplaatje met de voorhanden energievoorziening.
- Sluit het toestel alleen als volgt aan:
  - met de DC-aansluitkabel aan een DC-stopcontact in het voertuig
  - of met de AC-aansluitkabel op het wisselstroomnet
- Trek de stekker nooit aan de aansluitkabel uit het stopcontact.
- Als het koeltoestel aan de DC-contactdoos is aangesloten: Klem uw koeltoestel en andere verbruikers van de accu af voor u een snellader aansluit.
- Als het koeltoestel aan de DC-contactdoos is aangesloten: Verbreek de verbinding of schakel het koeltoestel uit, als u de motor uitschakelt. Anders kan de accu worden ontladen.
- Het koeltoestel is niet geschikt voor het transport van bijtende of oplosmiddelhoudende stoffen.

- Deze koeltoestel bevat in de isolering brandbaar cyclopentaan. De gassen in het isoleringsmateriaal vereisen een bijzonder afvoerproces. Voer het apparaat aan het einde van zijn levensduur af volgens de voorschriften.

## 2.2 Veiligheid bij het gebruik van het toestel



### VOORZICHTIG!

- Let er voor de ingebruikneming op dat de voedingskabel en de stekker droog zijn.



### LET OP!

- Gebruik geen elektrische toestellen binnen de koeltoestel, behalve als deze toestellen daarvoor door de fabrikant worden aanbevolen.
- Zet het toestel niet in de buurt van open vlammen of andere warmtebronnen (verwarming, sterke zonnestraling, gasovens enz.).
- **Oververhittingsgevaar!**  
Let er altijd op dat de warmte, die bij het bedrijf ontstaat, goed afgevoerd kan worden. Zorg ervoor, dat het toestel op voldoende afstand tot wanden en voorwerpen staat, zodat de lucht kan circuleren.
- Let erop dat de ventilatiesleuven niet worden afgedekt.
- Doe geen vloeistoffen of ijs in het binnenreservoir.
- Dompel het toestel nooit onder water.
- Bescherm het toestel en de kabels tegen hitte en vocht.

## 3 Omvang van de levering

Nr. in afb. <b>1</b> , pagina 3	Aantal	Omschrijving
1	1	Koelbox
2	1	Aansluitkabel voor 12/24 V---aansluiting
3	1	Aansluitkabel voor 100/240-V~aansluiting
4	2	Draaggreep, bestaande uit: <ul style="list-style-type: none"> <li>– 2 houders</li> <li>– 1 handvat</li> <li>– 4 bevestigingsschroeven</li> </ul>
–	1	Gebruiksaanwijzing

## 4 Gebruik volgens de voorschriften

De koelbox is geschikt voor het koelen en diepvriezen van levensmiddelen. Het toestel is ook voor het gebruik op boten geschikt.

Het toestel is gemaakt voor het gebruik op een 12-V--- of 24-V---boordstopcontact van een voertuig (bijv. sigarettenaansteker), boot of camper en op een 100/240-V~-wisselstroomnet.



### **VOORZICHTIG! Gevaar voor de gezondheid!**

Controleer of het koelvermogen van het toestel voldoet aan de eisen van de levensmiddelen of geneesmiddelen die u wilt koelen.

## 5 Beschrijving van de werking

De koelbox kan warm afkoelen, koel houden en diepvriezen. De koeling gebeurt door een onderhoudsvrij koelcircuit met compressor. De extra sterke isolatie en de krachtige compressor garanderen een bijzonder snelle koeling.

De koelbox is geschikt voor mobiel gebruik.

Bij het gebruik op boten kan de koelbox aan een permanente helling van 30° worden blootgesteld.

### 5.1 Omvang functies

- Voedingseenheid met voorrangschakeling naar de aansluiting op wisselspanning
- Drietrap accubewaker ter beveiliging van de voertuigaccu
- Turbo-modus voor het sneller koelen
- Display met temperatuurindicatie, wordt bij lage accuspanning automatisch uitgeschakeld
- Temperatuurinstelling: met twee toetsen in stappen van 1 °C (2 °F)
- Monteerbare draaggrepen

### 5.2 Bedienings- en indicatie-elementen

#### **CF35, CF40**

Vergrendeling van het deksel: afb. **2** 1, pagina 3

**CF35, CF40, CF50**Bedieningspaneel (afb. **3**, pagina 3)

Pos.	Omschrijving	Verklaring
1	ON OFF	Schakelt de koelbox in of uit als de toets één tot twee seconden wordt ingedrukt
2	POWER	Bedrijfsindicatie LED brandt groen: compressor is aan LED brandt oranje: compressor is uit LED knippert oranje: Display is automatisch uitgeschakeld, omdat accuspanning te laag is
3	ERROR	LED knippert rood: ingeschakeld toestel is niet klaar voor gebruik
4	SET	Kiest de invoermodus – temperatuurinstelling – aanduiding van °Celsius of °Fahrenheit – accubewaker instellen
5	–	Display, geeft de waarden weer
6	UP +	Eén keer aantippen verhoogt de gekozen invoerwaarde
7	DOWN –	Eén keer aantippen verlaagt de gekozen invoerwaarde

Aansluitbussen (afb. **4**, pagina 4):

Pos.	Omschrijving
1	Aansluitbussen wisselspanningsvoorziening
2	Zekeringhouder
3	Aansluitbussen gelijkspanningsvoorziening

## 6 Bediening

### 6.1 Voor het eerste gebruik



#### INSTRUCTIE

Voor u de nieuwe koelbox in gebruik neemt, moet u hem om hygiënische redenen van binnen en van buiten reinigen met een vochtige doek (zie ook hoofdstuk „Reiniging en onderhoud“ op pagina 125).

#### Grepen monteren

De grepen worden los meegeleverd. Als u de grepen wilt monteren, gaat u als volgt tewerk:

- steek de twee houders (afb. **5** 1, pagina 4) en een handvat (afb. **5** 2, pagina 4) in elkaar tot een greep.
- bevestig de greep met de meegeleverde schroeven in de daarvoor bedoelde gaten.

#### Dekselaanslag omdraaien (CF50)

U kunt de dekselaanslag omdraaien, indien u het deksel naar de andere kant wilt openen. Ga hiervoor als volgt te werk:

- Open het deksel en trek hem eruit (afb. **6** A, pagina 5).
- Draai het deksel.
- Zet het deksel in de dekselhouders aan de tegenoverliggende zijde van de koelbox (afb. **6** B, pagina 5).

#### Temperatuureenheid kiezen

U kunt voor de temperatuurindicatie tussen de waarden voor °Celsius en °Fahrenheit kiezen. Ga hiervoor als volgt te werk:

- Schakel de koelbox in.
- Druk twee keer op de toets „SET“ (afb. **3** 4, pagina 3).
- Stel met de toetsen „UP +“ (afb. **3** 6, pagina 3) resp. „DOWN –“ (afb. **3** 7, pagina 3), de temperatuureenheid °Celsius of °Fahrenheit in.
- ✓ Het display geeft voor enkele seconden de ingestelde temperatuureenheid weer. Het display knippert een paar keer, voordat de weergave van de actuele temperatuur weer verschijnt.

## 6.2 Tips om energie te besparen

- Kies een goed geventileerde en tegen zonnestralen beschermde plaats.
- Laat warme spijzen eerst afkoelen, voordat u ze in het toestel koel houdt.
- Open het koeltoestel niet vaker dan nodig.
- Laat het koeltoestel niet langer open dan nodig is.
- Ontdooi de koelbox zodra er zich een ijslaag gevormd heeft.
- Vermijd een onnodig lage binnentemperatuur.

## 6.3 Koelbox aansluiten

### Op een accu aansluiten (voertuig of boot)

De koelbox kan met 12 V of met 24 V gelijkspanning gebruikt worden.



#### **LET OP! Gevaar voor beschadiging van het toestel!**

Koppel de koelbox en andere verbruikers van de accu los, voordat u de accu met een snellader oplaadt.

Overspanningen kunnen de elektronica van de toestellen beschadigen.

Voor de veiligheid is de koelbox met een elektronische beveiliging tegen verkeerd polen uitgerust, die de koelbox tegen verkeerd polen bij de accu-aansluiting en tegen kortsluiting beschermt.

- Steek de 12/24 V-aansluitkabel (afb. **1** 2, pagina 3) in de gelijkspanningsbus en sluit hem aan op de sigarettenaansteker of een 12-V- of 24-V-stopcontact.

### Op een 100/240-V-wisselstroomnet aansluiten (bijv. thuis of op het kantoor)



#### **GEVAAR! Levensgevaar door elektrische schok!**

- Werk nooit met stekkers en schakelaars, als u natte handen heeft of met uw voeten op een natte ondergrond staat.
- Als u uw koelbox aan boord van een boot per landaansluiting op het 100/240-V-wisselstroomnet gebruikt, moet u in ieder geval een aardlekschakelaar tussen 100/240-V-wisselstroomnet en koelbox schakelen.  
Laat u door een vakman adviseren.



De koelboxen beschikken over een geïntegreerde multispansningsvoedingseenheid met voorrangschakeling naar de aansluiting op wisselspanning van 100/240 V. Door de voorrangschakeling wordt automatisch omgeschakeld op voeding via het stroomnet, als het toestel op een 100/240-V-wisselstroomnet is aangesloten, ook als de 12/24-V-aansluitkabel nog is aangesloten.

Bij het omschakelen tussen wisselstroomnet en accuvoeding kan gedurende enkele minuten de rode LED branden.

- Steek de 100/240-V-aansluitkabel (afb. **1** 3, pagina 3) in de wisselspanningsbus en sluit deze aan op het 100/240-V-wisselstroomnet.

## 6.4 Accumeter gebruiken

Het toestel is uitgerust met een meertraps accumeter, die uw voertuigaccu bij de aansluiting op het 12/24 V-boordnet beschermt tegen te diepe ontlading.

Als de koelbox bij uitgeschakeld contact in het voertuig wordt gebruikt, schakelt de box automatisch uit zodra de voedingsspanning daalt onder een ingestelde waarde. De koelbox schakelt weer in zodra door oplading van de accu de herinschakelspanning is bereikt.



### LET OP! Gevaar voor beschadiging!

De accu beschikt bij het uitschakelen door de accumeter niet meer over de volledige laadcapaciteit. Vermijd veelvuldig starten of het gebruik van stroomverbruikers zonder lange laadfasen. Zorg ervoor dat de accu weer geladen wordt.

In de stand „HIGH” wordt de accumeter sneller geactiveerd dan in de standen „LOW” en „MED” (zie volgende tabel).

Accumeter-modus	LOW	MED	HIGH
<b>Uitschakelspanning bij 12 V</b>	10,1 V	11,4 V	11,8 V
<b>Herinschakelspanning bij 12 V</b>	11,1 V	12,2 V	12,6 V
<b>Uitschakelspanning bij 24 V</b>	21,5 V	24,1 V	24,6 V
<b>Herinschakelspanning bij 24 V</b>	23,0 V	25,3 V	26,2 V

Om de modus voor de accubewaker te wijzigen, gaat u als volgt te werk:

- Schakel de koelbox in.
- Druk drie keer op de toets „SET” (afb. **3** 4, pagina 3).

- ▶ Stel met de toetsen „UP +“ (afb. **3** 6, pagina 3) resp. „DOWN –“ (afb. **3** 7, pagina 3), de modus voor de accubewaker in.
- ✓ Het display geeft voor enkele seconden de ingestelde modus weer. Het display knippert een paar keer, voordat de weergave van de actuele temperatuur weer verschijnt.



### INSTRUCTIE

Als de koelbox wordt gevoed door de starteraccu, kiest u de accumeter-modus „HIGH“. Als de koelbox is aangesloten op een voedingsaccu, is de accumeter-modus „LOW“ voldoende.

Als u de koelbox op het wisselstroomnet wilt gebruiken, zet u de accumeter op de positie „LOW“.

## 6.5 Koelbox gebruiken



### LET OP! Oververhittingsgevaar!

Let er altijd op dat de warmte, die bij het gebruik ontstaat, goed afgevoerd kan worden. Let erop dat de ventilatiesleuven niet worden afgedekt. Zorg ervoor, dat het toestel op voldoende afstand tot wanden en voorwerpen staat, zodat de lucht kan circuleren.

- ▶ Plaats de koelbox op een vaste ondergrond.  
Let erop dat de ventilatiesleuven niet zijn afgedekt en de verwarmde lucht goed kan wegtrekken.



### INSTRUCTIE

Stel de koelbox zoals weergegeven op (zie afb.). Als de box in een andere positie gebruikt wordt, kan dit schade aan het toestel veroorzaken.

- ▶ Sluit de koelbox aan, zie hoofdstuk „Koelbox aansluiten“ op pagina 120.



### INSTRUCTIE

Als u de koelbox op het wisselstroomnet wilt gebruiken, zet u de accumeter op de positie „LOW“.



### LET OP! Gevaar door te lage temperatuur!

Zorg ervoor dat er zich alleen voorwerpen of waren in de koelbox bevinden die op de gekozen temperatuur gekoeld mogen worden.

- ▶ Druk één tot twee seconden op de toets „ON/OFF“ (afb. **3** 1, pagina 3).

- ✓ De LED „POWER” brandt.
- ✓ Het display (afb. **3** 5, pagina 3) wordt ingeschakeld en geeft de actuele koeltemperatuur weer.



### INSTRUCTIE

De weergegeven temperatuur heeft betrekking op het midden van de binnenruimte. De temperatuur op andere plekken kan daarvan afwijken.

- ✓ De koelbox start met het koelen van de binnenruimte.



### INSTRUCTIE

Bij het bedrijf aan een accu schakelt het display automatisch uit als de accuspanning te laag is. De LED „POWER” knippert oranje.

## Koelbox vergrendelen (CF35, CF40)

- Sluit het deksel.
- Druk de vergrendeling (afb. **2** 1, pagina 3) naar beneden tot deze hoorbaar vastklikt.

## 6.6 Temperatuur instellen

- Druk één keer op de toets „SET” (afb. **3** 4, pagina 3).
- Stel met de toetsen „UP +” (afb. **3** 6, pagina 3) resp. „DOWN -” (afb. **3** 7, pagina 3) de koeltemperatuur in.
- ✓ Het display geeft gedurende enkele seconden de ingestelde gewenste koeltemperatuur weer. Het display knippert een paar keer, voordat de weergave van de actuele temperatuur weer verschijnt.

## 6.7 Koelbox uitschakelen

- Leeg de koelbox.
- Schakel de koelbox uit.
- Trek de aansluitkabel uit het stopcontact.

Als u de koelbox gedurende langere tijd niet wilt gebruiken:

- Laat het deksel licht geopend. Zo verhindert u geurvorming.

## 6.8 Koelbox ontdooien

Luchtvochtigheid kan zich op de verdampers of in de binnenruimte van de koelbox als rijp afzetten, waardoor het koelvermogen verminderd wordt. Ontdooi het toestel tijdig.



### **LET OP! Bevaar voor beschadiging van het toestel!**

Gebruik nooit hard of spits gereedschap voor het verwijderen van ijslagen of het losmaken van vastgevroren voorwerpen.

Ga als volgt te werk om de koelbox te ontdooien:

- neem de waren eruit.
- bewaar deze evt. in een ander koeltoestel zodat ze koud blijven.
- schakel het toestel eerst uit.
- laat het deksel open.
- veeg het dooiwater weg.

## 6.9 Toestelzekering vervangen



### **GEVAAR! Levensgevaar door elektrische schok!**

Trek voor het vervangen van de toestelzekering de aansluitkabels los.

- Trek de aansluitkabels los.
- Verwijder de zekeringhouder (afb. **4** 2, pagina 4) bijv. met een schroevendraaier.
- Vervang de defecte zekering door een nieuwe zekering met dezelfde waarde (T4AL 250V).
- Druk de zekeringhouder weer in de behuizing.

## 6.10 Stekkerzekering (12/24 V) vervangen

- Trek de adapter (afb. **7** 4, pagina 5) van de stekker.
- Draai de schroef (afb. **7** 5, pagina 5) uit het bovenste deel van de behuizing (afb. **7** 1, pagina 5).
- Til voorzichtig het bovenste deel van de behuizing van het onderste deel (afb. **7** 6, pagina 5).
- Neem de contactpen (afb. **7** 3, pagina 5) eruit.

- Vervang de defecte zekering (afb. **7** 2, pagina 5) door een nieuwe zekering met dezelfde waarde (8 A, 32 V).
- Zet de stekker in omgekeerde volgorde weer in elkaar.

**INSTRUCTIE – Interne DC-zekering**

Er bevindt zich een extra DC-zekering in het toestel (automobiel-standaard steekzekering, 10 A). Deze zekering mag alleen worden vervangen door een geautoriseerde reparatiewerkplaats.

## 6.11 Gangbare lamp vervangen

- Druk de bevestigingspin (afb. **8** 2, pagina 5) naar beneden, zodat het transparante deel (afb. **8** 1, pagina 5) van de lamp naar voren toe kan worden verwijderd.
- Vervang de gangbare lamp.

**INSTRUCTIE**

De leds in de gangbare lamp moeten in de richting van het transparante deel van de lamp wijzen.

- Plaats het transparante deel van de lamp weer in de behuizing.

## 7 Reiniging en onderhoud

**WAARSCHUWING!**

Scheid voor elke reiniging en verzorging het toestel van het net.

**LET OP! Gevaar voor beschadiging!**

- Reinig het koeltoestel nooit onder stromend water of in afwaswater.
- Gebruik voor het reinigen geen bijtende schoonmaakmiddelen of harde voorwerpen, aangezien het koeltoestel hierdoor beschadigd zou kunnen raken.

- Reinig het toestel van binnen en buiten af en toe met een vochtige doek.
- Zorg ervoor dat de ventilatieopeningen van het toestel vrij zijn van stof en verontreinigingen, zodat de bij het gebruik ontstane warmte kan worden afgevoerd en het toestel niet beschadigd raakt.

## 8 Garantie

De wettelijke garantieperiode is van toepassing. Als het product defect is, wendt u zich tot het filiaal van de fabrikant in uw land (adressen zie achterkant van de handleiding) of tot uw speciaalzaak.

Voor de afhandeling van de reparatie of garantie dient u de volgende documenten mee te sturen:

- een kopie van de factuur met datum van aankoop,
- reden van de klacht of een beschrijving van de storing.

## 9 Verhelpen van storingen

Storing	Mogelijke oorzaak	Voorstel tot oplossing
Het toestel functioneert niet, LED brandt niet.	Op het 12/24 Volt-stopcontact (sigaretten-aansteker) in het voertuig staat geen spanning.	In de meeste voertuigen moet de contactschakelaar ingeschakeld zijn om de sigarettenaansteker van spanning te voorzien.
	Op het wisselspanningsstopcontact staat geen spanning.	Probeer een ander stopcontact.
	Toestelzekering is defect.	Vervang de toestelzekering, zie hoofdstuk „Toestelzekering vervangen” op pagina 124.
	De geïntegreerde voedingseenheid is defect.	De reparatie kan alleen door een geautoriseerd servicebedrijf uitgevoerd worden.
Het toestel koelt niet (stekker is in het stopcontact, LED „POWER” brandt).	Compressor defect.	De reparatie kan alleen door een geautoriseerd servicebedrijf uitgevoerd worden.
Het toestel koelt niet (stekker zit in het stopcontact, LED „POWER” knippert oranje, display is uitgeschakeld).	Accuspanning onvoldoende.	Controleer de accu en laadt hem indien nodig.

Storing	Mogelijke oorzaak	Voorstel tot oplossing
Bij gebruik met de DC-uitgang: Het contact is aan, het toestel werkt niet en de led brandt niet.	De DC-uitgang is vervuild. Dit leidt tot een slecht elektrisch contact.	Als de stekker van uw koelbox in de DC-uitgang zeer heet wordt, moet ofwel de DC-uitgang worden gereinigd of is de stekker niet correct in elkaar gezet.
	De zekering van de DC-stekker is doorgebrand.	Vervang de zekering in de DC-stekker, zie hoofdstuk „Stekkerzekering (12/24 V) vervangen” op pagina 124.
	De DC-zekering in het toestel is doorgebrand.	Deze kan alleen worden gerepareerd door een geautoriseerde reparatiewerkplaats.
	De voertuigzekering is doorgebrand.	Vervang de DC-uitgangszekering van het voertuig. Zie de bedieningshandleiding van uw voertuig.
Het display geeft een foutmelding (bijv. „Err1”) weer en het toestel koelt niet.	Een interne bedrijfsstoring heeft het toestel uitgeschakeld.	De reparatie kan alleen door een geautoriseerd servicebedrijf uitgevoerd worden.

## 10 Afvoer

- Laat het verpakkingsmateriaal indien mogelijk recyclen.



Als u het product definitief buiten bedrijf stelt, informeer dan bij het dichtstbijzijnde recyclingcentrum of uw speciaalzaak naar de betreffende afvoervoorschriften.

# 11 Technische gegevens

	<b>CF35</b>	<b>CF40</b>
Aansluitspanning:	12/24 V $\equiv$ en 100/240 V $\sim$	
Nominale stroom:		
– 12 V $\equiv$ :	6,0 A	6,0 A
– 24 V $\equiv$ :	3,0 A	3,0 A
– 100 – 240 V $\sim$ :	1,3 tot 0,7 A	1,3 tot 0,7 A
Koelvermogen:	+10 °C tot –18 °C (+50 °F tot 0 °F)	
Categorie:	1	1
Energie-efficiëntieklasse:	A+	A+
Energieverbruik:	92 kWh per jaar	101 kWh per jaar
Nuttige inhoud:	31 l	37 l
Klimaatklasse:	N, ST, T	N, ST, T
Omgevingstemperatuur:	+16 °C – +43 °C	+16 °C – +43 °C
Geluidsemissie:	45 dB(A)	45 dB(A)
Koelmiddelhoeveelheid:	38 g	41 g
CO <sub>2</sub> -equivalent:	0,054 t	0,059 t
Aardopwarmingsvermogen (GWP):	1430	
Afmetingen (b x h x d) in mm:	580 x 385 x 360	580 x 445 x 360
Gewicht:	15 kg	16 kg



	<b>CF50</b>
Aansluitspanning:	12/24 V $\equiv$ en 100/240 V $\sim$
Nominale stroom:	
– 12 V $\equiv$ :	7,0 A
– 24 V $\equiv$ :	3,0 A
– 100 – 240 V $\sim$ :	1,3 tot 0,7 A
Koelvermogen:	+10 °C tot –18 °C (+50 °F tot 0 °F)
Categorie:	1
Energie-efficiëntieklasse:	A+
Energieverbruik:	110 kWh per jaar
Nuttige inhoud:	47 l
Klimaatklasse:	N, ST, T
Omgevingstemperatuur:	+16 °C – +43 °C
Geluidsemissie:	45 dB(A)
Koelmiddelhoeveelheid:	41 g
CO <sub>2</sub> -equivalent:	0,059 t
Aardopwarmingsvermogen (GWP):	1430
Afmetingen (b x h x d) in mm:	630 x 480 x 360
Gewicht:	18 kg



### INSTRUCTIE

Bij omgevingstemperaturen van meer dan +32 °C (+90 °F) kan de minimale temperatuur niet meer worden bereikt.

Keurmerk/certificaten:



Het koelcircuit bevat R134a.

Bevat gefluoreerde broeikasgassen

Hermetisch afgesloten apparaat

**Læs denne vejledning omhyggeligt før ibrugtagning, og opbevar den. Giv den til brugeren, hvis du giver køleapparatet videre.**

Producenten hæfter ikke for skader, der er forårsaget af **ukorrekt brug** eller **forkert betjening**.

## Indholdsfortegnelse

<b>1</b>	<b>Forklaring af symbolerne</b> .....	131
<b>2</b>	<b>Sikkerhedshenvisninger</b> .....	131
2.1	Generel sikkerhed .....	131
2.2	Sikkerhed under anvendelse af apparatet .....	133
<b>3</b>	<b>Leveringsomfang</b> .....	133
<b>4</b>	<b>Korrekt brug</b> .....	134
<b>5</b>	<b>Funktionsbeskrivelse</b> .....	134
5.1	Funktionsomfang .....	134
5.2	Betjenings- og visningslementer .....	135
<b>6</b>	<b>Betjening</b> .....	136
6.1	Før første brug .....	136
6.2	Tips til energibesparelse .....	137
6.3	Tilslutning af køleboksen .....	137
6.4	Anvendelse af batteriovervågningen .....	138
6.5	Anvendelse af køleboksen .....	139
6.6	Indstilling af temperaturen .....	140
6.7	Frakobling af køleboksen .....	140
6.8	Afrimning af køleboksen .....	141
6.9	Udskiftning af apparatsikringen .....	141
6.10	Udskiftning af stiksikringen (12/24 V) .....	141
6.11	Udskiftning af lyselementet .....	142
<b>7</b>	<b>Rengøring og vedligeholdelse</b> .....	142
<b>8</b>	<b>Garanti</b> .....	143
<b>9</b>	<b>Udbedring af fejl</b> .....	143
<b>10</b>	<b>Bortskaffelse</b> .....	144
<b>11</b>	<b>Tekniske data</b> .....	145

# 1 Forklaring af symbolerne

**FARE!**

**Sikkerhedshenvisning:** Manglende overholdelse medfører død eller alvorlig kvæstelse.

**ADVARSEL!**

**Sikkerhedshenvisning:** Manglende overholdelse kan medføre død eller alvorlig kvæstelse.

**FORSIGTIG!**

**Sikkerhedshenvisning:** Manglende overholdelse kan medføre kvæstelser.

**VIGTIGT!**

Manglende overholdelse kan medføre materielle skader og begrænse produktets funktion.

**BEMÆRK**

Supplerende informationer om betjening af produktet.

## 2 Sikkerhedshenvisninger

### 2.1 Generel sikkerhed

**ADVARSEL!**

- Hvis apparatet har synlige beskadigelser, må du ikke tage det i brug.
- Hvis dette apparats tilslutningskabel beskadiges, skal det udskiftes af producenten, dennes kundeservice eller en lignende kvalificeret person for at undgå farer.
- Reparationer på dette apparat må kun foretages af fagfolk. Ved ukorrekte reparationer kan der opstå betydelige farer.
- Dette apparat kan anvendes af børn over 8 år og derudover af personer med begrænsede fysiske, sanse- eller mentale evner eller uden erfaring og/eller viden, hvis de er under opsyn eller blev instrueret i sikker brug af apparatet og forstår farerne, der følger heraf.

- Rengøring og brugerens vedligeholdelse må ikke udføres af børn uden opsyn.
- Børn må ikke lege med apparatet.
- Børn bør være under opsyn for at sikre, at de ikke leger med apparatet.
- Opbevar og anvend apparatet uden for børns rækkevidde (under 8 år).
- Opbevar ikke eksplosive stoffer, som f.eks. spraydåser med drivgas, i apparatet.

**FORSIGTIG!**

- Afbryd apparatet fra nettet
  - før rengøring og vedligeholdelse
  - efter brug
- Levnedsmidler må kun opbevares i original emballage eller egnede beholdere.

**VIGTIGT!**

- Sammenlign spændingsangivelsen på typeskiltet med energiforsyningen, der er til rådighed.
- Tilslut kun apparatet på følgende måde:
  - Til en DC-stikdåse i køretøjet med DC-tilslutningskablet
  - Eller til vekselstrømnettet med AC-tilslutningskablet
- Træk aldrig stikket ud af stikdåsen med tilslutningskablet.
- Når køleapparatet er tilsluttet til DC-stikdåsen: Afbryd køleapparatet og andre forbrugere fra batteriet, før du tilslutter hurtigopladeren.
- Når køleapparatet er tilsluttet til DC-stikdåsen: Afbryd forbindelsen, eller slå køleapparatet fra, når motoren standses. I modsat fald kan batteriet blive afladet.
- Køleapparatet er ikke egnet til transport af stoffer, der er ætsende eller indeholder opløsningsmidler.
- Dette køleapparatet indeholder brændbart cyklopentan i isoleringen. Gasserne i isoleringsmaterialet kræver en særlig bortskaffelsesmetode. Aflever apparatet til korrekt bortskaffelse ved afslutningen af dets levetid.

## 2.2 Sikkerhed under anvendelse af apparatet



### FORSIGTIG!


- Kontrollér før ibrugtagning, at ledningen og stikket er tørre.



### VIGTIGT!

- Anvend ikke elektriske apparater i køleapparatet, undtagen hvis producenten anbefaler disse apparater hertil.
- Stil ikke apparatet i nærheden af åben ild eller andre varmekilder (varmeapparater, stærk sol, gasovne osv.).
- **Fare for overophedning!**  
Sørg altid for, at varme, der opstår under driften, kan føres tilstrækkeligt bort. Sørg for, at apparatet har tilstrækkelig afstand til vægge og genstande, så luften kan cirkulere.
- Ventilationsåbningerne må ikke tildækkes.
- Fyld ikke væsker eller is i den indvendige beholder.
- Dyb aldrig apparatet i vand.
- Beskyt apparatet og kablerne mod varme og fugtighed.

## 3 Leveringsomfang

Nr. på fig.  , side 3	Mængde	Betegnelse
1	1	Køleboks
2	1	Tilslutningskabel til 12/24 V $\overline{\text{---}}$ -tilslutning
3	1	Tilslutningskabel til 100 – 240 V $\sim$ -tilslutning
4	2	Bæregreb, bestående af: <ul style="list-style-type: none"> <li>– 2 holdere</li> <li>– 1 grebsstykke</li> <li>– 4 fastgørelsesskruer</li> </ul>
–	1	Betjeningsvejledning

## 4 Korrekt brug

Køleboksen egner sig til at køle og dybfryse levnedsmidler. Apparatet er også egnet til anvendelse på både.

Apparatet er beregnet til tilslutning til en 12 V $\text{---}$  eller 24 V $\text{---}$ -stikdåse i ledningsnettet i en bil (f.eks. cigarettænder), båd eller autocamper samt til et 100 – 240 V $\sim$ -vekselstrømnet.



### **FORSIGTIG! Sundhedsfare!**

Kontrollér, om apparatets kølekapacitet svarer til kravene for fødevarerne eller lægemidlerne, som du vil køle.

## 5 Funktionsbeskrivelse

Køleboksen kan afkøle varer og holde varer kolde samt dybfryse dem. Afkølingen foretages med et vedligeholdelsesfrit kølekredsløb med kompressor. Den ekstra kraftige isolering og den effektive kompressor sikrer en særlig hurtig afkøling.

Køleboksen er egnet til mobil anvendelse.

Hvis køleboksen anvendes på både, kan det udsættes for en konstant hældning på 30°.

### 5.1 Funktionsomfang

- Netdel med prioritetskobling til tilslutning til vekselspænding
- Tretrins batteriovervågning til beskyttelse af køretøjets batteri
- Turbo-modus til hurtigere afkøling
- Display med temperaturvisning, frakobles automatisk ved lav batterispænding
- Temperaturindstilling: Med to taster i 1 °C (2 °F)-trin
- Monterbare bæregreb

## 5.2 Betjenings- og visningselementer

### CF35, CF40

Låsning af låget: fig. **2** 1, side 3

### CF35, CF40, CF50

Betjeningsfelt (fig. **3**, side 3)

Pos.	Betegnelse	Forklaring
1	ON OFF	Tænder eller slukker køleboksen, når der trykkes på tasten i et til to sekunder
2	POWER	Driftsindikator
		Lysdioden lyser grønt: Kompressoren er tændt
		Lysdioden lyser orange: Kompressoren er slukket
		Lysdioden blinker orange: Display blev frakoblet automatisk, fordi batterispændingen er lav
3	ERROR	Lysdioden blinker rødt: Det tændte apparat er ikke driftsklart.
4	SET	Vælger indtastningsmodusen – temperaturindstilling – angivelse af °celsius eller °fahrenheit – indstilling af batteriovervågning
5	–	Display, viser værdierne
6	UP +	Et tryk forøger den valgte indtastningsværdi
7	DOWN –	Et tryk reducerer den valgte indtastningsværdi

Tilslutningsbøsninger (fig. **4**, side 4):

Pos.	Betegnelse
1	Tilslutningsbøsning vekselspændingsforsyning
2	Sikringsholder
3	Tilslutningsbøsning jævnspændingsforsyning

## 6 Betjening

### 6.1 Før første brug



#### BEMÆRK

Før du tager den nye køleboks i brug, bør du af hygiejniske årsager rengøre den indvendigt og udvendigt med en fugtig klud (se også kapitlet „Rengøring og vedligeholdelse“ på side 142).

#### Montering af grebene

Grebene ligger løst sammen med køleboksen. Hvis du vil montere grebene, skal du gå frem på følgende måde:

- Sæt altid to holdere (fig. **5** 1, side 4) og et grebsstykke (fig. **5** 2, side 4) sammen til et greb.
- Fastgør grebet i de dertil beregnede huller med de vedlagte skruer.

#### Omdrejning af låglukningen (CF50)

Du kan dreje låglukningen om, hvis du vil åbne låget til den anden side. Gå frem på følgende måde:

- Åbn låget, og træk det ud (fig. **6** A, side 5).
- Drej låget.
- Sæt låget ind i lågholderne på den modsatte side af køleboksen (fig. **6** B, side 5).

#### Valg af temperaturenhed

Til temperaturvisningen kan der vælges mellem værdierne for °celsius og °fahrenheit. Gå frem på følgende måde:

- Tænd for køleboksen.
- Tryk to gange på tasten „SET“ (fig. **3** 4, side 3).
- Indstil temperaturenheden °celsius eller °fahrenheit med tasterne „UP +“ (fig. **3** 6, side 3) eller „DOWN –“ (fig. **3** 7, side 3).
- ✓ Displayet viser den indstillede temperaturenhed i et par sekunder. Displayet blinker et par gange, før det skifter tilbage til visning af den aktuelle temperatur.



## 6.2 Tips til energibesparelse

- Vælg et anvendelsessted, der er godt ventileret og beskyttet mod sol.
- Lad først varm mad afkøle, før du holder den kold i apparatet.
- Åbn ikke køleapparatet hyppigere end nødvendigt.
- Lad ikke køleapparatet forblive åbent længere end nødvendigt.
- Afrim køleboksen, så snart der har dannet sig et islag.
- Undgå unødigt lav indvendig temperatur.

## 6.3 Tilslutning af køleboksen

### Tilslutning til et batteri (køretøj eller båd)

Køleboksen kan tilsluttes til 12 V eller 24 V jævnspænding.



#### **VIGTIGT! Fare for skader på apparatet!**

Afbryd køleboksen og andre forbrugere fra batteriet, før du oplader batteriet med en hurtigoplader.

Overspænding kan beskadige apparatets elektronik.

Af sikkerhedsmæssige årsager er køleboksen udstyret med en elektronisk polbeskyttelse, der beskytter køleboksen mod forkert polforbindelse ved tilslutning til batterier og mod kortslutning.

- Sæt 12/24 V-tilslutningskablet (fig. **1** 2, side 3) i jævnspændingsstikket, og tilslut det til cigarettænderen eller en 12 V eller 24 V-stikdåse.

### Tilslutning til et 100 – 240 V-vekselstrømnet (f.eks. hjemme eller på kontoret)



#### **FARE! Livsfare på grund af elektrisk stød!**

- Berør aldrig stik og kontakter, når du har våde hænder eller står med fødderne i vand.
- Hvis køleboksen skal anvendes om bord på en båd ved hjælp af en tilslutning på 100 – 240 V-vekselstrømnettet på land, skal du under alle omstændigheder montere et fejlstrømsrelæ mellem 100 – 240 V-vekselstrømnettet og køleboksen. Få råd hos en fagmand.

Køleboksene har en integreret multispændingsnetdel med prioritetskobling til tilslutning til en vekselspænding på 100 – 240 V. Ved hjælp af prioritetskoblingen skiftes automatisk til netdrift, når apparatet er tilsluttet til et 100 – 240 V-vekselstrømnet, også hvis 12/24 V-tilslutningskablet stadig er tilsluttet.

Ved skift mellem vekselstrømnet og batteriforsyning kan den røde lysdiode lyse nogle minutter.

- Sæt 100–240 V-tilslutningskablet (fig. **1** 3, side 3) i vekselspændingsstikket, og tilslut det til 100 – 240 V-vekselstrømnettet.

## 6.4 Anvendelse af batteriovervågningen

Apparatet er udstyret med en fleretrins batteriovervågning, der beskytter køretøjets batteri mod for kraftig afladning ved tilslutning til køretøjets 12/24 V-ledningsnet.

Hvis køleboksen anvendes i køretøjet, når tændingen er slået fra, frakobles boksen automatisk, når forsyningsspændingen kommer under en indstillelig værdi. Køleboksen tilkobles igen, når batteriet er opladet og gentilkoblingsspændingen nået.



### VIGTIGT! Fare for beskadigelse!

Batteriet har ikke mere sin fulde ladekapacitet, når det frakobles af batteriovervågningen. Undgå at starte flere gange og at anvende strømforbrugere uden længere opladningsfaser. Sørg for, at batteriet oplades igen.

I modusen „HIGH“ reagerer batteriovervågningen hurtigere end på trinnene „LOW“ og „MED“ (se følgende tabel).

Batteriovervågningsmodus	LOW	MED	HIGH
Frakoblingsspænding ved 12 V	10,1 V	11,4 V	11,8 V
Gentilkoblingsspænding ved 12 V	11,1 V	12,2 V	12,6 V
Frakoblingsspænding ved 24 V	21,5 V	24,1 V	24,6 V
Gentilkoblingsspænding ved 24 V	23,0 V	25,3 V	26,2 V

Gå frem på følgende måde for at skifte modusen til batteriovervågningen:

- ▶ Tænd for køleboksen.
  - ▶ Tryk tre gange på tasten „SET“ (fig. **3** 4, side 3).
  - ▶ Indstil modusen for batteriovervågningen med tasterne „UP +“ (fig. **3** 6, side 3) eller „DOWN –“ (fig. **3** 7, side 3).
- ✓ Displayet viser den indstillede modus i et par sekunder. Displayet blinker et par gange, før det skifter tilbage til visning af den aktuelle temperatur.



### BEMÆRK

Hvis køleboksen forsynes fra startbatteriet, skal batteriovervågningsmodusen „HIGH“ vælges. Hvis køleboksen er tilsluttet til et forsyningsbatteri, er batteriovervågningsmodusen „LOW“ tilstrækkelig. Hvis køleboksen skal tilsluttes til vekselstrømnettet, skal batteriovervågningen stilles på positionen „LOW“.

## 6.5 Anvendelse af køleboksen



### VIGTIGT! Fare for overophedning!

Sørg altid for, at varme, der opstår under driften, kan føres tilstrækkeligt bort. Ventilationsåbningerne må ikke tildækkes. Sørg for, at apparatet har tilstrækkelig afstand til vægge og genstande, så luften kan cirkulere.

- ▶ Stil køleboksen på et fast underlag.  
Sørg for, at ventilationsåbningerne ikke er tildækkede, og den opvarmede luft kan slippe bort.



### BEMÆRK

Opstil køleboksen som vist (se fig.). Hvis boksen anvendes i en anden position, kan apparatet tage skade.

- ▶ Tilslut køleboksen, se kapitlet „Tilslutning af køleboksen“ på side 137.



### BEMÆRK

Hvis køleboksen skal tilsluttes til vekselstrømnettet, skal batteriovervågningen stilles på positionen „LOW“.



### VIGTIGT! Fare på grund af for lav temperatur!

Sørg for, at der kun er genstande eller varer i køleboksen, der må afkøles til den valgte temperatur.

- ▶ Tryk på tasten „ON/OFF“ (fig. **3** 1, side 3) i et til to sekunder.
- ✓ Lysdioden „POWER“ lyser.
- ✓ Displayet (fig. **3** 5, side 3) tændes og viser den aktuelle køletemperatur.

**BEMÆRK**

Den viste temperatur er baseret på midten af det indvendige rum. Temperaturen andre steder kan afvige fra denne.

- ✓ Køleboksen starter med at køle det indvendige rum.

**BEMÆRK**

Ved tilslutning til et batteri frakobles displayet automatisk, hvis batterispændingen er lav. Lysdioden „POWER“ blinker orange.

### Låsning af køleboksen (CF35, CF40)

- ▶ Luk låget.
- ▶ Tryk låsen (fig. **2** 1, side 3) ned, indtil det kan høres, at den går i indgreb.

## 6.6 Indstilling af temperaturen

- ▶ Tryk en gang på tasten „SET“ (fig. **3** 4, side 3).
- ▶ Indstil køletemperaturen med tasterne „UP +“ (fig. **3** 6, side 3) eller „DOWN–“ (fig. **3** 7, side 3).
- ✓ Displayet viser i et par sekunder den indstillede ønskede køletemperatur. Displayet blinker et par gange, før det skifter tilbage til visning af den aktuelle temperatur.

## 6.7 Frakobling af køleboksen

- ▶ Tøm køleboksen.
- ▶ Slå køleboksen fra.
- ▶ Træk tilslutningskablet ud.

Hvis du ikke vil anvende køleboksen i længere tid:

- ▶ Lad låget stå lidt åbent. På den måde forhindrer du, at der opstår lugtgener.

## 6.8 Afrimning af køleboksen

Luftfugtighed kan sætte sig som rim på fordampere eller i køleboksens indvendige rum og derved reducere kølekapaciteten. Afrim apparatet rettidigt.



### **VIGTIGT! Fare for skader på apparatet!**

Anvend aldrig hårdt eller spidst værktøj til at fjerne islag eller til at løsne fastfrosne genstande.

Gå frem på følgende måde for at afrime køleboksen:

- Tag indholdet ud.
- Opbevar det evt. i et andet køleapparat, så det forbliver koldt.
- Sluk for apparatet.
- Lad låget stå åbent.
- Tør vandet op.

## 6.9 Udskiftning af apparatsikringen



### **FARE! Livsfare på grund af elektrisk stød!**

Træk tilslutningskablerne ud, før apparatsikringen udskiftes.

- Træk tilslutningskablerne ud.
- Vip sikringsindsatsen (fig. 4 2, side 4) ud med f.eks. en skruetrækker.
- Udskift den defekte sikring med en ny sikring med den samme værdi (T4AL 250V).
- Tryk sikringsindsatsen ind i kabinettet igen.

## 6.10 Udskiftning af stiksikringen (12/24 V)

- Træk udligningsmuffen (fig. 7 4, side 5) af stikket.
- Skru skruen (fig. 7 5, side 5) ud af den øverste halvdel af huset (fig. 7 1, side 5).
- Løft forsigtigt den øverste halvdel af huset af den nederste (fig. 7 6, side 5).
- Tag stikbenet (fig. 7 3, side 5) ud.
- Udskift den defekte sikring (fig. 7 2, side 5) med en ny sikring med den samme værdi (8 A, 32 V).

- Sæt stikket sammen igen i omvendt rækkefølge.

**BEMÆRK – Intern jævnstrømssikring**

Der er en ekstra jævnstrømssikring i apparatet (standardfladstiksikring til biler, 10 A). Sikringen kan kun udskiftes af et tilladt reparationscenter.

## 6.11 Udskiftning af lyselementet

- Tryk koblingsstiften (fig. **8** 2, side 5) ned, så den transparente del (fig. **8** 1, side 5) af lampen kan tages af forfra.
- Udskift lyselementet.

**BEMÆRK**

Lysdioderne i lyselementet skal være indstillet i forhold til den transparente del af lampen.

- Sæt den transparente del af lampen i kabinettet igen.

## 7 Rengøring og vedligeholdelse

**ADVARSEL!**

Afbryd før rengøring og vedligeholdelse apparatet fra nettet.

**VIGTIGT! Fare for beskadigelse!**

- Rengør aldrig køleapparatet under rindende vand eller i opvaskevand.
- Anvend ikke skrabe rengøringsmidler eller hårde genstande ved rengøringen, da de kan beskadige køleapparatet.

- Rengør af og til apparatet indvendigt og udvendigt med en fugtig klud.
- Sørg for, at apparatets ventilations- og udluftningsåbninger er fri for støv og urenheder, så varmen, der opstår under driften, kan ledes bort, og apparatet ikke tager skade.

## 8 Garanti

Den lovbestemte garantiperiode gælder. Hvis produktet er defekt, skal du kontakte producentens afdeling i dit land (adresser, se vejledningens bagside) eller din forhandler.

Ved reparation eller krav om garanti skal du medsende følgende bilag:

- En kopi af regningen med købsdato
- En reklamationsgrund eller en fejlbeskrivelse

## 9 Udbedring af fejl

Fejl	Mulig årsag	Løsningsforslag
Apparatet fungerer ikke, lysdioden lyser ikke.	På 12/24 Volt-stikdåsen (cigarettænder) i køretøjet er der ingen spænding.	I de fleste køretøjer skal tændingen være slået til, for at cigarettænderen har spænding.
	Vekselspændingsstikdåsen har ikke spænding.	Forsøg med en anden stikdåse.
	Apparatsikringen er defekt.	Udskift apparatsikringen, se kapitlet „Udskiftning af apparatsikringen“ på side 141.
	Den integrerede netdel er defekt.	Reparationen kan kun foretages af en tilladt kundeservice.
Apparatet kører ikke (stikket er sat i, lysdioden „POWER“ lyser).	Kompressor defekt.	Reparationen kan kun foretages af en tilladt kundeservice.
Apparatet kører ikke (stikket er sat i, lysdioden „POWER“ blinker orange, display er slukket).	Batterispændingen ikke tilstrækkelig.	Kontrollér batteriet, og oplad det i givet fald.

Fejl	Mulig årsag	Løsningsforslag
Ved tilslutning til jævnstrømsstikket: Tændingen er slået til, apparatet fungerer ikke, og lysdioden lyser ikke.	Jævnstrømsstikket er snavset. Konsekvensen er en dårlig elektrisk forbindelse.	Hvis stikket bliver meget varmt i jævnstrømsstikket, skal jævnstrømsstikket enten rengøres, eller stikket er muligvis ikke samlet rigtigt.
	Jævnstrømsstikkets sikring er brændt over.	Udskift sikringen i jævnstrømsstikket, se kapitlet „Udskiftning af stiksikringen (12/24 V)“ på side 141.
	Jævnstrømssikringen i apparatet er brændt over.	Reparationen kan kun foretages af et tilladt reparationscenter.
	Køretøjets sikring er brændt over.	Udskift sikringen til køretøjets jævnstrømsstik. Se dit køretøjets betjeningsvejledning.
Displayet viser en fejlmelding (f.eks. „Err1“), og apparatet køler ikke.	En intern driftsfejl har frakoblet apparatet.	Reparationen kan kun foretages af en tilladt kundeservice.

## 10 Bortskaffelse

- Bortskaf så vidt muligt emballagen sammen med det tilsvarende genbrugsaffald.



Hvis du tager produktet endegyldigt ud af drift, skal du kontakte det nærmeste recyclingcenter eller din faghandel for at få de pågældende forskrifter om bortskaffelse.



# 11 Tekniske data

	<b>CF35</b>	<b>CF40</b>
Tilslutningsspænding:	12/24 V $\equiv$ og 100 – 240 V $\sim$	
Mærkestrøm:		
– 12 V $\equiv$ :	6,0 A	6,0 A
– 24 V $\equiv$ :	3,0 A	3,0 A
– 100 – 240 V $\sim$ :	1,3 til 0,7 A	1,3 til 0,7 A
Kølekapacitet:	+10 °C til –18 °C (+50 °F tot 0 °F)	
Kategori:	1	1
Energieffektivitetsklasse:	A+	A+
Energiforbrug:	92 kWh/år	101 kWh/år
Nettoindhold:	31 l	37 l
Klimaklasse:	N, ST, T	N, ST, T
Udenomstemperatur:	+16 °C – +43 °C	+16 °C – +43 °C
Lydemissioner:	45 dB(A)	45 dB(A)
Kølemiddelmængde:	38 g	41 g
CO <sub>2</sub> -ækvivalent:	0,054 t	0,059 t
Drivhuspotentiale (GWP):	1430	
Mål (B x H x D) i mm:	580 x 385 x 360	580 x 445 x 360
Vægt:	15 kg	16 kg

	<b>CF50</b>
Tilslutningsspænding:	12/24 V $\equiv$ og 100 – 240 V $\sim$
Mærkestrøm:	
– 12 V $\equiv$ :	7,0 A
– 24 V $\equiv$ :	3,0 A
– 100 – 240 V $\sim$ :	1,3 til 0,7 A
Kølekapacitet:	+10 °C til –18 °C (+50 °F tot 0 °F)
Kategori:	1
Energieffektivitetsklasse:	A+
Energiforbrug:	110 kWh/år
Nettoindhold:	47 l
Klimaklasse:	N, ST, T
Udenomstemperatur:	+16 °C – +43 °C
Lydemissioner:	45 dB(A)
Kølemiddelmængde:	41 g
CO <sub>2</sub> -ækvivalent:	0,059 t
Drivhuspotentiale (GWP):	1430
Mål (B x H x D) i mm:	630 x 480 x 360
Vægt:	18 kg

**BEMÆRK**

Ved udenomstemperaturer på over +32 °C (+90 °F) kan minimum-temperaturen ikke længere nås.

Godkendelse/certifikater:



Kølekredsen indeholder R134a.

Indeholder fluorerede drivhusgasser

Hermetisk lukkede anlæg eller hermetisk lukket udstyr

**Läs igenom anvisningen noga innan kylan används. Spara den för senare bruk. Om kylan byter ägare ska anvisningen följa med.**

Tillverkaren ansvarar inte för skador som uppstår p.g.a. **icke ändamålsenlig användning** eller **felaktig hantering/skötsel**.

## Innehållsförteckning

<b>1</b>	<b>Förklaring till symboler</b> .....	148
<b>2</b>	<b>Säkerhetsanvisningar</b> .....	148
2.1	Allmän säkerhet .....	148
2.2	Säkerhet under drift .....	150
<b>3</b>	<b>Leveransomfattning</b> .....	150
<b>4</b>	<b>Ändamålsenlig användning</b> .....	151
<b>5</b>	<b>Funktionsbeskrivning</b> .....	151
5.1	Funktioner .....	151
5.2	Reglage, display och lysdioder .....	152
<b>6</b>	<b>Användning</b> .....	153
6.1	Före den första användningen .....	153
6.2	Tips för energibesparing .....	154
6.3	Ansluta kylboxen .....	154
6.4	Använda batterivakten .....	155
6.5	Använda kylboxen .....	156
6.6	Ställa in temperaturen .....	157
6.7	Stänga av kylboxen .....	157
6.8	Avfrosta kylboxen .....	157
6.9	Byta säkring till apparaten .....	158
6.10	Byta säkring till stickkontakten (12/24 V) .....	158
6.11	Byta ljuskälla .....	159
<b>7</b>	<b>Rengöring och skötsel</b> .....	159
<b>8</b>	<b>Garanti</b> .....	159
<b>9</b>	<b>Felsökning</b> .....	160
<b>10</b>	<b>Avfallshantering</b> .....	161
<b>11</b>	<b>Tekniska data</b> .....	161

# 1 Förklaring till symboler

**FARA!**

**Observera:** Beaktas anvisningen ej leder det till dödsfara eller svåra skador.

**WARNING!**

**Observera:** Beaktas anvisningen ej kan det leda till dödsfara eller svåra skador.

**AKTA!**

**Observera:** Beaktas anvisningen ej kan det leda till kroppsskador.

**OBSERVERA!**

Om anvisningarna inte beaktas kan det leda till materialskador och produktens funktion kan påverkas negativt.

**ANVISNING**

Kompletterande information om användning av produkten.

## 2 Säkerhetsanvisningar

### 2.1 Allmän säkerhet

**WARNING!**

- Om apparaten uppvisar synliga skador får den ej tas i drift.
- Om apparatens anslutningskabel skadas måste den, av säkerhetsskäl, bytas ut av tillverkaren, tillverkarens kundtjänst eller annan behörig person.
- Reparationer på apparaten får endast utföras av behörigt fackfolk. Icke fackmässiga reparationer kan leda till att allvariga faror uppstår.
- Denna apparat kan användas av barn från 8 år samt personer med fysiska, sensoriska eller mentala funktionshinder eller oerfarenhet och/eller ovetande under uppsikt av en ansvarig person eller om de har undervisats hur apparaten används på ett säkert sätt utan att faror uppstår.
- Rengöring och underhåll får inte genomföras av barn utan uppsikt.

- Barn får inte leka med apparaten.
- Barn bör hållas under uppsikt, så att de inte leker med apparaten.
- Förvara och använd apparaten utom räckhåll för barn under 8 år.
- Lagra inga ämnen som kan explodera i apparaten, som t.ex. sprayburkar med brännbar drivgas.

**AKTA!**

- Koppla alltid bort apparaten från elnätet
  - före rengöring och underhåll
  - efter användning
- Livsmedel får endast förvaras i originalförpackningarna eller i andra lämpliga behållare.

**OBSERVERA!**

- Jämför spänningsangivelsen på typskylten med elförsörjningen på plats.
- Anslut apparaten endast på följande vis:
  - till ett DC-uttag i fordonet med DC-anslutningskabel
  - eller till ett växelströmouttag med den medföljande AC-anslutningskabeln
- Dra aldrig ut stickkontakten ur uttaget genom att dra i anslutningskabeln.
- När kylapparaten är ansluten till ett DC-uttag: Koppla bort kylapparaten och andra elförbrukare från batteriet innan en batteriladdare ansluts.
- När kylapparaten är ansluten till ett DC-uttag: Skilj apparaten från elnätet eller stäng av den när motorn stängs av. Annars kan batteriet urladdas.
- Kylapparaten är inte ämnad för transport av frätande ämnen och ämnen som innehåller lösningsmedel.
- Kylapparaten isolering innehåller brännbart cyklopentan. Gaserna i isoleringsmaterialet gör att materialet kräver särskild hantering. Lämna in kylboxen till en lämplig återvinningscentral när den inte ska användas längre.

## 2.2 Säkerhet under drift



### AKTA!

- Kontrollera, innan apparaten tas i drift, att elkabeln och stickkontakten är torra.



### OBSERVERA!

- Använd inga elektriska apparater för arbeten inne i kylapparaten. Undantag: apparaterna rekommenderas för sådan användning av tillverkaren.
- Ställ inte kylapparaten i närheten av öppen eld eller andra värmekällor (värmeelement, starkt solljus, gasspisar osv.).
- **Risk för överhettning!**  
Se till att värmen som alstras under användningen kan avledas ordentligt. Apparaten måste ha tillräckligt stort avstånd till väggen/andra föremål, så att luften kan cirkulera fritt.
- Se till att ventilationsspringorna inte täcks över.
- Fyll inte innerfacket med vätskor eller is.
- Doppa aldrig ned apparaten i vatten.
- Skydda apparaten och kablarna mot hetta och fukt.

## 3 Leveransomfattning

Nr på bild  , sida 3	Mängd	Beteckning
1	1	kylbox
2	1	anslutningskabel för 12/24 V $\equiv$ -anslutning
3	1	anslutningskabel för 100 – 240 V $\sim$ -anslutning
4	2	bärhandtag, bestående av: <ul style="list-style-type: none"> <li>– 2 fästen</li> <li>– 1 handtag</li> <li>– 4 fästskruvar</li> </ul>
–	1	bruksanvisning

## 4 Ändamålsenlig användning

Kylboxen är avsedd för kylning och djupfrysning av livsmedel. Den kan även användas på båtar.

Kylboxen är dimensionerad för anslutning till 12 V $\text{---}$  eller 24 V $\text{---}$ -uttag i fordon (t.ex. cigarettuttag), båtar eller husbilar samt till 100 – 240 V $\sim$ -växelström.



### **AKTA! Hälsorisk!**

Kontrollera om apparatens kyleffekt motsvarar kravet för de livsmedel eller mediciner du vill hålla kalla.

## 5 Funktionsbeskrivning

Kylboxen både kyler och djupfrysar varor. Kylningsprocessen sker i en underhållsfri-kylkrets med kompressor. Den extrastarka isoleringen och den kraftiga kompressorn möjliggör mycket snabb kylning.

Kylboxen är lämpad för mobil användning.

Kylboxen tål konstant krängning på 30° (för användning på båtar).

### 5.1 Funktioner

- Nätadel med prioritetskoppling för anslutning till växelström
- Trestegs batterivakt för att skydda fordonetsbatteri
- Turbo-läge för snabb kylning
- Display med temperaturvisning, stängs automatiskt av vid låg batterispänning
- Temperaturinställning: med två knappar i 1 °C (2 °F)-steg
- Borttagbara bärhandtag

## 5.2 Reglage, display och lysdioder

### CF35, CF40

Lås till locket: bild **2** 1, sida 3

### CF35, CF40, CF50

Kontrollpanel (bild **3**, sida 3)

Pos.	Beteckning	Förklaring
1	ON OFF	Slår på och av kylboxen när knappen trycks ned 1 – 2 sekunder
2	POWER	Driftindikator (lysdiod)
		LED lyser grönt: kompressorn på
		LED lyser orange: kompressorn avstängd
		LED blinkar orange: Displayet har automatiskt stängts av pg. av låg batterispänning
3	ERROR	LED blinkar rött: apparaten påslagen, men inte klar för användning
4	SET	Väljer inställningsläge – temperaturinställning – °Celsius eller °Fahrenheit – ställa in batterivakten
5	–	Display, visar värdena
6	UP +	En tryckning höjer valt inställningsvärde
7	DOWN –	En tryckning sänker valt inställningsvärde

Uttag (bild **4**, sida 4):

Pos.	Beteckning
1	Uttag för växelström
2	Säkringshållare
3	Uttag för likström



## 6 Användning

### 6.1 Före den första användningen



#### ANVISNING

Innan kylboxen tas i drift ska den, av hygieniska skäl, torkas av in- och utvändigt med en fuktig trasa (se även kapitel "Rengöring och skötsel" på sidan 159).

#### Montera handtag

Handtagen är inte monterade. Montering av handtagen:

- Sätt ihop två fästen (bild **5** 1, sida 4) och ett handtag (bild **5** 2, sida 4) till ett bärhandtag.
- Sätt fast handtaget i härför avsedda borrhål med medföljande skruvar.

#### Ändra lockets gångjärn (CF50)

Det går att ändra lockets gångjärn så att locket öppnas åt andra hållet. Tillvägagångssätt:

- Öppna locket och dra ut det (bild **6** A, sida 5).
- Vänd locket.
- Sätt in locket på lockhållarna på den andra sidan av kylboxen (bild **6** B, sida 5).

#### Välja temperaturenhet

Temperaturvisningen kan ställas om mellan °Celsius och °Fahrenheit. Tillvägagångssätt:

- Slå på kylboxen.
- Tryck två gånger på knappen "SET" (bild **3** 4, sida 3).
- Ställ, med knapparna "UP +" (bild **3** 6, sida 3) resp. "DOWN –" (bild **3** 7, sida 3), in temperaturenheten °Celsius eller °Fahrenheit.
- ✓ På displayen visas den inställda temperaturenheten i några sekunder. Displayen blinkar några gånger innan aktuell temperatur visas igen.

## 6.2 Tips för energibesparing

- Välj en uppställningsplats med god ventilation som är skyddad mot direkt solljus.
- Låt varm mat svalna innan den läggs in i kylapparaten.
- Öppna inte kylapparaten oftare än nödvändigt.
- Låt inte kylskåpsdörren stå öppen längre än nödvändigt.
- Frost av kylboxen så snart det bildas is i den.
- Undvik en onödigt låg temperatur i kylan.

## 6.3 Ansluta kylboxen

### Anslutning till ett batteri (fordon eller båt)

Kylboxen kan anslutas till 12 V eller 24 V likspänning.



#### **OBSERVERA! Risk för skador på kylboxen!**

Koppla bort kylboxen och andra elförbrukare från batteriet innan en batteriladdare ansluts till batteriet. Överspänning kan skada elektroniken.

Kylboxen har ett elektroniskt skydd mot omvänd polaritet, som skyddar den mot kortslutning och omvänd polaritet vid batterianslutning.

- Anslut 12/24 V-anslutningskabeln (bild **1** 2, sida 3) till likströmsuttaget och till cigarettuttaget eller ett 12 V eller 24 V-uttag i fordonet.

### Anslutning till 100 – 240 V växelström (t.ex. i hemmet eller på kontoret)



#### **FARA! Risk för strömstötar – livsfara!**

- Tag inte i brytare eller kontakter med våta händer eller om du står på fuktigt underlag.
- Om kylboxen används på en båt och ansluts till 100 – 240 V-växelström på land måste en jordfelsbrytare installeras mellan 100 – 240 V-nätet och kylboxen.  
Kontakta en behörig elektriker.

Kylboxarna har en inbyggd multispänningsnät del med prioritetskoppling för anslutning till 100 – 240 V växelström. Prioritetskopplingen växlar automatiskt till nät drift när apparaten ansluts till 100 – 240 V-växelström; detta sker även om 12/24 V-anslutningskabeln är ansluten.

Vid omkoppling mellan växelström och batteri kan det hända att den röda lysdioden lyser ett par minuter.

- Anslut 100–240 V-anslutningskabeln (bild **1** 3, sida 3) till växelströmuttaget och till 100 – 240 V-växelström.

## 6.4 Använda batterivakten

Kylboxen har en flerstegs batterivakt som skyddar fordonets batteri mot urladdning när kylboxen ansluts till 12/24 V-uttaget i fordonet.

När kylboxen används utan påslagen tändning i fordonet, stängs den av automatiskt om försörjningsspänningen sjunker under ett inställbart värde. Kylboxen startar så fort batteriet har laddats upp och återkopplingsspänningen nås.



### **OBSERVERA! Risk för skador!**

När batterivakten stänger av kylboxen har batteriet inte längre full laddningskapacitet; starta då inte fordonet onödigt ofta och använd inga andra strömförbrukare utan längre laddningsperioder. Se till att batteriet laddas igen.

I läget "HIGH" reagerar batterivakten tidigare än i läget "LOW" eller "MED" (se efterföljande tabell).

Batterivaktens läge	LOW	MED	HIGH
Frånkopplingsspänning vid 12 V	10,1 V	11,4 V	11,8 V
Återkopplingsspänning vid 12 V	11,1 V	12,2 V	12,6 V
Frånkopplingsspänning vid 24 V	21,5 V	24,1 V	24,6 V
Återkopplingsspänning vid 24 V	23,0 V	25,3 V	26,2 V

Gör på följande sätt för att ändra batterivaktens inställning:

- Slå på kylboxen.
- Tryck tre gånger på knappen "SET" (bild **3** 4, sida 3).
- Ställ, med knapparna "UP +" (bild **3** 6, sida 3) resp. "DOWN –" (bild **3** 7, sida 3), in läget för batterivakten.
- ✓ På displayen visas det inställda läget i några sekunder. Displayen blinkar några gånger innan aktuell temperatur visas igen.

**ANVISNING**

Välj läget "HIGH" för batterivakten om kylboxen försörjs av startbatteriet. Om kylboxen ansluts till ett förbrukarbatteri räcker läget "LOW" för batterivakten.

Om kylboxen ansluts till växelström ska batterivakten ställas in på läget "LOW".

## 6.5 Använda kylboxen

**OBSERVERA! Risk för överhettning!**

Se till att värmen som alstras under användningen kan avledas ordentligt. Se till att ventilationspringorna inte täcks över. Apparaten måste ha tillräckligt stort avstånd till väggen/andra föremål, så att luften kan cirkulera fritt.

- ▶ Ställ kylboxen på ett fast underlag.  
Se till att ventilationspringorna inte täcks över och att den varma luften kan avledas utan hinder.

**ANVISNING**

Ställ kylboxen som visas (se bild). Om kylboxen placeras annorlunda så kan kylboxen ta skada.

- ▶ Anslut kylboxen, se kapitel "Ansluta kylboxen" på sidan 154.

**ANVISNING**

Om kylboxen ansluts till växelström ska batterivakten ställas in på läget "LOW".

**OBSERVERA! Varor kan skadas av för låg temperatur!**

Se till att det endast finns föremål resp. varor i kylboxen som får kylas till den inställda temperaturen.

- ▶ Tryck på knappen "ON/OFF" (bild **3** 1, sida 3) 1 – 2 sekunder.
- ✓ Lysdioden "POWER" lyser.
- ✓ Displayen (bild **3** 5, sida 3) slås på och den aktuella kyltemperaturen visas.

**ANVISNING**

Temperaturvärdet gäller för innerfackets mitt. Temperaturen kan avvika från detta värde på andra ställen.

- ✓ Kylboxen startar och kyler kylfacket.

**ANVISNING**

Vid batteridrift stängs displayet automatiskt av vid låg batterispänning. LED "POWER" blinkar orange.

**Låsa kylboxen (CF35, CF40)**

- Stäng locket.
- Tryck låset (bild **2** 1, sida 3) nedåt tills det hörs att det hakar fast.

**6.6 Ställa in temperaturen**

- Tryck en gång på knappen "SET" (bild **3** 4, sida 3).
- Ställ, med knapparna "UP +" (bild **3** 6, sida 3) resp. "DOWN –" (bild **3** 7, sida 3), in kyltemperaturen.
- ✓ På displayen visas nu den inställda temperaturen några sekunder. Displayen blinkar några gånger innan aktuell temperatur visas igen.

**6.7 Stänga av kylboxen**

- Töm kylboxen.
- Stäng av kylboxen.
- Dra ut anslutningskabeln.

Om kylboxen inte ska användas under en längre tid:

- Låt locket vara lite öppet. På så sätt förhindrar man att det bildas störande lukt.

**6.8 Avfrosta kylboxen**

Luftfuktigheten kan avsätta sig som frost på förångaren och i kylboxen, om så sker minskar kylförmågan. Frosta då av kylboxen så snart som möjligt.

**OBSERVERA! Risk för skador på kylboxen!**

Avlägsna aldrig isbeläggningar eller fastfrysna föremål med hårda eller vassa/spetsiga verktyg.

Avfrosta:

- Tag ut varorna.

- Lagra dem vid behov i ett annat kylskåp, så att de förblir kalla.
- Stäng av kylboxen.
- Låt locket vara öppet.
- Torka upp vattnet.

## 6.9 Byta säkring till apparaten



### **FARA! Risk för strömstötar – livsfara!**

Dra ut anslutningskablarna innan säkringen byts.

- Dra ut anslutningskablarna.
- Ta loss säkringshållaren (bild **4** 2, sida 4), använd t.ex. en skruvmejsel.
- Byt ut den trasiga säkringen mot en ny säkring med samma värde (T4AL 250V).
- Tryck in säkringshållaren i höljet igen.

## 6.10 Byta säkring till stickkontakten (12/24 V)

- Drag bort utjämningsshylsan (bild **7** 4, sida 5) från kontakten.
- Skruva ut skruven (bild **7** 5, sida 5) ur den övre kontakthalvan (bild **7** 1, sida 5).
- Lossa försiktigt den övre kontakthalvan från den undre kontakthalvan (bild **7** 6, sida 5).
- Ta ut kontaktsiftet (bild **7** 3, sida 5).
- Byt ut den trasiga säkringen (bild **7** 2, sida 5) mot en ny säkring med samma värde (8 A, 32 V).
- Sätt ihop kontakten i omvänd ordningsföljd igen.



### **ANVISNING – Invändig säkring för likström**

Det finns en extra säkring för likström inuti apparaten (standard bladsäkring för bilar, 10 A). Säkringen får endast bytas på en auktoriserad reparationscentral.

## 6.11 Byta ljuskälla

- ▶ Tryck ned stiftet (bild **8** 2, sida 5) så att armaturens genomskinliga del (bild **8** 1, sida 5) kan tas av framåt.
- ▶ Byt ut ljuskällan.



### ANVISNING

Ljuskällans lysdioder måste vara riktade mot armaturens genomskinliga del.

- ▶ Sätt in armaturens genomskinliga del i höljet igen.

## 7 Rengöring och skötsel



### VARNING!

Koppla alltid bort apparaten från elnätet före rengöring och skötsel.



### OBSERVERA! Risk för skador!

- Rengör aldrig kylapparaten under rinnande vatten eller i diskvatten.
- Använd inga skarpa rengöringsmedel eller hårda föremål vid rengöring, det kan skada kylapparaten.

- ▶ Rengör apparaten då och då in- och utvändigt med en fuktig trasa.
- ▶ Kontrollera att luftnings-/ventilationsöppningarna är rena från damm och annat smuts så att värmen i vid användning kan avledas ordentligt så att produkten inte skadas.

## 8 Garanti

Den lagstadgade garantitiden gäller. Om produkten är defekt: kontakta tillverkarens kontor i ditt land (adresser, se bruksanvisningens baksida) eller återförsäljaren.

Vid reparations- resp. garantiärenden ska följande skickas med:

- en kopia på fakturan med inköpsdatum,
- en reklambeskrivning/felbeskrivning.

## 9 Felsökning

Störning	Möjlig orsak	Lösning
Kylboxen fungerar inte, lysdioden lyser inte.	Det finns ingen spänning i fordonets 12/24 Volts uttag (cigaretttuttag).	På de flesta fordon finns det ingen spänning i cigaretttuttaget om tändningen inte har slagits på.
	Ingen spänning i växelströmuttaget.	Prova med ett annat uttag.
	Apparatens säkring defekt.	Byt säkring, se kapitel "Byta säkring till apparaten" på sidan 158.
	Den integrerade nätdelen är defekt.	Reparationer får endast utföras av auktoriserad kundservice.
Kylboxen kylar inte (kontakten är insatt, lysdioden "POWER" lyser).	Kompressorn defekt.	Reparationer får endast utföras av auktoriserad kundservice.
Kylboxen kylar inte (kontakten är insatt, lysdioden "POWER" blinkar orange, displayen är avstängd).	Batterispänningen är för låg.	Kontrollera batteriet, ladda det vid behov.
Vid drift från uttag för likström: Tändningen är påslagen men apparaten fungerar inte och lysdioden lyser inte.	Uttaget för likström är smutsigt. Det ger dålig elektrisk kontakt.	Om kylboxens stickkontakt blir mycket varm i uttaget för likström, måste antingen uttaget för likström rengöras eller så är stickkontakten möjligtvis inte korrekt ansluten.
	Likströmskontaktens säkring har gått.	Byt säkringen i likströmskontakten, se kapitel "Byta säkring till stickkontakten (12/24 V)" på sidan 158.
	Säkringen för likström inuti apparaten har gått.	Reparationer får endast utföras på en auktoriserad reparationscentral.
	Fordonets säkring har gått.	Byt säkringen för fordonets likströmuttag. Se fordonets bruksanvisning.
Det visas ett felmeddelande (t.ex. "Err1") på displayen och apparaten kylar inte.	Apparaten har stängts av p.g.a. en intern driftstörning.	Reparationer får endast utföras av auktoriserad kundservice.



## 10 Avfallshantering

- Lämna om möjligt förpackningsmaterialet till återvinning.



När produkten slutgiltigt tas ur bruk: informera dig om gällande bestämmelser hos närmaste återvinningscentral eller hos återförsäljaren.

## 11 Tekniska data

	CF35	CF40
Anslutningsspänning:	12/24 V $\equiv$ och 100 – 240 V $\sim$	
Märkström:		
– 12 V $\equiv$ :	6,0 A	6,0 A
– 24 V $\equiv$ :	3,0 A	3,0 A
– 100 – 240 V $\sim$ :	1,3 till 0,7 A	1,3 till 0,7 A
Kyleffekt:	+10 °C till –18 °C (+50 °F till 0 °F)	
Kategori:	1	1
Energieffektklass:	A+	A+
Energiförbrukning:	92 kWh/år	101 kWh/år
Nyttovolym:	31 l	37 l
Klimatklass:	N, ST, T	N, ST, T
Omgivningstemperatur:	+16 °C – +43 °C	+16 °C – +43 °C
Ljudemission:	45 dB(A)	45 dB(A)
Mängd kylvätska:	38 g	41 g
Motsvarande CO <sub>2</sub> :	0,054 t	0,059 t
Global uppvärmningspotential (GWP):	1430	
Mått (H x B x D) i mm:	580 x 385 x 360	580 x 445 x 360
Vikt:	15 kg	16 kg

	<b>CF50</b>
Anslutningsspänning:	12/24 V $\equiv$ och 100 – 240 V $\sim$
Märkström:	
– 12 V $\equiv$ :	7,0 A
– 24 V $\equiv$ :	3,0 A
– 100 – 240 V $\sim$ :	1,3 till 0,7 A
Kyleffekt:	+10 °C till –18 °C (+50 °F till 0 °F)
Kategori:	1
Energieffektklass:	A+
Energiförbrukning:	110 kWh/år
Nyttovolym:	47 l
Klimatklass:	N, ST, T
Omgivningstemperatur:	+16 °C – +43 °C
Ljudemission:	45 dB(A)
Mängd kylvätska:	41 g
Motsvarande CO <sub>2</sub> :	0,059 t
Global uppvärmningspotential (GWP):	1430
Mått (H x B x D) i mm:	630 x 480 x 360
Vikt:	18 kg

**ANVISNING**

Den lägsta temperaturen (min temperatur) nås inte om omgivningstemperaturen ligger över +32 °C (+90 °F).

Provning/certifikat:



Kylkretsen innehåller R134a.

Innehåller fluorerade växthusgaser

Hermetiskt sluten utrustning

**Les bruksanvisningen nøye før du tar apparatet i bruk og ta vare på den. Hvis kjøleapparatet selges videre, må du sørge for å gi bruksanvisningen videre også.**

Produsenten påtar seg intet ansvar for skader som skyldes **ikke tiltenkt bruk** eller **feil bruk**.

## Innhold

<b>1</b>	<b>Symbolforklaringer</b> .....	164
<b>2</b>	<b>Sikkerhetsregler</b> .....	164
2.1	Generell sikkerhet .....	164
2.2	Sikkerhet ved bruk av apparatet .....	166
<b>3</b>	<b>Leveringsomfang</b> .....	166
<b>4</b>	<b>Tiltenkt bruk</b> .....	167
<b>5</b>	<b>Funksjonsbeskrivelse</b> .....	167
5.1	Funksjonsomfang .....	167
5.2	Betjenings- og indikeringsselementer .....	167
<b>6</b>	<b>Betjening</b> .....	168
6.1	Før første gangs bruk .....	168
6.2	Tips for energisparing .....	169
6.3	Koble til kjøleboksen .....	170
6.4	Bruke batterivakten .....	170
6.5	Bruk av kjøleboksen .....	172
6.6	Stille inn temperaturen .....	173
6.7	Slå av kjøleboksen .....	173
6.8	Avriming av kjøleboksen .....	173
6.9	Skifte apparatsikring .....	174
6.10	Bytte sikring i støpslet (12/24 V) .....	174
6.11	Bytte lyslegeme .....	175
<b>7</b>	<b>Rengjøring og stell</b> .....	175
<b>8</b>	<b>Garanti</b> .....	175
<b>9</b>	<b>Feilretting</b> .....	176
<b>10</b>	<b>Deponering</b> .....	177
<b>11</b>	<b>Tekniske data</b> .....	177

# 1 Symbolforklaringer

**FARE!**

**Sikkerhetsregel:** Hvis man ikke overholder denne regelen, fører det til død eller alvorlig skade.

**ADVARSEL!**

**Sikkerhetsregel:** Hvis man ikke overholder denne regelen, kan det føre til død eller alvorlig skade.

**FORSIKTIG!**

**Sikkerhetsregel:** Hvis man ikke overholder denne regelen, kan det føre til personskader.

**PASS PÅ!**

Hvis man ikke overholder denne regelen, kan det føre til materielle skader og skade funksjonen til produktet.

**MERK**

Utfyllende informasjon om bruk av produktet.

## 2 Sikkerhetsregler

### 2.1 Generell sikkerhet

**ADVARSEL!**

- Apparatet må ikke tas i bruk hvis det har synlige skader.
- Hvis tilkoblingskabelen på dette apparatet blir skadet, må den erstattes av produsent, kundeservice eller annen kvalifisert person for å unngå farlige situasjoner.
- Reparasjoner på dette apparatet må kun utføres av fagfolk. Feil reparasjoner kan føre til betydelige skader.
- Dette apparatet kan brukes av barn fra 8 år og oppover, og av personer med nedsatte fysiske, sensoriske eller mentale evner eller manglende erfaring og/eller kunnskap, når de er under oppsikt eller har fått opplæring i sikker bruk av apparatet og hvilke farer som er forbundet med det.

- Rengjøring og vedlikehold må ikke utføres av barn uten at de er under oppsikt.
- Barn må ikke leke med apparatet.
- Barn skal være under tilsyn for å sikre at de ikke leker med apparatet.
- Oppbevar og bruk apparatet slik at det ikke er tilgjengelig for barn under 8 år.
- Ikke lagre eksplosjonsfarlige stoffer som f.eks. spraybokser med drivgass i apparatet.

**FORSIKTIG!**

- Koble apparatet fra strømmettet
  - før rengjøring og stell
  - hver gang etter bruk
- Næringsmidler må oppbevares i originalforpakning eller i egnede beholdere.

**PASS PÅ!**

- Sammenlign spenningsspesifikasjonene på merkeskiltet med tilgjengelig strømtilførsel.
- Koble til apparatet kun på følgende måte:
  - med DC-tilkoblingskabelen til et DC-stikkontakt i kjøretøyet
  - eller med AC-tilkoblingskabelen som følger med til vekselstrøm
- Trekk aldri støpslet ut av stikkkontakten etter ledningen.
- Hvis kjøleapparatet er plugget inn i DC-stikkkontakten: Koble dette kjøleapparatet og andre forbrukere fra batteriet før du kobler til hurtiglader.
- Hvis kjøleapparatet er plugget inn i DC-stikkkontakten: Koble fra forbindelsen eller slå av kjøleapparatet når du slår av motoren. Hvis ikke kan batteriet bli ladet ut.
- Kjøleapparatet er ikke egnet for transport av etsende eller løsemiddelholdige stoffer.
- Dette kjøleapparatet inneholder isoleringen brennbar cyclopentan. Gassene i isolasjonsmaterialet krever en spesiell bortskaffingsprosess. Etter endt levetid skal apparatet bortskaffes på forskriftsmessig måte.

## 2.2 Sikkerhet ved bruk av apparatet



### FORSIKTIG!

- Før du tar apparatet i bruk, må du passe på at ledningen og støpslet er tørre.



### PASS PÅ!

- Ikke bruk elektriske apparater inne i kjøleapparatet, hvis ikke disse apparatene er anbefalt brukt av produsenten.
- Ikke plasser apparatet i nærheten av åpen flamme eller andre varmekilder (oppvarming, sterk solbestråling, gassovner osv.).
- **Fare for overoppheting!**  
Påse at varme som oppstår under drift alltid blir ventilert bort på en tilfredsstillende måte. Påse derfor at apparatet står langt nok unna vegger eller gjenstander, slik at luften kan sirkulere.
- Pass på at lufteåpningene ikke blir blokkert.
- Fyll ikke væsker eller is i den innvendige beholderen.
- Dypp aldri apparatet i vann.
- Beskytt apparatet og kablen mot varme og fuktighet.

## 3 Leveringsomfang

Nr. i fig. 1, side 3	Antall	Betegnelse
1	1	Kjøleboks
2	1	Tilkoblingskabel for 12/24 V $\equiv$ -tilkobling
3	1	Tilkoblingskabel for 100 – 240 V $\sim$ -tilkobling
4	2	Bærehåndtak, som består av: <ul style="list-style-type: none"> <li>– 2 holdere</li> <li>– 1 gripestykke</li> <li>– 4 festeskruer</li> </ul>
–	1	Bruksanvisning

## 4 Tiltenkt bruk

Kjøleboksen er beregnet på å kjøle ned og dypfryse næringsmidler. Apparatet er også egnet til bruk på båter.

Apparatet er beregnet for bruk på 12 V $\overline{\text{---}}$  eller 24 V $\overline{\text{---}}$ -strømforsyningsstikkontakt i kjøretøy (f. eks. sigarattenner), båter eller bobil, samt på 100 – 240 V $\sim$ -vekselstrømnett.



### **FORSIKTIG! Helsefare!**

Kontroller om apparatets kjøleeffekt oppfyller kravene til næringsmidlene eller medikamentene som du ønsker å kjøle.

## 5 Funksjonsbeskrivelse

Kjøleboksen kan avkjøle varer og holde dem kalde, samt dypfryse varer. Kjølingen skjer ved hjelp av et vedlikeholdsfritt kjølekretsløp med kompressor. Den ekstra sterke isolasjonen og den kraftige kompressoren garanterer spesielt hurtig kjøling.

Kjøleboksen er egnet for mobil bruk.

Ved bruk på båter tåler kjøleboksen en kregning på 30°.

### 5.1 Funksjonsomfang

- Nettdel med prioritetskobling for tilkobling til vekselspanning
- Tretrinns batterivakt for å beskytte kjøretøybatteriet
- Turbomodus for raskere kjøling
- Display med temperaturindikering, kobles ut automatisk ved lav batterispenning
- Temperaturinnstilling: Med to taster i 1 °C (2 °F)-trinn
- Monterbare bærehåndtak

### 5.2 Betjenings- og indikeringselementer

#### **CF35, CF40**

Låsing av deksel: fig. **2** 1, side 3

#### **CF35, CF40, CF50**

Betjeningspanel (fig. **3**, side 3)

Pos.	Betegnelse	Forklaring
1	ON OFF	Slår kjøleboksen av eller på når knappen trykkes inn ett til to sekunder
2	POWER	Varsellampe
		Lysdioden lyser grønt: Kompressor er på
		Lysdioden lyser oransje: Kompressor er av
		Lysdioden blinker oransje: Display ble koblet ut automatisk pga. lav batterispenning
3	ERROR	Lysdioden blinker rødt: Det påslåtte apparatet er ikke driftsklart
4	SET	Velger innleggingsmodus – Temperaturinnstilling – Visning av Celsius eller Fahrenheit – Stille inn batterivakten
5	–	Display, viser verdier
6	UP +	Trykk én gang for å øke valgt verdi som skal legges inn
7	DOWN –	Trykk én gang for å redusere valgt verdi som skal legges inn

Tilkoblingskontakter (fig. **4**, side 4):

Pos.	Betegnelse
1	Tilkoblingskontakt vekselspenningsforsyning
2	Sikringsholder
3	Tilkoblingskontakt likespenningsforsyning

## 6 Betjening

### 6.1 Før første gangs bruk



#### MERK

Før den nye kjøleboksen tas i bruk, skal man av hygieniske årsaker rengjøre den innvendig og utenpå med en fuktig klut (se også kapittel «Rengjøring og stell» på side 175).



## Montere håndtaket

Håndtakene er vedlagt løse. Hvis du ønsker å montere håndtakene, går du fram på følgende måte:

- Stikk to holdere (fig. **5** 1, side 4) og ett gripestykke (fig. **5** 2, side 4) sammen til ett håndtak.
- Fest håndtaket med de vedlagte skruene i boringene.

## Dreie om lokkanslag (CF50)

Du kan dreie om lokkanslaget hvis du ønsker å åpne lokket på andre siden. Gå fram på følgende måte:

- Ta av dekselet og trekk det ut (fig. **6** A, side 5).
- Vri dekslet.
- Sett dekselet i sporet på motsatt side i kjøleboksen (fig. **6** B, side 5).

## Velge temperaturenhet

Du kan velge å vise temperaturen enten i Celsius eller Fahrenheit. Gå fram på følgende måte:

- Slå på kjøleboksen.
  - Trykk på knappen «SET» (fig. **3** 4, side 3) to ganger.
  - Velg temperaturenhet Celsius eller Fahrenheit med tastene «UP +» (fig. **3** 6, side 3) hhv. «DOWN -» (fig. **3** 7, side 3).
- ✓ Displayet viser innstilt temperaturenhet i noen sekunder. Displayet blinker noen ganger, før det går tilbake til visning av aktuell temperatur.

## 6.2 Tips for energisparing

- Velg et montasjested som har god ventilasjon og er beskyttet mot solstråling.
- Avkjøl varm mat før du plasserer den i apparatet for avkjøling.
- Ikke åpne kjøleapparatet lenger enn nødvendig.
- Ikke la kjøleskapet stå lenger åpent enn nødvendig.
- Avrim kjøleboksen hvis det har dannet seg is på den.
- Unngå unødvendig høy innetemperatur.

## 6.3 Koble til kjøleboksen

### Tilkobling til batteri (Kjøretøy eller båt)

Kjøleboksen kan drives med 12 V eller 24 V likespenning.



#### **PASS PÅ! Fare på grunn av skader på apparatet!**

Koble kjøleboksen og andre forbrukere fra batteriet før du lader opp batteriet med hurtiglader.

Overspenninger kan skade apparatets elektronikk.

For sikkerhets skyld er kjøleboksen utstyrt med en elektronisk polbeskyttelse som beskytter den mot feil polaritet ved batteritilkobling og mot kortslutning.

- ▶ Plugg 12/24 V tilkoblingskabelen (fig. **1** 2, side 3) inn i likespenningskontakten og koble den til sigaretteneren eller en 12 V eller 24 V stikkontakt.

### Tilkobling til 100 – 240 V vekselstrømnett (f.eks. hjemme eller på kontoret)



#### **FARE! Livsfare på grunn av strømstøt!**

- Ta aldri i støpsler og brytere med våte hender eller hvis det er vått der du står.
- Hvis du bruker kjøleboksen om bord på en båt via landtilkobling på 100 – 240 V vekselstrømnett, må du koble en FI-vernebryter mellom 100 – 240 V vekselstrømnettet og kjøleboksen. Spør fagfolk.

Kjøleboksene har en integrert multispenningsnettdel med prioritetskobling for tilkobling til en vekselspanning på 100 – 240 V. Via prioritetskoblingen blir det automatisk koblet om til nettdrift når apparatet er tilkoblet et 100 – 240 V vekselstrømnett, også når 12/24 V tilkoblingskabelen fortsatt er tilkoblet.

Ved omkobling mellom vekselstrømnett og batteriforsyning kan den røde lysdioden lyse i noen minutter.

- ▶ Plugg 100–240 V tilkoblingskabelen (fig. **1** 3, side 3) inn i vekselspenningskontakten og koble den til 100 – 240 V vekselstrømnettet.

## 6.4 Bruke batterivakten

Apparatet er utstyrt med en flertrinns batterivakt som beskytter bilbatteriet mot for dyp utlading ved tilkobling til 12/24 V strømforsyning.

Hvis kjøleboksen brukes i kjøretøyet når tenningen er avslått, kobler boksen seg ut automatisk når tilførselsspenningen faller under en innstillbar verdi. Kjøleboksen slår seg på automatisk igjen straks gjeninnkoblingsspenningen nås ved at batteriet lades opp.



### **PASS PÅ! Fare for skade!**

Når batteriet slås av via batterivakten, har det ikke lenger full ladekapasitet, unngå å starte flere ganger eller å bruke strømforbrukere uten lengre oppladninger. Sørg for å lade opp batteriet igjen.

I modus «HIGH» reagerer batterivakten raskere enn i trinnene «LOW» og «MED» (se følgende tabell).

Batterivakt-modus	LOW	MED	HIGH
<b>Utkoblingsspenning ved 12 V</b>	10,1 V	11,4 V	11,8 V
<b>Gjeninnkoblingsspenning ved 12 V</b>	11,1 V	12,2 V	12,6 V
<b>Utkoblingsspenning ved 24 V</b>	21,5 V	24,1 V	24,6 V
<b>Gjeninnkoblingsspenning ved 24 V</b>	23,0 V	25,3 V	26,2 V

Gå fram på følgende måte for å endre modus til batterivakten:

- Slå på kjøleboksen.
- Trykk på knappen «SET» (fig. 3 4, side 3) tre ganger.
- Velg modus for batterivakten med tastene «UP +» (fig. 3 6, side 3) hhv. «DOWN -» (fig. 3 7, side 3).
- ✓ Displayet viser innstilt modus i noen sekunder. Displayet blinker noen ganger, før det går tilbake til visning av aktuell temperatur.



### **MERK**

Når kjøleboksen forsynes fra starterbatteriet, velger du batterivakt-modus «HIGH». Når kjøleboksen er tilkoblet et forsyningsbatteri, er batterivakt-modus «LOW» tilstrekkelig.

Når du ønsker å drive kjøleboksen på vekselstrømnettet, må du stille batterivakten i stilling «LOW».

## 6.5 Bruk av kjøleboksen



### **PASS PÅ! Fare for overoppheting!**

Påse at varme som oppstår under drift alltid blir ventilert bort på en tilfredsstillende måte. Pass på at lufteåpningene ikke blir blokkert. Påse derfor at apparatet står langt nok unna vegger eller gjenstander, slik at luften kan sirkulere.

- ▶ Sett kjøleboksen på et fast underlag.  
Påse at lufteåpningene ikke er tildekket og at den oppvarmede luften kan ledes bort skikkelig.



### **MERK**

Plasser kjøleboksen som vist (se fig.). Hvis apparatet brukes i en annen posisjon, kan det bli ødelagt.

- ▶ Koble til kjøleboksen (se kapittel «Koble til kjøleboksen» på side 170).



### **MERK**

Når du ønsker å drive kjøleboksen på vekselstrømnettet, må du stille batterivakten i stilling «LOW».



### **PASS PÅ! Fare på grunn av for lav temperatur!**

Pass på at kun gjenstander hhv. varer som befinner seg i kjøleboksen og som tåler nedkjøling blir nedkjølt til innstilt temperatur.

- ▶ Trykk på tasten «ON/OFF» (fig. **3** 1, side 3) i ett til to sekunder.
- ✓ Lysdioden «POWER» lyser.
- ✓ Displayet (fig. **3** 5, side 3) slår seg på og indikerer den aktuelle kjøle-temperaturen.



### **MERK**

Den indikerte temperaturen er målt i midten i det innvendige rommet. Temperaturen på andre steder kan avvike fra denne.

- ✓ Kjøleboksen begynner å kjøle ned kjølerommet.



### **MERK**

Ved drift på batteri kobles displayet ut automatisk ved lav batterispenning. Lysdioden «POWER» blinker oransje.

## Låse kjøleboksen (CF35, CF40)

- Lukk dekslet.
- Trykk ned låsen (fig. **2** 1, side 3) til du hører at den går i lås.

## 6.6 Stille inn temperaturen

- Trykk på tasten «SET» (fig. **3** 4, side 3) én gang.
  - Still inn kjøletemperaturen med tastene «UP +» (fig. **3** 6, side 3) hhv. «DOWN -» (fig. **3** 7, side 3).
- ✓ Displayet viser i noen sekunder innstilt ønsket kjøletemperatur. Displayet blinker noen ganger, før det går tilbake til visning av aktuell temperatur.

## 6.7 Slå av kjøleboksen

- Tøm kjøleboksen.
- Slå av kjøleboksen.
- Trekk ut tilkoblingskabelen.

Når kjøleboksen ikke skal brukes på lang tid:

- La lokket stå litt åpent. På den måten forhindrer man at det danner seg lukt.

## 6.8 Avriming av kjøleboksen

Luftfuktigheten felles ut på fordampere eller inne i kjøleboksen som rim, noe som reduserer kjøleeffekten. Avrim apparatet til riktig tid.



### **PASS PÅ! Fare på grunn av skader på apparatet!**

Bruk aldri harde eller spisse redskaper for å fjerne islag eller for å løsne fastfrosne gjenstander.

Gå fram på følgende måte for å avrime kjøleboksen:

- Ta ut matvarene.
- Oppbevar dem evt. i et annet kjøleapparat, slik at de holder seg kalde.
- Slå av apparatet.

- La lokket stå åpent.
- Tørk opp avtinningsvannet.

## 6.9 Skifte apparatsikring



### **FARE! Livsfare på grunn av strømstøt!**

Trekk ut tilkoblingskabelen før du bytter apparatsikring.

- Trekk ut tilkoblingskabelen.
- Hev sikringsinnsatsen (fig. **4** 2, side 4) ut med f.eks. en skrutrekker.
- Bytt den defekte sikringen i en ny sikring med samme størrelse (T4AL 250V).
- Trykk sikringsinnsatsen inn i kapslingen igjen.

## 6.10 Bytte sikring i støpslet (12/24 V)

- Trekk adapterhylsen (fig. **7** 4, side 5) av støpslet.
- Skru skruen (fig. **7** 5, side 5) ut av den øvre kapslingshalvdelen (fig. **7** 1, side 5).
- Løft forsiktig den øvre kapslingshalvdelen av den nedre (fig. **7** 6, side 5).
- Ta ut kontaktstiften (fig. **7** 3, side 5).
- Bytt den defekte sikringen (fig. **7** 2, side 5) i en ny sikring med samme størrelse (8 A, 32 V).
- Sett sammen støpslet igjen i motsatt rekkefølge.



### **MERK – Intern likestrømsikring**

Det er en ekstra likestrømsikring inne i apparatet (standard bladsikring for bil, 10 A). Denne sikringen kan bare skiftes ut av et autorisert verksted.

## 6.11 Bytte lyslegeme

- ▶ Trykk koblingsspinnen (fig. **8** 2, side 5) nedover, slik at den gjennomsiktige delen (fig. **8** 1, side 5) av lampene kan tas av framover.
- ▶ Bytt lyslegemet.



### MERK

LED-ene i lyslegemet må være rettet mot den gjennomsiktige delen av lampen.

- ▶ Sett den gjennomsiktige delen av lampen inn i kapslingen igjen.

## 7 Rengjøring og stell



### ADVARSEL!

Skull apparatet fra strømmettet før rengjøring og stell.



### PASS PÅ! Fare for skade!

- Kjøleapparatet må aldri rengjøres under rennende vann eller spyles.
- Bruk ikke slipende vaskemidler eller harde gjenstander til rengjøring, da det kan skade kjøleapparatet.

- ▶ Rengjør apparatet innvendig og utvendig fra tid til annen med en fuktig klut.
- ▶ Påse at ventilasjonsåpningene på apparatet er fri for støv og forurensinger, slik at varmen som oppstår under drift kan ledes bort og apparatet ikke tar skade.

## 8 Garanti

Lovmessig garantitid gjelder. Hvis produktet skulle være defekt, kontakter du produsentens filial i ditt land (du finner adressene på baksiden av veiledningen) eller til din faghandler.

Ved henvendelser vedrørende reparasjon eller garanti, må du sende med følgende dokumentasjon:

- kopi av kvitteringen med kjøpsdato,
- årsak til reklamasjonen eller beskrivelse av feilen.

## 9 Feilretting

Feil	Mulig årsak	Forslag til løsning
Apparatet fungerer ikke, lysdioden lyser ikke.	Det er ikke noen spenning på 12/24 V-kontakten (sigarettenneren) i kjøretøyet.	I de fleste kjøretøyer må tenningen være på for at sigarettenneren skal ha spenning.
	Vekselspenningskontakten har ikke spenning.	Prøv å koble til en annen stikkontakt.
	Apparatsikringen er defekt.	Bytt apparatsikringen, se kapittel «Skifte apparatsikring» på side 174.
	Den integrerte nettdelen er defekt.	Reparasjonen kan kun utføres av en godkjent kundeservicebedrift.
Apparatet kjøler ikke (støpslet er plugget inn, lysdioden «POWER» lyser).	Kompressoren er defekt.	Reparasjonen kan kun utføres av en godkjent kundeservicebedrift.
Apparatet kjøler ikke (støpslet er plugget inn, lysdioden «POWER» blinker oransje, displayet er slått av).	Batterispenning for lav	Kontroller batteriet og lad det eventuelt opp.
Ved drift fra likestrømuttak: Tenningen er på, apparatet er ikke i drift og LED-lampen lyser ikke.	Likestrømuttaket er tilsmusset. Det fører til dårlig elektrisk kontakt.	Hvis pluggen i kjøleren blir svært varm i likestrømuttaket, må enten likestrømuttaket rengjøres, eller pluggen er ikke montert på riktig måte.
	Sikringen i likestrømpluggen har gått.	Skift ut sikringen i likestrømpluggen, se kapittel «Bytte sikring i støpslet (12/24 V)» på side 174.
	Likestrømsikringen inne i apparatet har gått.	Dette kan bare repareres ut av et autorisert verksted.
	Kjøretøysikringen har gått.	Skift ut sikringen for likestrømuttaket i bilen. Se håndboken for kjøretøyet.
Displayet viser en feilmelding (f.eks. «Err1») og apparatet kjøler ikke.	En intern driftsfeil har slått av apparatet.	Reparasjonen kan kun utføres av en godkjent kundeservicebedrift.



## 10 Deponering

- Lever emballasje til resirkulering så langt det er mulig.



Når du tar produktet ut av drift for siste gang, må du sørge for å få informasjon om deponeringsforskrifter hos nærmeste resirkuleringsstasjon eller hos din faghandler.

## 11 Tekniske data

	CF35	CF40
Tilkoblingsspenning:	12/24 V $\equiv$ og 100 – 240 V $\sim$	
Merkestrøm:		
– 12 V $\equiv$ :	6,0 A	6,0 A
– 24 V $\equiv$ :	3,0 A	3,0 A
– 100 – 240 V $\sim$ :	1,3 til 0,7 A	1,3 til 0,7 A
Kjøleeffekt:	+10 °C til –18 °C (+50 °F til 0 °F)	
Kategori:	1	1
Energimerking:	A+	A+
Energiforbruk:	92 kWh/år	101 kWh/år
Nytteinnhold:	31 l	37 l
Klimaklasse:	N, ST, T	N, ST, T
Omgivelsestemperatur:	+16 °C – +43 °C	+16 °C – +43 °C
Støyutslipp:	45 dB(A)	45 dB(A)
Kjølemiddelmengde:	38 g	41 g
CO <sub>2</sub> -ekivalent:	0,054 t	0,059 t
GWP-verdi:	1430	
Mål (B x H x D) i mm:	580 x 385 x 360	580 x 445 x 360
Vekt:	15 kg	16 kg

	<b>CF50</b>
Tilkoblingsspenning:	12/24 V $\equiv$ og 100 – 240 V $\sim$
Merkestrøm:	
– 12 V $\equiv$ :	7,0 A
– 24 V $\equiv$ :	3,0 A
– 100 – 240 V $\sim$ :	1,3 til 0,7 A
Kjøleeffekt:	+10 °C til –18 °C (+50 °F til 0 °F)
Kategori:	1
Energimerking:	A+
Energiforbruk:	110 kWh/år
Nytteinnhold:	47 l
Klimaklasse:	N, ST, T
Omgivelsestemperatur:	+16 °C – +43 °C
Støyutslipp:	45 dB(A)
Kjølemiddelmengde:	41 g
CO <sub>2</sub> -ekivalent:	0,059 t
GWP-verdi:	1430
Mål (B x H x D) i mm:	630 x 480 x 360
Vekt:	18 kg

**MERK**

Ved omgivelsestemperaturer på over +32 °C (+90 °F) kan man ikke lenger nå minimumstemperaturen.

Test/Sertifikater:



Kjølekretsen inneholder R134a.

Inneholder fluoriserte drivhusgasser

Hermetisk lukket innretning

**Lue tämä ohje huolellisesti läpi ennen laitteen käyttöön ottamista ja säilytä ohje. Jos luovutat laitteen toiselle käyttäjälle, luovuta tällöin myös ohje uudelle käyttäjälle.**

Valmistaja ei ota vastuuta vahingoista, jotka aiheutuvat **epäasianmukaisesta käytöstä** tai **väärästä käytöstä**.

## Sisällysluettelo

<b>1</b>	<b>Symbolien selitys</b> .....	180
<b>2</b>	<b>Turvallisuusohjeet</b> .....	180
2.1	Yleinen turvallisuus .....	180
2.2	Laitteen käyttöturvallisuus .....	181
<b>3</b>	<b>Toimituskokonaisuus</b> .....	182
<b>4</b>	<b>Tarkoituksenmukainen käyttö</b> .....	183
<b>5</b>	<b>Toimintakuvaus</b> .....	183
5.1	Toimintomäärä .....	183
5.2	Käyttö- ja näyttölaitteet .....	183
<b>6</b>	<b>Käyttö</b> .....	185
6.1	Ennen ensikäyttöä .....	185
6.2	Vinkkejä energian säästämiseen .....	186
6.3	Kylmälaukun liittäminen .....	186
6.4	Akkutarkkailulaitteen käyttäminen .....	187
6.5	Kylmälaukun käyttäminen .....	188
6.6	Lämpötilan säätäminen .....	189
6.7	Kylmälaukun kytkeminen pois päältä .....	189
6.8	Kylmälaukun sulattaminen .....	190
6.9	Laitesulakkeen vaihtaminen .....	190
6.10	Pistokesulakkeen (12/24 V) vaihtaminen .....	190
6.11	Lapun vaihtaminen .....	191
<b>7</b>	<b>Puhdistaminen ja hoito</b> .....	191
<b>8</b>	<b>Takuu</b> .....	192
<b>9</b>	<b>Häiriöiden poistaminen</b> .....	192
<b>10</b>	<b>Hävittäminen</b> .....	193
<b>11</b>	<b>Tekniset tiedot</b> .....	194

# 1 Symbolien selitys

**VAARA!**

**Turvallisuusohje:** Huomiotta jättäminen aiheuttaa hengenvaaran tai vakavan loukkaantumisen.

**VAROITUS!**

**Turvallisuusohje:** Huomiotta jättäminen voi aiheuttaa hengenvaaran tai vakavan loukkaantumisen.

**HUOMIO!**

**Turvallisuusohje:** Huomiotta jättäminen voi johtaa loukkaantumiseen.

**HUOMAUTUS!**

Huomiotta jättäminen voi johtaa materiaalivaurioihin ja haitata tuotteen toimintaa.

**OHJE**

Tuotteen käyttöä koskevia lisätietoja.

## 2 Turvallisuusohjeet

### 2.1 Yleinen turvallisuus

**VAROITUS!**

- Laitetta ei saa ottaa käyttöön, jos siinä on näkyviä vaurioita.
- Jos tämän laitteen liitäntäjohto vaurioituu, tulee valmistajan tai valtuutetun asiakaspalvelun tai vastaavasti pätevän henkilön vaihtaa se vaaran välttämiseksi.
- Ainoastaan ammattilaiset saavat korjata tätä laitetta. Epäasianmukaisista korjauksista saattaa aiheutua huomattavia vaaroja.
- 8-vuotiaat tai sitä vanhemmat lapset sekä henkilöt, joiden fyysiset, sensoriset tai psyykkiset kyvyt ovat rajoittuneita tai jotka ovat kokemattomia ja/tai tietämättömiä, voivat käyttää tätä laitetta valvonnan alaisina tai kun heille on opetettu laitteen turvallinen käyttö ja he ovat ymmärtäneet siitä aiheutuvat vaarat.

- Lapset eivät saa puhdistaa laitetta tai tehdä käyttäjähuoltoa ilman valvontaa.
- Lapset eivät saa leikkiä laitteella.
- Lapsia tulee valvoa sen varmistamiseksi, etteivät he leiki laitteella.
- Säilytä ja käytä laitetta alle 8-vuotiaiden lasten ulottumattomissa.
- Älä säilytä laitteessa mitään räjähdysalttiita tavaroita kuten esim. suihkepurkkeja, joissa on palavaa punneainetta.



### **HUOMIO!**

- Irrota laite verkosta
  - ennen jokaista puhdistusta tai hoitoa
  - jokaisen käytön jälkeen
- Elintarvikkeita saa säilyttää vain alkuperäispakkauksissa tai tarkoitukseen sopivissa astioissa.



### **HUOMAUTUS!**

- Verratkaa tyyppikilven jännitetietoja käytettävissä olevaan energiansyöttöön.
- Liitätkää laite vain seuraavalla tavalla:
  - toimituskokonaisuuteen kuuluvalla DC-liitäntäjohdolla DC-pistorasiaan
  - toimituskokonaisuuteen kuuluvalla AC-liitäntäjohdolla vaihtovirtaverkkoon
- Älä ota pistoketta koskaan pois pistorasiasta johdosta vetämällä.
- Jos kylmälaite on liitetty DC-pistorasiaan: Irrottaa kylmälaitteenne ja muut sähköä käyttävät laitteet akusta ennen pikalaturin liittämistä.
- Jos kylmälaite on liitetty DC-pistorasiaan: Irrota liitäntä tai sammuta ylmälaite, kun sammutat moottorin. Muuten akku voi purkautua.
- Kylmälaite ei sovi syövyttävien tai liuotainepitoisten aineiden kuljettamiseen.
- Tämän kylmälaitteen erityksessä on palavaa syklopentaania. Eristysmateriaalin kaasut vaativat erityisen hävittämismenetelmän. Vie kylmälaite käyttöön täytyttyä asianmukaiseen hävityspisteeseen.

## **2.2 Laitteen käyttöturvallisuus**



### **HUOMIO!**

- Huolehdi ennen laitteen käyttöönottoa siitä, että johto ja pistoke ovat kuivia.

**HUOMAUTUS!**

- Älä käytä kylmälaukun sisällä mitään sähkölaitteita, vaikka valmistaja näitä suosittelisikin.
- Älkää asettako laitetta avoliekkien tai muiden lämpölähteiden (lämmitys, voimakas auringonpaiste, kaasu-uunit jne.) lähelle.
- **Ylikuumenemisvaara!**  
Huolehtikaa aina siitä, käytössä syntyvä lämpö saadaan johdettua riittävän hyvin pois. Huolehtikaa siitä, että laite on riittävän etäällä seinistä tai esineistä, jotta ilma pääsee kiertämään.
- Huolehtikaa siitä, että tuuletusrakojia ei peitetä.
- Älkää laittako sisäästiaan minkäänlaisia nesteitä tai jäätä.
- Älkää upottako laitetta koskaan veteen.
- Suojatkaa laite ja sen johto kuumuudelta ja kosteudelta.

### 3 Toimituskokonaisuus

Nro kuva <b>1</b> , sivulla 3	Määrä	Nimitys
1	1	Kylmälaukku
2	1	Liitäntäjohto 12/24 V $\equiv$ -liitäntää varten
3	1	Liitäntäjohto 100 – 240 V $\sim$ -liitäntää varten
4	2	Kantokahva, muodostuu: <ul style="list-style-type: none"> <li>– 2 pidikkeestä</li> <li>– 1 kahvakappaleesta</li> <li>– 4 kiinnitysruuvista</li> </ul>
–	1	Käyttöohje

## 4 Tarkoituksenmukainen käyttö

Kylmälaukku sopii elintarvikkeiden jäädyttämiseen ja pakastamiseen. Laite sopii myös venekäyttöön.

Laite on suunniteltu käytettäväksi ajoneuvon, veneen tai asuntoauton 12 V--- tai 24 V---ajoneuvopistorasian (esim. savukkeensytytin) sekä 100 – 240 V~ -vaihtovirtaverkon avulla.



### **HUOMIO! Terveysriski!**

Ole hyvä ja tarkista, vastaako laitteen jäähdysteho niiden elintarvikkeiden tai lääkkeiden vaatimuksia, joita haluat jäädyttää

## 5 Toimintakuvaus

Kylmälaukku pystyy jäädyttämään tuotteita ja pitämään ne kylminä sekä pakastamaan niitä. Jäädyttämiseen käytetään jäähdytyskiertoa ja kompressoria, joita ei tarvitse huoltaa. Erikoisvahva eristys ja tehokas kompressori takaavat erityisen nopean jäähdytyksen.

Kylmälaukku sopii liikkuvaan käyttöön.

Venekäytössä kylmälaukku voi olla jatkuvasti kallistettuna 30°.

### 5.1 Toimintomäärä

- Verkkolaite, jossa jänniteenvalitsin laitteen liittämiseksi vaihtojännitteeseen
- Kolmitasoinen akkuvahdi suoja ajoneuvon akkua.
- Turboteho nopeaa jäädyttämistä varten
- Näyttö, jossa lämpötilänäyttö, sammutetaan automaattisesti, kun akkujännite on alhainen
- Lämpötilasäätö: Kahdella näppäimellä 1 °C (2 °F)-askelin
- Asennettavat kantokahvat

### 5.2 Käyttö- ja näyttölaitteet

#### **CF35, CF40**

Kannen salpaus: kuva **2** 1, sivulla 3

**CF35, CF40, CF50**Käyttökenttä (kuva **3**, sivulla 3)

Kohde	Nimitys	Selitys
1	ON OFF	Kytkee kylmälaulun päälle tai pois, kun painiketta painetaan yksi tai kaksi sekuntia
2	POWER	Toimintailmaisin
		LED palaa vihreänä: Kompressori on päällä
		LED palaa oranssina: Kompressori on pois päältä
		LED vilkkuu oranssina: Näyttö sammutettiin automaattisesti, koska akkujännite on alhainen
3	ERROR	LED vilkkuu punaisena: Laite on päällä, mutta ei käyttövalmis
4	SET	Valitsee syöttötilan – Lämpötilan säätö – °Celsius- tai °Fahrenheit-asteiden syöttö – Akkuvahdin säätö
5	–	Näyttö, näyttää arvot
6	UP +	Näpäytys kerran nostaa valittua syöttöarvoa
7	DOWN –	Näpäytys kerran alentaa valittua syöttöarvoa

Liittimet (kuva **4**, sivulla 4):

Kohde	Nimitys
1	Vaihtojännitesyötön liitin
2	Sulakepidike
3	Tasajännitesyötön liitin



## 6 Käyttö

### 6.1 Ennen ensikäyttöä



#### OHJE

Puhdistakaa uusi kylmälaukku hygieenisistä syistä kostealla liinalla sisältä ja ulkoa ennen laitteen käyttöön ottamista (kts. myös kap. ”Puhdistaminen ja hoito” sivulla 191).

#### Kahvojen asennus

Kahvat toimitetaan irrallaan. Jos haluatte asentaa kahvat, menetelkää seuraavasti:

- Kootkaa aina kaksi pidikettä (kuva **5** 1, sivulla 4) ja yksi kahvakappale (kuva **5** 2, sivulla 4) kokoon kahvaksi.
- Kiinnittäkää kahva mukana toimitetuilla ruuveilla valmiisiin reikiin.

#### Kannen kätisyyden vaihtaminen (CF50)

Voitte vaihtaa kannen kätisyyttä, jos haluatte sen aukeavan toiselta puolelta. Menetelkää tätä varten seuraavasti:

- Avaa kansi ja vedä se ulos (kuva **6** A, sivulla 5).
- Käännä kantta.
- Aseta kansi kannen pitimiin kylmälaukun vastakkaisella puolella (kuva **6** B, sivulla 5).

#### Lämpötilayksikön valinta

Voit valita lämpötilan näytön °Celsius- ja °Fahrenheit-yksikköjen välillä. Toimi tätä varten seuraavasti:

- Kytke kylmälaukku päälle.
- Paina painiketta ”SET” (kuva **3** 4, sivulla 3) kaksi kertaa.
- Aseta lämpötilayksikkö °Celsius tai °Fahrenheit painikkeilla ”UP +” (kuva **3** 6, sivulla 3) tai ”DOWN –” (kuva **3** 7, sivulla 3).
- ✓ Näyttö näyttää asetetun lämpötilayksikön muutaman sekunnin ajan. Näyttö vilkkuu muutaman kerran, ennen kuin se palaa tämänhetkisen lämpötilan näyttöön.

## 6.2 Vinkkejä energian säästämiseen

- Valitkaa asennuspaikka, joka on hyvin tuuletettu ja suojassa auringonpaisteelta.
- Antakaa lämminten ruokien jäähtyä ennen niiden säilyttämistä laitteessa kylminä.
- Älkää avatko kylmälaitetta tarpeettoman usein.
- Älä jätä jäähdytyslaitetta auki pidemmäksi ajaksi kuin tarpeen.
- Sulattakaa kylmälaukku heti, kun siihen on muodostunut jääkerros.
- Vältä kää tarpeettoman matalaa sisälämpötilaa.

## 6.3 Kylmälaukun liittäminen

### Liittäminen akkuun (Ajoneuvo tai vene)

Kylmälaukku voidaan käyttää 12 V tai 24 V -tasajännitteellä.



#### **HUOMAUTUS! Laitevauriovaara!**

Irrottakaa kylmälaukku ja muut sähköä kuluttavat laitteet akusta ennen kuin lataatte akkua pikalaturilla.

Ylijännitteet voivat vahingoittaa laitteiden elektroniikkaa.

Kylmälaukku on varmuuden vuoksi varustettu elektronisella napaisuussuojauksella, joka suojaa kylmälaukkuu vääärältä napaisuudelta akkuliitännässä sekä oikosululta.

- Työntäkää 12/24 V -liitäntäjohto (kuva **1** 2, sivulla 3) laitteen tasajänniteliihtimeen ja liitätkää se savukkeensytyttimeen tai 12 V tai 24 V -pistorasiaan.

### Liittäminen 100 – 240 V -vaihtovirtaverkkoon (esim. kotona tai toimistossa)



#### **VAARA! Sähköiskusta johtuva hengenvaara!**

- Älkää käsitelkö pistokkeita ja kytkimiä märin käsin tai kun seisotte märässä paikassa.
- Jos käytätte kylmälaukkuu veneessä maista vedetyn 100 – 240 V -vaihtovirtaverkon avulla, 100 – 240 V -vaihtovirtaverkon ja kylmälaukun väliin täytyy kytkeä joka tapauksessa FI-suojakytkin. Pyytäkää neuvoja ammattimieheiltä.

Kylmälaukuissa on yhdysrakenteinen monijänniteverkko laite ja jännitteenvalitsin 100 – 240 V -vaihtojänniteliihtintää varten. Jännitteenvalitsimen avulla laite kytketään automaattisesti verkkokäyttölle, kun laite liitetään 100 – 240 V -vaihtovirtaverkkoon, vaikka 12/24 V -liitäntäjohto olisi yhä liitettynä.

Punainen LED voi loistaa joitakin minutteja siirryttäessä vaihtovirtaverkosta akkukäyttöön tai toisin päin.

- Työntäkää 100 – 240 V-liitäntäjohto (kuva **1** 3, sivulla 3) vaihtojänniteliittimeen ja liitäkää se sitten 100 – 240 V -vaihtovirtaverkkoon.

## 6.4 Akkutarkkailulaitteen käyttäminen

Laitteessa on monipykäläinen akkutarkkailulaite, joka suojelee ajoneuvonne akkua syväpurkautumiselta, kun laitetta käytetään ajoneuvon 12/24 V -sähköjärjestelmän avulla.

Jos kylmälaukku käytetään ajoneuvon sytytyksen ollessa pois päältä, laukku kytkeytyy itsestään pois päältä heti, kun syöttöjännite laskee säädetyn arvon alle. Kylmälaukku kytkeytyy päälle heti, kun akun lataustila on saavuttanut jännitteen, jossa laukku kytkeytyy uudelleen päälle.



### HUOMAUTUS! Vahingoittumisvaara!

Akkuun jää akkutarkkailulaitteen suorittaman pois kytkennän jälkeen vain osa sen täydestä latauskapasiteetista. Vältä useita käynnistyksiä ja sähköä kuluttavien laitteiden käyttämistä ilman pidempiä latausvaiheita. Huolehdi siitä, että akku ladataan uudelleen.

Tilassa "HIGH" akkutarkkailulaite reagoi nopeammin kuin tasoilla "LOW" ja "MED" (kts. seuraava taulukko).

Akkutarkkailulaitteen tila	LOW	MED	HIGH
Poiskytkentäjännite 12 V:lla	10,1 V	11,4 V	11,8 V
Jälleenkytkeytymisjännite 12 V:lla	11,1 V	12,2 V	12,6 V
Poiskytkentäjännite 24 V:lla	21,5 V	24,1 V	24,6 V
Jälleenkytkeytymisjännite 24 V:lla	23,0 V	25,3 V	26,2 V

Vaihda akkuvahdin tila seuraavasti:

- Kytke kylmälaukku päälle.
- Paina painiketta "SET" (kuva **3** 4, sivulla 3) kolme kertaa.
- Aseta akkuvahdin tilan painikkeilla "UP +" (kuva **3** 6, sivulla 3) tai "DOWN -" (kuva **3** 7, sivulla 3).
- ✓ Näyttö näyttää asetetun tilan muutaman sekunnin ajan. Näyttö vilkkuu muutaman kerran, ennen kuin se palaa tämänhetkisen lämpötilan näyttöön.

**OHJE**

Kun kylmälaukku saa virtansa käynnistysakusta, valitkaa akkutarkkailulaitteen tilaksi "HIGH". Jos kylmälaukku on liitetty erilliseen syöttöakkuun, akkutarkkailulaitteen tilaksi riittää "LOW".  
Asettakaa akkutarkkailulaite asentoon "LOW", kun haluatte käyttää kylmälaukkuja vaihtovirtaverkon avulla.

**6.5 Kylmälaukun käyttäminen****HUOMAUTUS! Ylikuumenemisvaara!**

Huolehtikaa aina siitä, käytössä syntyvä lämpö saadaan johdettua riittävän hyvin pois. Huolehtikaa siitä, että tuuletusrakojia ei peitetä. Huolehtikaa siitä, että laite on riittävän etäällä seinistä tai esineistä, jotta ilma pääsee kiertämään.

- Asettakaa kylmälaukku tukevalle alustalle.  
Huolehtikaa siitä, että tuuletusrakojia ei peitetä ja että lämmennyt ilma pääsee poistumaan hyvin.

**OHJE**

Plasser kjøleboksen som vist (se fig.). Hvis apparatet brukes i en annen posisjon, kan det bli ødelagt.

- Liittäkää kylmälaukku, kts. kap. "Kylmälaukun liittäminen" sivulla 186.

**OHJE**

Asettakaa akkutarkkailulaite asentoon "LOW", kun haluatte käyttää kylmälaukkuja vaihtovirtaverkon avulla.

**HUOMAUTUS! Liian alhaisesta lämpötilasta aiheutuu vaara!**

Huolehtikaa siitä, että kylmälaukussa on vain esineitä tai tuotteita, jotka saa jäähdyttää valittuun lämpötilaan.

- Paina painiketta "ON/OFF" (kuva **3** 1, sivulla 3) yksi tai kaksi sekuntia.
- ✓ LED "POWER" palaa.
- ✓ Näyttö (kuva **3** 5, sivulla 3) kytkeytyy päälle ja näyttää nykyisen jäähdytyslämpötilan °C:na.

**OHJE**

Näytettävä lämpötila koskee sisätilan keskikohtaa. Muiden kohtien lämpötila voi poiketa tästä.

- ✓ Kylmälaukku alkaa jäähdyttää sisätilaansa.

**OHJE**

Akun kanssa käytettäessä näyttö sammuu automaattisesti, kun akkujännite on matala. LED "POWER" vilkkuu oranssina.

**Kylmälaukun salpaus (CF35, CF40)**

- Sulkekaa kansi.
- Painakaa salpausta alaspäin (kuva **2** 1, sivulla 3) kunnes kuulette sen lukittuvan.

**6.6 Lämpötilan säätäminen**

- Paina painiketta "SET" (kuva **3** 4, sivulla 3) kerran.
- Aseta jäähdytyslämpötila painikkeella "UP +" (kuva **3** 6, sivulla 3) tai "DOWN -" (kuva **3** 7, sivulla 3).
- ✓ Näyttö näyttää halutun jäähdytyslämpötilan joitakin sekunteja °C:na. Näyttö vilkkuu muutaman kerran ennen kuin se palaa takaisi näyttämään nykyistä lämpötilaa.

**6.7 Kylmälaukun kytkeminen pois päältä**

- Tyhjentäkää kylmälaukku.
- Kytkekää kylmälaukku pois päältä.
- Vetäkää liitäntäjohto irti.

Jos poistatte kylmälaukun käytöstä pidemmäksi aikaa:

- Jättäkää kansi hieman auki. Näin estätte hajujen muodostumisen.

## 6.8 Kylmälaukun sulattaminen

Ilmankosteus voi muodostaa haihduttimeen tai kylmälaukun sisälle huurretta, joka heikentää jäähdystystehoa. Sulattakaa laite ajoissa.



### **HUOMAUTUS! Laitevauriovaara!**

Älkää koskaan käyttäkö kovia tai teräviä esineitä jääkeroistumisen poistamiseen tai kiinni jäätyneiden esineiden irrottamiseen.

Menetelkää seuraavalla tavalla sulattaaksenne kylmälaukun:

- Ottakaa kylmätavarat pois.
- Laittakaa ne mahd. toiseen kylmälaitteeseen, jotta ne pysyvät kylminä.
- Kytkekää laite pois päältä.
- Jättäkää kansi auki.
- Pyyhkikää sulamisvesi pois.

## 6.9 Laitesulakkeen vaihtaminen



### **VAARA! Sähköiskusta johtuva hengenvaara!**

Irrottakaa liitännäjohdot ennen laitesulakkeen vaihtamista.

- Vetäkää liitännäjohdot irti.
- Vääntäkää sulakepesä (kuva **4** 2, sivulla 4) esim. ruuvimeisselillä ulos.
- Vaihtakaa viallinen sulake uuteen sulakkeeseen, jonka arvo on sama (T4AL 250V)
- Painakaa sulakepesä takaisin runkoon.

## 6.10 Pistokesulakkeen (12/24 V) vaihtaminen

- Vetäkää tasausholkki (kuva **7** 4, sivulla 5) irti pistokkeesta.
- Kiertäkää ruuvi (kuva **7** 5, sivulla 5) ulos rungon ylemmästä puoliskosta (kuva **7** 1, sivulla 5).
- Nostakaa rungon ylempi puolisko (kuva **7** 6, sivulla 5) varovasti pois alapuoliskosta.
- Ottakaa kontaktitappi (kuva **7** 3, sivulla 5) pois.
- Vaihtakaa viallinen sulake (kuva **7** 2, sivulla 5) uuteen sulakkeeseen, jonka arvo on sama (8 A, 32 V).

- Kootkaa pistoke käänteisessä järjestyksessä kokoon.



### OHJE – Sisäinen DC-sulake

Laitteen sisällä on erillinen DC-sulake (ajoneuvokäyttöön tarkoitettu vaki-osulake, 10 A). Tämän sulakkeen voi vaihtaa vain valtuutettu korjausliike.

## 6.11 Lapun vaihtaminen

- Paina kytkinnastaa (kuva **8** 2, sivulla 5) alaspäin niin, että valaisimen läpinäkyvä osa (kuva **8** 1, sivulla 5) voidaan ottaa eteenpäin pois.
- Vaihda lamppu



### OHJE

Lapun LEDien täytyy olla suunnattu lampun läpinäkyvään osaan päin.

- Aseta lapun läpinäkyvä osa takaisin runkoon.

## 7 Puhdistaminen ja hoito



### VAROITUS!

Irrota laite verkosta aina ennen puhdistusta ja huoltoa.



### HUOMAUTUS! Vaurioitumisvaara!

- Älä puhdistu kylmälaitetta koskaan juoksevan veden alla tai tiskivedessä.
- Älä käytä puhdistamiseen kovia puhdistusaineita tai kovia esineitä, koska ne voivat vahingoittaa kylmälaitetta.

- Puhdistakaa laite toisinaan sisältä ja ulkoa kostealla liinalla.
- Varmista, että laitteen ilmanotto- ja poistoaukot ovat puhtaita pölystä ja liasta, jotta toiminnassa syntyvä lämpö voidaan johtaa pois ja laite ei pääse vaurioitumaan.

## 8 Takuu

Laitetta koskee lakisääteinen takuu-aika. Jos tuote sattuu olemaan viallinen, käänny maasi valmistajan toimipisteen puoleen (osoitteet käyttöohjeen takasivulla) tai ota yhteyttä omaan ammattikauppiaseesi.

Korjaus- ja takuukäsittelyä varten lähetä mukana seuraavat asiakirjat:

- kopio ostolaskusta, jossa näkyy ostopäivä,
- valitusperuste tai vikakuvaus.

## 9 Häiriöiden poistaminen

Häiriö	Mahdollinen syy	Ratkaisuehdotus
Laitte ei toimi, LED ei loista.	Ajoneuvon 12/24 V -pistorasiassa (savukkeensytyttimessä) ei ole jännitettä.	Useimmissa ajoneuvoissa virtalukon täytyy olla päällä, jotta savukkeensytytin saa jännitettä.
	Vaihtojännitepistorasiassa ei ole jännitettä.	Kokeilkaa toista pistorasiaa.
	Laitesulake on palanut.	Vaihtakaa laitesulake, kts. kap. "Laitesulakkeen vaihtaminen" sivulla 190.
	Sisäänrakennettu verkkolaite on rikki.	Vain valtuutettu asiakaspalveluliike voi korjata vian.
Laitte ei jäähdytä (pistoke on kiinnitetty, LED "POWER" loistaa).	Kompressorin rikki.	Vain valtuutettu asiakaspalveluliike voi korjata vian.
Laitte ei jäähdytä (pistoke on kiinnitetty, LED "POWER" vilkkuu oranssina, näyttö on kytketty pois).	Käyttöjännite ei riitä.	Tarkastakaa akku ja ladatkaa se tarvittaessa.



Häiriö	Mahdollinen syy	Ratkaisuehdotus
Käytettäessä tasavirta-pistorasiassa: Sytytys on päällä, laite ei toimi eikä LED pala.	Tasavirtapistorasia on likainen. Tämän vuoksi sähköinen kontakti on heikko.	Jos kylmälaitteen pistoke kuumenee voimakkaasti DC-pistorasiassa, pistorasia on puhdistettava tai pistokkeen osat on koottu virheellisesti.
	Tasavirtapistokkeen sulake on palanut.	Vaihda DC-pistokkeen sulake, ks. kap. "Pistokesulakkeen (12/24 V) vaihtaminen" sivulla 190.
	DC-sulake laitteen sisällä on palanut.	Tämän vian voi korjata vain valtuutettu korjausliike.
	Ajoneuvosulake on palanut.	Vaihda ajoneuvon DC-pistorasian sulake. Lisätietoja ajoneuvosi käyttöohjeessa.
Näyttö ilmaisee virheilmoituksen (esim. "Err1") ja laite ei jäähdytä.	Sisäinen käyttöhäiriö on sammuttanut laitteen.	Vain valtuutettu asiakaspalveluliike voi korjata vian.

## 10 Hävittäminen

- Vie pakkausmateriaali mahdollisuuksien mukaan vastaavan kierrätysjätteen joukkoon.



Jos poistat tuotteen lopullisesti käytöstä, pyydä tietoa sen hävittämistä koskevista määräyksistä lähimmästä kierrätyskeskuksesta tai ammattiliikkeestäsi.

# 11 Tekniset tiedot

	<b>CF35</b>	<b>CF40</b>
Liitäntäjännite:	12/24 V $\text{DC}$ ja 100 – 240 V $\sim$	
Nimellisvirta:		
– 12 V $\text{DC}$ :	6,0 A	6,0 A
– 24 V $\text{DC}$ :	3,0 A	3,0 A
– 100 – 240 V $\sim$ :	1,3 – 0,7 A	1,3 – 0,7 A
Jäähdytysteho:	+10 °C:sta –18 °C:een (+50 °F:sta 0 °F:een)	
Luokka:	1	1
Energiatohokkuusluokka:	A+	A+
Energiankulutus:	92 kWh/vuosi	101 kWh/vuosi
Hyötytilavuus:	31 l	37 l
Ilmastoluokka:	N, ST, T	N, ST, T
Ympäristön lämpötila:	+16 °C – +43 °C	+16 °C – +43 °C
Melupäästöt:	45 dB(A)	45 dB(A)
Jäähdytysainemäärä:	38 g	41 g
CO <sub>2</sub> -ekvivalentti:	0,054 t	0,059 t
Vaikutus ilmaston lämpenemiseen (GWP):	1430	
Mitat (L x K x S) mm:	580 x 385 x 360	580 x 445 x 360
Paino:	15 kg	16 kg

	<b>CF50</b>
Liitäntäjännite:	12/24 V $\equiv$ ja 100 – 240 V $\sim$
Nimellisvirta:	
– 12 V $\equiv$ :	7,0 A
– 24 V $\equiv$ :	3,0 A
– 100 – 240 V $\sim$ :	1,3 – 0,7 A
Jäähdytysteho:	+10 °C:sta –18 °C:een (+50 °F:sta 0 °F:een)
Luokka:	1
Energiatehokkuusluokka:	A+
Energiankulutus:	110 kWh/vuosi
Hyötytilavuus:	47 l
Ilmastoluokka:	N, ST, T
Ympäristön lämpötila:	+16 °C – +43 °C
Melupäästöt:	45 dB(A)
Jäähdytysainemäärä:	41 g
CO <sub>2</sub> -ekvivalentti:	0,059 t
Vaikutus ilmaston lämpenemiseen (GWP):	1430
Mitat (L x K x S) mm:	630 x 480 x 360
Paino:	18 kg

**OHJE**

Minimilämpötilaa ei voida enää saavuttaa vain, jos ympäristölämpötila on yli +32 °C (+90 °F).

Tarkastus/sertifikaatit:



Jäähdytyskierto sisältää R134a:ta.

Sisältää fluorattuja kasvihuonekaasuja

Ilmatiiviisti suljetulla laitteella

**Прочтите данную инструкцию перед вводом в эксплуатацию и сохраните ее. В случае передачи холодильника передайте инструкцию следующему владельцу.**

Изготовитель не несет ответственности за ущерб, вызванный **использованием не по назначению** или **неправильным управлением**.

## Оглавление

<b>1</b>	<b>Пояснение символов</b> .....	197
<b>2</b>	<b>Указания по технике безопасности</b> .....	197
2.1	Общая безопасность .....	197
2.2	Техника безопасности при работе прибора .....	199
<b>3</b>	<b>Объем поставки</b> .....	200
<b>4</b>	<b>Использование по назначению</b> .....	200
<b>5</b>	<b>Описание работы</b> .....	200
5.1	Объем функций .....	201
5.2	Органы управления и индикации .....	201
<b>6</b>	<b>Управление</b> .....	202
6.1	Перед первым использованием .....	202
6.2	Советы по энергосбережению .....	203
6.3	Присоединение холодильника .....	203
6.4	Использование защитного реле .....	205
6.5	Использование холодильника .....	206
6.6	Настройка температуры .....	207
6.7	Выключение холодильника .....	207
6.8	Оттаивание холодильника .....	208
6.9	Замена предохранителя прибора .....	208
6.10	Замена предохранителя штекера (12/24 В) .....	208
6.11	Замена лампы .....	209
<b>7</b>	<b>Чистка и уход</b> .....	209
<b>8</b>	<b>Гарантия</b> .....	210
<b>9</b>	<b>Устранение неисправностей</b> .....	210
<b>10</b>	<b>Утилизация</b> .....	211
<b>11</b>	<b>Технические данные</b> .....	212

# 1 Пояснение символов



## **ОПАСНОСТЬ!**

**Указания по технике безопасности:** Несоблюдение ведет к смертельному исходу или тяжелым травмам.



## **ПРЕДУПРЕЖДЕНИЕ!**

**Указания по технике безопасности:** Несоблюдение может привести к смертельному исходу или тяжелым травмам.



## **ОСТОРОЖНО!**

**Указания по технике безопасности:** Несоблюдение может привести к травмам.



## **ВНИМАНИЕ!**

Несоблюдение может привести к повреждениям и нарушить работу продукта.



## **УКАЗАНИЕ**

Дополнительная информация по управлению продуктом.

# 2 Указания по технике безопасности

## 2.1 Общая безопасность



### **ПРЕДУПРЕЖДЕНИЕ!**

- Запрещается вводить прибор в работу, если он имеет видимые повреждения,
- В случае повреждения питающего кабеля данного прибора он – во избежание опасностей – должен быть заменен изготовителем, сервисным центром или имеющим аналогичную квалификацию персоналом.
- Ремонт данного прибора разрешается выполнять только специалистам. Неправильно выполненный ремонт может приводить к серьезным опасностям.

- Этот прибор может использоваться детьми с 8-ми лет и старше, а также лицами с ограниченными физическими, сенсорными и умственными способностями или при недостатке необходимого опыта и/или знаний только под присмотром или после прохождения инструктажа по безопасному использованию прибора, если они поняли опасности, которые при этом могут возникнуть.
- Запрещается выполнять очистку и пользовательское техническое обслуживание детям без присмотра.
- Детям запрещается играть с прибором.
- За детьми необходимо постоянно следить, чтобы не допустить их игры с прибором.
- Поэтому храните и используйте прибор в месте, недоступном для детей младше 8-ми лет.
- Не храните в приборе взрывоопасные вещества, например, аэрозольные баллоны с горючим газами-вытеснителями.

**ОСТОРОЖНО!**

- Отсоединяйте прибор от сети
  - перед каждой чисткой и уходом
  - после каждого использования
- Продукты питания разрешается хранить только в оригинальной упаковке или подходящих емкостях.

**ВНИМАНИЕ!**

- Сравните значения напряжения, указанные на заводской табличке, с характеристиками имеющегося источника питания.
- Присоединяйте прибор следующим образом:
  - соединительным кабелем постоянного тока к источнику питания постоянного тока в автомобиле
  - или соединительным кабелем переменного тока к сети переменного тока
- Не вытаскивайте штекер из розетки за питающий кабель.
- Если холодильник присоединен к розетке постоянного тока: Отсоедините холодильник и другие потребители от аккумуляторной батареи, прежде чем присоединить устройство для ускоренного заряда.
- Если холодильник присоединен к розетке постоянного тока: Прервите соединение или выключите холодильник перед выключением двигателя. В противном случае аккумуляторная батарея может разрядиться.

- Холодильник не предназначен для транспортировки едких или содержащих растворители веществ.
- Этот холодильный аппарат содержит в своей изоляции горючий циклопентан. Газы в изоляционном материале требуют особого метода утилизации. После окончания срока службы холодильного аппарата сдайте его должным образом в центр по утилизации.

## 2.2 Техника безопасности при работе прибора



### ОСТОРОЖНО!

- Перед вводом в эксплуатацию убедитесь в том, что питающий кабель и штекер сухие.



### ВНИМАНИЕ!

- Не используйте электрические приборы внутри холодильника, за исключением случаев, когда эти приборы рекомендованы для этого изготовителем.
- Не устанавливайте прибор вблизи открытого огня или других источников тепла (радиаторов отопления, сильных солнечных лучей, газовых печей и т. п.).
- **Опасность перегрева!**  
Постоянно следите за тем, чтобы образующееся при работе тепло могло быть надежно отведено. Прибор должен всегда находиться на достаточном расстоянии до стен или иных предметов, чтобы обеспечивалась хорошая циркуляция воздуха.
- Следите за тем, чтобы не перекрывались вентиляционные отверстия.
- Запрещается заполнять внутреннее пространство жидкостями или льдом.
- Не погружайте прибор в воду.
- Предохраняйте прибор и кабели от действия жары и влаги.

### 3 Объем поставки

№ на рис. 1, стр. 3	Кол-во	Наименование
1	1	Холодильник
2	1	Питающий кабель для присоединения к сети 12 В $\equiv$
3	1	Питающий кабель для присоединения к сети 100 – 240 В $\sim$
4	2	Ручка, в комплект которой входят: <ul style="list-style-type: none"> <li>– 2 держателя</li> <li>– 1 элемент ручки</li> <li>– 4 крепежных винта</li> </ul>
–	1	Инструкция по эксплуатации

### 4 Использование по назначению

Холодильник предназначен для охлаждения и глубокого охлаждения продуктов питания. Прибор также пригоден для работы на катерах и лодках.

Прибор предназначен для работы от бортовой сети 12 В $\equiv$  или 24 В $\equiv$  автомобиля (например, прикуривателя), катера или жилого автомобиля, а также от сети 100 – 240 В $\sim$ .



#### **ОСТОРОЖНО! Опасность для здоровья!**

Проверьте, соответствует ли холодопроизводительность прибора требованиям продуктов питания или медикаментов, которые нужно охладить.

### 5 Описание работы

Холодильник предназначен для охлаждения продуктов и поддержания их в охлажденном состоянии, а также для глубокого охлаждения. Охлаждение осуществляется не требующим обслуживания холодильным контуром с компрессором. Изоляция большой толщины и мощный компрессор обеспечивают особо быстрое охлаждение.

Холодильник подходит для мобильного использования.



При применении на катерах и лодках холодильник может быть подвергнут постоянному крену в 30°.

## 5.1 Объем функций

- Блок питания с приоритетной схемой для подключения к переменному напряжению
- Трехступенчатое реле контроля для защиты аккумуляторной батареи автомобиля
- Турбо-режим для быстрого охлаждения
- Дисплей с индикацией температуры, при низком напряжении аккумуляторной батареи автоматически отключается
- Регулировка температуры: двумя кнопками с шагом 1 °C (2 °F)
- Монтируемые ручки

## 5.2 Органы управления и индикации

### CF35, CF40

Блокировка крышки: рис. **2** 1, стр. 3

### CF35, CF40, CF50

Панель управления (рис. **3**, стр. 3)

Поз.	Наименование	Пояснение
1	ON OFF	Включает или выключает холодильник, если нажать кнопку на одну-две секунды
2	POWER	Индикатор
		Светодиод горит зеленым светом: компрессор включен
		Светодиод горит оранжевым светом: компрессор выключен
		Светодиод мигает оранжевым светом: дисплей был автоматически отключен, т. к. низкое напряжение аккумуляторной батареи
3	ERROR	Светодиод мигает красным светом: включенный прибор не готов к работе

Поз.	Наименование	Пояснение
4	SET	Выбирает режим ввода – Регулировка температуры – Указание температуры в градусах Цельсия или градусах Фаренгейта – Настройка реле контроля батареи
5	–	Дисплей, отображает значения
6	UP +	Однократное нажатие увеличивает выбранную вводимую величину
7	DOWN –	Однократное нажатие уменьшает выбранную вводимую величину

Соединительные разъемы (рис. **4**, стр. 4):

Поз.	Наименование
1	Соединительный разъем для питания переменным напряжением
2	Держатель предохранителя
3	Соединительный разъем для питания постоянным напряжением

## 6 Управление

### 6.1 Перед первым использованием



#### УКАЗАНИЕ

Перед вводом нового холодильника в работу его, в гигиенических целях, следует протереть снаружи и изнутри влажной тряпкой (см. также гл. «Чистка и уход» на стр. 209).

#### Монтаж ручек

Ручки входят в объем поставки незакрепленными. При монтаже ручек соблюдайте следующий порядок действий:

- Соберите ручку, соединив два держателя (рис. **5** 1, стр. 4) и элемент ручки (рис. **5** 2, стр. 4).
- Закрепите ручку входящими в объем поставки винтами в предусмотренных для этого отверстиях.

## Переворачивание ограничителя крышки (CF50)

Вы можете перевернуть ограничитель крышки, если хотите ее открывать в другую сторону. При этом соблюдайте следующий порядок действий:

- Откройте крышку и вытащите ее (рис. **6** А, стр. 5).
- Поверните крышку.
- Вставьте крышку в крепления на противоположной стороне холодильника (рис. **6** В, стр. 5).

## Выбор единицы измерения температуры

Для указания температуры Вы можете выбрать между градусами Цельсия и градусами Фаренгейта. При этом соблюдайте следующий порядок действий:

- Включите холодильник.
  - Нажмите кнопку «SET» (рис. **3** 4, стр. 3) два раза.
  - Настройте кнопкой «UP +» (рис. **3** 6, стр. 3) или «DOWN –» (рис. **3** 7, стр. 3), индикацию температуры в градусах Цельсия или в градусах Фаренгейта.
- ✓ На дисплее на несколько секунд появляется настроенная единица измерения температуры. Дисплей мигает несколько раз, прежде чем вернуться к отображению текущей температуры.

## 6.2 Советы по энергосбережению

- Выбирайте хорошо проветриваемое, защищенное от солнечных лучей место применения.
- Дайте теплым блюдам охладиться, прежде чем поставить их в холодильник.
- Не открывайте холодильник чаще, чем это действительно необходимо.
- Не оставляйте крышку открытой дольше, чем это действительно необходимо.
- Оттаивайте холодильник, как только образовался слой льда.
- Избегайте излишне низкую внутреннюю температуру.

## 6.3 Присоединение холодильника

### Присоединение к аккумуляторной батарее (автомобиля или катера)

Холодильник может работать от источника постоянного тока с напряжением 12 В или 24 В.

**ВНИМАНИЕ! Опасность повреждений прибора!**

Отсоедините холодильник и другие потребители от батареи, прежде чем зарядить ее устройством для ускоренного заряда.

Перенапряжение может повредить электронные узлы приборов.

В целях безопасности холодильник оснащен электронной защитой от включения с неправильной полярностью, которая защищает холодильник от повреждений при неправильном включении и от короткого замыкания.

- ▶ Вставьте питающий кабель 12/24 В (рис. **1** 2, стр. 3) в разъем для постоянного напряжения и присоедините его к прикуривателю или к розетке 12 В или 24 В.

**Присоединение к сети переменного тока 110-240 В (например, дома или в офисе)****ОПАСНОСТЬ! Опасность для жизни вследствие поражения электрическим током!**

- Не возитесь со штекерами и выключателями, если у Вас влажные руки или Вы стоите ногами на мокрой поверхности.
- Если холодильник на борту катера работает от береговой сети переменного тока с напряжением 100 – 240 В, то Вы обязательно должны установить автоматический выключатель дифференциальной защиты между сетью 100 – 240 В и холодильником.  
Проконсультируйтесь со специалистом.

Холодильник имеют встроенный блок питания от сети постоянного/переменного тока с приоритетной схемой для присоединения к источнику переменного напряжения

100 – 240 В. Благодаря приоритетной схеме производится автоматическое переключение на работу от сети, если прибор подключается к сети переменного тока  $ein$  100 – 240 В, даже если еще присоединен кабель для питания от источника 12/24 В.

При переключении между сетью переменного тока и питанием от аккумуляторной батареи на несколько минут могут загораться красные светодиоды.

- ▶ Вставьте питающий кабель 100 – 240 В (рис. **1** 3, стр. 3) в разъем для переменного напряжения и присоедините его к сети переменного тока 100 – 240 В.

## 6.4 Использование защитного реле

Прибор оснащен индустриальным реле контроля батареи, которое защищает аккумуляторную батарею Вашего автомобиля от глубокого разряда при присоединении к бортовой электрической сети 12/24 В.

Если холодильник работает при выключенном зажигании в автомобиле, то холодильник отключается автоматически, как только напряжение питания падает ниже установленного значения. Холодильник включается снова, когда благодаря заряду батареи достигается напряжение повторного включения.



### **ВНИМАНИЕ! Опасность повреждений!**

При отключении защитным реле аккумуляторная батарея не имеет своей полной зарядной емкости; избегайте многократного пуска или работы потребителей тока без длительных периодов заряда. Следите за тем, чтобы аккумуляторная батарея снова заряжалась.

В режиме «HIGH» защитное реле срабатывает быстрее, чем в режиме «LOW» и «MED» (см. следующую таблицу).

Режим работы защитного реле	LOW	MED	HIGH
Напряжение выключения при 12 В	10,1 В	11,4 В	11,8 В
Напряжение повторного включения при 12 В	11,1 В	12,2 В	12,6 В
Напряжение выключения при 24 В	21,5 В	24,1 В	24,6 В
Напряжение повторного включения при 24 В	23,0 В	25,3 В	26,2 В

Для изменения режима работы реле контроля соблюдайте следующий порядок действий:

- Включите холодильник.
- Нажмите кнопку «SET» (рис. **3** 4, стр. 3) три раза.
- Настройте кнопкой «UP +» (рис. **3** 6, стр. 3) или «DOWN –» (рис. **3** 7, стр. 3), режим работы реле контроля.
- ✓ На дисплее на несколько секунд появляется настроенный режим.. Дисплей мигает несколько раз, прежде чем вернуться к отображению текущей температуры.

**УКАЗАНИЕ**

Если питание холодильника осуществляется от стартерной аккумуляторной батареи, то выберите режим работы защитного реле «HIGH». Если питание холодильника осуществляется от питающей аккумуляторной батареи, то достаточно режима работы защитного реле «LOW».

Если Вы хотите эксплуатировать холодильник от сети переменного тока, то установите защитное реле на режим «LOW».

## 6.5 Использование холодильника

**ВНИМАНИЕ! Опасность перегрева!**

Постоянно следите за тем, чтобы образующееся при работе тепло могло быть надежно отведено. Следите за тем, чтобы не перекрывались вентиляционные прорези. Прибор должен всегда находиться на достаточном расстоянии до стен или иных предметов, чтобы обеспечивалась хорошая циркуляция воздуха.

- Установите холодильник на прочную опору. Следите за тем, чтобы не перекрывались вентиляционные прорези и чтобы нагретый воздух мог хорошо отводиться.

**УКАЗАНИЕ**

Установите холодильник, как показано на рисунке (рис. **1**, стр. 3).

Если холодильник эксплуатировать в другом положении, то он может получить повреждения..

- Присоедините холодильник, см. гл. «Присоединение холодильника» на стр. 203.

**УКАЗАНИЕ**

Если Вы хотите эксплуатировать холодильник от сети переменного тока, то установите защитное реле на режим «LOW».

**ВНИМАНИЕ! Опасность, вызванная слишком низкой температурой!**

Следите за тем, чтобы в холодильнике находились только предметы и продукты, которые разрешается охлаждать до выбранной температуры.

- Нажмите кнопку «ON/OFF» (рис. **3** 1, стр. 3) на одну-две секунды.

- ✓ Светодиод «POWER» загорается.
- ✓ Дисплей (рис. **3** 5, стр. 3) включается и показывает текущую температуру охлаждения.

**УКАЗАНИЕ**

Указываемая температура относится к центру внутреннего пространства. Температура в других точках может быть иной.

- ✓ Холодильник начинает охлаждать внутреннее пространство.

**УКАЗАНИЕ**

При работе от аккумуляторной батареи дисплей автоматически отключается, если напряжение батареи становится слишком низким. Светодиод «POWER» мигает оранжевым светом.

**Блокировка холодильника (CF35, CF40)**

- Закройте крышку.
- Прижмите фиксатор (рис. **2** 1, стр. 3) вниз так, чтобы он зафиксировался с характерным щелчком.

**6.6 Настройка температуры**

- Нажмите кнопку «SET» (рис. **3** 4, стр. 3) один раз.
- Настройте кнопкой «UP +» (рис. **3** 6, стр. 3) или «DOWN -» (рис. **3** 7, стр. 3) температуру охлаждения.
- ✓ На дисплее на несколько секунд появляется настроенная температура охлаждения. Дисплей мигает несколько раз, прежде чем вернуться к отображению текущей температуры.

**6.7 Выключение холодильника**

- Опорожните холодильник.
- Выключите холодильник.
- Вытяните питающий кабель.

Если Вы не будете длительное время пользоваться холодильником:

- Оставьте крышку слегка открытой. Это предотвращает образование запахов.

## 6.8 Оттаивание холодильника

Влага из воздуха может выпадать на испарителе или в камере холодильника в виде снеговой шубы, которая уменьшает холодопроизводительность. Своевременно оттаивайте прибор.



### **ВНИМАНИЕ! Опасность повреждений прибора!**

Для удаления слоя льда и отделения примерзших продуктов не используйте твердые или острые инструменты.

При оттаивании холодильника соблюдайте следующий порядок действий:

- Выньте охлаждаемые продукты.
- При необходимости, переложите их в другой холодильник, чтобы они оставались холодными.
- Отключите прибор.
- Оставьте крышку открытой.
- Вытрите оттаявшую воду.

## 6.9 Замена предохранителя прибора



### **ОПАСНОСТЬ! Опасность для жизни вследствие поражения электрическим током!**

Перед заменой предохранителя прибора вытяните питающий кабель.

- Вытяните питающий кабель.
- Выньте вставку предохранителя (рис. **4** 2, стр. 4), например, отверткой.
- Замените неисправный предохранитель на новый с теми же параметрами (T4AL 250 В).
- Вставьте вставку предохранителя в корпус.

## 6.10 Замена предохранителя штекера (12/24 В)

- Снимите компенсационную втулку (рис. **7** 4, стр. 5) со штекера.
- Вывинтите винт (рис. **7** 5, стр. 5) из верхней половины корпуса (рис. **7** 1, стр. 5).



- Осторожно снимите верхнюю половину корпуса с нижней (рис. **7** 6, стр. 5).
- Вытяните контактный штырь (рис. **7** 3, стр. 5).
- Замените неисправный предохранитель (рис. **7** 2, стр. 5) на новый с теми же параметрами (8 А 32 В).
- Соберите штекер в обратной последовательности.



#### **ПРИМЕЧАНИЕ – Внутренний предохранитель постоянного тока**

Внутри устройства имеется дополнительный предохранитель постоянного тока (стандартный автомобильный плоский предохранитель, 10 А). Замену предохранителя разрешается выполнять только авторизованному сервисному центру.

## 6.11 Замена лампы

- Прижмите контактный штифт (рис. **8** 2, стр. 5) вниз так, чтобы можно было снять прозрачную часть (рис. **8** 1, стр. 5) светильника.
- Замените лампу.



#### **УКАЗАНИЕ**

Светодиоды в лампе должны быть обращены к прозрачной части светильника.

- Установите прозрачную часть светильника в корпус.

## 7 Чистка и уход



#### **ПРЕДУПРЕЖДЕНИЕ!**

Перед чисткой и уходом всегда отсоединяйте прибор от сети.



#### **ВНИМАНИЕ! Опасность повреждения!**

- Категорически запрещается чистить прибор под струей воды или даже в емкости с водой.
- Не используйте для чистки абразивные чистящие средства или острые предметы, т. к. они могут привести к повреждениям холодильника.

- Периодически очищайте прибор снаружи и изнутри влажной тряпкой.
- Убедитесь в том, что приточно-вытяжные вентиляционные отверстия очищены от пыли загрязнений, чтобы можно было отвести возникающее при работе тепло и предотвратить опасность повреждения прибора.

## 8 Гарантия

Действителен установленный законом срок гарантии. Если продукт неисправен, обратитесь в представительство изготовителя в Вашей стране (адреса см. на оборотной стороне инструкции) или в торговую организацию.

В целях проведения ремонта или гарантийного обслуживания Вы должны также послать следующие документы:

- копию счета с датой покупки,
- причину рекламации или описание неисправности.

## 9 Устранение неисправностей

Неисправность	Возможная причина	Вариант устранения
Прибор не работает, светодиод не горит.	В розетке 12/24 В (прикуривателе) в автомобиле отсутствует напряжение.	В большинстве автомобилей для подачи напряжения на прикуриватель необходимо включить зажигание.
	Отсутствует напряжение в розетке переменного тока.	Попробуйте присоединить прибор к другой розетке.
	Неисправен предохранитель прибора.	Замените предохранитель прибора, см. гл. «Замена предохранителя прибора» на стр. 208.
	Поврежден встроенный блок питания от сети.	Ремонт разрешается выполнять только авторизованному сервисному центру.
Прибор не охлаждает (штекер вставлен, светодиод «POWER» горит).	Неисправен компрессор.	Ремонт разрешается выполнять только авторизованному сервисному центру.

Неисправность	Возможная причина	Вариант устранения
Прибор не охлаждает (штекер вставлен, светодиод «POWER» мигает оранжевым светом, дисплей выключен).	Недостаточное напряжение батареи.	Проверьте батарею и, при необходимости, зарядите ее.
При работе от гнезда постоянного тока: Зажигание включено, прибор не работает, светодиод не горит.	Гнездо постоянного тока загрязнено. Это ведет к плохому электрическому контакту.	Если вилка сильно нагревается в гнезде постоянного тока, то, возможно, загрязнено гнездо или неправильно собрана вилка.
	Перегорел предохранитель вилки постоянного тока.	Замените предохранитель штекера постоянного тока, см. гл. «Замена предохранителя штекера (12/24 В)» на стр. 208.
	Перегорел предохранитель постоянного тока внутри устройства.	Ремонт разрешается выполнять только авторизованному сервисному центру.
Перегорел предохранитель в бортовой сети автомобиля.	Перегорел предохранитель в бортовой сети автомобиля.	Заменить предохранитель постоянного тока в бортовой сети автомобиля. Обратитесь к инструкции по эксплуатации вашего автомобиля.
	Внутренний сбой отключил прибор.	Ремонт разрешается выполнять только авторизованному сервисному центру.
На дисплее отображается сообщение об ошибке (например, «Err1»), и прибор не охлаждает.	Внутренний сбой отключил прибор.	Ремонт разрешается выполнять только авторизованному сервисному центру.

## 10 Утилизация

- По возможности, выкидывайте упаковочный материал в мусор, подлежащий вторичной переработке.



Если Вы окончательно выводите продукт из эксплуатации, то получите информацию в ближайшем центре по вторичной переработке или в торговой сети о соответствующих предписаниях по утилизации.

# 11 Технические данные

	<b>CF35</b>	<b>CF40</b>
Подводимое напряжение:	12/24 В $\equiv$ и 100 – 240 В $\sim$	
Номинальный ток:		
– 12 В $\equiv$ :	6,0 А	6,0 А
– 24 В $\equiv$ :	3,0 А	3,0 А
– 100 – 240 В $\sim$ :	от 1,3 до 0,7 А	от 1,3 до 0,7 А
Холодопроизводительность:	от +10 °С до –18 °С (от +50 °F до 0 °F)	
Категория:	1	1
Класс энергоэффективности:	A+	A+
Потребление энергии:	92 кВт*ч/год	101 кВт*ч/год
Полезный объем:	31 л	37 л
Климатический класс:	N, ST, T	N, ST, T
Температура окружающей среды:	+16 °С – +43 °С	+16 °С – +43 °С
Акустическая эмиссия:	45 dB(A)	45 dB(A)
Количество хладагента:	38 г	41 г
Эквивалент CO <sub>2</sub> :	0,054 т	0,059 т
Потенциал глобального потепления (GWP):	1430	
Размеры (ШxВxГ) в мм:	580 x 385 x 360	580 x 445 x 360
Вес:	15 кг	16 кг

	<b>CF50</b>
Подводимое напряжение:	12/24 В $\equiv$ и 100 – 240 В $\sim$
Номинальный ток:	
– 12 В $\equiv$ :	7,0 А
– 24 В $\equiv$ :	3,0 А
– 100 – 240 В $\sim$ :	от 1,3 до 0,7 А
Холодопроизводительность:	от +10 °С до –18 °С (от +50 °F до 0 °F)
Категория:	1
Класс энергоэффективности:	A+
Потребление энергии:	110 кВт*ч/год
Полезный объем:	47 л
Климатический класс:	N, ST, T
Температура окружающей среды:	+16 °С – +43 °С
Акустическая эмиссия:	45 dB(A)
Количество хладагента:	41 г
Эквивалент CO <sub>2</sub> :	0,059 т
Потенциал глобального потепления (GWP):	1430
Размеры (ШxВxГ) в мм:	630 x 480 x 360
Вес:	18 кг

**УКАЗАНИЕ**

При температурах окружающего воздуха свыше 32 °С минимальная температура более не может быть достигнута.

Испытания/сертификаты:



Холодильный контур содержит R134a.

Содержит фторированные парниковые газы

Герметически закрытая конструкция

**WPrzed uruchomieniem urządzenia należy uważnie przeczytać niniejszą instrukcję. Instrukcję należy zachować. Należy ją dołączyć do urządzenia chłodniczego w razie jego przekazania innemu użytkownikowi.**

Producent nie odpowiada za szkody powstałe w **wyniku użytkowania niezgodnego z przeznaczeniem** lub **niewłaściwej obsługi**.

## Spis treści

<b>1</b>	<b>Objaśnienia symboli</b> .....	215
<b>2</b>	<b>Zasady bezpieczeństwa</b> .....	215
2.1	Ogólne bezpieczeństwo .....	215
2.2	Bezpieczeństwo podczas eksploatacji urządzenia .....	217
<b>3</b>	<b>Zakres dostawy</b> .....	218
<b>4</b>	<b>Użytkowanie zgodne z przeznaczeniem</b> .....	218
<b>5</b>	<b>Opis funkcji</b> .....	218
5.1	Zakres funkcji .....	219
5.2	Elementy obsługi i wskaźników .....	219
<b>6</b>	<b>Obsługa</b> .....	220
6.1	Przed pierwszym użyciem .....	220
6.2	Rady dotyczące oszczędzania energii .....	221
6.3	Podłączanie lodówki .....	222
6.4	Użycie czujnika ochrony akumulatora .....	223
6.5	Eksploatacja przenośnej lodówki .....	224
6.6	Ustawianie temperatury .....	225
6.7	Wyłączanie lodówki przenośnej .....	225
6.8	Odszranianie lodówki przenośnej .....	226
6.9	Wymiana bezpiecznika urządzenia .....	226
6.10	Wymiana bezpiecznika wtyczki (12/24 V) .....	226
6.11	Wymiana żarnika .....	227
<b>7</b>	<b>Czyszczenie</b> .....	227
<b>8</b>	<b>Gwarancja</b> .....	228
<b>9</b>	<b>Usuwanie usterek</b> .....	228
<b>10</b>	<b>Utylizacja</b> .....	229
<b>11</b>	<b>Dane techniczne</b> .....	230

# 1 Objąśnienia symboli

**NIEBEZPIECZEŃSTWO!**

**Wskazówka dot. bezpieczeństwa:** Nieprzestrzeganie powoduje śmierć lub ciężkie obrażenia ciała.

**OSTRZEŻENIE!**

**Wskazówka dot. bezpieczeństwa:** Nieprzestrzeganie może prowadzić do śmierci lub ciężkich obrażeń ciała.

**OSTROŻNIE!**

**Wskazówka dot. bezpieczeństwa:** Nieprzestrzeganie może prowadzić do obrażeń ciała.

**UWAGA!**

Nieprzestrzeganie może prowadzić do powstania szkód materialnych i zakłóceń w działaniu produktu.

**WSKAZÓWKA**

Informacje uzupełniające dot. obsługi produktu.

## 2 Zasady bezpieczeństwa

### 2.1 Ogólne bezpieczeństwo

**OSTRZEŻENIE!**

- Uruchamianie urządzenia jest zabronione, gdy ma ono widoczne uszkodzenia.
- Gdy przewód zasilania ulegnie uszkodzeniu, musi zostać wymieniony przez producenta, jego serwis lub podobnie wykwalifikowaną osobę, aby uniknąć zagrożenia.
- Napraw mogą dokonywać tylko odpowiednio wykwalifikowane osoby. Niefachowe naprawy mogą spowodować poważne niebezpieczeństwo.

- Dzieci od 8 roku życia i osoby o ograniczonych możliwościach fizycznych, sensorycznych lub umysłowych oraz/lub osoby niedysponujące stosowną wiedzą i doświadczeniem mogą użytkować to urządzenie, o ile osoby te znajdują się pod nadzorem lub zostały poinstruowane w zakresie bezpiecznego użytkowania urządzenia i zrozumiały ewentualne zagrożenia wynikające z niewłaściwego użytkowania.
- Dzieci nie mogą również czyścić i konserwować urządzenia bez nadzoru.
- Dzieci nie mogą bawić się urządzeniem.
- Należy dopilnować, aby dzieci nie bawiły się urządzeniem.
- Urządzenie należy stosować i przechowywać poza zasięgiem dzieci poniżej 8 roku życia.
- W urządzeniu nie wolno przechowywać substancji wybuchowych, np. pojemników aerozolowych z palnym gazem wyłaczającym.

**OSTROŻNIE!**

- Urządzenie należy odłączyć od sieci
  - przed każdym czyszczeniem i konserwacją
  - po każdym użyciu
- Środki spożywcze mogą być przechowywane tylko w oryginalnych opakowaniach lub odpowiednich pojemnikach.

**UWAGA!**

- Należy porównać dane dotyczące napięcia na tabliczce znamionowej z danymi dostępnego źródła zasilania.
- Urządzenie można podłączać tylko w następujący sposób:
  - do gniazda pokładowego prądu stałego pojazdu za pomocą przewodu przyłączeniowego prądu stałego
  - lub za pomocą przewodu przyłączeniowego prądu przemiennego do sieci prądu przemiennego
- Wtyczki nie należy nigdy wyciągać z gniazda zapalniczki samochodowej ani gniazdko elektrycznego, pociągając za przewód zasilania.
- Jeśli przenośna lodówka jest podłączona do gniazdko DC: Przed podłączeniem do ładowarki należy odłączyć lodówkę i inne urządzenia od akumulatora.
- Jeśli przenośna lodówka jest podłączona do gniazdko DC: Wyłączając silnik należy odłączyć urządzenie lub je wyłączyć. W przeciwnym razie akumulator może się rozładować.



- Przenośna lodówka nie nadaje się do transportu substancji żrących lub zawierających rozpuszczalniki!
- Izolacja tego urządzenia chłodniczego zawiera cyklopentan. Znajdujące się w materiale izolacyjnym gazy wymagają specjalnej procedury utylizacyjnej. Nienadające się do dalszej eksploatacji urządzenie chłodnicze należy dostarczyć do specjalistycznego zakładu utylizacyjnego.

## 2.2 Bezpieczeństwo podczas eksploatacji urządzenia



### **OSTROŻNIE!**

- Przed użyciem należy sprawdzić, czy przewód i wtyczka są suche.



### **UWAGA!**

- Wewnątrz przenośnej lodówki nie należy używać żadnych urządzeń elektrycznych – z wyjątkiem urządzeń zaleconych przez producenta.
- Nie należy ustawiać urządzenia w pobliżu otwartego ognia i innych źródeł ciepła (ogrzewanie, silne promieniowanie słoneczne, piec gazowy itp.).
- **Niebezpieczeństwo przegrzania!**  
Należy zawsze pamiętać, że ciepło powstające przy eksploatacji musi być odpowiednio odprowadzone. Należy zadbać o to, aby urządzenie stało w odpowiedniej odległości od ścian lub przedmiotów, tak by możliwa była cyrkulacja powietrza.
- Należy uważać, aby nie zakrywać otworów wentylacyjnych.
- Wypełnianie wewnętrznego pojemnika cieczami i lodem jest zabronione.
- Zanurzanie urządzenia w wodzie jest zabronione.
- Urządzenie i przewody należy chronić przed wysoką temperaturą i wilgocią.

### 3 Zakres dostawy

Nr na rys. <b>1</b> , strona 3	Ilość	Nazwa
1	1	Lodówka przenośna
2	1	Przewód przyłączeniowy do gniazda 12/24 V $\equiv$
3	1	Przewód przyłączeniowy do gniazda 100 – 240 V $\sim$
4	2	Uchwyt składający się z: <ul style="list-style-type: none"> <li>– 2 elementów mocowanych do ścianki urządzenia</li> <li>– 1 drążka</li> <li>– 4 śrub mocujących</li> </ul>
–	1	Instrukcja obsługi

### 4 Użytkowanie zgodne z przeznaczeniem

Lodówka przenośna jest przeznaczona do chłodzenia i mrożenia artykułów spożywczych. Urządzenie nadaje się również do używania na łodziach.

Urządzenie jest przeznaczone do stosowania z gniazdem samochodu 12 V $\equiv$  lub 24 V $\equiv$  (np. gniazdo zapalniczki), łodzi lub samochodu kempingowego oraz z siecią prądu przemiennego 100 – 240 V $\sim$ .



#### **OSTROŻNIE! Zagrożenie zdrowia!**

Należy sprawdzić, czy wydajność chłodzenia odpowiada wymaganiom związanym z przechowywaną żywnością lub lekami.

### 5 Opis funkcji

Lodówka przenośna może chłodzić, utrzymywać w chłodzie i zamrażać artykuły. Chłodzenie odbywa się za pomocą bezobsługowego obiegu chłodzenia z kompresorem. Bardzo dobra izolacja i wydajny kompresor zapewniają wyjątkowo szybkie chłodzenie.

Lodówka przenośna to urządzenie mobilne.

Podczas stosowania urządzenia na łodziach przechył ciągły może wynosić maksymalnie 30°.

## 5.1 Zakres funkcji

- Zasilacz z włączaniem priorytetowym do podłączania do napięcia przemiennego
- Trzypoziomowy czujnik ochrony akumulatora do zabezpieczenia akumulatora pojazdu
- Tryb turbo do szybszego chłodzenia
- Wyświetlacz ze wskaźnikiem temperatury wyłączający się automatycznie w przypadku niskiego napięcia akumulatora
- Regulacja temperatury: z dwoma klawiszami; dwie opcje wyświetlania – °C lub °F
- Uchwyty do zamontowania

## 5.2 Elementy obsługi i wskaźników

### CF35, CF40

Blokada pokrywy: rys. **2** 1, strona 3

### CF35, CF40, CF50

Panel sterowania (rys. **3**, strona 3)

Poz.	Nazwa	Legenda	
1	ON/OFF (włącz/wyłącz)	Włącza lub wyłącza przenośną lodówkę, gdy przycisk jest naciskany przez jedną do dwóch sekund	
2	POWER (zasilanie)	Wskaźnik trybu pracy	
		Dioda LED świeci się na zielono:	Kompresor jest włączony
		Dioda LED świeci się na pomarańczowo:	Kompresor jest wyłączony
	Dioda LED mruga pomarańczowym światłem:	Wyświetlacz został automatycznie wyłączony z powodu niskiego napięcia akumulatora	
3	ERROR (błąd)	Dioda LED miga czerwonym światłem:	Włączone urządzenia nie jest gotowe do użycia

Poz.	Nazwa	Legenda
4	SET (ustawienia)	Wybiera tryb wprowadzania – Regulacja temperatury – Określenie trybu wprowadzania °Celsiusz lub °Fahrenheit – Ustawianie czujników ochrony akumulatora
5	–	Wyświetlacz prezentuje wartości
6	UP + (zwiększ)	Jednorazowe naciśnięcie podwyższa wybraną wartość wejściową
7	DOWN – (zmniejsz)	Jednorazowe naciśnięcie obniża wybraną wartość wejściową

Gniazda przyłączeniowe (rys. **4**, strona 4):

Poz.	Nazwa
1	Gniazdo przyłączeniowe zasilania napięciem przemiennym
2	Gniazdo bezpiecznika
3	Gniazdo przyłączeniowe zasilania napięciem stałym

## 6 Obsługa

### 6.1 Przed pierwszym użyciem



#### WSKAZÓWKA

Przed pierwszym użyciem lodówki należy, ze względów higienicznych, wyczyścić ją od wewnątrz i z zewnątrz wilgotną ściereczką (patrz również rozdz. „Czyszczenie” na stronie 227).

#### Montowanie uchwytu

Elementy mocowania są dostarczane luzem. W celu ich zamontowania, należy postępować w następujący sposób:

- Złożyć ze sobą dwa elementy mocowania (rys. **5** 1, strona 4) i drążek (rys. **5** 2, strona 4), tak aby tworzyły uchwyt.
- Umieścić uchwyt za pomocą dołączonych śrub w odpowiednich otworach.

### Przekładanie ogranicznika otworu pokrywy (CF50)

Jeżeli pokrywa powinna się otwierać z innej strony, można przełożyć ogranicznik otworu pokrywy. W tym celu należy postąpić w następujący sposób:

- Otworzyć pokrywę i ją wyciągnąć (rys. **6** A, strona 5).
- Obrócić pokrywę.
- Ustawić pokrywę w oprawie po przeciwległej stronie przenośnej lodówki (rys. **6** B, strona 5).

### Wybór jednostki temperatury

Przy ustawianiu temperatury można wybrać wartości wyrażone w stopniach Celsjusza i Fahrenheita. W tym celu należy postąpić w następujący sposób:

- Włączyć przenośną lodówkę.
  - Dwukrotnie nacisnąć klawisz „SET” (rys. **3** 4, strona 3).
  - Za pomocą klawiszy „UP +” (rys. **3** 6, strona 3) lub „DOWN –” (rys. **3** 7, strona 3) ustawić jednostkę temperatury °Celsiusz lub °Fahrenheit.
- ✓ Na wyświetlaczu przez kilka sekund przedstawiona jest ustawiona jednostka temperatury. Wyświetlacz kilkakrotnie mruga przed wyświetleniem aktualnej temperatury.

## 6.2 Rady dotyczące oszczędzania energii

- Wybierz miejsce z dobrą wentylacją, nienarażone na promieniowanie słoneczne.
- Schłódź ciepłe potrawy przed ich włożeniem do urządzenia.
- Nie otwieraj lodówki częściej niż jest to konieczne.
- Nie zostawiaj otwartej lodówki dłużej niż to jest konieczne.
- Lodówkę należy odszraniać zaraz po wytworzeniu się warstwy lodu.
- Unikaj zbyt niskiej temperatury wewnętrznej.

## 6.3 Podłączanie lodówki

### Podłączanie do akumulatora (pojazdu lub łodzi)

Przenośną lodówkę można eksploatować przy napięciu stałym wynoszącym 12 V lub 24 V.



#### **UWAGA! Niebezpieczeństwo uszkodzenia urządzenia!**

Przed ładowaniem akumulatora za pomocą ładowarki należy odłączyć od niego lodówkę lub inne odbiorniki prądu. Przepięcia mogą uszkodzić elektronikę urządzeń.

Przenośną lodówkę wyposażono w zabezpieczenie chroniące przed nieprawidłowym połączeniem biegunów przy podłączeniu akumulatora oraz przed zwarcieniem.

- ▶ Włóż przewód przyłączeniowy 12/24 V (rys. **1** 2, strona 3) do gniazda napięcia przemiennego i podłącz go do gniazda zapalniczki bądź gniazda 12 V lub 24 V.

### Podłączanie do sieci prądu przemiennego 100 – 240 V (np. w domu lub biurze)



#### **NIEBEZPIECZEŃSTWO! Zagrożenie życia w wyniku porażenia prądem!**

- Zabronione jest manipulowanie wtyczkami i wyłącznikami wilgotnymi rękoma lub stojąc na mokrej powierzchni.
- W przypadku korzystania z przenośnej lodówki na pokładzie statku przy zastosowaniu przyłącza ładowego do sieci prądu przemiennego 100 – 240 V konieczne jest włączenie bezpiecznika FI pomiędzy tą siecią a lodówką. Należy skorzystać z porady specjalisty.

Przenośne lodówki są wyposażone w zintegrowany przełącznik z uniwersalnym napięciem z funkcją przełączania priorytetowego służący do podłączania do napięcia przemiennego 100 – 240 V. Dzięki przełączaniu priorytetowemu następuje automatyczne przełączenie na zasilanie sieciowe, jeżeli urządzenie jest podłączone do sieci prądu przemiennego 100 – 240 V, również wtedy, gdy przewód przyłączeniowy 12/24 V jest wciąż jeszcze podłączony.

Podczas przełączania między siecią prądu przemiennego a zasilaniem akumulatora przez kilka minut może się świecić czerwona dioda LED.

- ▶ Włóż przewód przyłączeniowy 100 – 240 V (rys. **1** 3, strona 3) do gniazda prądu przemiennego i podłącz do sieci prądu przemiennego 100 – 240 V.

## 6.4 Użycie czujnika ochrony akumulatora

Urządzenie jest wyposażone w wielopoziomowy czujnik ochrony akumulatora, który przy podłączaniu do gniazda wtykowego 12/24 V chroni akumulator pojazdu przed nadmiernym rozładowaniem.

Jeżeli lodówka jest eksploatowana przy wyłączonym zapłonie w pojeździe, wyłączy się samodzielnie, gdy napięcie spadnie poniżej możliwej do ustawienia wartości. Lodówka włączy się ponownie, gdy poprzez naładowanie akumulatora uzyskane zostanie napięcie wystarczające do ponownego włączenia.



### UWAGA! Ryzyko uszkodzenia!

Po wyłączeniu akumulatora przez jego czujniki ochrony nie ma on już swojej pełnej ładowności, należy więc unikać wielokrotnego uruchamiania lub eksploataowania odbiorników energii bez dłuższych faz ładowania. Należy pamiętać o ponownym naładowaniu akumulatora.

W trybie „HIGH” czujniki akumulatora reagują szybciej niż na poziomie „LOW” i „MED” (patrz poniższa tabela).

Tryb czujnika ochrony akumulatora	LOW	MED	HIGH
Napięcie wyłączeniowe przy 12 V	10,1 V	11,4 V	11,8 V
Napięcie ponownego włączenia przy 12 V	11,1 V	12,2 V	12,6 V
Napięcie wyłączeniowe przy 24 V	21,5 V	24,1 V	24,6 V
Napięcie ponownego włączenia przy 24 V	23,0 V	25,3 V	26,2 V

W celu zmiany trybu czujnika ochrony akumulatora należy postępować w następujący sposób:

- ▶ Włączyć przenośną lodówkę.
- ▶ Trzykrotnie nacisnąć klawisz „SET” (rys. **3** 4, strona 3).
- ▶ Za pomocą klawiszy „UP +” (rys. **3** 6, strona 3) lub „DOWN –” (rys. **3** 7, strona 3), ustawić tryb czujnika ochrony akumulatora.
- ✓ Na wyświetlaczu przez kilka sekund przedstawiony jest ustawiony tryb. Wyświetlacz kilkakrotnie mruga przed wyświetleniem aktualnej temperatury.

**WSKAZÓWKA**

Jeżeli lodówka jest zaopatrzona w baterię rozruchową, należy wybrać tryb „HIGH” czujnika ochrony akumulatora. Jeżeli lodówka jest podłączona do akumulatora, wystarczający jest tryb „LOW” czujnika ochrony akumulatora.

W przypadku gdy lodówka ma być eksploatowana w sieci prądu przemiennego, należy ustawić czujniki akumulatora na „LOW”.

## 6.5 Eksploatacja przenośnej lodówki

**UWAGA! Niebezpieczeństwo przegrzania!**

Należy zawsze pamiętać, że ciepło powstające przy eksploatacji musi być odpowiednio odprowadzane. Należy uważać, aby nie zakryć otworu wentylacyjnego. Należy zadbać o to, aby urządzenie stało w odpowiedniej odległości od ścian lub przedmiotów, tak by możliwa była cyrkulacja powietrza.

- ▶ Przenośną lodówkę postaw na stałym podłożu. Trzeba pamiętać, aby nie były zakryte otwory wentylacyjne, przez które może uchodzić nagrzane powietrze.

**WSKAZÓWKA**

Przenośną lodówkę należy ustawić w sposób przedstawiony na (rys. **1**, strona 3). Eksploatowanie lodówki w innej pozycji może spowodować jej uszkodzenie.

- ▶ Podłącz lodówkę, patrz rozdz. „Podłączanie lodówki” na stronie 222.

**WSKAZÓWKA**

W przypadku gdy lodówka ma być eksploatowana w sieci prądu przemiennego, należy ustawić czujniki akumulatora na „LOW”.

**UWAGA! Zagrożenie spowodowane zbyt niską temperaturą!**

Należy uważać, aby w lodówce znajdowały się tylko rzeczy lub produkty, które mogą być chłodzone do wybranej temperatury.

- ▶ Naciskaj przycisk „ON/OFF” (rys. **3** 1, strona 3) przez jedną do dwóch sekund.
- ✓ Świeci się dioda LED „POWER”.
- ✓ Wyświetlacz (rys. **3** 5, strona 3) włącza się i przedstawia aktualną temperaturę chłodzenia.



**WSKAZÓWKA**

Wskazywana jest temperatura panująca pośrodku komory urządzenia. Temperatura panująca w innych miejscach może się różnić od wskazywanej.

- ✓ Przenośna lodówka zaczyna chłodzić komorę.

**WSKAZÓWKA**

W przypadku zasilania akumulatorem wyświetlacz automatycznie się wyłączy, jeżeli napięcie akumulatora będzie niskie. Dioda LED „POWER” miga pomarańczowym światłem.

**Zamykanie lodówki (CF35, CF40)**

- Zamknij pokrywę.
- Dociskaj blokadę (rys. **2** 1, strona 3) w dół do momentu, gdy słyszalne będzie jej zatrzaśnięcie.

**6.6 Ustawianie temperatury**

- Jednokrotnie naciśnij klawisz „SET” (rys. **3** 4, strona 3).
- Za pomocą klawiszy „UP +” (rys. **3** 6, strona 3) lub „DOWN -” (rys. **3** 7, strona 3) ustaw temperaturę chłodzenia.
- ✓ Na wyświetlaczu przez kilka sekund wyświetla się ustawiona wymagana temperatura chłodzenia. Wyświetlacz kilkakrotnie mruga przed wyświetleniem aktualnej temperatury.

**6.7 Wyłączanie lodówki przenośnej**

- Opróżnij lodówkę.
- Wyłącz lodówkę.
- Wyciągnij przewód przyłączeniowy.

W przypadku gdy lodówka nie będzie eksploatowana przez dłuższy czas, należy:

- Pozostawić pokrywę lekko otwartą. Dzięki temu nie wytworzą się nieprzyjemne zapachy.

## 6.8 Odszranianie lodówki przenośnej

Wilgotne powietrze może się osadzać na parowniku lub wewnątrz lodówki w postaci szronu, który ogranicza wydajność chłodzenia. Należy w odpowiednim czasie odszronić urządzenie.



### **UWAGA! Niebezpieczeństwo uszkodzenia urządzenia!**

Do usuwania warstw lodu i do oddzielania mocno zamrożonych artykułów od powierzchni zamrażarki nie należy używać twardych lub ostrych narzędzi.

Aby odszronić lodówkę przenośną, należy postępować w następujący sposób:

- Wyjąć chłodzone artykuły.
- Włożyć je do innego urządzenia chłodzącego, tak aby pozostały zimne.
- Wyłączyć urządzenie.
- Pozostawić otwartą pokrywę.
- Zetrzeć wodę powstałą w wyniku odszraniania.

## 6.9 Wymiana bezpiecznika urządzenia



### **NIEBEZPIECZEŃSTWO! Zagrożenie życia w wyniku porażenia prądem!**

Przed wymianą bezpiecznika urządzenia należy odłączyć przewód przyłączeniowy od źródła napięcia.

- Wyciągnij przewód przyłączeniowy ze źródła napięcia.
- Wyjmij wkładkę bezpiecznikową (rys. **4** 2, strona 4), np. za pomocą śrubokręta.
- Wymień wadliwy bezpiecznik na nowy o tej samej wartości (T4AL 250 V).
- Włóż wkładkę bezpiecznikową do obudowy.

## 6.10 Wymiana bezpiecznika wtyczki (12/24 V)

- Zdejmij tulejkę adaptera (rys. **7** 4, strona 5) z wtyczki.
- Wykręć śrubę (rys. **7** 5, strona 5) z górnej części obudowy wtyczki (rys. **7** 1, strona 5).
- Ostrożnie zdejmij górną część obudowy z dolnej (rys. **7** 6, strona 5).

- Wyjmij kołek wtykowy (rys. **7** 3, strona 5).
- Wymień wadliwy bezpiecznik (rys. **7** 2, strona 5) na nowy o tej samej wartości (8 A, 32 V).
- Złóż wtyczkę w odwrotnej do podanej powyżej kolejności.



#### **WSKAZÓWKA – Wewnętrzny bezpiecznik DC**

W urządzeniu znajduje się dodatkowy bezpiecznik prądu stałego (DC) (standardowy samochodowy bezpiecznik płaski, 10 A). Bezpiecznik ten może być wymieniony tylko w autoryzowanym zakładzie serwisowym.

## 6.11 Wymiana żarnika

- Naciśnij przełącznik (rys. **8** 2, strona 5), tak aby można było wyciągnąć do przodu przezroczystą część (rys. **8** 1, strona 5) lampy.
- Wymień żarnik.



#### **WSKAZÓWKA**

Diody LED w żarniku muszą być skierowane w stronę przezroczystej części lampy.

- Umieść przezroczystą część lampy w obudowie.

## 7 Czyszczenie



#### **OSTRZEŻENIE!**

Przed każdym czyszczeniem należy odłączyć urządzenie od sieci.



#### **UWAGA! Niebezpieczeństwo uszkodzenia!**

- Przenośnej lodówki nie wolno nigdy czyścić pod bieżącą wodą ani zamaczać w wodzie.
- Do czyszczenia nie należy używać agresywnych środków czyszczących ani twardych przedmiotów, gdyż mogą uszkodzić lodówkę.

- Obudowę należy czyścić od czasu do czasu wilgotną ściereczką od wewnątrz i na zewnątrz.
- Należy upewnić się, że otwory wentylacyjne urządzenia nie są zabrudzone ani zakurzone, aby możliwe było odprowadzanie ciepła podczas pracy urządzenia, co pozwoli uniknąć uszkodzenia urządzenia.

## 8 Gwarancja

Warunki gwarancji zostały opisane w Karcie Gwarancyjnej dołączonej do produktu.

W celu naprawy lub rozpatrzenia gwarancji konieczne jest przesłanie:

- kopii rachunku z datą zakupu,
- informacji o przyczynie reklamacji lub opisu wady.

## 9 Usuwanie usterek

Usterka	Możliwa przyczyna	Proponowane rozwiązanie
Urządzenie nie działa, nie świeci się dioda LED.	Brak napięcia w gnieździe 12/24 V pojazdu (gniazdo zapalniczki).	W większości pojazdów konieczne jest włączenie zapłonu, aby w gnieździe zapalniczki było napięcie.
	Brak napięcia w gnieździe prądu przemiennego.	Należy spróbować podłączyć urządzenie do innego gniazda wtykowego.
	Bezpiecznik urządzenia jest uszkodzony.	Należy wymienić bezpiecznik, zob. rozdz. „Wymiana bezpiecznika urządzenia” na stronie 226.
	Zintegrowany zasilacz jest uszkodzony.	Naprawę może wykonać tylko autoryzowany serwis.
Urządzenie nie chłodzi (wtyczka jest włożona, świeci się dioda LED „POWER”).	Uszkodzony kompresor.	Naprawę może wykonać tylko autoryzowany serwis.
Urządzenie nie chłodzi (wtyczka jest włożona, dioda LED „POWER” miga pomarańczowym światłem, wyświetlacz jest wyłączony).	Napięcie akumulatora jest niewystarczające.	Należy sprawdzić akumulator i ewentualnie go naładować.

Usterka	Możliwa przyczyna	Proponowane rozwiązanie
<p>Podczas zasilania z gniazda prądu stałego:</p> <p>Zapłon jest włączony, urządzenie nie działa, nie świeci się dioda LED.</p>	<p>Gniazdo prądu stałego jest zabrudzone. Powoduje to nieprawidłowy styk elektryczny.</p> <p>Bezpiecznik wtyczki prądu stałego jest przepalony.</p>	<p>Gdy wtyczka lodówki w gnieździe prądu stałego jest zbyt ciepła, należy oczyścić gniazdo. Innym powodem może być nieprawidłowo zmontowana wtyczka.</p> <p>Wymienić bezpiecznik we wtyczce prądu stałego, patrz rozdz. „Wymiana bezpiecznika wtyczki (12/24 V)” na stronie 226.</p>
	<p>Bezpiecznik DC w urządzeniu jest przepalony.</p>	<p>Naprawę może wykonać tylko autoryzowany zakład serwisowy.</p>
	<p>Bezpiecznik pojazdu jest przepalony.</p>	<p>Wymienić bezpiecznik w gnieździe prądu stałego pojazdu. Patrz instrukcja obsługi pojazdu.</p>
<p>Na wyświetlaczu wyświetla się komunikat o błędzie (np. „Err1”) i urządzenie nie chłodzi.</p>	<p>Usterki w działaniu spowodowały wyłączenie urządzenia.</p>	<p>Naprawę może wykonać tylko autoryzowany serwis.</p>

## 10 Utylizacja

- ▶ Opakowanie należy wyrzucić do odpowiedniego pojemnika na śmieci do recyklingu.



Jeżeli produkt nie będzie dłużej eksploatowany, koniecznie dowiedz się w najbliższym zakładzie recyklingu lub w specjalistycznym sklepie, jakie są aktualnie obowiązujące przepisy dotyczące utylizacji.

# 11 Dane techniczne

	<b>CF35</b>	<b>CF40</b>
Zasilanie:	12/24 V $\equiv$ i 100 – 240 V $\sim$	
Prąd znamionowy:		
– 12 V $\equiv$ :	6,0 A	6,0 A
– 24 V $\equiv$ :	3,0 A	3,0 A
– 100 – 240 V $\sim$ :	od 1,3 do 0,7 A	od 1,3 do 0,7 A
Zakres temperatury chłodzenia:	+10 °C do –18 °C (od +50 °F do 0 °F)	
Kategoria:	1	1
Klasa energetyczna:	A+	A+
Zużycie energii:	92 kWh/rok	101 kWh/rok
Pojemność użytkowa:	31 l	37 l
Klasa klimatyczna:	N, ST, T	N, ST, T
Temperatura otoczenia:	+16 °C – +43 °C	+16 °C – +43 °C
Emisja hałasu:	45 dB(A)	45 dB(A)
Ilość czynnika chłodzącego:	38 g	41 g
Ekwiwalent CO <sub>2</sub> :	0,054 t	0,059 t
Potencjał tworzenia efektu cieplarnianego (GWP):	1430	
Wymiary (szer. x wys. x gł.) w mm:	580 x 385 x 360	580 x 445 x 360
Waga:	15 kg	16 kg

	<b>CF50</b>
Zasilanie:	12/24 V $\equiv$ i 100 – 240 V $\sim$
Prąd znamionowy:	
– 12 V $\equiv$ :	7,0 A
– 24 V $\equiv$ :	3,0 A
– 100 – 240 V $\sim$ :	od 1,3 do 0,7 A
Zakres temperatury chłodzenia:	+10 °C do –18 °C (od +50 °F do 0 °F)
Kategoria:	1
Klasa energetyczna:	A+
Zużycie energii:	110 kWh/rok
Pojemność użytkowa:	47 l
Klasa klimatyczna:	N, ST, T
Temperatura otoczenia:	+16 °C – +43 °C
Emisja hałasu:	45 dB(A)
Ilość czynnika chłodzącego:	41 g
Ekwiwalent CO <sub>2</sub> :	0,059 t
Potencjał tworzenia efektu cieplarnianego (GWP):	1430
Wymiary (szer.x wys. x gł.) w mm:	630 x 480 x 360
Waga:	18 kg

**WSKAZÓWKA**

Przy temperaturze otoczenia wynoszącej powyżej 32 °C (90 °F) nie można osiągnąć minimalnej temperatury.

Kontrola/certyfikaty:



Obieg chłodzący zawiera R134a.

Zawiera fluorowane gazy cieplarniane

Hermeticznie zamknięte urządzenie

**Pred uvedením zariadenia do prevádzky si prosím pozorne prečítajte tento návod a odložte si ho. V prípade odovzdania chladiaceho zariadenia ďalšiemu používateľovi mu odovzdajte aj tento návod.**

Výrobca neručí za škody, ktoré vzniknú používaním, ktoré **nie je v súlade s určeným použitím** alebo boli spôsobené **nesprávnou obsluhou**.

## Obsah

<b>1</b>	<b>Vysvetlenie symbolov</b> .....	233
<b>2</b>	<b>Bezpečnostné pokyny</b> .....	233
2.1	Všeobecná bezpečnosť' .....	233
2.2	Bezpečnosť' pri prevádzke zariadenia .....	235
<b>3</b>	<b>Obsah dodávky</b> .....	235
<b>4</b>	<b>Používanie v súlade s určením</b> .....	236
<b>5</b>	<b>Opis činnosti</b> .....	236
5.1	Rozsah funkcií' .....	236
5.2	Ovládacie a indikačné prvky .....	237
<b>6</b>	<b>Obsluha</b> .....	238
6.1	Pred prvým použitím .....	238
6.2	Tipy na úsporu energie .....	239
6.3	Pripojenie chladiaceho boxu .....	239
6.4	Používanie kontrolného snímača stavu batérie .....	240
6.5	Používanie chladiaceho boxu .....	241
6.6	Nastavenie teploty .....	242
6.7	Vypnutie chladiaceho boxu .....	242
6.8	Odmrazenie chladiaceho boxu .....	242
6.9	Výmena poistky prístroja .....	243
6.10	Výmena konektorovej poistky (12/24 V) .....	243
6.11	Výmena osvetľovacieho telesa .....	244
<b>7</b>	<b>Čistenie a ošetrovanie</b> .....	244
<b>8</b>	<b>Záruka</b> .....	245
<b>9</b>	<b>Odstránenie poruchy</b> .....	245
<b>10</b>	<b>Likvidácia</b> .....	246
<b>11</b>	<b>Technické údaje</b> .....	247



# 1 Vysvetlenie symbolov



## NEBZPEČENSTVO!

**Bezpečnostný pokyn:** Nerešpektovanie vedie k smrti alebo k ťažkému zraneniu.



## VÝSTRAHA!

**Bezpečnostný pokyn:** Nerešpektovanie môže viesť k smrti alebo k ťažkému zraneniu.



## UPOZORNENIE!

**Bezpečnostný pokyn:** Nerešpektovanie môže viesť k zraneniam.



## POZOR!

Nerešpektovanie môže viesť k materiálnym škodám a môže ovplyvniť funkciu zariadenia.



## POZNÁMKA

Doplňujúce informácie k obsluhu výrobku.

# 2 Bezpečnostné pokyny

## 2.1 Všeobecná bezpečnosť



### VÝSTRAHA!

- Ak zariadenie vykazuje očividné poškodenia, nesmiete ho uviesť do prevádzky.
- Ak sa poškodí pripojovací kábel tohoto zariadenia, musí ho vymeniť výrobca, služba zákazníkom alebo podobne kvalifikovaná osoba, aby sa zabránilo ohrozeniu.
- Opravy tohoto zariadenia smú robiť len odborníci. Neodbornými opravami môžu vzniknúť značné nebezpečenstvá.
- Prístroj smú používať deti od 8 rokov a osoby so zníženými psychickými, zmyslovými alebo mentálnymi schopnosťami a vedomosťami, keď sú pod dozorom alebo keď boli poučené o bezpečnom používaní prístroja a keď chápu, aké riziká z toho vyplývajú.
- Čistenie a bežnú údržbu nesmú deti vykonávať bez dozoru.

- Deti sa nesmú hrať s prístrojom.
- Deti musia byť pod dozorom, aby bolo zabezpečené, že sa so zariadením nebudú hrať.
- Prístroj odkladajte a používajte mimo dosahu detí mladších ako 8 rokov.
- V prístroji neuskladňujte látky, pri ktorých hrozí nebezpečenstvo výbuchu, napr. sprejové nádoby s hnacím plynom.

**UPOZORNENIE!**

- Odpojte zariadenie z el. siete
  - pred každým čistením a ošetrovaním
  - po každom použití
- Potraviny sa smú uskladniť len v originálnom balení alebo vo vhodných nádobách.

**POZOR!**

- Porovnajzte údaj o napätí na typovom štítku s prívodom el. energie, ktorý máte k dispozícii.
- Chladiace zariadenie pripájajte iba nasledovne:
  - pripájacím káblom na jednosmerný prúd palubnej zásuvky jednosmerného prúdu vo vozidle
  - alebo pripájacím káblom na striedavý prúd k sieti striedavého napätia
- Nikdy nevytáhujte zástrčku zo zásuvky za pripojovací kábel.
- Keď je chladiace zariadenie pripojené na zásuvku jednosmerného prúdu: Odpojte vaše chladiace zariadenie a ostatné spotrebiče od batérie skôr než pripojíte rýchlonabíjačku.
- Keď je chladiace zariadenie pripojené na zásuvku jednosmerného prúdu: Rozpojte spojenie alebo vypnite chladiace zariadenie, keď vypnete motor. V opačnom prípade sa môže vybitť batéria.
- Chladiace zariadenie nie je vhodné na prepravu dráždivých alebo rozpúšťadlých obsahujúcich látok.
- Toto chladiace zariadenie obsahuje v izolácii horľavý cyklopentan. Plyny v izolačných materiáloch vyžadujú špeciálnu metódu na likvidáciu. Chladiace zariadenie na konci životnosti odovzdajte k riadnej likvidácii.

## 2.2 Bezpečnosť pri prevádzke zariadenia



### UPOZORNENIE!

- Pred uvedením do prevádzky dbajte, aby boli prívod a zástrčka suché.



### POZOR!

- Nepoužívajte žiadne elektrické prístroje vo vnútri chladiaceho zariadenia, okrem prístrojov, ktoré sú na to doporučené výrobcom zariadenia.
- Nepostavte zariadenie v blízkosti otvoreného ohňa alebo iných zdrojov tepla (kúrenie, slnečné žiarenie, plynové kachle atď.).
- **Nebezpečenstvo prehriatia!**  
Vždy dbajte, aby teplo, ktoré pri prevádzke vzniká, bolo možné dostatočne odvádzať. Postarajte sa, aby zariadenie stálo v dostatočnej vzdialenosti od stien alebo predmetov, aby mohol vzduch cirkulovať.
- Dbajte, aby nedošlo k zakrytiu vetracích otvorov.
- Do vnútornej nádoby nedávajte žiadne kvapaliny alebo ľad.
- Nikdy neponorte zariadenie do vody.
- Chráňte zariadenie a káble pred horúčavou a vlhkom.

## 3 Obsah dodávky

Č. v obr. 1, strane 3	Množstvo	Označenie
1	1	Chladiaci box
2	1	Prípojný kábel pre 12/24 V $\equiv$ prípojku
3	1	Prípojný kábel pre 100 – 240 V $\sim$ prípojku
4	2	Rúčka na prenášanie, pozostávajúca z: <ul style="list-style-type: none"> <li>– 2 držiakov</li> <li>– 1 rukoväti</li> <li>– 4 upevňovacích skrutiek</li> </ul>
–	1	Návod na obsluhu

## 4 Používanie v súlade s určením

Chladiaci box je vhodný na chladenie a udržiavanie potravín v chlade. Prístroj je vhodný na prevádzku v člnoch.

Prístroj je dimenzovaný na prevádzku prostredníctvom 12 V $\text{DC}$  alebo 24 V $\text{DC}$  palubnej zásuvky vozidla (napr. autozapaľovač), člna alebo obytného automobilu, ako aj prostredníctvom siete striedavého napätia 100 – 240 V $\sim$ .



### **UPOZORNENIE! Ohrozenie zdravia!**

Skontrolujte, či chladiaci výkon prístroja zodpovedá požiadavkám potravín alebo liekov, ktoré chcete chladiť.

## 5 Opis činnosti

Chladiaci box môže schladiť potraviny, udržiavať ich v chlade alebo ich hlboko zmraziť. Chladenie sa uskutočňuje prostredníctvom bezúdržbového chladiaceho okruhu s kompresorom. Mimoriadne silná izolácia a výkonný kompresor zabezpečia zvlášť rýchle chladenie.

Chladiaci box je vhodný na mobilné použitie.

Pri používaní v člnoch môže byť chladiaci box vystavený trvalému nakloneniu 30°.

### 5.1 Rozsah funkcií

- Sieťová časť s prioritným spínaním na pripojenie na striedavé napätie
- Trojstupňový kontrolný snímač stavu batérie na ochranu batérie vozidla
- Turbo režim na rýchle chladenie
- Displej s ukazovateľom teploty, pri nízkom napätí batérie automaticky vypnutý
- Nastavenie teploty: Dvomi tlačidlami v krokoch po 1 °C (2 °F)
- Namontovateľné rúčky na prenášanie

## 5.2 Ovládacie a indikačné prvky

### CF35, CF40

Zaistenie veka: obr. **2** 1, strane 3

### CF35, CF40, CF50

Ovládací panel (obr. **3**, strane 3)

Pol.	Označenie	Vysvetlenie
1	ON OFF	Zapne a vypne chladiaci box, keď sa tlačidlo podrží stlačené jednu až dve sekundy
2	POWER	Prevádzková indikácia
		LED svieti zeleno: Kompresor je zapnutý
		LED svieti oranžovo: Kompresor je vypnutý
		LED bliká oranžovo: Displej sa automaticky vypol, lebo napätie batérie je nízke
3	ERROR	LED bliká červeno: Zapnutý prístroj nie je pripravený na prevádzku
4	SET	Zvolí režim zadávania – Nastavenie teploty – Údaje v °Celsius alebo °Fahrenheit – Nastavenie kontrolného snímača stavu batérie
5	–	Displej, zobrazuje hodnoty
6	UP +	Jedno stlačenie zvýši zvolenú hodnotu zadania
7	DOWN –	Jedno stlačenie zníži zvolenú hodnotu zadania

Prípojný zásuvky (obr. **4**, strane 4):

Pol.	Označenie
1	Prípojná zásuvka
2	Spínač poistky
3	Prípojná zásuvka napájania jednosmerným napätím

## 6 Obsluha

### 6.1 Pred prvým použitím



#### POZNÁMKA

Pred uvedením nového chladiaceho boxu do prevádzky by ste ho z hygienických dôvodov mali vyčistiť zvonku a zvnútra vlhkou handričkou (pozri kap. „Čistenie a ošetrovanie“ na strane 244).

#### Montáž rúčok

Rúčky sú voľne priložené. Ak chcete rúčky namontovať, postupujte nasledovne:

- Spojte po dva držiaky (obr. **5** 1, strane 4) s každou rukoväťou (obr. **5** 2, strane 4) do jednej rúčky.
- Upevnite rúčku priloženými skrutkami do pripravených otvorov.

#### Pretočenie dorazu veka (CF50)

Doraz veka môžete pretočiť, ak chcete, aby sa veko otváralo na druhú stranu. Postupujte takto:

- Otvorte veko a vytiahnite ho von (obr. **6** A, strane 5).
- Otočte veko.
- Vložte veko do uchytení veka na strane chladiaceho boxu ležiacej oproti (obr. **6** B, strane 5).

#### Výber jednotky teploty

Vyberte zobrazovanie teploty medzi °Celsius a °Fahrenheit Postupujte takto:

- Zapnite chladiaci box.
- Stlačte tlačidlo „SET“ (obr. **3** 4, strane 3) dvakrát.
- Nastavte tlačidlami „UP +“ (obr. **3** 6, strane 3), príp. „DOWN –“ (obr. **3** 7, strane 3), jednotku teploty °Celsius alebo °Fahrenheit.
- ✓ Displej zobrazí na niekoľko sekúnd nastavenú jednotku teploty. Displej niekoľkokrát zabliká, kým sa vráti zobrazenie aktuálnej teploty.

## 6.2 Tipy na úsporu energie

- Zvoľte dobre odvetrané a pred slnečným žiarením chránené miesto osadenia.
- Teplé jedlá nechajte najprv ochladiť, pokiaľ ich budete v zariadení udržiavať studené.
- Neotvárajte chladiace zariadenia častejšie než je to potrebné.
- Nenechávajte chladiace zariadenie otvorené dlhšie než je to potrebné.
- Odmrazte chladiaci box, akonáhle sa vytvorí vrstva námrazy.
- Zabráňte tak nepotrebné nízkej vnútornej teplote.

## 6.3 Pripojenie chladiaceho boxu

### Pripojenie k batérii (vozidlo alebo čln)

Chladiaci box možno prevádzkovať s jednosmerným napätím 12 V alebo 24 V.



#### **POZOR! Nebezpečenstvo poškodenia!**

Pred nabíjaním batérie rýchlonabíjajúcim prístrojom odpojte chladiaci box a iné spotrebiče od batérie.

Nadmerné napätie môže poškodiť elektroniku prístrojov.

Kvôli bezpečnosti je chladiaci box vybavený elektronickou ochranou proti prepólovaniu, ktorá chráni chladiaci box pred prepólovaním pri pripojení batérie a pred skratom.

- Zasuňte 12/24 V prípojný kábel (obr. **1** 2, strane 3) do zásuvky jednosmerného napätia a zapojte ho do autozapaľovača alebo 12 V alebo 24 V zásuvky.

### Pripojenie na 100 – 240V sieť striedavého napätia (napr. doma alebo v kancelárii)



#### **NEBZPEČENSTVO! Ohrozenie života zasiahnutím elektrickým prúdom!**

- Nikdy nemanipulujte s konektormi a spínačmi, keď máte mokré ruky alebo stojíte vo vode.
- Ak prevádzkujete váš chladiaci box na palube člna cez brehovú prípojku pripojením do 100 – 240V siete striedavého napätia, v každom prípade musíte zapojiť ochranný spínač FI medzi 100 – 240 V sieť striedavého napätia a chladiaci box. Poradte sa s odborníkom.

Chladiace boxy majú integrovanú, multinapäťovú sieťovú časť s prioritným spínaním na pripojenie na striedavé napätie 100 – 240 V. Prioritným spínaním sa automaticky prepne sieťová prevádzka, keď je prístroj pripojený na 100 – 240 V sieť striedavého napätia, aj vtedy, keď je 12/24 V prípojný kábel ešte zapojený.

Pri prepínaní medzi striedavým napätím a napájaním batériou môže niekoľko minút svietiť červená LED dióda.

- Zasuňte 100 – 240V prípojný kábel (obr. **1** 3, strane 3) do zásuvky striedavého napätia a zapojte ho do 100 – 240 V siete striedavého napätia.

## 6.4 Používanie kontrolného snímača stavu batérie

Prístroj je vybavený viacstupňovým kontrolným snímačom stavu batérie, ktorý chráni vašu batériu vozidla pred hlbokým vybitím pri pripojení na 12/24 V palubnú sieť.

Ak sa chladiaci box používa pri vypnutom zapáľovaní vozidla, box sa samočinne vypne, akonáhle napájacie napätie klesne pod nastavenú hodnotu. Chladiaci box sa znova zapne, akonáhle sa nabitím batérie dosiahne znovuzapínacie napätie.



### **POZOR! Nebezpečenstvo poškodenia!**

Batéria pri vypnutí kontrolným snímačom stavu batérie už nemá svoju plnú kapacitu nabitia, vyvarujte sa viacnásobného spúšťania alebo prevádzky spotrebičov prúdu bez dlhších nabíjajúcich fáz. Postarajte sa, aby sa batéria opäť nabila.

V režime „HIGH“ reaguje kontrolný snímač stavu batérie rýchlejšie ako v stupňoch „LOW“ a „MED“ (pozri nasledovnú tabuľku).

Režim s kontrolným snímaním stavu batérie	LOW	MED	HIGH
<b>Vypínacie napätie 12 V</b>	10,1 V	11,4 V	11,8 V
<b>Znovuzapínacie napätie 12 V</b>	11,1 V	12,2 V	12,6 V
<b>Vypínacie napätie 24 V</b>	21,5 V	24,1 V	24,6 V
<b>Znovuzapínacie napätie 24 V</b>	23,0 V	25,3 V	26,2 V

Keď chcete zmeniť režim snímača stavu batérie, postupujte nasledovne:

- Zapnite chladiaci box.
- Stlačte tlačidlo „SET“ (obr. **3** 4, strane 3) trikrát.
- Nastavte tlačidlami „UP +“ (obr. **3** 6, strane 3), príp. „DOWN –“ (obr. **3** 7, strane 3), režim pre snímač stavu batérie.



- ✓ Displej zobrazí na niekoľko sekúnd nastavený režim. Displej niekoľkokrát zabliká, kým sa vráti zobrazenie aktuálnej teploty.



### POZNÁMKA

Keď sa chladiaci box napája štartovacou batériou, zvolte režim kontrolného snímania stavu batérie „HIGH“. Keď je chladiaci box pripojený k napájacej batérii, stačí režim kontrolného snímania stavu batérie „LOW“.

Keď chcete chladiaci box prevádzkovať prostredníctvom siete striedavého napätia, nastavte kontrolný snímač stavu batérie na „LOW“.

## 6.5 Používanie chladiaceho boxu



### POZOR! Nebezpečenstvo prehriatia!

Dbajte na to, aby sa teplo, ktoré vzniká pri prevádzke, dostatočne mohlo odvádzať. Dbajte na to, aby vetracie otvory neboli zakryté. Zabezpečte, aby bol prístroj v dostatočnej vzdialenosti od stien alebo predmetov, aby bola umožnená cirkulácia vzduchu.

- Postavte chladiaci prístroj na pevný podklad. Dbajte na to, aby vetracie otvory neboli zakryté a aby sa teplo mohlo dobre odvádzať.



### POZNÁMKA

Chladiaci box nainštalujte podľa vyobrazenia (obr. **1**, strane 3). Ak sa box prevádzkuje v inej polohe, môže sa poškodiť.

- Chladiaci box pripojte, pozri kap. „Pripojenie chladiaceho boxu“ na strane 239.



### POZNÁMKA

Keď chcete chladiaci box prevádzkovať prostredníctvom siete striedavého napätia, nastavte kontrolný snímač stavu batérie na „LOW“.



### POZOR! Nebezpečenstvo následkom príliš nízkej teploty!

Dbajte na to, aby sa v chladiacom boxe nachádzali len predmety, príp. tovar, ktorý sa môže chladiť na zvolenú teplotu.

- Stlačte tlačidlo „ON/OFF“ (obr. **3** 1, strane 3) na jednu až tri sekundy.
- ✓ LED „POWER“ svieti.
- ✓ Displej (obr. **3** 5, strane 3) sa zapne a zobrazí aktuálnu teplotu chladenia.

**POZNÁMKA**

Zobrazená teplota sa vzťahuje na stred interiéru. Teplota na iných miestach môže byť odlišná.

- ✓ Chladiaci box sa spustí s chladením vnútorného priestoru.

**POZNÁMKA**

Pri prevádzke na batériu sa displej automaticky vypne, keď je napätie batérie nízke. LED „POWER“ bliká oranžovo.

**Zaistenie chladiaceho boxu (CF35, CF40)**

- Zatvorte veko.
- Zatláčajte zaistenie (obr. **2** 1, strane 3) nadol tak, aby zapadlo.

**6.6 Nastavenie teploty**

- Stlačte tlačidlo „SET“ (obr. **3** 4, strane 3) jedenkrát.
- Nastavte tlačidlami „UP +“ (obr. **3** 6, strane 3), príp. „DOWN –“ (obr. **3** 7, strane 3), teplotu chladenia.
- ✓ Displej zobrazí na niekoľko sekúnd požadovanú teplotu chladenia. Displej niekoľkokrát zabliká, kým sa vráti zobrazenie aktuálnej teploty.

**6.7 Vypnutie chladiaceho boxu**

- Vyprázdnite chladiaci box.
- Vypnite chladiaci box.
- Vytiahnite prípojný kábel.

Ak chladiaci box dlhší čas nebudete používať:

- Nechajte veko pootvorené. Zabráňte tak tvorbe zápachu.

**6.8 Odmrazenie chladiaceho boxu**

Vlhký vzduch sa môže zrážať na odparovači alebo vnútri chladiaceho boxu ako srieň, čím sa znižuje chladiaci výkon. Prístroj včas odmrázte.



### **POZOR! Nebezpečenstvo poškodenia!**

Na odstránenie vrstvy námrazy alebo uvoľnenie primrazených predmetov nepoužívajte tvrdé alebo špicaté nástroje.

Pri odmrazovaní chladiaceho boxu postupujte nasledovne:

- ▶ Chladené potraviny vyberte.
- ▶ V prípade potreby ich uskladnite v inom chladiacom prístroji, aby zostali schladené.
- ▶ Prístroj vypnite.
- ▶ Nechajte veko otvorené.
- ▶ Rozmrazenú vodu poutierajte.

## **6.9 Výmena poistky prístroja**



### **NEBZPEČENSTVO! Ohrozenie života zasiahnutím elektrickým prúdom!**

Pred výmenou poistky prístroja vyťahnite prípojné káble.

- ▶ Odoberte prípojné káble.
- ▶ Vyberte von poistkovú vložku (obr. **4** 2, strane 4) napr. skrutkovačom.
- ▶ Vymeňte chybnú poistku za novú s rovnakou hodnotou (T4AL 250V).
- ▶ Zatlačte poistkovú vložku znova naspäť do krytu.

## **6.10 Výmena konektorovej poistky (12/24 V)**

- ▶ Stiahnite kompenzačnú objímku (obr. **7** 4, strane 5) z konektora.
- ▶ Vyskrutkujte skrutku (obr. **7** 5, strane 5) z hornej polovice krytu (obr. **7** 1, strane 5).
- ▶ Opatrne vyberte hornú polovicu krytu z dolnej (obr. **7** 6, strane 5).
- ▶ Vyberte von kontaktný svorník (obr. **7** 3, strane 5).
- ▶ Vymeňte chybnú poistku (obr. **7** 2, strane 5) za novú s rovnakou hodnotou (8 A, 32 V).
- ▶ Zložte konektor naspäť v opačnom poradí.

**POZNÁMKA – Interná DC poistka**

Vo vnútri zariadenia sa nachádza prídavná DC poistka (štandardná automobilová nožová poistka, 10 A). Túto poistku smie vymieňať len autorizované servisné stredisko.

**6.11 Výmena osvetľovacieho telesa**

- ▶ Stlačte spínací pin (obr. **8** 2, strane 5) nadol tak, aby sa priehľadná časť (obr. **8** 1, strane 5) svetla dalo odobrať dopredu.
- ▶ Vymeňte osvetľovacie teleso.

**POZNÁMKA**

LED v osvetľovacom telese musia byť nasmerované k priehľadnej časti svetla.

- ▶ Priehľadnú časť svetla znova vložte do krytu.

**7 Čistenie a ošetrovanie****VÝSTRAHA!**

Pred každým čistením a ošetrovaním odpojte zariadenie od siete.

**POZOR! Nebezpečenstvo poškodenia!**

- Nikdy nečistite chladiace zariadenie pod tečúcou vodou alebo dokonca v preplachovacej vode.
- Nepoužívajte na čistenie žiadne ostré alebo tvrdé predmety, lebo tieto by mohli chladiace zariadenie poškodiť.

- ▶ Príležitostne vyčistíte zariadenie zvnútra aj zvonku s vlhkou utierkou.
- ▶ Zabezpečte, aby vetracie a odvzdušňovacie otvory prístroja boli bez prachu a nečistôt, aby sa teplo vznikajúce pri prevádzke mohlo odvádzať a aby sa prístroj nepoškodil.

## 8 Záruka

Platí zákonom stanovená záručná lehota. Ak by bol výrobok chybný, obráťte sa na pobočku vo vašej krajine (adresy pozri na zadnej strane návodu) alebo na vášho špecializovaného predajcu.

Ak žiadate o vybavenie opravy alebo nárokov vyplývajúcich zo záruky, musíte priložiť nasledovné podklady:

- kópiu faktúry s dátumom kúpy,
- dôvod reklamácie alebo opis chyby.

## 9 Odstránenie poruchy

Porucha	Možná príčina	Návrh riešenia
Prístroj nefunguje, LED nesvieti.	V 12/24 V zásuvke (autozapalovač) vo vozidle nie je napätie.	Vo väčšine vozidiel sa musí zapnúť zapalovanie, aby mal autozapalovač napätie.
	Zásuvka striedavého napätia nevedie napätie.	Vyskúšajte inú zásuvku.
	Poistka prístroja je chybná.	Vymeňte poistku prístroja, pozri kap. „Výmena poistky prístroja“ na strane 243.
	Integrovaná sieťová časť je chybná.	Opravy smie vykonávať len autorizovaný servis.
Prístroj nechladí (konektor je zasunutý, LED „POWER“ svieti).	Kompresor je chybný.	Opravy smie vykonávať len autorizovaný servis.
Prístroj nechladí (konektor je zasunutý, LED „POWER“ bliká oranžovo, displej je vypnutý).	Napätie batérie nie je dostatočné.	Skontrolujte batériu a v prípade potreby ju nabite.

Porucha	Možná príčina	Návrh riešenia
Pri prevádzke z výstupu s jednosmerným prúdom: Zapaľovanie je zapnuté, zariadenie nefunguje a LED nesvieti.	Výstup s jednosmerným prúdom je znečistený. To má za následok zlý elektrický kontakt.	Keď sa zástrčka chladiaceho boxu vo výstupe s jednosmerným prúdom veľmi zohreje, musí sa buď vyčistiť výstup s jednosmerným prúdom alebo zástrčka pravdepodobne nie je správne zmontovaná.
	Poistka zástrčky na jednosmerný prúd je prehorená.	Vymeňte poistku v zástrčke na jednosmerný prúd, pozri kap. „Výmena konektorovej poistky (12/24 V)” na strane 243.
	DC poistka vo vnútri zariadenia je prehorená.	Opravu môže vykonať iba autorizované servisné stredisko.
	Poistka vozidla je prehorená.	Vymeňte poistku výstupu s jednosmerným prúdom vozidla. Pozrite si návod na obsluhu vášho vozidla.
Na displeji sa zobrazí hlásenie chyby (napr. „Err1”) a prístroj nechladí.	Interná prevádzková porucha vypla prístroj.	Opravy smie vykonávať len autorizovaný servis.

## 10 Likvidácia

- Obalový materiál podľa možnosti odovzdajte do príslušného odpadu na recykláciu.



Keď výrobok definitívne vyradíte z prevádzky, informujte sa v najbližšom recyklačnom stredisku alebo u vášho špecializovaného predajcu o príslušných predpisoch týkajúcich sa likvidácie.

# 11 Technické údaje

	<b>CF35</b>	<b>CF40</b>
Pripájacie napätie:	12/24 V $\equiv$ i 100 – 240 V $\sim$	
Menovitý prúd:		
– 12 V $\equiv$ :	6,0 A	6,0 A
– 24 V $\equiv$ :	3,0 A	3,0 A
– 100 – 240 V $\sim$ :	1,3 až 0,7 A	1,3 až 0,7 A
Chladiaci výkon:	+10 °C až –18 °C (+50 °F až 0 °F)	
Kategória:	1	1
Trieda energetickej účinnosti:	A+	A+
Energetická spotreba:	92 kWh/annum	101 kWh/annum
Užitočný obsah:	31 l	37 l
Klimatická trieda:	N, ST, T	N, ST, T
Teplota okolia:	+16 °C – +43 °C	+16 °C – +43 °C
Emisie zvuku:	45 dB(A)	45 dB(A)
Množstvo chladiaceho prostriedku:	38 g	41 g
Ekvivalent CO <sub>2</sub> :	0,054 t	0,059 t
Potenciál globálneho otepľovania (GWP):	1430	
Rozmery (Š x V x H) v mm:	580 x 385 x 360	580 x 445 x 360
Hmotnosť:	15 kg	16 kg

	<b>CF50</b>
Pripájacie napätie:	12/24 V $\equiv$ und 100 – 240 V $\sim$
Menovitý prúd:	
– 12 V $\equiv$ :	7,0 A
– 24 V $\equiv$ :	3,0 A
– 100 – 240 V $\sim$ :	1,3 až 0,7 A
Chladiaci výkon:	+10 °C až –18 °C (+50 °F až 0 °F)
Kategória:	1
Trieda energetickej účinnosti:	A+
Energetická spotreba:	110 kWh/annum
Užitočný obsah:	47 l
Klimatická trieda:	N, ST, T
Teplota okolia:	+16 °C – +43 °C
Emisie zvuku:	45 dB(A)
Množstvo chladiaceho prostriedku:	41 g
Ekvivalent CO <sub>2</sub> :	0,059 t
Potenciál globálneho otepľovania (GWP):	1430
Rozmery (Š x V x H) v mm:	630 x 480 x 360
Hmotnosť:	18 kg

**POZNÁMKA**

Od teploty okolia 32 °C (90 °F) sa už nedá dosiahnuť minimálna teplota.

Skúšky/certifikáty:



Chladiaci obvod obsahuje R134a.

Obsahuje fluórované skleníkové plyny

Hermeticky uzavreté zariadenie



**Před uvedením do provozu si pečlivě přečtěte tento návod k obsluze a uschovejte jej. V případě dalšího prodeje ledničky předejte návod novému uživateli.**

Výrobce neručí za škody, které vzniknou **nesprávným použitím** nebo **nesprávnou obsluhou**.

## Obsah

<b>1</b>	<b>Vysvětlení symbolů</b>	250
<b>2</b>	<b>Bezpečnostní pokyny</b>	250
2.1	Obecná bezpečnost	250
2.2	Bezpečnost za provozu přístroje	252
<b>3</b>	<b>Obsah dodávky</b>	252
<b>4</b>	<b>Použití v souladu s účelem</b>	253
<b>5</b>	<b>Popis funkce</b>	253
5.1	Funkce zařízení	253
5.2	Ovládací a indikační prvky	254
<b>6</b>	<b>Obsluha</b>	255
6.1	Před prvním použitím	255
6.2	Tipy k úspoře energie	256
6.3	Připojení chladicího boxu	256
6.4	Použití snímače stavu baterie	257
6.5	Používání chladicího boxu	258
6.6	Nastavení teploty	259
6.7	Vypnutí chladicího boxu	259
6.8	Odmrazování chladicího boxu	260
6.9	Výměna pojistek přístroje	260
6.10	Výměna pojistek zástrčky (12/24 V)	260
6.11	Výměna žárovky	261
<b>7</b>	<b>Čištění a péče</b>	261
<b>8</b>	<b>Záruka</b>	262
<b>9</b>	<b>Odstraňování poruch a závad</b>	262
<b>10</b>	<b>Likvidace</b>	263
<b>11</b>	<b>Technické údaje</b>	264

# 1 Vysvětlení symbolů

**NEBEZPEČÍ!**

**Bezpečnostní pokyny:** Následkem nedodržení pokynů jsou smrtelná nebo vážná zranění.

**VÝSTRAHA!**

**Bezpečnostní pokyny:** Následkem nedodržení pokynů mohou být smrtelná nebo vážná zranění.

**UPOZORNĚNÍ!**

**Bezpečnostní pokyny:** Následkem nedodržení mohou být úrazy.

**POZOR!**

Nedodržení pokynů může mít za následek hmotné škody a narušení funkce výrobku.

**POZNÁMKA**

Doplňující informace týkající se obsluhy výrobku.

## 2 Bezpečnostní pokyny

### 2.1 Obecná bezpečnost

**VÝSTRAHA!**

- V případě, že je přístroj viditelně poškozen, nesmíte jej používat.
- Pokud je přívodní kabel přístroje poškozen, musíte jej nechat vyměnit výrobcem, jeho servisním centrem nebo jinou kvalifikovanou osobou tak, aby nemohlo dojít k jakémukoliv ohrožení.
- Opravy tohoto přístroje smí provádět pouze odborníci. Nesprávné provedené opravy mohou způsobit značné škody.
- Tento přístroj mohou používat děti od 8 let a osoby se sníženými fyzickými, sensorickými nebo mentálními schopnostmi, nebo osoby s nedostatkem zkušeností a/nebo znalostí, pokud budou pod dozorem nebo pokud byly poučeny o bezpečném použití přístroje a porozuměly nebezpečím, která z použití výrobku vyplývají.

- Čištění a uživatelem prováděnou údržbu nesmějí provádět děti bez dozoru.
- Nenechávejte děti, aby si s přístrojem hrály!
- Děti musejí být pod dohledem tak, aby si s výrobkem nehrály.
- Příklad použijte a skladujte mimo dosah dětí mladších 8 let.
- Neskladujte v přístroji výbušné látky, jako např. spreje s hořlavým hnacím plynem.



### UPOZORNĚNÍ!

- Příklad odpojte od sítě:
  - Před každým čištěním a údržbou
  - Po každém použití
- Skladujte potraviny pouze v originálním balení nebo ve vhodných nádobách.



### POZOR!

- Porovnejte údaj o napětí na typovém štítku se stávajícím zdrojem napájení.
- Ledničku připojte pouze následujícím způsobem:
  - Přívodním kabelem na stejnosměrný proud k palubní zásuvce stejnosměrného proudu ve vozidle
  - Nebo přívodním kabelem na střídavý proud k síti střídavého proudu
- Nikdy nevytahujte zástrčku ze zásuvky tahem za přívodní kabel.
- Pokud je chladnička připojena k zásuvce stejnosměrného proudu: Odpojte chladničku a jiné spotřebiče od baterie dříve, než je připojíte k rychlonabíječce.
- Pokud je chladnička připojena k zásuvce stejnosměrného proudu: Po vypnutí motoru přerušte spojení nebo vypněte chladničku. V opačném případě může dojít k vybití baterie.
- Chladnička není vhodná k přepravě leptavých látek nebo látek obsahujících rozpouštědla.
- V izolaci této ledničky je hořlavý cyklopentan. Plyny v izolačním materiálu vyžadují speciální metodu likvidace. Po ukončení životnosti ledničku odevzdejte k řádné likvidaci.

## 2.2 Bezpečnost za provozu přístroje



### UPOZORNĚNÍ!

- Před uvedením do provozu zkontrolujte, zda jsou přívodní kabel a zástrčka suché.



### POZOR!

- Nepoužívejte uvnitř chladničky žádné elektrické přístroje, pouze pokud jsou k tomu takové přístroje doporučeny výrobcem.
- Neinstalujte přístroj v blízkosti otevřeného ohně nebo jiných tepelných zdrojů (topení, přímé sluneční záření, plynová kamna apod.).
- **Nebezpečí přehřátí!**  
Vždy dbejte, aby bylo teplo, vznikající za provozu zařízení, dostatečně odváděno. Zajistěte, aby byl přístroj postaven v dostatečné vzdálenosti od stěn nebo předmětů tak, aby mohl vzduch cirkulovat.
- Pamatujte, že nesmějí být zakryty větrací otvory.
- Do vnitřní nádoby nelijte žádné kapaliny ani do ní nedávejte led.
- Nikdy neponořujte přístroj do vody.
- Chraňte přístroje a kabely před horkem a vlhkem.

## 3 Obsah dodávky

Č. na obr. <b>1</b> , strana 3	Množství	Název
1	1	Chladicí box
2	1	Přívodní kabel k připojení 12/24 V $\equiv$
3	1	Přívodní kabel k připojení 100 – 240 V $\sim$
4	2	Madlo, které obsahuje: <ul style="list-style-type: none"> <li>– 2 držáky</li> <li>– 1 rukojeť</li> <li>– 4 upevňovací šrouby</li> </ul>
–	1	Návod k obsluze

## 4 Použití v souladu s účelem

Chladicí box je vhodný ke chlazení a hlubokému chlazení potravin. Příklad je určen k provozu na lodích.

Příklad je konstruován k provozu na palubní zásuvce 12 V $\text{DC}$  nebo 24 V $\text{DC}$  vozidla (např. zapalovač), lodi nebo obytného vozidla, a na elektrické síti se střídavým napětím 100 – 240 V $\text{AC}$ .



### **UPOZORNĚNÍ! Nebezpečí ohrožení zdraví!**

Zkontrolujte, zda chladicí výkon přístroje odpovídá požadavkům potravin nebo léčiv, které chcete skladovat.

## 5 Popis funkce

Chladicí box umožňuje chladit výrobky, udržovat je chladné a umožňuje také jejich hluboké chlazení. Chlazení je provedeno pomocí bezúdržbového chladicího okruhu s kompresorem. Extra silná izolace a výkonný kompresor zaručují mimořádně rychlé chlazení.

Chladicí box je určen k mobilnímu použití.

V případě použití na lodích může být chladicí box vystaven trvalému náklonu 30°.

### 5.1 Funkce zařízení

- Síťový zdroj k prioritnímu spínání k připojení ke střídavému napětí
- Třístupňový snímač baterie k ochraně baterie vozidla
- Režim Turbo k rychlejšímu chlazení
- Displej s ukazatelem teploty, při nižším napětí baterie dojde k automatickému vypnutí
- Nastavení teploty: Pomocí dvou tlačítek v krocích po 1 °C (2 °F)
- Odnímatelné přenosné rukojeti

## 5.2 Ovládací a indikační prvky

### CF35, CF40

Zámek víka: obr. **2** 1, strana 3

### CF35, CF40, CF50

Ovládací panel (obr. **3**, strana 3)

Poz.	Název	Vysvětlení
1	ZAP VYP	Zapnutí nebo vypnutí chladicího boxu, pokud tlačítko podržíte jednu až dvě vteřiny stisknuté
2	POWER	Provozní kontrolka LED svítí zeleně: Kompresor je zapnutý LED svítí oranžově: Kompresor je vypnutý LED bliká oranžově: Byl automaticky vypnut displej, protože napětí baterie je příliš nízké
3	ERROR	LED bliká červeně: Zapnutý přístroj není připraven k provozu
4	SET	Výběr režimu zadávání: – nastavení teploty – údaj ve °Celsia nebo ve °Fahrenheita – nastavení snímače baterie
5	–	Displej, zobrazuje hodnoty
6	UP +	Jedním klepnutím zvýšíte zadávanou hodnotu
7	DOWN –	Jedním klepnutím snížíte zadávanou hodnotu

Přívodní zdičky (obr. **4**, strana 4):

Poz.	Název
1	Přívodní zdička napájení střídavým napětím
2	Držák pojistek
3	Přívodní zdička napájení stejnosměrným napětím

## 6 Obsluha

### 6.1 Před prvním použitím



#### POZNÁMKA

Dříve, než uvedete nový chladicí box do provozu, musíte jej z hygienických důvodů očistit vlhkou utěrkou jak zevnitř, tak zevně (viz též kap. „Čištění a péče“ na strani 261).

#### Montáž rukojeti

Rukojeti jsou dodány volně, nenamontované. Pokud si přejete rukojeti namontovat, postupujte takto:

- Sestavte vždy ze dvou držáků (obr. **5** 1, strana 4) a jednoho madla (obr. **5** 2, strana 4) celou rukojeť.
- Upevněte rukojeť pomocí dodaných šroubů do připravených otvorů.

#### Změna strany otevírání víka (CF50)

Uchycení víka můžete otočit v případě, že si přejete, aby se víko otevíralo na druhou stranu. Postupujte takto:

- Otevřete víko a vytáhněte je (obr. **6** A, strana 5).
- Otočte víko.
- Nasad'te víko do uchycení víka na protilehlé straně chladicího boxu (obr. **6** B, strana 5).

#### Výběr jednotek pro zobrazení teploty

K zobrazování teploty můžete vybírat mezi °Celsia a °Fahrenheita. Postupujte takto:

- Zapněte chladicí box.
- Stiskněte dvakrát tlačítko „SET“ (obr. **3** 4, strana 3).
- Nastavte pomocí tlačítek „UP +“ (obr. **3** 6, strana 3) nebo „DOWN –“ (obr. **3** 7, strana 3), jednotky °Celsia nebo °Fahrenheita.
- ✓ Displej zobrazuje na několik vteřin nastavené jednotky teploty. Displej několikrát zabliká dříve, než se vrátí k aktuální teplotě.

## 6.2 Tipy k úspoře energie

- K používání vyberte dobře větrané místo chráněné před slunečním zářením.
- Teplé pokrmy nechejte před uložením do chladničky vychladnout.
- Neotevírejte chladničku častěji, než je nezbytně nutné.
- Nenechávejte chladničku otevřenou déle, než je nezbytně nutné.
- Odmrazte chladničku, jakmile se vytvoří vrstva ledu.
- Zabraňte vzniku zbytečně nízkých vnitřních teplot.

## 6.3 Připojení chladicího boxu

### Připojení k baterii (vozidla nebo lodi)

Chladicí box můžete provozovat na stejnosměrném napětí 12 V nebo 24 V.



#### **POZOR! Nebezpečí poškození!**

Odpojte chladicí box a jiné spotřebiče od baterie dříve, než připojíte baterii k rychlonabíječce.

Přepětí může poškodit elektronické systémy přístrojů.

Z bezpečnostních důvodů je chladicí box vybaven elektronickou ochranou proti přepólování, která chrání chladicí box před přepólováním při připojování baterie a před zkratem.

- ▶ Zapojte přívodní kabel 12/24 V (obr. **1** 2, strana 3) do zdířky pro stejnosměrné napětí a připojte jej k zapalovači cigaret nebo k zásuvce 12 V nebo 24 V.

### Připojení k síti střídavého proudu 100 – 240 V (např. doma nebo v kanceláři)



#### **NEBEZPEČÍ! Ohrožení života elektrickým proudem!**

- Nikdy nemanipulujte se zástrčkami a spínači s mokřkýma rukama nebo pokud stojíte v moku.
- Pokud používáte chladicí box na palubě lodi, která je připojena k přípojce střídavého proudu 100 – 240 V na souši, musíte vždy instalovat ochranný vypínač FI mezi síť střídavého proudu 100 – 240 V a chladicí box.  
Poradte se s odborníkem.



Chladicí boxy mají integrovaný multinapěťový síťový zdroj s prioritním spínáním k připojení ke střídavému napětí 100 – 240 V. Díky prioritnímu spínání je automaticky provedeno přepnutí na síťový provoz, pokud je přístroj připojen k síti střídavého proudu 100 – 240 V, i když je zatím připojen přívodní kabel 12/24 V.

Při přepínání mezi sítí střídavého proudu a napájením z baterie se může na několik minut rozsvítit červená kontrolka LED.

- Zapojte přívodní kabel 100 – 240 V (obr. **1** 3, strana 3) do zdířky střídavého napětí a připojte jej k síti střídavého proudu 100 – 240 V.

## 6.4 Použití snímače stavu baterie

Přístroj je vybaven několikastupňovým snímačem baterie, který chrání vaši baterii při připojování k palubní síti 12/24 V před příliš hlubokým vypnutím.

Pokud chladicí box používáte ve vozidle s vypnutým zapalováním, dojde k samočinnému vypnutí boxu, jakmile napájecí napětí poklesne pod předem definovanou hodnotu. Chladicí box se opět zapne, jakmile je nabitím baterie dosaženo napětí k opětovnému zapnutí.



### **POZOR! Nebezpečí poškození!**

Baterie již nemá po vypnutí snímačem baterie k dispozici plnou kapacitu nabití. Bez delšího nabíjení neopakujte vícekrát startování, nepoužívejte elektrické spotřebiče. Zajistěte nabití baterie.

V režimu „HIGH“ je snímač baterie aktivován rychleji než ve stupních „LOW“ a „MED“ (viz tabulka níže).

Režim snímače baterie	LOW	MED	HIGH
<b>Napětí k vypnutí při 12 V</b>	10,1 V	11,4 V	11,8 V
<b>Napětí k opětovnému zapnutí při 12 V</b>	11,1 V	12,2 V	12,6 V
<b>Napětí k vypnutí při 24 V</b>	21,5 V	24,1 V	24,6 V
<b>Napětí k opětovnému zapnutí při 24 V</b>	23,0 V	25,3 V	26,2 V

K provedení změny režimu snímače baterie postupujte takto:

- Zapněte chladicí box.
- Stiskněte třikrát tlačítko „SET“ (obr. **3** 4, strana 3).
- Nastavte pomocí tlačítek „UP +“ (obr. **3** 6, strana 3) nebo „DOWN –“ (obr. **3** 7, strana 3), režim snímače baterie.

- ✓ Displej zobrazuje na několik vteřin nastavený režim. Displej několikrát zabliká dříve, než se vrátí k aktuální teplotě.



### POZNÁMKA

Pokud je chladicí box napájen ze startovací baterie, vyberte režim snímače baterie „HIGH“. Pokud je chladicí box připojen k napájecí baterii, stačí režim snímače „LOW“.

Pokud si přejete používat chladicí box na síti střídavého proudu, nastavte snímač baterie do režimu „LOW“.

## 6.5 Používání chladicího boxu



### POZOR! Nebezpečí přehřátí!

Vždy dbejte, aby bylo teplo, vznikající za provozu zařízení, dostatečně odváděno. Pamatujte, že nesmí být zakryty větrací otvory. Zajistěte, aby byl přístroj postaven v dostatečné vzdálenosti od stěn nebo předmětů tak, aby mohl vzduch cirkulovat.

- Postavte chladicí box na pevnou podložku. Dbejte na to, aby nebyly nikdy zakryty větrací otvory, které slouží k odvádění zahřátého vzduchu.



### POZNÁMKA

Postavte chladicí box tak, jak je vidět na obrázku (obr. **1**, strana 3). Pokud budete box používat v jiných pozicích, může dojít k poškození přístroje.

- Připojte chladicí box, viz kap. „Připojení chladicího boxu“ na straně 256.



### POZNÁMKA

Pokud si přejete používat chladicí box na síti střídavého proudu, nastavte snímač baterie do režimu „LOW“.



### POZOR! Nebezpečí v případě příliš nízké teploty!

Dbejte, aby byly v chladicím boxu skladovány pouze předměty nebo potraviny, které je dovoleno chladit za nastavené teploty.

- Stiskněte tlačítko „ON/OFF“ (obr. **3** 1, strana 3) na jednu až dvě vteřiny.
- ✓ Rozsvítí se LED „POWER“.
- ✓ Zapne se displej (obr. **3** 5, strana 3) a zobrazí aktuální teplotu chlazení.

**POZNÁMKA**

Zobrazená teplota se vztahuje na střed vnitřního prostoru. Teplota na jiných místech se může od této teploty lišit.

- ✓ Chladicí box zahájí chlazení vnitřního prostoru.

**POZNÁMKA**

Za provozu na baterii se displej automaticky vypne, pokud je napětí baterie příliš nízké. Kontrolka LED „POWER“ bliká oranžově.

**Uzamčení chladicího boxu (CF35, CF40)**

- Zavřete víko.
- Zatláčte zámek (obr. **2** 1, strana 3) dolů tak, aby slyšitelně zacvaknul.

**6.6 Nastavení teploty**

- Jednou stiskněte tlačítko „SET“ (obr. **3** 4, strana 3).
- Nastavte pomocí tlačítek „UP +“ (obr. **3** 6, strana 3) nebo „DOWN –“ (obr. **3** 7, strana 3) teplotu chlazení.
- ✓ Na displeji se zobrazí na několik vteřin nastavená požadovaná teplota chlazení. Displej několikrát zabliká dříve, než se vrátí k aktuální teplotě.

**6.7 Vypnutí chladicího boxu**

- Vyprázdněte obsah chladicího boxu.
- Vypněte chladicí box.
- Odpojte přívodní kabel.

Pokud nebudete chladicí box déle používat:

- Nechejte víko pootevřené. Zabráníte tak vzniku zápachů.

## 6.8 Odmrazování chladicího boxu

Vzdušná vlhkost se může srážet na výparníku nebo uvnitř chladicího boxu formou jinovatky, která snižuje chladicí výkon. Přístroj včas odmrázte.



### **POZOR! Nebezpečí poškození!**

Nepoužívejte k odstraňování ledu nebo k uvolňování přimrzlých předmětů tvrdé nebo špičaté nástroje.

Při rozmrazování postupujte takto:

- Vyjměte chlazený materiál.
- Uložte jej případně do jiné lednice, aby zůstal v chladnu.
- Vypněte přístroj.
- Nechejte víko otevřené.
- Vytřete vodní kondenzát.

## 6.9 Výměna pojistek přístroje



### **NEBEZPEČÍ! Ohrožení života elektrickým proudem!**

Před výměnou pojistek přístroje odpojte přívodní kabel.

- Odpojte přívodní kabel.
- Uvolněte držák pojistek (obr. **4** 2, strana 4) např. šroubovákem.
- Vyměňte vadnou pojistku za novou se stejnou hodnotou (T4AL 250V).
- Zatlačte držák pojistek opět do krytu.

## 6.10 Výměna pojistek zástrčky (12/24 V)

- Sundejte ze zástrčky vyrovnávací pouzdro (obr. **7** 4, strana 5).
- Vyšroubujte šroub (obr. **7** 5, strana 5) z horní poloviny pouzdra (obr. **7** 1, strana 5).
- Opatrně uvolněte horní polovinu pouzdra ze spodní (obr. **7** 6, strana 5).
- Vyjměte kontaktní kolík (obr. **7** 3, strana 5).
- Vyměňte vadnou pojistku (obr. **7** 2, strana 5) za novou o stejné hodnotě (8 A, 32 V).
- Smontujte zástrčku v opačném pořadí.

**POZNÁMKA – Vnitřní stejnosměrná pojistka**

Uvnitř přístroje je přídavná stejnosměrná pojistka (nožová pojistka podle automobilové normy, 10 A). Tuto pojistku vyměnit pouze autorizované středisko oprav.

**6.11 Výměna žárovky**

- ▶ Stiskněte kolík (obr. **8** 2, strana 5) dolů tak, aby bylo možné vyjmout průsvitný díl (obr. **8** 1, strana 5) osvětlení směrem vpřed.
- ▶ Vyměňte žárovku.

**POZNÁMKA**

LED v žárovce musejí být orientovány směrem k průsvitné části osvětlení.

- ▶ Opět nasad'te průsvitný díl osvětlení do krytu.

**7 Čištění a péče****VÝSTRAHA!**

Před zahájením jakéhokoliv čištění nebo údržby odpojte výrobek od sítě.

**POZOR! Nebezpečí poškození!**

- Nikdy neumývejte chladničku pod tekoucí vodou nebo ve ve vodě s prostředkem na mytí nádobí.
- Nepoužívejte k čištění ostré čisticí prostředky nebo tvrdé předměty, může dojít k poškození chladničky.

- ▶ Příležitostně očistěte přístroj zevnitř a zvenčí vlhkým hadrem.
- ▶ Zajistěte, aby nebyly větrací a odvodušňovací otvory přístroje zaprášené a znečištěné. Tím může být teplo vznikající za provozu odváděno a nedojde k poškození přístroje.

## 8 Záruka

Na výrobek je poskytována záruka v souladu s platnými zákony. Zjistíte-li, že je výrobek vadný, zašlete jej do pobočky výrobce ve vaší zemi (adresy viz zadní strana tohoto návodu) nebo do specializovanému prodejci.

K vyřízení opravy nebo záruky nezapomeňte odeslat následující dokumenty:

- Kopii účtenky s datem zakoupení,
- Uvedení důvodu reklamace nebo popisu vady.

## 9 Odstraňování poruch a závad

Závada	Možná příčina	Návrh řešení
Přístroj nefunguje, LED nesvítí.	Zásuvka 12/24 V (zapalovač) ve vozidle není pod napětím.	Ve většině automobilů musíte nejprve spustit zapalování, aby byl zapalovač pod napětím.
	V zásuvce se střídavým proudem není proud.	Zkuste to na jiné zásuvce.
	Vadná pojistka přístroje.	Vyměňte pojistku přístroje, viz kap. „Výměna pojistek přístroje“ na straně 260.
	Integrovaný síťový zdroj je vadný.	Opravu smí provést pouze schválená provozovna zákaznického centra.
Přístroj nechladí (zástrčka je připojená, svítí LED „POWER“).	Vadný kompresor.	Opravu smí provést pouze schválená provozovna zákaznického centra.
Přístroj nechladí (zástrčka je připojená, LED „POWER“ bliká oranžově, displej je vypnutý).	Nedostatečné napětí baterie.	Zkontrolujte baterii a případně ji nabijte.

Závada	Možná příčina	Návrh řešení
Provoz ze stejnosměrné zásuvky: Zapalování je zapnuto, přístroj nefunguje a LED nesvítí.	Zásuvka stejnosměrného napětí je znečištěná. Výsledkem je špatný elektrický kontakt.	Pokud je zástrčka v zásuvce stejnosměrného napájení velmi horká, buď očistěte objímku, nebo zkontrolujte, zda je zástrčka správně namontována.
	Pojistka zástrčky stejnosměrného napájení je propálená.	Vyměňte pojistku stejnosměrné zásuvky, viz kap. „Výměna pojistek zástrčky (12/24 V)” na straně 260.
	Stejnosemřná pojistka uvnitř přístroje je spálená.	Opravu může provést pouze autorizované středisko oprav.
	Pojistka vozidla je spálená.	Vyměňte pojistku stejnosměrné zásuvky vozidla. Viz návod k obsluze vašeho vozidla.
Na displeji se zobrazuje chybové hlášení (např. „Err1“) a přístroj nechladí.	Interní provozní porucha vypnula přístroj.	Opravu smí provést pouze schválená provozovna zákaznického centra.

## 10 Likvidace

- Obalový materiál likvidujte v odpadu určeném k recyklaci.



Jakmile výrobek zcela vyřadíte z provozu, informujte se v příslušných recyklačních centrech nebo u specializovaného prodejce o příslušných předpisech o likvidaci odpadu.

# 11 Technické údaje

	<b>CF35</b>	<b>CF40</b>
Napájení:	12/24 V $\equiv$ a 100 – 240 V $\sim$	
Jmenovitý proud:		
– 12 V $\equiv$ :	6,0 A	6,0 A
– 24 V $\equiv$ :	3,0 A	3,0 A
– 100 – 240 V $\sim$ :	1,3 až 0,7 A	1,3 až 0,7 A
Chladicí výkon:	+10 °C až –18 °C (+50 °F až 0 °F)	
Kategorie:	1	1
Energetická třída účinnosti	A+	A+
Spotřeba energie:	92 kWh/annum	101 kWh/annum
Užitečný obsah:	31 l	37 l
Klimatická třída:	N, ST, T	N, ST, T
Okolní teplota:	+16 °C – +43 °C	+16 °C – +43 °C
Hlukové emise:	45 dB(A)	45 dB(A)
Množství chladicího prostředku:	38 g	41 g
Ekvivalent CO <sub>2</sub> :	0,054 t	0,059 t
Potenciál skleníkových plynů (GWP):	1430	
Rozměry (ŠxVxH) v mm:	580 x 385 x 360	580 x 445 x 360
Hmotnost:	15 kg	16 kg



	<b>CF50</b>
Napájení:	12/24 V $\equiv$ a 100 – 240 V $\sim$
Jmenovitý proud:	
– 12 V $\equiv$ :	7,0 A
– 24 V $\equiv$ :	3,0 A
– 100 – 240 V $\sim$ :	1,3 až 0,7 A
Chladicí výkon:	+10 °C až –18 °C (+50 °F až 0 °F)
Kategorie:	1
Energetická třída účinnosti	A+
Spotřeba energie:	110 kWh/annum
Užitečný obsah:	47 l
Klimatická třída:	N, ST, T
Okolní teplota:	+16 °C – +43 °C
Hlukové emise:	45 dB(A)
Množství chladicího prostředku:	41 g
Ekvivalent CO <sub>2</sub> :	0,059 t
Potenciál skleníkových plynů (GWP):	1430
Rozměry (ŠxVxH) v mm:	630 x 480 x 360
Hmotnost:	18 kg

**POZNÁMKA**

Za okolních teplot vyšších než 32 °C (90 °F) již nelze dosáhnout minimální teploty.

Kontrola/certifikáty:



Chladicí okruh obsahuje R134a.

Obsahuje fluorované skleníkové plyny

Hermeticky uzavřeným zařízením

**Az üzembe helyezés előtt gondosan olvassa el és őrizze meg ezt az útmutatót. Ha a hűtőkészüléket továbbadja, mellékelje hozzá az útmutatót is.**

A gyártó nem felelős olyan károkért vagy sérülésekért, amelyeket **nem rendeltetésszerű használat** vagy **hibás kezelés** okozott.

## Tartalomjegyzék

<b>1</b>	<b>Szimbólumok magyarázata</b> .....	267
<b>2</b>	<b>Biztonsági tudnivalók</b> .....	267
2.1	Általános biztonság .....	267
2.2	Biztonság a készülék üzemeltetése során .....	269
<b>3</b>	<b>Szállítási terjedelelem</b> .....	269
<b>4</b>	<b>Rendeltetésszerű használat</b> .....	270
<b>5</b>	<b>Működési leírás</b> .....	270
5.1	Jellemzők .....	270
5.2	Kezelő- és kijelzőelemek .....	271
<b>6</b>	<b>Kezelés</b> .....	272
6.1	Az első használat előtt .....	272
6.2	Energiatakarékossági javaslatok .....	273
6.3	A hűtőláda csatlakoztatása .....	273
6.4	Az akkumulátorőr használata .....	274
6.5	A hűtőláda használata .....	275
6.6	Hőmérséklet beállítása .....	276
6.7	A hűtőláda kikapcsolása .....	277
6.8	A hűtőláda leolvasztása .....	277
6.9	A készülékbiztosíték cseréje .....	277
6.10	A csatlakozóbiztosíték (12/24 V) cseréje .....	278
6.11	A világítótest cseréje .....	278
<b>7</b>	<b>Tisztítás és ápolás</b> .....	278
<b>8</b>	<b>Szavatosság</b> .....	279
<b>9</b>	<b>Üzemzavar-elhárítás</b> .....	279
<b>10</b>	<b>Ártalmatlanítás</b> .....	280
<b>11</b>	<b>Műszaki adatok</b> .....	281

# 1 Szimbólumok magyarázata

**VESZÉLY!**

**Biztonsági tudnivaló:** Az utasítás figyelmen kívül hagyása halált vagy súlyos sérülést okoz.

**FIGYELMEZTETÉS!**

**Biztonsági tudnivaló:** Az utasítás figyelmen kívül hagyása halált vagy súlyos sérülést okozhat.

**VIGYÁZAT!**

**Biztonsági tudnivaló:** Az utasítás figyelmen kívül hagyása sérüléseket okozhat.

**FIGYELEM!**

Ha nem veszi figyelembe az információt, az anyagkárosodást eredményezhet, és káros kihatással lehet a termék működésére.

**MEGJEGYZÉS**

Kiegészítő információk a termék kezelésével kapcsolatosan.

## 2 Biztonsági tudnivalók

### 2.1 Általános biztonság

**FIGYELMEZTETÉS!**

- Ha a készüléken sérülések láthatók, akkor azt nem szabad üzembe helyezni.
- Ha a készülék csatlakozókábele megsérül, akkor azt – a veszélyeztetések elkerülése érdekében – a gyártóval, a vevőszolgálattal vagy egy hasonlóan képzett szakemberrel kell kicseréltetni.
- Javításokat csak szakemberek végezhetnek a készüléken. Nem szakszerű javítások jelentős veszélyeket okozhatnak.

- Jelen készüléket 8 év feletti gyermekek, valamint korlátozott fizikai, érzékszervi és szellemi képességű, illetve megfelelő tapasztalattal és/vagy tudással nem rendelkező személyek csak felügyelet mellett, illetve a készülék biztonságos használatát és az abból eredő veszélyeket megértve használhatják.
- A tisztítást és a felhasználói karbantartást gyermekek felügyelet nélkül nem végezhetik.
- A készülékkel gyerekek nem játszhatnak.
- A gyermekekre figyelni kell, hogy a készülékkel ne játszanak.
- A készüléket 8 év alatti gyermekek által nem hozzáférhető módon tárolja és használja.
- Ne tároljon a készülékben robbanékony anyagokat (például éghető hajtógázt tartalmazó permetpalackokat).

**VIGYÁZAT!**

- Az alábbi esetekben mindig húzza ki a készülék csatlakozódugóját a hálózati aljzathól:
  - minden tisztítás és karbantartás előtt
  - minden használat után.
- Élelmiszert csak eredeti csomagolásban vagy megfelelő tárolókban szabad tárolni.

**FIGYELEM!**

- Hasonlítsa össze a típustáblán feltüntetett a feszültségadatokot a rendelkezésre álló energiaellátással.
- A hűtőkészüléket a következő módon csatlakoztassa:
  - Az egyenáramú csatlakozókábellel a jármű egyenáramú fedélzeti aljzatához
  - vagy a váltakozó áramú csatlakozókábellel a váltakozó áramú hálózathoz.
- Soha ne húzza ki a csatlakozódugót a csatlakozókábelnél fogva az aljzathól.
- Ha a hűtőkészülék az egyenáramú aljzathoz van csatlakoztatva: Kösse le a hűtőkészüléket és más fogyasztókat az akkumulátorról, mielőtt gyorstöltő berendezést csatlakoztatna rá.
- Ha a hűtőkészülék az egyenáramú aljzathoz van csatlakoztatva: Húzza ki a csatlakozódugót vagy kapcsolja ki a hűtőkészüléket, ha a jármű motorját kikapcsolja. Ellenkező esetben az akkumulátor lemerülhet.
- A hűtőkészülék nem alkalmas maró hatású vagy oldószert tartalmazó anyagok szállítására.

- A hűtőegység szigetelése gyúlékony ciklopentánt tartalmaz. A szigetelőanyagban található gázok miatt különleges ártalmatlanítási eljárásra van szükség. A hűtőegységet az élettartama végén a szabályozásoknak megfelelően ártalmatlaníttassa.

## 2.2 Biztonság a készülék üzemeltetése során



### VIGYÁZAT!

- Üzembe helyezés előtt ügyeljen arra, hogy a vezeték és a dugasz száraz legyen.



### FIGYELEM!

- Ne használjon elektromos készülékeket a hűtőkészüléken belül, kivéve ha ezeket a készülékeket a gyártó erre a célra javasolja.
- Ne helyezze a készüléket nyílt láng vagy más hőforrás közelébe (fűtés, erős napsugárzás, gázkályha stb.).
- **Tűlforrósodás veszélye!**  
Mindig ügyeljen arra, hogy az üzemeltetés során keletkező hő kielégítően eltávozhasson. A levegő keringetése érdekében gondoskodjon arról, hogy a készülék kielégítő távolságban álljon a faltól vagy tárgyaktól.
- Ügyeljen arra, hogy a szellőzőnyílások ne legyenek lefedve.
- Ne töltsön folyadékot vagy jeget a belső tartályba.
- Soha ne merítse vízbe a készüléket.
- Védje a készüléket és a kábeleket a hőtől és a nedvességtől.

## 3 Szállítási terjedelem

Szám	Mennyiség	Megnevezés
<b>1.</b> ábra, <b>3.</b> oldal		
1	1	Hűtőláda
2	1	Csatlakozókábel 12/24 V=== csatlakozáshoz
3	1	Csatlakozókábel 100 – 240 V~ csatlakozáshoz

Szám 1. ábra, 3. oldal	Mennyiség	Megnevezés
4	2	Tartófogantyú, összetevők: <ul style="list-style-type: none"> <li>– 2 tartó</li> <li>– 1 markolat</li> <li>– 4 rögzítőcsavar</li> </ul>
–	1	Kezelési útmutató

## 4 Rendeltetésű használat

A hűtőláda élelmiszerek hűtésére és fagyasztására alkalmas. A készülék hajókon való üzemeltetésre is alkalmas.

A készülék gépjármű (például szivargyújtó), hajó vagy lakókocsi 12 V $\equiv$  vagy 24 V $\equiv$  feszültségű fedélzeti dugaszolóaljzatáról, valamint 100 – 240 V $\sim$  váltakozó áramú hálózatról üzemeltethető.



### **VIGYÁZAT! Egészségkárosodás veszélye!**

Ellenőrizze, hogy a készülék hűtőtéljesítménye megfelel-e a hűteni kívánt élelmiszerek vagy gyógyszerek követelményeinek.

## 5 Működési leírás

A hűtőláda áruk lehűtésére, hidegen tartására, illetve mélyhűtésére alkalmas. A hűtést karbantartást nem igénylő, kompresszorral ellátott hűtőkör teszi lehetővé. A különösen hatékony szigetelés és az erőteljes kompresszor különösen gyors hűtést biztosít.

A hűtőláda mobil használatra alkalmas.

Hajókon történő használat esetén a hűtőláda tartósan 30°-os dőlésnek is kitéhető.

### 5.1 Jellemzők

- Elsőbbségi kapcsolást biztosító hálózati tápegység váltófeszültségre való csatlakozáshoz
- Háromfokozatú akkumulátorőr a jármű akkumulátorának védelmére
- Turbó mód a gyorsabb hűtéshez

- Kijelző hőmérséklet-megjelenítéssel,  
Alacsony akkumulátorfeszültség esetén automatikusan kikapcsol
- Hőmérséklet-beállítás: Két gombbal 1 °C-os ( 2 °F-es) lépésekben
- Felszerelhető tartófogantyúk

## 5.2 Kezelő- és kijelzőelemek

### CF35, CF40

A fedél reteszelése: **2**. ábra 1, 3. oldal

### CF35, CF40, CF50

Kezelőpanel **3**. ábra, 3. oldal)

Tétel	Megnevezés	Magyarázat
1	ON OFF	A gombot egy-két másodpercig megnyomva a készülék ki- vagy bekapcsolására szolgál
2	POWER (Tápellátás)	Az üzemelés kijelzése
		A LED zölden világít: A kompresszor be van kapcsolva
		A LED narancssárgán világít: A kompresszor ki van kapcsolva
		A LED narancssárgán villog: A kijelző alacsony akkumulátorfeszültség miatt automatikusan kikapcsolt
3	ERROR (Hiba)	A LED pirosan villog: A bekapcsolt készülék nem üzemkész
4	SET (Beállítás)	Meghatározza a beviteli módot – Hőmérséklet-beállítás – °C vagy °F fok megjelenítése – Akkumulátorór beállítása
5	–	Kijelző az értékek megjelenítéséhez
6	UP + (Fel)	Egyszeri megnyomása növeli a kiválasztott beviteli értéket
7	DOWN – (Le)	Egyszeri megnyomása csökkenti a kiválasztott beviteli értéket

Csatlakozóaljzatok (**4**. ábra, 4. oldal):

**Tétel Megnevezés**

- |   |  |
|---|--|
| 1 | Csatlakozóaljzat váltakozó feszültségű tápellátáshoz |
| 2 | Biztosítókapcsoló                                    |
| 3 | Csatlakozóaljzat egyenfeszültségű tápellátáshoz      |

## 6 Kezelés

### 6.1 Az első használat előtt

**MEGJEGYZÉS**

Mielőtt az új hűtőládát üzembe helyezné, higiéniai okokból tisztítsa meg belül és kívül nedves ruhával (lásd „Tisztítás és ápolás” fej., 278. oldal).

#### A fogantyúk felszerelése

A fogantyúk a készülékhez mellékelve vannak. A fogantyúk felszerelése során a következő módon járjon el:

- ▶ Dugjon össze két-két tartót (5. ábra 1, 4. oldal) és egy-egy markolatot (5. ábra 2, 4. oldal) egy fogantyúvá.
- ▶ Rögzítse a fogantyút a mellékelt csavarokkal az erre szolgáló furatokban.

#### A fedéltartó megfordítása (CF50)

Ha a fedelet a mások oldalról szeretné kinyitni, lehetősége van a fedéltartó megfordítására. Ehhez a következő módon járjon el:

- ▶ Nyissa fel és húzza ki azt (6. ábra A, 5. oldal).
- ▶ Forgassa el a fedelet.
- ▶ Helyezze be a fedelet a hűtőláda szemközti oldalán lévő fedéltartóba (6. ábra B, 5. oldal).

#### A hőmérséklet mértékegységének kiválasztása

A hőmérséklet értékeinek megjelenítése Celsius-fokban vagy Fahrenheit-fokban választható meg. Ehhez a következő módon járjon el:

- ▶ Kapcsolja be a hűtőládát.
- ▶ Nyomja meg a „SET” gombot (3. ábra 4, 3. oldal) kétszer.



- ▶ A hőmérséklet mértékegységét az „UP +” (3. ábra 6, 3. oldal), illetve „DOWN –” (3. ábra 7, 3. oldal), gombokkal állíthatja be Celsius- vagy Fahrenheit-fokra.
- ✓ A kijelző néhány másodpercig mutatja a beállított hőmérsékletegységet. A kijelző néhányszor villog, mielőtt az aktuális hőmérséklet kijelzéséhez visszatér.

## 6.2 Energiatakarékosági javaslatok

- A készülék működtetéséhez válasszon jól szellőző és napfénytől védett helyet.
- Hagyja lehűlni a meleg ételeket, mielőtt azokat hidegen tartaná a készülékben.
- Ne nyissa ki a hűtőkészüléket a szükségesnél gyakrabban.
- Ne hagyja nyitva a hűtőkészüléket a szükségesnél hosszabban.
- Ha a hűtőládában jég réteg alakult ki, olvassza le.
- Kerülje a fölöslegesen alacsony belső hőmérsékletet.

## 6.3 A hűtőláda csatlakoztatása

### Csatlakoztatás akkumulátorra (jármű vagy hajó)

A hűtődoboz 12 V vagy 24 V egyenfeszültséggel üzemeltethető.



#### **FIGYELEM! Sérülésveszély!**

Kösse le a hűtőládát és más fogyasztókat az akkumulátorról, mielőtt az akkumulátort gyorsítottó készülékkel töltené fel.

A készülékek elektronikáját a túlfeszültségek károsíthatják.

A biztonság érdekében a hűtődoboz elektronikus polaritásvédelemmel rendelkezik, amely a hűtődobozt az akkumulátorhoz való csatlakoztatásnál póluscsere és rövidzárlat ellen védi.

- ▶ Illesze be a 12/24 V-os csatlakozókábelt (1. ábra 2, 3. oldal) az egyenfeszültségű aljzatba, majd csatlakoztassa a kábelt a szivargyújtóhoz, illetve egy 12 V-os vagy 24 V-os aljzathoz.

## Csatlakoztatás 100 – 240 V-os váltakozó áramú hálózathoz (pl. otthon, vagy az irodában)



### VESZÉLY! Áramütés miatti életveszély!

- Soha ne dolgozzon dugós csatlakozókkal és kapcsolókkal, ha nedves a keze vagy nedves helyen áll.
- Ha hűtőládát egy hajó fedélzetén száraz helyiségekben használatos csatlakozóval kell üzemeltetnie a 100 – 240 V-os váltakozó áramú hálózatról, akkor minden esetben FI-védőkapcsolót kell a 100 – 240 V-os váltakozó áramú hálózat és a hűtőláda közé kapcsolnia.  
Ilyen esetben kérje szakember tanácsát.

A hűtőládák beépített, többfeszültségű, elsőbbségi kapcsolással ellátott hálózati adapterrel rendelkeznek a 100 – 240 V-os váltakozó feszültségre való csatlakozáshoz. Az elsőbbségi kapcsolás a készülék 100 – 240 V-os váltakozó feszültségre csatlakoztatása esetén még akkor is automatikusan hálózati üzemmódra vált, ha a 12/24 V-os csatlakozókábel még csatlakoztatva van.

Váltakozó áramú hálózat és akkumulátor tápellátás közötti átkapcsoláskor a piros LED pár percig világíthat.

- ▶ Illeszze be a 100 – 240 V-os csatlakozókábelt (1. ábra 3, 3. oldal) a váltakozó feszültségű dugaszolóaljzatba és csatlakoztassa azt a 100 – 240 V-os váltakozó áramú hálózathoz.

## 6.4 Az akkumulátor használata

A készülék többfokozatú akkumulátorórral van ellátva, amely a jármű 12/24 V-os hálózatára való csatlakozás esetén védi járműve akkumulátorát a túlzott lemerüléstől.

Ha a hűtőkonténer kikapcsolt gyújtás mellett a járműben használja, akkor a hűtőkonténer automatikusan kikapcsol, amint a tápfeszültség egy beállítható érték alá csökken. A hűtőkonténer ismét bekapcsol, amint az akkumulátor a feltöltés során eléri az újrabekapcsolási feszültséget.



### FIGYELEM! Sérülésveszély!

Az akkumulátor az akkumulátorfigyelő általi lekapcsolás esetén már nem rendelkezik teljes töltéskapacitásával; ilyen esetben kerülje a többszöri indítást vagy áramfogyasztók hosszabb töltési fázisok nélkül történő üzemeltetését. Gondoskodjon az akkumulátor újratöltéséről.

„HIGH” üzemmódban az akkumulátorfigyelő hamarabb jelez, mint „LOW” és „MED” üzemmód esetén (lásd a következő táblázatot).

Akkumulátorfigyelő üzemmód	LOW	MED	HIGH
Kikapcsolási feszültség 12 V esetén	10,1 V	11,4 V	11,8 V
Újrabekecsolási feszültség 12 V esetén	11,1 V	12,2 V	12,6 V
Kikapcsolási feszültség 24 V esetén	21,5 V	24,1 V	24,6 V
Újrabekecsolási feszültség 24 V esetén	23,0 V	25,3 V	26,2 V

Az akkumulátorór üzemmódjának kiválasztásához tegye a következőt:

- ▶ Kapcsolja be a hűtőládát.
- ▶ Nyomja meg a „SET” gombot (3. ábra 4, 3. oldal) háromszor.
- ▶ Az „UP +” (3. ábra 6, 3. oldal) ill. a „DOWN -” (3. ábra 7, 3. oldal), gomb segítségével válassza ki az akkumulátorór üzemmódját.
- ✓ A kijelző néhány másodpercig a kiválasztott üzemmódot mutatja. A kijelző néhányszor villog, mielőtt az aktuális hőmérséklet kijelzéséhez visszatér.



### MEGJEGYZÉS

Ha a hűtőládát indítóakkumulátorról használja, akkor válassza a „HIGH” akkuór-üzemmódot. Ha a hűtőládát valamelyik indítóakkumulátorról használja, akkor elegendő a „LOW” akkuór-üzemmód.

Ha váltakozó áramú hálózaton szeretné üzemeltetni a hűtőládát, állítsa az akkuort „LOW” értékre.

## 6.5 A hűtőláda használata



### FIGYELEM! Túlmelegedés miatti veszély!

Mindig ügyeljen arra, hogy az üzemeltetés során keletkező hő kielégítően eltávozhasson. Ügyeljen arra, hogy a szellőzőnyílások ne legyenek lefedve. A levegő keringetése érdekében gondoskodjon arról, hogy a készülék kielégítő távolságban álljon a faltól vagy tárgytól.

- ▶ A hűtőládát szilárd aljzatra állítsa. Ügyeljen arra, hogy a szellőzőnyílások ne legyenek lefedve és a meleg levegő megfelelően távozhasson.

**MEGJEGYZÉS**

A hűtőládát az ábrázolt módon állítsa fel (1. ábra, 3. oldal). Ha a hűtőládát másik helyzetben üzemelteti, akkor a készülék károsodhat.

- Csatlakoztassa a hűtőládát, lásd „A hűtőláda csatlakoztatása” fejr., 273. oldal.

**MEGJEGYZÉS**

Ha váltakozó áramú hálózaton szeretné üzemeltetni a hűtőládát, állítsa az akkuort „LOW” értékre.

**FIGYELEM! Túl alacsony hőmérséklet miatti veszély!**

Ügyeljen arra, hogy csak olyan tárgyak, ill. áruk legyenek a hűtőládjában, amelyek lehűthetők a kiválasztott hőmérsékletre.

- Tartsa nyomva az „ON/OFF” gombot (3. ábra 1, 3. oldal) egy-két másodpercig.
- ✓ A „POWER” LED világít.
- ✓ A kijelző (3. ábra 5, 3. oldal) bekapcsol és mutatja az aktuális hűtési hőmérsékletet.

**MEGJEGYZÉS**

A megjelenő hőmérsékletérték a beltér közepére vonatkozik. Más helyek hőmérséklete ettől az értéktől eltérhet.

- ✓ A hűtőláda a belső tér hűtésével kezdi a működést.

**MEGJEGYZÉS**

akkumulátorról történő használat esetén a kijelző automatikusan kikapcsol, ha az akkumulátorfeszültség alacsony. A „POWER” LED narancssárgán villog.

**A hűtőláda reteszelése (CF35, CF40)**

- Zárja le a fedelet.
- Nyomja le a reteszt (2. ábra 1, 3. oldal) addig, hogy az hallhatóan bekattanjon.

**6.6 Hőmérséklet beállítása**

- Nyomja meg a „SET” (3. ábra 4, 3. oldal) gombot egyszer.
- Az „UP +” (3. ábra 6, 3. oldal) ill. a „DOWN -” (3. ábra 7, 3. oldal) gomb segítségével állítsa be a hűtési hőmérsékletet.

- ✓ A kijelző néhány másodpercig a beállított kívánt hőmérsékletet mutatja. A kijelző néhányszor villog, mielőtt az aktuális hőmérséklet kijelzéséhez visszatér.

## 6.7 A hűtőláda kikapcsolása

- ▶ Ürítse ki a hűtőládát.
- ▶ Kapcsolja ki a hűtőládát.
- ▶ Húzza ki a csatlakozókábelt.

Ha a hűtőládát hosszabb ideig nem fogja használni:

- ▶ Hagyja a fedelet kissé nyitva. Így megakadályozhatja szagok képződését.

## 6.8 A hűtőláda leolvasztása

A levegő nedvességtartalma a párologtatónál vagy a hűtőláda belső terében deret képezve csökkenti a hűtőteljesítményt. Olvassza le időben a készüléket.



### **FIGYELEM! Sérülésveszély!**

A jég rétegek eltávolítására vagy odafagyott tárgyak leválasztására soha ne használjon kemény vagy hegyes szerszámokat.

A hűtőláda leolvasztásához a következő módon járjon el:

- ▶ Vegye ki a hűtött árukat.
- ▶ Tárolja azokat adott esetben egy másik hűtőkészülékben, hogy hidegek maradjanak.
- ▶ Kapcsolja ki a készüléket.
- ▶ Hagyja nyitva a fedelet.
- ▶ Törölje fel az olvadékvizet.

## 6.9 A készülék biztosíték cseréje



### **VESZÉLY! Áramütés miatti életveszély!**

A készülék biztosítékának cseréje előtt húzza ki a csatlakozókábelt.

- ▶ Húzza ki a csatlakozókábeleket.
- ▶ Pattintsa ki a biztosítékbetétet (4. ábra 2, 4. oldal) például egy csavarhúzó segítségével.

- Cserélje ki a hibás biztosítékot új, azonos értékű (T4AL 250V) biztosítékra.
- Pattintsa vissza a biztosítékbetétet a készülékbe.

## 6.10 A csatlakozóbiztosíték (12/24 V) cseréje

- Húzza le a kiegyenlítő perselyt (7. ábra 4, 5. oldal) a dugaszról.
- Csavarozza ki a csavart (7. ábra 5, 5. oldal) készülékház felső részéből (7. ábra 1, 5. oldal).
- Óvatosan emelje le a készülékház felső felét az alsóról (7. ábra 6, 5. oldal).
- Vegye ki az érintkezőcsapot (7. ábra 3, 5. oldal).
- Cserélje ki a meghibásodott biztosítékot (7. ábra 2, 5. oldal) egy azonos paraméterekkel rendelkező (8 A, 32 V) új biztosítékra.
- Fordított sorrendben szerelje össze a dugócsatlakozót.



### MEGJEGYZÉS – Belső DC biztosíték

A készüléken belül kiegészítő DC biztosíték található (szabványos autóiipari késes biztosíték, 10 A). A biztosítékot csak engedéllyel rendelkező vevőszolgálat cserélheti ki.

## 6.11 A világítótest cseréje

- Nyomja lefelé a kapcsolótűskét (8. ábra 2, 5. oldal) úgy, hogy a lámpa átlátszó része (8. ábra 1, 5. oldal) előről levehető legyen.
- Cserélje ki a világítótestet.



### MEGJEGYZÉS

A világítótestben lévő LED-eket a lámpa átlátszó része felé kell irányítani.

- Helyezze vissza újból a lámpa átlátszó részét a házba.

# 7 Tisztítás és ápolás



### FIGYELMEZTETÉS!

A készüléket minden tisztítás és karbantartás előtt válassza le a hálózatról.



### FIGYELEM! Sérülés veszélye!

- Soha ne tisztítsa a hűtőkészüléket folyó víz alatt vagy mosogatóvízben.
- Ne használjon a tisztításhoz éles tisztítóeszközöket vagy kemény tárgyakat, mert azok a hűtőkészüléket megsérthetik.

- Alkalmanként tisztítsa meg a készüléket kívül-belül nedves ruhával.
- Biztosítsa, hogy a készülék szellőztető és légtelenítő nyílásai por- és szennyeződésmentesek legyenek, mert így az üzem közben létrejövő hő távozik és a készülék nem károsodik.

## 8 Szavatosság

A termékre a törvény szerinti szavatossági időszak érvényes. A termék meghibásodása esetén forduljon a gyártói lerakathoz (a címeket lásd jelen útmutató hátoldalán), illetve az illetékes szakkereskedőhöz.

A javításhoz, illetve a szavatossági adminisztrációhoz a következő dokumentumokat kell mellékelnie:

- a számla vásárlási dátummal rendelkező másolatát,
- a reklamáció okát vagy a hibát tartalmazó leírást.

## 9 Üzemzavar-elhárítás

Üzemzavar	Hiba lehetséges oka	Megoldási javaslat
A készülék nem működik, a LED nem világít.	A jármű 12/24 V-os dugaszolóaljzatában (szivargyújtó) nincs feszültség.	A legtöbb járműben be kell kapcsolni a gyújtást ahhoz, hogy feszültség legyen a szivargyújtóban.
	A váltakozó áramú aljzatban nincs feszültség.	Próbáljon egy másik aljzatot használni.
	A készülékbiztosíték meghibásodott.	Cserélje ki a készülékbiztosítékot, lásd „A készülékbiztosíték cseréje” fejj., 277. oldal.
	A beépített hálózati tápegység hibás.	A javítást csak engedéllyel rendelkező vevőszolgálat végezheti.

Üzemzavar	Hiba lehetséges oka	Megoldási javaslat
A készülék nem hűt (a dugócsatlakozó be van dugva, a „POWER” LED világít).	A kompresszor meghibásodott.	A javítást csak engedéllyel rendelkező vevőszolgálat végezheti.
A készülék nem hűt (a dugócsatlakozó be van dugva, a „POWER” LED narancssárgán villog, a kijelző ki van kapcsolva).	Az akkumulátorfeszültség túl alacsony.	Ellenőrizze és szükség esetén töltsse fel az akkumulátort.
DC kimenetről való üzemeltetéskor: A gyújtás be van kapcsolva, a készülék nem működik és a LED nem világít.	Elszennyeződött a DC kimenet. Emiatt rossz az elektromos érintkezés.	Ha a hűtőkészülék dugasza nagyon felmelegszik a DC kimenetben, akkor vagy a DC kimenetet kell megtisztítani, vagy esetleg a dugasz van hibásan összeszerelve.
	Kiégett az egyenáramú dugasz biztosítéka.	Cserélje ki a DC dugasz biztosítékát, lásd: „A csatlakozóbiztosíték (12/24 V) cseréje” fejelet, 278. oldal.
	Kiégett a készüléken belüli DC biztosíték.	A javítást csak engedéllyel rendelkező vevőszolgálat végezheti.
	Kiégett a jármű biztosítéka.	Cserélje ki a jármű DC kimenetének biztosítékát. Vegye figyelembe a jármű kezelési útmutatóját.
A kijelzőn hibaüzenet (pl. „Err1”) jelent meg és a készülék nem hűt.	Belső üzemzavar miatt a készülék kikapcsolt.	A javítást csak engedéllyel rendelkező vevőszolgálat végezheti.

## 10 Ártalmatlanítás

- A csomagolóanyagot lehetőleg a megfelelő újrahasznosítható hulladék közé tegye.



Ha a terméket véglegesen kivonja a forgalomból, kérjük, tájékozódjon a legközelebbi hulladékártalmatlanító központnál vagy a szakkereskedőjénél az idevonatkozó ártalmatlanítási előírásokkal kapcsolatban.



# 11 Műszaki adatok

	<b>CF35</b>	<b>CF40</b>
Névleges feszültség:	12/24 V $\equiv$ és 100 – 240 V $\sim$	
Névleges áram:		
– 12 V $\equiv$ :	6,0 A	6,0 A
– 24 V $\equiv$ :	3,0 A	3,0 A
– 100 – 240 V $\sim$ :	1,3 és 0,7 A között	1,3 és 0,7 A között
Hűtési teljesítmény:	+10 °C ... -18 °C (+50 °F ... 0 °F)	
Kategória:	1	1
Energiahatékonysági osztály:	A+	A+
Energiafogyasztás:	92 kWh/év	101 kWh/év
Hasznos térfogat:	31 l	37 l
Klímaosztály:	N, ST, T	N, ST, T
Környezeti hőmérséklet:	+16 °C – +43 °C	+16 °C – +43 °C
Zajkibocsátás:	45 dB (A)	45 dB (A)
Hűtőközeg mennyisége:	38 g	41 g
CO <sub>2</sub> -egyenérték:	0,054 t	0,059 t
Üvegházpotenciál (GWP):	1430	
Méreték (szélesség x magasság x mélység) mm-ben:	580 x 385 x 360	580 x 445 x 360
Súly:	15 kg	16 kg

	<b>CF50</b>
Csatlakozási feszültség:	12/24 V $\equiv$ és 100 – 240 V $\sim$
Névleges áram:	
– 12 V $\equiv$ :	7,0 A
– 24 V $\equiv$ :	3,0 A
– 100 – 240 V $\sim$ :	1,3 és 0,7 A között
Hűtési teljesítmény:	+10 °C ... -18 °C (+50 °F ... 0 °F)
Kategória:	1
Energiahatékonysági osztály:	A+
Energiafogyasztás:	110 kWh/év
Hasznos térfogat:	47 l
Klímaosztály:	N, ST, T
Környezeti hőmérséklet:	+16 °C – +43 °C
Zajkibocsátás:	45 dB (A)
Hűtőközeg mennyisége:	41 g
CO <sub>2</sub> -egyenérték:	0,059 t
Üvegházpotenciál (GWP):	1430
Méreték (szélesség x magasság x mélység) mm-ben:	630 x 480 x 360
Tömeg:	18 kg

**MEGJEGYZÉS**

32 °C (90 °F) fölötti környezeti hőmérséklet esetén a minimális hőmérséklet már nem érhető el.

Vizsgálat / tanúsítványok:



A hűtőkör R134a közeget tartalmaz.

Fluorozott üvegházgázokat tartalmaz

Hermetikusan zárt berendezés



**GERMANY****Dometic WAECO International GmbH**

Hollefeldstraße 63 · D-48282 Emsdetten  
 ☎ +49 (0) 2572 879-0 · 📠 +49 (0) 2572 879-300  
 Mail: info@dometic-waeco.de

**AUSTRALIA****Dometic Australia Pty. Ltd.**

1 John Duncan Court  
 Varsity Lakes QLD 4227  
 ☎ 1800 212121  
 ☎ +61 7 55076001  
 Mail: sales@dometic.com.au

**AUSTRIA****Dometic Austria GmbH**

Neudorferstraße 108  
 A-2353 Guntramsdorf  
 ☎ +43 2236 908070  
 📠 +43 2236 90807060  
 Mail: info@dometic.at

**BENELUX****Dometic Branch Office Belgium**

Lourdesstraat 84  
 B-8940 Geluwe  
 ☎ +32 2 3598040  
 📠 +32 2 3598050  
 Mail: info@dometic.be

**BRAZIL****Dometic DO Brasil LTDA**

Avenida Paulista 1754, conj. 111  
 SP 01310-920 Sao Paulo  
 ☎ +55 11 3251 3352  
 📠 +55 11 3251 3362  
 Mail: info@dometic.com.br

**DENMARK****Dometic Denmark A/S**

Nordensvej 15, Taulov  
 DK-7000 Fredericia  
 ☎ +45 75585966  
 📠 +45 75586307  
 Mail: info@dometic.dk

**FINLAND****Dometic Finland OY**

Mestariitie 4  
 FIN-01730 Vantaa  
 ☎ +358 20 7413220  
 📠 +358 9 7593700  
 Mail: info@dometic.fi

**FRANCE****Dometic SAS**

ZA du Pré de la Dame Jeanne  
 B.P. 5  
 F-60128 Plessilly  
 ☎ +33 3 44633525  
 📠 +33 3 44633518  
 Mail: vehiculesdeloisirs@dometic.fr

**HONG KONG****Dometic Group Asia Pacific**

Suites 2207-11 / 22/F - Tower 1  
 The Gateway - 25 Canton Road,  
 Tsim Sha Tsui - Kowloon  
 ☎ +852 2 4611386  
 📠 +852 2 4665553  
 Mail: info@waeco.com.hk

**HUNGARY****Dometic Zrt. Sales Office**

Kerekgyártó u. 5.  
 H-1147 Budapest  
 ☎ +36 1 468 4400  
 📠 +36 1 468 4401  
 Mail: budapest@dometic.hu

**ITALY****Dometic Italy S.r.l.**

Via Virgilio, 3  
 I-47122 Forlì (FC)  
 ☎ +39 0543 754901  
 📠 +39 0543 754983  
 Mail: vendite@dometic.it

**JAPAN****Dometic KK**

Maekawa-Shibaura, Bldg. 2  
 2-13-9 Shibaura Minato-ku  
 Tokyo 108-0023  
 ☎ +81 3 5445 3333  
 📠 +81 3 5445 3339  
 Mail: info@dometic.jp

**MEXICO****Dometic Mx, S. de R. L. de C. V.**

Circuito Médicos No. 6 Local 1  
 Colonia Ciudad Satélite  
 CP 53100 Naucalpan de Juárez  
 Estado de México  
 ☎ +52 55 5374 4108  
 📠 +52 55 5393 4683  
 Mail: info@dometic.com.mx

**NETHERLANDS****Dometic Benelux B.V.**

Ecustraat 3  
 NL-4879 NP Etten-Leur  
 ☎ +31 76 5029000  
 📠 +31 76 5029019  
 Mail: info@dometic.nl

**NEW ZEALAND****Dometic New Zealand Ltd.**

PO Box 12011  
 Penrose  
 Auckland 1642  
 ☎ +64 9 622 1490  
 📠 +64 9 622 1573  
 Mail: customerservices@dometic.co.nz

**NORWAY****Dometic Norway AS**

Østerøyveien 46  
 N-3232 Sandefjord  
 ☎ +47 33428450  
 📠 +47 33428459  
 Mail: firmapost@dometic.no

**POLAND****Dometic Poland Sp. z o.o.**

Ul. Puławska 435A  
 PL-02-801 Warszawa  
 ☎ +48 22 414 3200  
 📠 +48 22 414 3201  
 Mail: info@dometic.pl

**PORTUGAL****Dometic Spain, S.L.**

Branch Office em Portugal  
 Rot. de São Gonçalo nº 1 – Esc. 12  
 2775-399 Carcavelos  
 ☎ +351 219 244 173  
 📠 +351 219 243 206  
 Mail: info@dometic.pt

**RUSSIA****Dometic RUS LLC**

Komsomolskaya square 6-1  
 RU-107140 Moscow  
 ☎ +7 495 780 79 39  
 📠 +7 495 916 56 53  
 Mail: info@dometic.ru

**SINGAPORE****Dometic Pte Ltd**

18 Boon Lay Way  
 06-141 Trade Hub 21  
 Singapore 609966  
 ☎ +65 6795 3177  
 📠 +65 6862 6620  
 Mail: dometic@dometic.com.sg

**SLOVAKIA****Dometic Slovakia s.r.o.**

Sales Office Bratislava  
 Nádražná 34/A  
 900 28 Ivánka pri Dunaji  
 ☎/📠 +421 2 45 529 680  
 Mail: bratislava@dometic.com

**SOUTH AFRICA****Dometic (Pty) Ltd.**

Regional Office  
 South Africa & Sub-Saharan Africa  
 2 Avalon Road  
 West Lake View Ext 11  
 Modderfontein 1645  
 Johannesburg  
 ☎ +27 87 3530380  
 Mail: info@dometic.co.za

**SPAIN****Dometic Spain S.L.**

Avda. Sierra del Guadarrama, 16  
 E-28691 Villanueva de la Cañada  
 Madrid  
 ☎ +34 91 833 60 89  
 📠 +34 900 100 245  
 Mail: info@dometic.es

**SWEDEN****Dometic Scandinavia AB**

Gustaf Melins gata 7  
 SE-42131 Västra Frölunda  
 ☎ +46 31 7341100  
 📠 +46 31 7341101  
 Mail: info@dometicgroup.se

**SWITZERLAND****Dometic Switzerland AG**

Riedackerstrasse 7a  
 CH-8153 Rümlang  
 ☎ +41 44 8187171  
 📠 +41 44 8187191  
 Mail: info@dometic.ch

**UNITED ARAB EMIRATES****Dometic Middle East FZCO**

P. O. Box 17860  
 S-D 6, Jebel Ali Freezone  
 Dubai  
 ☎ +971 4 883 3858  
 📠 +971 4 883 3868  
 Mail: info@dometic.ae

**UNITED KINGDOM****Dometic UK Ltd.**

Dometic House, The Brewery  
 Blandford St. Mary  
 Dorset DT11 9LS  
 ☎ +44 344 626 0133  
 📠 +44 344 626 0143  
 Mail: customerservices@dometic.co.uk

**USA****Dometic RV Division**

1120 North Main Street  
 Elkhart, IN 46515  
 ☎ +1 574-264-2131