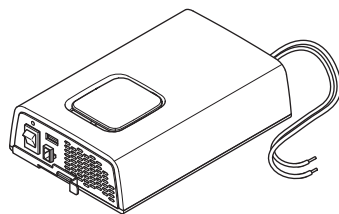
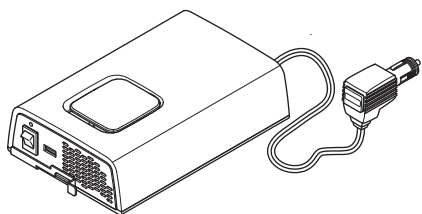


# ↔ DOMETIC

## ENERGY & LIGHTING

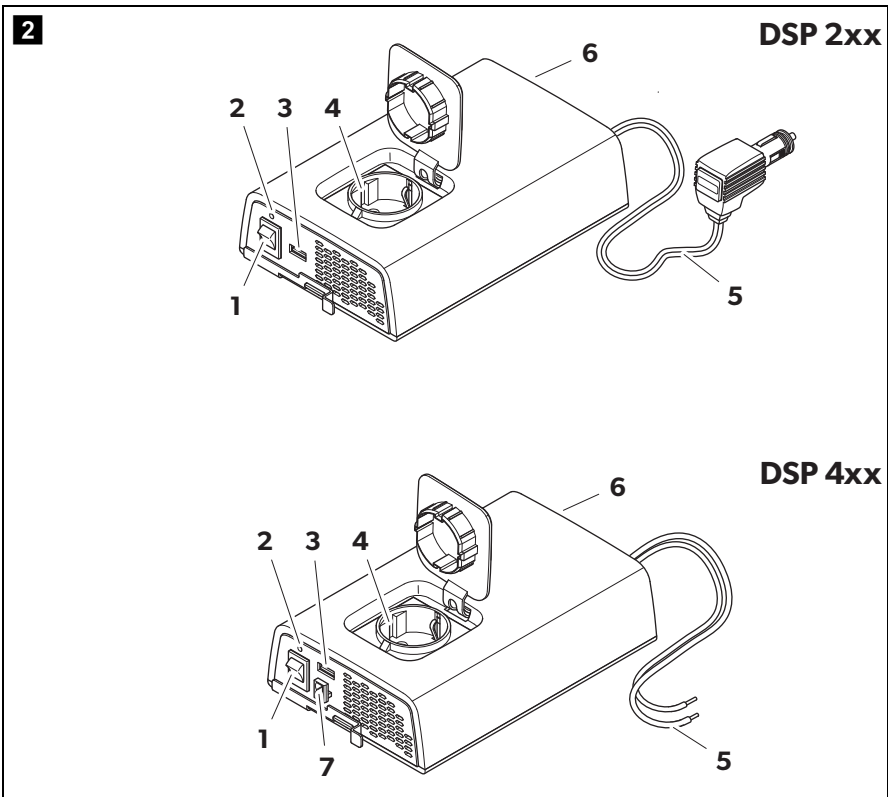
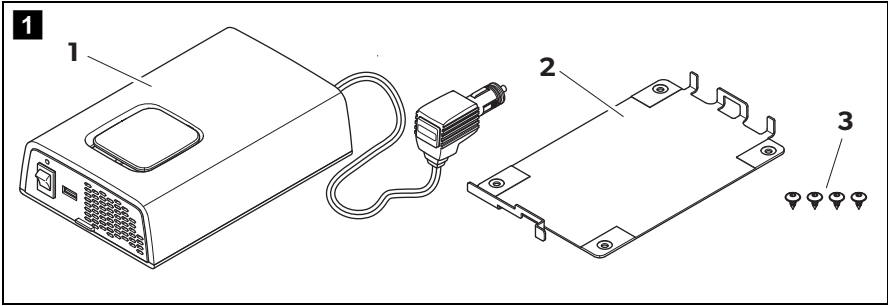
### SINEPOWER

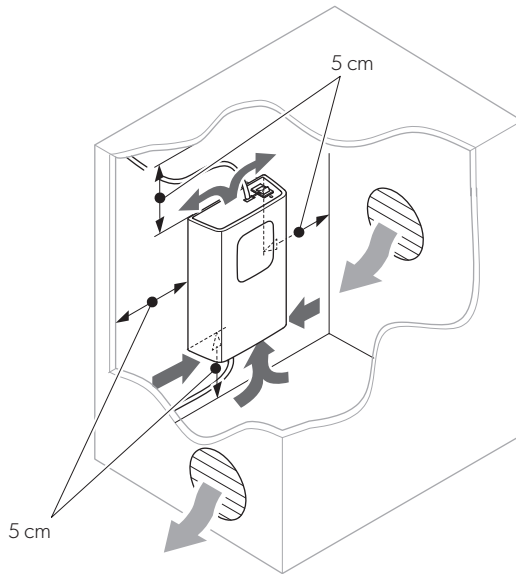
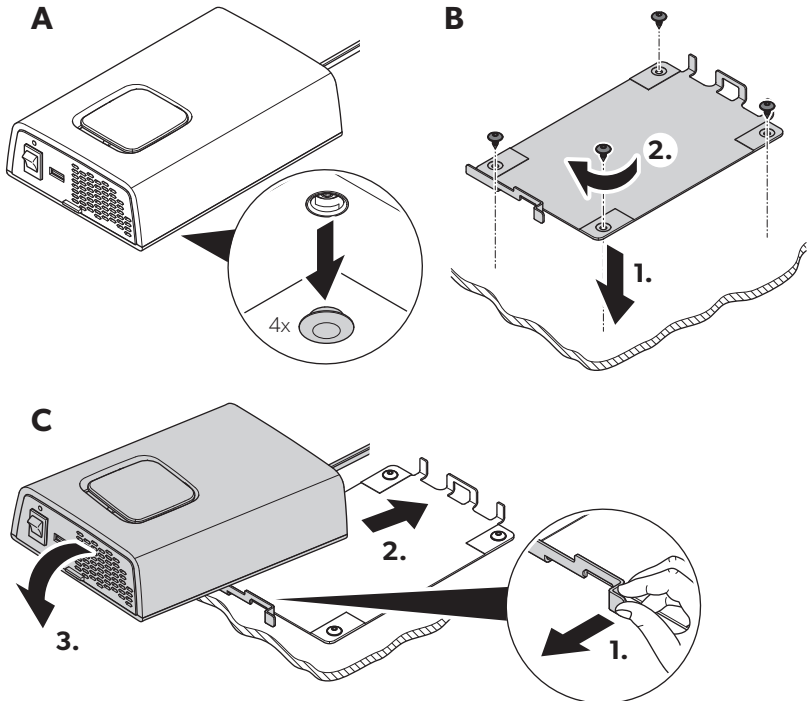


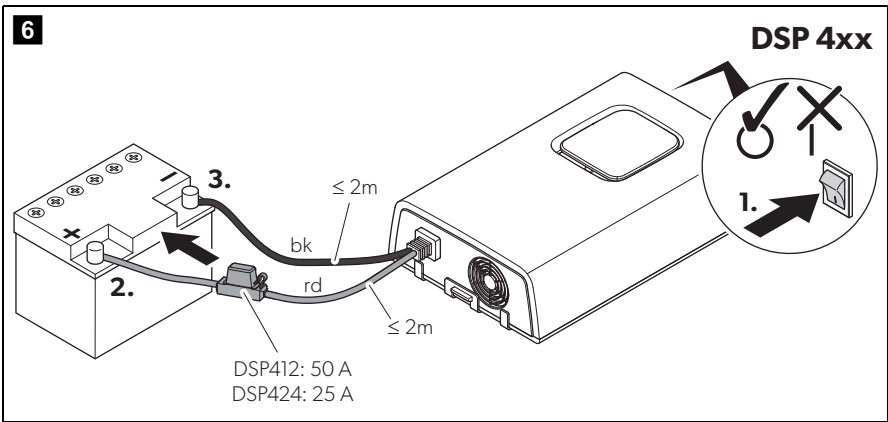
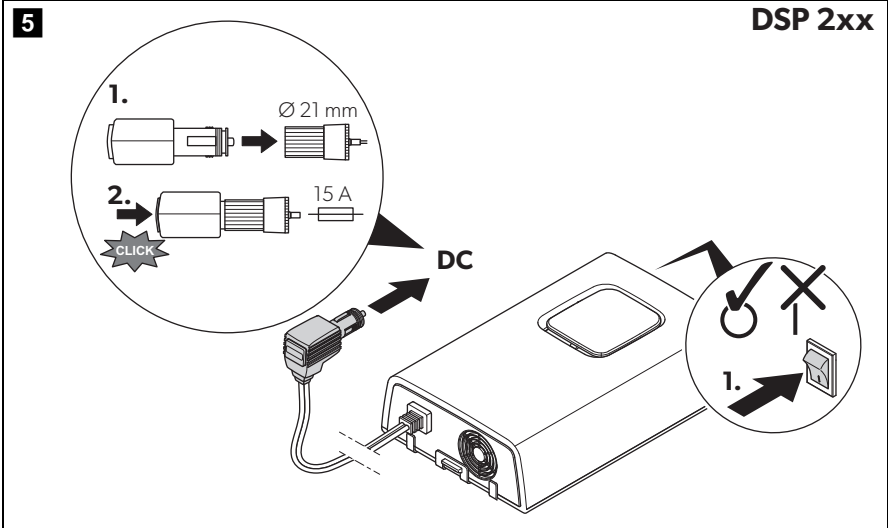
DSP212, DSP224, DSP412, DSP424

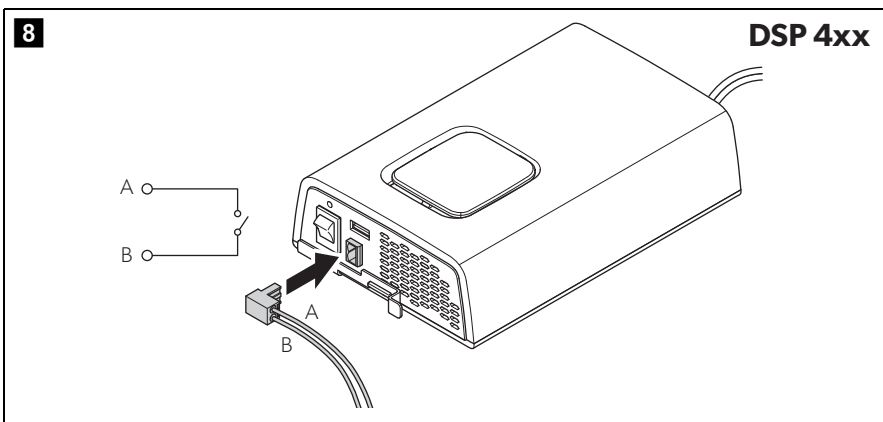
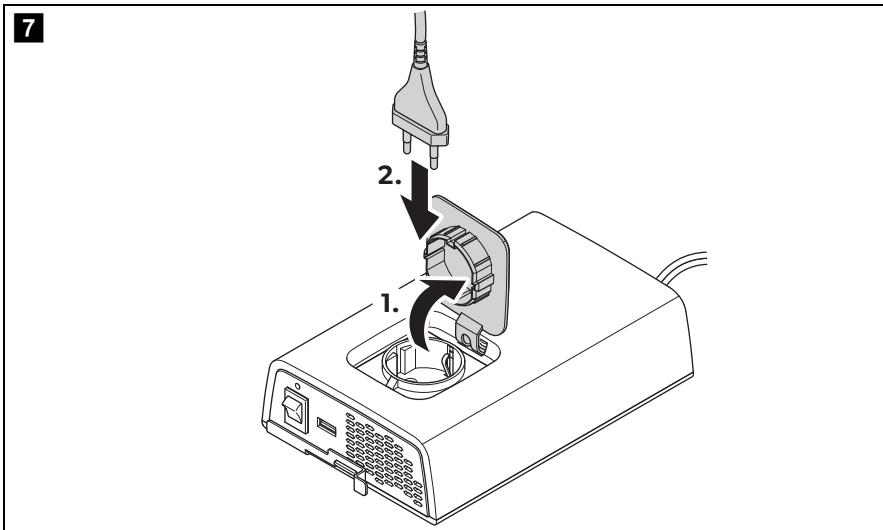
<b>EN</b>	<b>Sine wave inverter</b> Installation and Operating Manual . . . . . 8	<b>FI</b>	<b>Sinus -vaihtosuuntaaja</b> Asennus- ja käyttöohje . . . . . 158
<b>DE</b>	<b>Sinus-Wechselrichter</b> Montage- und Bedienungsanleitung . . . . . 23	<b>RU</b>	<b>Синусоидальный инвертор</b> Инструкция по монтажу и эксплуатации 173
<b>FR</b>	<b>Onduleur sinusoïdal</b> Instructions de montage et de service . . . . . 39	<b>PL</b>	<b>Przetwornica sinusoidalna</b> Instrukcja montażu i obsługi . . . . . 188
<b>ES</b>	<b>Convertidor de ondas seno</b> Instrucciones de montaje y de uso . . . . . 54	<b>SK</b>	<b>Sínusový menič napätia</b> Návod na montáž a uvedenie do prevádzky . . . . . 203
<b>PT</b>	<b>Conversor sinusoidal</b> Instruções de montagem e manual de instruções . . . . . 69	<b>CS</b>	<b>Sinusový měnič</b> Návod k montáži a obsluze . . . . . 218
<b>IT</b>	<b>Inverter sinusoidale</b> Istruzioni di montaggio e d'uso . . . . . 84	<b>HU</b>	<b>Színuszos inverter</b> Szerelési és használati útmutató . . . . . 233
<b>NL</b>	<b>Sinus ondulator</b> Montagehandleiding en gebruiksaanwijzing . . . . . 99		
<b>DA</b>	<b>Sinus ensretter</b> Monterings- og betjeningsvejledning . . . 114		
<b>SV</b>	<b>Sinus växelriktare</b> Monterings- och bruksanvisning . . . . . 129		
<b>NO</b>	<b>Sinus vekselretter</b> Monterings- og bruksanvisning . . . . . 144		



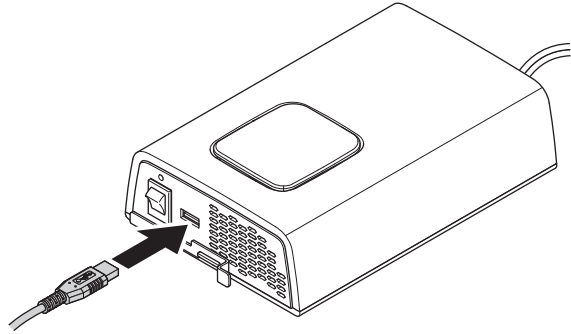


**3****4**

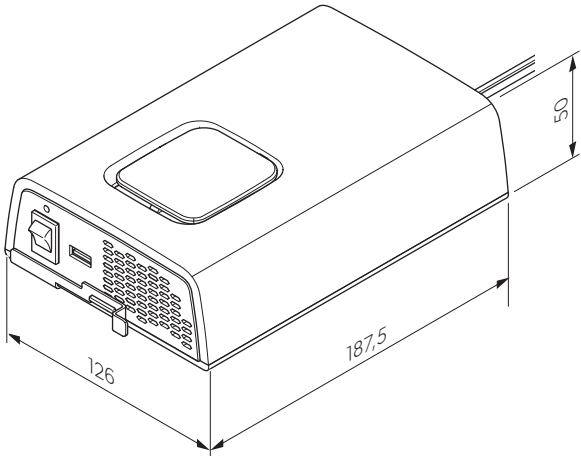




9



10



**Please read this instruction manual carefully before installation and first use, and store it in a safe place. If you pass on the product to another person, hand over this instruction manual along with it.**

## Table of contents

1	Explanation of symbols . . . . .	9
2	General safety instructions . . . . .	9
3	Scope of delivery . . . . .	13
4	Intended use . . . . .	13
5	Technical description . . . . .	14
6	Fitting the inverter . . . . .	16
7	Connecting the inverter . . . . .	16
8	Using the inverter . . . . .	17
9	Cleaning and caring for the inverter. . . . .	18
10	Troubleshooting . . . . .	19
11	Warranty . . . . .	20
12	Disposal . . . . .	20
13	Technical data . . . . .	21



# 1 Explanation of symbols

**DANGER!**

**Safety instruction:** Failure to observe this instruction will cause fatal or serious injury.

**WARNING!**

**Safety instruction:** Failure to observe this instruction can cause fatal or serious injury.

**NOTICE!**

Failure to observe this instruction can cause material damage and impair the function of the product.

**NOTE**

Supplementary information for operating the product.

## 2 General safety instructions

### 2.1 General safety

The manufacturer accepts no liability for damage in the following cases:

- Faulty assembly or connection
- Damage to the product resulting from mechanical influences and excess voltage
- Alterations to the product without express permission from the manufacturer
- Use for purposes other than those described in the operating manual

Note the following basic safety information when using electrical devices to protect against:

- Electric shock
- Fire hazards
- Injury

## 2.2 General safety



### **DANGER!**

- In the event of fire, use a fire extinguisher which is suitable for electrical devices.



### **WARNING!**

- Only use the device as intended.
- Ensure that the red and black terminals **never** come into contact.
- Disconnect the device from the mains:
  - Before cleaning and maintenance
  - Before changing a fuse
- If you disassemble the device:
  - Detach all connections
  - Make sure that no voltage is present at any of the inputs and outputs
- The device may not be used if the device itself or the connection cable are visibly damaged.
- If this power cable for this device is damaged, it must be replaced by the manufacturer, customer service or a similarly qualified person in order to prevent safety hazards.
- This device may only be repaired by qualified personnel. Inadequate repairs may cause serious hazards.
- This device can be used by children aged 8 years or over, as well as by persons with diminished physical, sensory or mental capacities or a lack of experience and/or knowledge, providing they are supervised or have been taught how to use the device safely and are aware of the resulting risks.
- **Electrical devices are not toys.**  
Always keep and use the appliance out of the reach of children.
- Children must be supervised to ensure that they do not play with the device.

**NOTICE!**

- Before start-up, check that the voltage specification on the type plate is the same as that of the power supply.
- Ensure that other objects **cannot** cause a short circuit at the contacts of the device.
- Never pull the plug out of the socket by the connection cable.
- Store the device in a dry and cool place.

## 2.3 Safety when installing the device

**DANGER!**

- Never mount the device anywhere where there is a risk of gas or dust explosion.

**CAUTION!**

- Ensure that the device is standing firmly.  
The device must be set up and fastened in such a way that it cannot tip over or fall down.

**NOTICE!**

- Do not expose the device to a heat source (such as direct sunlight or heating). Avoid additional heating of the device in this way.
- Set up the device in a dry location where it is protected against splashing water.

## 2.4 Safety when connecting the device electronically

**DANGER! Danger of electrocution**

- If you are working on electrical systems, ensure that there is somebody close at hand who can help you in emergencies.

**WARNING!**

- Never connect more than **one** consumer device to the inverter. If you connect more than one device, a short circuit may occur.
- Make sure that the lead has a sufficient cross-section.
- Lay the cables so that they cannot be damaged by the doors or the bonnet.  
Crushed cables can lead to serious injury.

**CAUTION!**

- Lay the cables so that they cannot be tripped over or damaged.

**NOTICE!**

- Use ductwork or cable ducts if it is necessary to lay cables through metal panels or other panels with sharp edges.
- Do **not** lay the 230 V mains cable and the 12 V DC cable in the same duct.
- Do **not** lay the cable so that it is loose or heavily kinked.
- Fasten the cables securely.
- Do not pull on the cables.

## 2.5 Operating the device safely

**DANGER! Danger of electrocution**

- Do not touch exposed cables with your bare hands. This applies especially when operating the device from the AC mains.

**WARNING!**

- Only use the device in closed, well-ventilated rooms.

**CAUTION!**

- Do **not** operate the device
  - In salty, wet or damp environments
  - In the vicinity of corrosive fumes
  - In the vicinity of combustible materials
  - In areas where there is a danger of explosions.
- Before starting the device, ensure that the power supply line and the plug are dry.
- Always disconnect the power supply when working on the device.
- Please observe that parts of the device may still conduct voltage even if the fuse has blown.
- Do not disconnect any cables when the device is still in use.

**NOTICE!**

- Make sure the air inlets and outlets of the device are not covered.
- Ensure good ventilation.

### 3 Scope of delivery

No. in fig. 1, page 3	Designation
1	Sine wave inverter
2	Holder
3	Fixing screws
–	Operating manual

### 4 Intended use



#### WARNING!

Never use the inverter on vehicles where the positive terminal of the battery is connected to the chassis.

The wave inverter converts direct current into a 230 V AC supply of 50 Hz:

- **12 V**: DSP 212, DSP 412
- **24 V**: DSP 224, DSP 424

Rechargeable devices with USB interface can be charged via the USB port (5 V, 2000 mA).

This device is exclusively intended for vehicle use.

## 5 Technical description

The inverters can be operated wherever a DC connection is available:

- **12 V<sub>DC</sub>**: DSP 212, DSP 412
- **24 V<sub>DC</sub>**: DSP 224, DSP 424

The output voltage corresponds to the household voltage from the socket (pure sine wave, THD < 5%).

Please observe the values for constant output power and peak output power as indicated in chapter “Technical data” on page 21. Never connect devices that have a higher power requirement.



### NOTE

Note when connecting devices with an electrical drive (such as power drills and refrigerators), that they often require more power than is indicated on the type plate.

The inverter has various protective mechanisms.

- **Overvoltage shutdown:** The inverter shuts itself off when the voltage exceeds the cut-off value. It restarts when the voltage returns to the restart value.
- **Undervoltage shutdown:** The inverter shuts itself off when the voltage sinks below the cut-off value. It restarts when the voltage rises to the restart value.
- **Excess temperature shutdown:** The inverter switches off when the temperature inside the device or the temperature on the cooling element exceeds a cut-off value. It restarts when the voltage rises to the restart value.
- **Overloading and short circuit shutdown:** The LED on the inverter indicates an operating fault when an excess load is connected or a short circuit has occurred.



### NOTE

The individual values are found in the chapter “Technical data” on page 21.

## 5.1 Control elements

No. in fig. 2, page 3	Description
1	Main switch: Switches the device on and off
2	Status LED: See chapter "Status indications" on page 18

## 5.2 Connections



### NOTE

The version for continental Europe is depicted.

No. in fig. 2, page 3	Description
3	USB connection
4	AC outlet
5	DC plug
6	Fan (backside)
7	<b>DSP412, DSP424 only:</b> Connection for external switch

## 6 Fitting the inverter

### 6.1 Mounting instructions

When selecting the installation location, observe the following instructions:

- The inverter can be mounted horizontally or vertically.
- The inverter must be installed in a place that is protected from moisture.
- The inverter may not be installed in the presence of flammable materials.
- The inverter may not be installed in a dusty environment.
- The place of installation must be well ventilated. A ventilation system must be available for installations in small, enclosed spaces. The minimum clearance around the inverter must be at least 5 cm (fig. **3**, page 4).
- The air intake on the underside or the air outlet on the back of the inverter must remain clear.
- For ambient temperatures higher than 40 °C (such as in engine or heating compartments, or direct sunlight), the inverter's maximal output load is reduced. Thereby the inverter may shut down due to overload.
- The device must be installed on a level and sufficiently sturdy surface.



#### **NOTICE!**

Before drilling any holes, make sure that no electrical cables or other parts of the vehicle can be damaged by drilling, sawing and filing.

### 6.2 Mounting the inverter

- ▶ Mount the inverter as shown (fig. **4**, page 4).

## 7 Connecting the inverter



#### **WARNING!**

Never connect more than **one** consumer device to the inverter. The connection of more than one device must be executed by an electrically qualified person complying with the local requirements for protection against electric shock.



**NOTICE!**

- Incorrect polarity will blow an internal fuse which has to be replaced by the Dometic service. Additionally the electronics may be damaged.
- Make sure that the inverter is operated with the following voltage only:
  - DSP212, DSP412: 12 V $\overline{=}$
  - DSP224, DSP424: 24 V $\overline{=}$

- Connect the inverter as shown:
  - Connecting the battery:
    - DSP212, DSP224:** fig. **5**, page 5
    - DSP412, DSP424:** fig. **6**, page 5
  - Connecting load: fig. **7**, page 6

**Connect external switch to turn device on and off (DSP412, DSP424 only)****NOTE**

The inverter is switched on when the external or the main switch (fig. **2** 1, page 3) is switch on. If the inverter shall be controlled via external switch only, the main switch has to be switch to position "0".

- Connect the external switch as shown (fig. **8**, page 6).

## 8 Using the inverter

**CAUTION!**

When connecting the load observe the applicable regulations.

### 8.1 Switching on the inverter

- Switch the inverter on by pressing the switch (fig. **2** 1, page 3) on the device (position "I") ...
- ... or (**DSP412, DSP424 only**) switch on the inverter using the external switch (**optional**).
- ✓ The blue Status LED lights up (fig. **2** 2, page 3).
- ✓ The power consuming device is supplied with voltage.

## Charging the device via the USB port



### NOTE

Also observe the operating manual of the device you want to charge via the USB port.

- Connect the device to the USB port as shown (fig. **9**, page 7).

## 8.2 Status indications

The blue LED (fig. **2** 2, page 3) shows the operating condition of the inverter.

Display	Input voltage
Constantly lit	Normal mode
Long flash, short interruption	Inverter overheated/Overload
Quick flash	Overvoltage/Undervoltage
Off	Other fault

## 9 Cleaning and caring for the inverter



### NOTICE!

Do not use sharp or hard objects or cleaning agents for cleaning as these may damage the product.

- Occasionally clean the product with a damp cloth.

## 10 Troubleshooting



### WARNING!

Do not open the device. You risk sustaining an electric shock by doing this.



### NOTE

If you have detailed questions on the **specifications of the inverter** please contact the manufacturer (addresses on the back of the instruction manual).

The LED (fig. **2** 2, page 3) indicates the fault:

LED display	Cause	Remedy
Quick flash	Input voltage is too high	Check the input voltage and reduce it.
	Input voltage too low	The battery needs recharging. Check the cables and connections.
Long flash, short interruption	Overheating	Switch off the inverter and the consumer. Wait 5 to 10 minutes and switch the inverter on again without any electric consumers. Reduce the load and make sure the inverter has better ventilation. Then switch the consumer back on.
	Excessive load	Switch off the inverter and remove the consumer. Then switch the inverter back on without the consumer. If no excessive load is now shown, then there is a short circuit in the consumer or the total load was higher than the power specified on the data sheet. Check the cables and connections.
Off	Other fault	Contact the service.

## 11 Warranty

The statutory warranty period applies. If the product is defective, please contact the manufacturer's branch in your country (see the back of the instruction manual for the addresses) or your retailer.

For repair and guarantee processing, please include the following documents when you send in the device:

- A copy of the receipt with purchasing date
- A reason for the claim or description of the fault

## 12 Disposal


- Place the packaging material in the appropriate recycling waste bins wherever possible.



If you wish to finally dispose of the product, ask your local recycling centre or specialist dealer for details about how to do this in accordance with the applicable disposal regulations.

## 13 Technical data

The following technical data applies to all inverters:

Output voltage:	230 V $\sim$ $\pm$ 10 %, pure sine wave (THD < 5%)
Output frequency:	50 Hz $\pm$ 0,5 Hz
Maximum efficiency:	>90 %
Heat dissipation:	temperature and load controlled fan
Ambient temperature at operation:	0 °C to +50 °C
Ambient temperature for storage:	-30 °C to +70 °C
Air humidity:	0 – 95%, non-condensing
Testing/certification:	

	<b>DSP212</b>	<b>DSP412</b>	<b>DSP224</b>	<b>DSP424</b>
Ref. no.:	9600002603 9600003593	9600002541 9600003595	9600002540 9600003594	9600002542 9600003596
Rated input voltage:	12 V $\equiv$		24 V $\equiv$	
Input voltage range:	10 – 16.5 V $\equiv$		20 – 33 V $\equiv$	
Rated load:	150 W	350 W	150 W	350 W
Maximum power for 1 min:	170 W	400 W	170 W	400 W
Surge power for 1 s:	300 W	700 W	300 W	700 W
Idle current consumption:	<0,6 A	<0,4 A	<0,6 A	<0,4 A
Dimensions W x L x H:	fig. <b>10</b> , page 7			
Weight:	1.1 kg	1.2 kg	1.1 kg	1.2 kg

**Protective devices**

	<b>12 V</b>	<b>24 V</b>
Input:	Undervoltage	
AC output:	Overvoltage, short circuit, overload	
Temperature:	Shutdown	
Short circuit protection:	Yes, I <sub>pk</sub>	

**Overvoltage shutdown**

<b>Device</b>	<b>Overvoltage</b>	
	<b>Shutdown</b>	<b>Restart</b>
DSP212, DSP412	16.5 V	15.5 V
DSP224, DSP424	33 V	31 V

**Undervoltage shutdown**

<b>Device</b>	<b>Undervoltage</b>	
	<b>Shutdown</b>	<b>Restart</b>
DSP212, DSP412	10 V	12 V
DSP224, DSP424	20 V	24 V

For the current EU declaration of conformity for your device please refer to the respective product page on [dometic.com](http://dometic.com) or contact the manufacturer directly (see back page).

**Bitte lesen Sie diese Anleitung vor Einbau und Inbetriebnahme sorgfältig durch und bewahren Sie sie auf. Geben Sie sie im Falle einer Weitergabe des Produktes an den Nutzer weiter.**

## **Inhaltsverzeichnis**

1	Erklärung der Symbole .....	24
2	Allgemeine Sicherheitshinweise .....	24
3	Lieferumfang .....	29
4	Bestimmungsgemäßer Gebrauch .....	29
5	Technische Beschreibung .....	30
6	Wechselrichter montieren .....	31
7	Wechselrichter anschließen .....	32
8	Wechselrichter benutzen .....	33
9	Wechselrichter pflegen und reinigen .....	34
10	Fehlerbeseitigung .....	35
11	Gewährleistung .....	36
12	Entsorgung .....	36
13	Technische Daten .....	37

# 1 Erklärung der Symbole

**GEFAHR!**

**Sicherheitshinweis:** Nichtbeachtung führt zu Tod oder schwerer Verletzung.

**WARNUNG!**

**Sicherheitshinweis:** Nichtbeachtung kann zu Tod oder schwerer Verletzung führen.

**ACHTUNG!**

Nichtbeachtung kann zu Materialschäden führen und die Funktion des Produktes beeinträchtigen.

**HINWEIS**

Ergänzende Informationen zur Bedienung des Produktes.

## 2 Allgemeine Sicherheitshinweise

### 2.1 Allgemeine Sicherheit

Der Hersteller übernimmt in folgenden Fällen keine Haftung für Schäden:

- Montage- oder Anschlussfehler
- Beschädigungen am Produkt durch mechanische Einflüsse und Überspannungen
- Veränderungen am Produkt ohne ausdrückliche Genehmigung vom Hersteller
- Verwendung für andere als die in der Anleitung beschriebenen Zwecke

Beachten Sie folgende grundsätzliche Sicherheitsmaßnahmen beim Gebrauch von Elektrogeräten zum Schutz vor:

- elektrischem Schlag
- Brandgefahr
- Verletzungen



## 2.2 Grundlegende Sicherheit



### GEFAHR!

- Verwenden Sie im Falle eines Feuers einen Feuerlöscher, der für Elektrogeräte geeignet ist.



### WARNUNG!

- Benutzen Sie das Produkt nur zu seinem bestimmungsgemäßen Gebrauch.
- Achten Sie darauf, dass sich **nie** die rote und die schwarze Klemme berühren.
- Trennen Sie das Produkt vom Netz
  - vor jeder Reinigung und Pflege
  - vor einem Sicherungswechsel
- Falls Sie das Produkt demontieren:
  - Lösen Sie alle Verbindungen.
  - Stellen Sie sicher, dass alle Ein- und Ausgänge spannungsfrei sind.
- Wenn das Produkt oder das Anschlusskabel sichtbare Beschädigungen aufweisen, dürfen Sie das Produkt nicht in Betrieb nehmen.
- Wenn das Anschlusskabel dieses Produktes beschädigt wird, muss es durch den Hersteller, seinen Kundendienst oder eine ähnlich qualifizierte Person ersetzt werden, um Gefährdungen zu vermeiden.
- Reparaturen an diesem Produkt dürfen nur von Fachkräften durchgeführt werden. Durch unsachgemäße Reparaturen können erhebliche Gefahren entstehen.
- Dieses Produkt kann von Kindern ab 8 Jahren und darüber sowie von Personen mit verringerten physischen, sensorischen oder mentalen Fähigkeiten oder Mangel an Erfahrung und Wissen benutzt werden, wenn sie beaufsichtigt oder bezüglich des sicheren Gebrauchs des Produktes unterwiesen wurden und die daraus resultierenden Gefahren verstehen.
- **Elektrogeräte sind kein Kinderspielzeug!**  
Verwahren und benutzen Sie das Produkt außerhalb der Reichweite von Kindern.
- Kinder sollten beaufsichtigt werden, um sicherzustellen, dass sie nicht mit dem Produkt spielen.

**ACHTUNG!**

- Vergleichen Sie vor der Inbetriebnahme die Spannungsangabe auf dem Typenschild mit der vorhandenen Energieversorgung.
- Achten Sie darauf, dass andere Gegenstände **keinen** Kurzschluss an den Kontakten des Produktes verursachen.
- Ziehen Sie den Stecker nie am Anschlusskabel aus der Steckdose.
- Lagern Sie das Produkt an einem trockenen und kühlen Ort.

## 2.3 Sicherheit bei der Montage des Produktes

**GEFAHR!**

- Montieren Sie das Produkt nicht in Bereichen, in denen die Gefahr einer Gas- oder Staubexplosion besteht.

**VORSICHT!**

- Achten Sie auf einen sicheren Stand!  
Das Produkt muss so sicher aufgestellt und befestigt werden, dass es nicht umstürzen oder herabfallen kann.

**ACHTUNG!**

- Setzen Sie das Produkt keiner Wärmequelle (Sonneneinstrahlung, Heizung usw.) aus. Vermeiden Sie so zusätzliche Erwärmung des Produktes.
- Stellen Sie das Produkt an einem trockenen und gegen Spritzwasser geschützten Platz auf.

## 2.4 Sicherheit beim elektrischen Anschluss des Produktes



### GEFAHR! Lebensgefahr durch Stromschlag!

- Wenn Sie an elektrischen Anlagen arbeiten, stellen Sie sicher, dass jemand in der Nähe ist, um Ihnen im Notfall helfen zu können.



### WARNUNG!

- Schließen Sie immer **nur einen** Verbraucher an den Wechselrichter an. Beim Anschluss von zwei oder mehr Verbrauchern kann es zu einem Kurzschluss kommen.
- Achten Sie auf einen ausreichenden Leitungsquerschnitt.
- Verlegen Sie die Leitungen so, dass sie nicht durch Türen oder Motorhauben beschädigt werden. Eingequetschte Kabel können zu lebensgefährlichen Verletzungen führen.



### VORSICHT!

- Verlegen Sie die Leitungen so, dass keine Stolpergefahr entsteht und eine Beschädigung des Kabels ausgeschlossen ist.



### ACHTUNG!

- Benutzen Sie Leerrohre oder Leitungsdurchführungen, wenn Leitungen durch Blechwände oder andere scharfkantige Wände geführt werden müssen.
- Verlegen Sie die Wechselstromleitung und Gleichstromleitung **nicht** im gleichen Kabelkanal (Leerrohr).
- Verlegen Sie Leitungen **nicht** lose oder scharf abgeknickt.
- Befestigen Sie die Leitungen gut.
- Ziehen Sie nicht an Leitungen.

## 2.5 Sicherheit beim Betrieb des Produktes



### **GEFAHR! Lebensgefahr durch Stromschlag!**

- Fassen Sie nie mit bloßen Händen an blanke Leitungen. Dies gilt vor allem beim Betrieb am Wechselstromnetz.



### **WARNUNG!**

- Benutzen Sie das Produkt ausschließlich in geschlossenen, gut belüfteten Räumen.



### **VORSICHT!**

- Betreiben Sie das Produkt **nicht**
  - in salzhaltiger, feuchter oder nasser Umgebung
  - in der Nähe von aggressiven Dämpfen
  - in der Nähe brennbarer Materialien
  - in explosionsgefährdeten Bereichen
- Achten Sie vor der Inbetriebnahme darauf, dass Zuleitung und Stecker trocken sind.
- Unterbrechen Sie bei Arbeiten am Produkt immer die Stromversorgung.
- Beachten Sie, dass auch nach Auslösen der Schutzeinrichtung (Sicherung) Teile des Produktes unter Spannung bleiben können.
- Lösen Sie keine Kabel, wenn das Produkt noch in Betrieb ist.



### **ACHTUNG!**

- Achten Sie darauf, dass Luftein- und ausgänge des Produktes nicht verdeckt werden.
- Achten Sie auf gute Belüftung.

### 3 Lieferumfang

Pos. in Abb. <b>1</b> , Seite 3	Bezeichnung
1	Sinus-Wechselrichter
2	Halterung
3	Befestigungsschrauben
–	Bedienungsanleitung

### 4 Bestimmungsgemäßer Gebrauch



#### WARNUNG!

Der Wechselrichter darf nicht in Fahrzeugen eingesetzt werden, bei denen der Plus-Pol der Batterie mit dem Chassis verbunden ist.

Die Wechselrichter dienen dazu, Gleichspannung in eine 230-V-Wechselspannung von 50 Hz zu wandeln:

- **12 V**: DSP 212, DSP 412
- **24 V**: DSP 224, DSP 424

Am USB-Anschluss können akkubetriebene Geräte mit USB-Schnittstelle aufgeladen werden (5 V, 2000 mA).

Dieses Gerät ist ausschließlich zur Verwendung in Fahrzeugen geeignet.

## 5 Technische Beschreibung

Die Wechselrichter lassen sich überall dort betreiben, wo ein DC-Anschluss vorhanden ist.

- **12 V<sub>DC</sub>**: DSP 212, DSP 412
- **24 V<sub>DC</sub>**: DSP 224, DSP 424

Die Ausgangsspannung entspricht der Haushaltsspannung aus der Steckdose (reine Sinusspannung, Klirrfaktor < 5%).

Bitte beachten Sie die Werte für Dauer-Ausgangsleistung und Spitzen-Ausgangsleistung, wie sie im Kapitel „Technische Daten“ auf Seite 37 angegeben sind. Geräte, die einen höheren Leistungsbedarf haben, dürfen nicht angeschlossen werden.



### HINWEIS

Beachten Sie beim Anschluss von Geräten mit elektrischem Antrieb (z. B. Bohrmaschine, Kühlschrank usw.), dass diese zum Anlaufen oft eine höhere Leistung benötigen, als auf dem Typenschild angegeben.

Der Wechselrichter besitzt verschiedene Schutzmechanismen:

- **Überspannungs-Schutz:** Der Wechselrichter schaltet ab, wenn der Spannungswert über den Abschalt-Wert steigt. Er startet wieder, wenn die Spannung auf den Neustart-Wert sinkt.
- **Unterspannungs-Schutz:** Der Wechselrichter schaltet ab, wenn der Spannungswert unter den Abschalt-Wert sinkt. Er startet wieder, wenn die Spannung auf den Neustart-Wert steigt.
- **Übertemperatur-Schutz:** Der Wechselrichter schaltet ab, wenn die Temperatur innerhalb des Gerätes oder die Temperatur an dem Kühlkörper einen Abschalt-Wert übersteigt. Er startet wieder, wenn die Spannung auf den Neustart-Wert steigt.
- **Überlast-Schutz und Schutz vor Kurzschluss:** Die LED am Wechselrichter meldet eine Betriebsstörung, wenn eine zu große Last angeschlossen ist oder ein Kurzschluss erzeugt wurde.



### HINWEIS

Die einzelnen Schaltwerte finden Sie im Kapitel „Technische Daten“ auf Seite 37.

## 5.1 Bedienelemente

Pos. in Abb. <b>2</b> , Seite 3	Beschreibung
1	Hauptschalter: Schaltet das Gerät ein und aus
2	Status-LED: Siehe Kapitel „Betriebsanzeigen“ auf Seite 34

## 5.2 Anschlüsse



### HINWEIS

Abgebildet ist die Version für Kontinentaleuropa.

Pos. in Abb. <b>2</b> , Seite 3	Beschreibung
3	USB-Anschluss
4	Wechselstromsteckdose
5	Gleichstromstecker
6	Lüfter (Rückseite)
7	<b>Nur DSP412, DSP424:</b> Anschluss für externen Schalter

# 6 Wechselrichter montieren

## 6.1 Montagehinweise

Beachten Sie bei der Wahl des Montageortes folgende Hinweise:

- Die Montage des Wechselrichters kann horizontal wie auch vertikal erfolgen.
- Der Wechselrichter muss an einer vor Feuchtigkeit geschützten Stelle eingebaut werden.
- Der Wechselrichter darf nicht in Umgebungen mit entflammaren Materialien eingebaut werden.
- Der Wechselrichter darf nicht in staubigen Umgebungen eingebaut werden.

- Der Einbauort muss gut belüftet sein. Bei Installationen in geschlossenen kleinen Räumen sollte eine Be- und Entlüftung vorhanden sein. Der freie Mindestabstand um den Wechselrichter muss mindestens 5 cm betragen (Abb. **3**, Seite 4).
- Der Lufteintritt auf der Unterseite bzw. der Luftaustritt auf der Rückseite des Wechselrichters muss frei bleiben.
- Bei Umgebungstemperaturen, die höher als 40 °C (z. B. in Motor- oder Heizungsräumen, direkte Sonneneinstrahlung) sind, verringert sich die maximale Ausgangsleistung des Wechselrichters. Dadurch kann es zur Abschaltung der Wechselrichters wegen Überlast kommen.
- Die Montagefläche muss eben sein und eine ausreichende Festigkeit aufweisen.

**ACHTUNG!**

Bevor Sie irgendwelche Bohrungen vornehmen, stellen Sie sicher, dass keine elektrischen Kabel oder andere Teile des Fahrzeugs durch Bohren, Sägen und Feilen beschädigt werden.

## 6.2 Wechselrichter montieren

- Montieren Sie den Wechselrichter wie dargestellt (Abb. **4**, Seite 4).

# 7 Wechselrichter anschließen

**WARNUNG!**

Schließen Sie immer **nur einen** Verbraucher an den Wechselrichter an. Der Anschluss von zwei oder mehr Verbrauchern darf nur von einer Elektrofachkraft erfolgen unter Berücksichtigung der lokalen Bestimmungen zum Schutz vor elektrischen Schlag.

**ACHTUNG!**

- Bei Verpolung brennt eine interne Sicherung durch, die vom Dometic Kundenservice ausgetauscht werden muss. Außerdem kann es zur Beschädigung der Elektronik kommen.
- Beachten Sie, dass der Wechselrichter nur mit folgender Spannung betrieben werden darf:
  - DSP212, DSP412: 12 V $\equiv$
  - DSP224, DSP424: 24 V $\equiv$



- Schließen Sie den Wechselrichter an wie dargestellt:
  - Batterie anschließen: **DSP 212, DSP 224:** Abb. **5**, Seite 5  
**DSP 412, DSP 424:** Abb. **6**, Seite 5
  - Verbraucher anschließen: Abb. **7**, Seite 6

### Externen Schalter zum Ein- und Ausschalten anschließen (nur DSP 412, DSP 424)



#### HINWEIS

Der Wechselrichter ist eingeschaltet, sobald der externe oder der Hauptschalter (Abb. **2** 1, Seite 3) eingeschaltet sind. Wenn die Steuerung nur über den externen Schalter erfolgen soll, muss der Hauptschalter in Stellung „0“ geschaltet werden.

- Schließen Sie den externen Schalter an wie dargestellt (Abb. **8**, Seite 6).

## 8 Wechselrichter benutzen



#### VORSICHT!

Beachten Sie beim Anschluss von Verbrauchern die geltenden Bestimmungen.

### 8.1 Wechselrichter einschalten

- Schalten Sie den Wechselrichter mit dem Hauptschalter (Abb. **2** 1, Seite 3) ein (Stellung „I“) ...
- ... oder (**nur DSP 412, DSP 424**) schalten Sie den Wechselrichter mit dem externen Schalter ein (**optional**).
- ✓ Die blaue Status-LED (Abb. **2** 2, Seite 3) leuchtet.
- ✓ Der Verbraucher wird mit Wechselspannung versorgt.

### Gerät mit USB-Schnittstelle aufladen



#### HINWEIS

Beachten Sie auch die Bedienungsanleitung Ihres Geräts, das Sie am USB-Anschluss laden möchten.

- Verbinden Sie das Gerät mit dem USB-Anschluss wie dargestellt (Abb. **9**, Seite 7).

## 8.2 Betriebsanzeigen

Die blaue LED (Abb. **2** 2, Seite 3) zeigt den Betriebszustand des Wechselrichters an.

Anzeige	Eingangsspannung
Dauerleuchten	Normalbetrieb
Langes Blinken, kurze Unterbrechung	Wechselrichter überhitzt/Überlastung
Schnelles Blinken	Überspannung/Unterspannung
Aus	Anderer Fehler

## 9 Wechselrichter pflegen und reinigen



### ACHTUNG!

Keine scharfen oder harten Gegenstände oder Reinigungsmittel zur Reinigung verwenden, da dies zu einer Beschädigung des Produktes führen kann.

- Reinigen Sie das Produkt gelegentlich mit einem feuchten Tuch.

## 10 Fehlerbeseitigung



### WARNING!

Öffnen Sie das Gerät nicht. Sie setzen sich der Gefahr eines elektrischen Schlages aus!



### HINWEIS

Bei detaillierten Fragen zu den **Daten des Wechselrichters** wenden Sie sich bitte an den Hersteller (Adressen siehe Rückseite der Anleitung).

Die LED (Abb. **2** 2, Seite 3) zeigt den Fehler an:

LED-Anzeige	Ursache	Behebung
Schnelles Blinken	Zu hohe Eingangsspannung	Prüfen Sie die Eingangsspannung und reduzieren Sie diese.
	Zu niedrige Eingangsspannung	Die Batterie muss nachgeladen werden. Prüfen Sie die Leitungen und Verbindungen.
Langes Leuchten, kurze Unterbrechung	Thermische Überlastung	Schalten Sie den Wechselrichter und den Verbraucher aus. Warten Sie ca. 5 – 10 Minuten und schalten Sie den Wechselrichter ohne Verbraucher wieder ein. Reduzieren Sie die Belastung und sorgen Sie für eine bessere Belüftung des Wechselrichters. Schalten Sie dann den Verbraucher wieder ein.
	Zu hohe Belastung	Schalten Sie den Wechselrichter aus und entfernen Sie den Verbraucher. Schalten Sie den Wechselrichter ohne Verbraucher wieder ein. Wird jetzt keine zu hohe Belastung mehr angezeigt, so liegt ein Kurzschluss beim Verbraucher vor oder die Gesamtbelastung war höher als die im Datenblatt spezifizierte Leistung. Prüfen Sie die Leitungen und Verbindungen.
Aus	Anderer Fehler	Wenden Sie sich an den Kundendienst.

## 11 Gewährleistung

Es gilt die gesetzliche Gewährleistungsfrist. Sollte das Produkt defekt sein, wenden Sie sich bitte an die Niederlassung des Herstellers in Ihrem Land (Adressen siehe Rückseite der Anleitung) oder an Ihren Fachhändler.

Zur Reparatur- bzw. Gewährleistungsbearbeitung müssen Sie folgende Unterlagen mitschicken:

- eine Kopie der Rechnung mit Kaufdatum,
- einen Reklamationsgrund oder eine Fehlerbeschreibung.

## 12 Entsorgung


- Geben Sie das Verpackungsmaterial möglichst in den entsprechenden Recycling-Müll.



Wenn Sie das Produkt endgültig außer Betrieb nehmen, informieren Sie sich bitte beim nächsten Recyclingcenter oder bei Ihrem Fachhändler über die zutreffenden Entsorgungsvorschriften.

## 13 Technische Daten

Folgende technische Daten gelten für alle Wechselrichter:

Ausgangsspannung:	230 V $\sim$ $\pm$ 10 %, reine Sinuswelle (Klirrfaktor < 5%)
Ausgangsfrequenz:	50 Hz $\pm$ 0,5 Hz
Maximaler Wirkungsgrad:	>90 %
Wärmeabfuhr:	temperatur- und lastgesteuerter Lüfter
Umgebungstemperatur Betrieb:	0 °C bis +50 °C
Umgebungstemperatur Lagerung:	-30 °C bis +70 °C
Luftfeuchtigkeit:	0 – 95 %, nicht kondensierend
Prüfung/Zertifikat:	

	<b>DSP212</b>	<b>DSP412</b>	<b>DSP224</b>	<b>DSP424</b>
Art.-Nr.:	9600002603 9600003593	9600002541 9600003595	9600002540 9600003594	9600002542 9600003596
Eingangsnennspannung:	12 V $\equiv$		24 V $\equiv$	
Eingangsspannungsbereich:	10 – 16,5 V $\equiv$		20 – 33 V $\equiv$	
Nennleistung:	150 W	350 W	150 W	350 W
Maximale Leistung für 1 min:	170 W	400 W	170 W	400 W
Stoßleistung für 1 s:	300 W	700 W	300 W	700 W
Leerlaufstromaufnahme:	<0,6 A	<0,6 A	<0,4 A	<0,4 A
Abmessungen B x L x H:	Abb. <b>10</b> , Seite 7			
Gewicht:	1,1 kg	1,2 kg	1,1 kg	1,2 kg

**Schutzvorrichtungen**

	<b>12 V</b>	<b>24 V</b>
Eingang:	Unterspannung	
AC Ausgang:	Überspannung, Kurzschluss, Überlast	
Temperatur:	Abschaltung	
Kurzschlusschutz:	ja, lpk	

**Überspannungs-Schutz**

<b>Gerät</b>	<b>Überspannung</b>	
	<b>Abschaltung</b>	<b>Neustart</b>
DSP212, DSP412	16,5 V	15,5 V
DSP224, DSP424	33 V	31 V

**Unterspannungs-Schutz**

<b>Gerät</b>	<b>Unterspannung</b>	
	<b>Abschaltung</b>	<b>Neustart</b>
DSP212, DSP412	10 V	12 V
DSP224, DSP424	20 V	24 V

Die aktuelle EU-Konformitätserklärung für Ihr Gerät erhalten Sie auf der jeweiligen Produktseite auf [dometic.com](http://dometic.com) oder direkt über den Hersteller (siehe Rückseite).

**Veillez lire attentivement cette notice avant le montage et la mise en service. Veillez ensuite la conserver. En cas de passer le produit, veuillez le transmettre au nouvel acquéreur.**

## Sommaire

1	Explication des symboles . . . . .	40
2	Consignes générales de sécurité . . . . .	40
3	Contenu de la livraison . . . . .	44
4	Usage conforme . . . . .	44
5	Description technique . . . . .	45
6	Montage de l'onduleur . . . . .	46
7	Raccordement de l'onduleur . . . . .	47
8	Utilisation de l'onduleur . . . . .	48
9	Entretien et nettoyage de l'onduleur . . . . .	49
10	Élimination des erreurs . . . . .	50
11	Garantie . . . . .	51
12	Retraitement . . . . .	51
13	Caractéristiques techniques . . . . .	52

# 1 Explication des symboles

**DANGER !**

**Consigne de sécurité :** le non-respect de ces consignes entraîne la mort ou de graves blessures.

**AVERTISSEMENT !**

**Consigne de sécurité :** le non-respect de ces consignes peut entraîner la mort ou de graves blessures.

**AVIS !**

Le non-respect de ces consignes peut entraîner des dommages matériels et des dysfonctionnements du produit.

**REMARQUE**

Informations complémentaires sur l'utilisation du produit.

## 2 Consignes générales de sécurité

### 2.1 Sécurité générale

Le fabricant décline toute responsabilité pour des dommages dans les cas suivants :

- des défauts de montage ou de raccordement
- des influences mécaniques et des surtensions ayant endommagé le matériel
- des modifications apportées au produit sans autorisation explicite de la part du fabricant
- une utilisation différente de celle décrite dans la notice

Lors de l'utilisation d'appareils électriques, les consignes générales de sécurité suivantes doivent être respectées afin d'éviter

- une décharge électrique,
- un incendie,
- des blessures.



## 2.2 Consignes générales de sécurité



### DANGER !

- En cas d'incendie, utilisez un extincteur adapté aux appareils électriques.



### AVERTISSEMENT !

- Utilisez l'appareil conformément à l'usage pour lequel il a été conçu.
- Veillez à ce que la pince rouge et la pince noire ne se touchent **jamais**.
- Débranchez l'appareil du secteur
  - avant tout nettoyage et entretien
  - avant le changement d'un fusible
- Si vous démontez l'appareil :
  - débranchez tous les raccords,
  - assurez-vous qu'aucune entrée ou sortie n'est sous tension.
- Si l'appareil ou le câble de raccordement présentent des dommages visibles, il est interdit de mettre l'appareil en service.
- Si le câble de raccordement de l'appareil est endommagé, il doit être remplacé par le fabricant, son service après-vente ou une personne de qualification similaire, afin d'éviter tout danger.
- Seul un personnel qualifié est habilité à effectuer des réparations sur l'appareil. Toute réparation mal effectuée risquerait d'entraîner de graves dangers.
- Les enfants âgés de 8 ans et plus ainsi que les personnes ayant des déficiences physiques, sensorielles ou mentales ou un manque d'expérience ou de connaissances peuvent utiliser ce produit à condition d'être sous surveillance ou d'avoir reçu des instructions concernant l'utilisation de l'appareil en toute sécurité et de comprendre les dangers qui en résultent.
- **Les appareils électriques ne sont pas des jouets pour enfants !** Placez et utilisez l'appareil hors de leur portée.
- Les enfants doivent être surveillés pour s'assurer qu'ils ne jouent pas avec l'appareil.



### AVIS !

- Avant la mise en service, vérifiez que la tension indiquée sur la plaque signalétique correspond à l'alimentation électrique dont vous disposez.
- Veillez à ce que d'autres objets ne provoquent **aucun** court-circuit au niveau des contacts de l'appareil.

- Ne tirez jamais sur le câble de raccordement pour sortir la fiche de la prise.
- Stockez l'appareil dans un endroit frais et sec.

## 2.3 Sécurité lors du montage de l'appareil



### **DANGER !**

- Ne montez jamais l'appareil dans des zones où existent des risques d'explosion de gaz ou de poussières explosives.



### **ATTENTION !**

- Veillez à un positionnement stable de l'appareil !  
Veillez à installer et fixer l'appareil de manière à ce qu'il ne puisse ni se renverser ni tomber.



### **AVIS !**

- N'exposez pas l'appareil à des sources de chaleur (rayonnement solaire, chauffage, etc.). Vous éviterez ainsi une surchauffe supplémentaire de l'appareil.
- Installez l'appareil dans un endroit sec et à l'abri des éclaboussures d'eau.

## 2.4 Consignes de sécurité concernant le raccordement électrique de l'appareil



### **DANGER ! Danger de mort par électrocution !**

- Lorsque vous effectuez des travaux sur des installations électriques, assurez-vous qu'une personne pouvant vous apporter assistance en cas d'urgence se trouve à proximité.



### **AVERTISSEMENT !**

- Raccordez toujours un seul consommateur d'énergie à l'onduleur. Le raccordement de deux ou plusieurs consommateurs d'énergie pourrait provoquer un court-circuit.
- Veillez à obtenir une section de câble suffisante.
- Posez les câbles de manière à ce qu'ils ne puissent pas être endommagés par les portières ou par le capot du moteur.  
Des câbles compressés peuvent entraîner des blessures mortelles.

**ATTENTION !**

- Posez les câbles de manière à exclure tout risque de trébuchement ou d'endommagement du câble.

**AVIS !**

- Si des lignes électriques doivent traverser des cloisons en tôle ou autres murs à arêtes vives, utilisez des tubes vides ou des conduits pour câbles.
- Ne placez **pas** les câbles 230 V et la ligne de courant continu 12 V dans le même conduit (tube vide).
- Ne posez **pas** les lignes sans les fixer ou en les pliant.
- Fixez bien les lignes.
- Ne tirez pas sur les lignes électriques.

## 2.5 Consignes de sécurité concernant le fonctionnement de l'appareil

**DANGER ! Danger de mort par électrocution !**

- Ne touchez jamais les lignes électriques dénudées avec les mains nues. Cela est surtout valable en cas de fonctionnement sur secteur.

**AVERTISSEMENT !**

- Utilisez l'appareil uniquement dans des pièces fermées et bien aérées.

**ATTENTION !**

- N'utilisez **pas** l'appareil
  - en milieu humide, à forte teneur en sel,
  - à proximité de vapeurs agressives,
  - à proximité de matériaux inflammables,
  - ou dans un environnement explosif.
- Avant de mettre l'appareil en service, assurez-vous que la ligne d'alimentation électrique et le connecteur sont secs.
- Coupez l'alimentation électrique au cours de travaux sur l'appareil.
- Attention : même après déclenchement du dispositif de sécurité (fusible), il est possible que certaines pièces de l'appareil restent sous tension.
- Ne débranchez pas de câbles pendant le fonctionnement de l'appareil.

**AVIS !**

- Assurez-vous que les entrées et sorties d'air de l'appareil ne sont pas couvertes.
- Veillez à ce que l'aération soit suffisante.

### 3 Contenu de la livraison

Pos. dans fig. 1, page 3	Désignation
1	Onduleur sinusoïdal
2	Support
3	Vis de fixation
–	Manuel d'utilisation

### 4 Usage conforme

**AVERTISSEMENT !**

L'onduleur ne doit pas être utilisé pour les véhicules dont le pôle positif de la batterie est relié au châssis.

Les onduleurs servent à convertir la tension continue en une tension alternative de 230 V de 50 Hz.

- **12 V $\text{---}$**  : DSP212, DSP412
- **24 V $\text{---}$**  : DSP224, DSP424

Les appareils fonctionnant sur accumulateur et équipés d'une interface USB peuvent être rechargés sur le port USB (5 V, 2000 mA).

Cet appareil convient uniquement pour l'utilisation dans les véhicules.

## 5 Description technique

Les onduleurs peuvent être utilisés partout où une prise CC est disponible.

- **12 V<sub>CC</sub>** : DSP 212, DSP 412
- **24 V<sub>CC</sub>** : DSP 224, DSP 424

La tension de sortie correspond à la tension domestique de la prise (tension sinusoïdale uniquement, taux de distorsion < 5%).

Veuillez tenir compte des valeurs de puissance continue de sortie et de puissance de crête de sortie qui sont indiquées au chapitre « Caractéristiques techniques », page 52. Les appareils nécessitant plus de puissance ne doivent pas être raccordés.



### REMARQUE

En cas de raccordement d'appareils avec un entraînement électrique (p. ex. perceuse, réfrigérateur, etc.), tenez compte du fait que, pendant le démarrage, ces appareils nécessitent souvent une puissance supérieure à celle indiquée sur la plaque signalétique.

L'onduleur possède différents mécanismes de protection :

- **Protection de surtension** : l'onduleur s'éteint lorsque la valeur de tension dépasse le seuil d'arrêt. Il redémarre lorsque la tension retombe à la valeur de redémarrage.
- **Protection de sous-tension** : l'onduleur s'éteint lorsque la valeur de tension descend en dessous du seuil d'arrêt. Il redémarre lorsque la tension remonte à la valeur de redémarrage.
- **Protection de surtempérature** : l'onduleur s'éteint lorsque la température au sein de l'appareil ou la température au niveau du radiateur dépasse une valeur d'arrêt. Il redémarre lorsque la tension remonte à la valeur de redémarrage.
- **Protection contre la surcharge et le court-circuit** : le voyant LED de l'onduleur annonce un dysfonctionnement, quand une trop grande charge est raccordée ou qu'un court-circuit est créé.



### REMARQUE

Vous trouverez les valeurs seuil au chapitre « Caractéristiques techniques », page 52.

## 5.1 Éléments de commande

Pos. dans fig. 2, page 3	Description
1	Interrupteur principal : Allume ou éteint l'appareil
2	Voyant d'état : voir chapitre « Témoins lumineux de fonctionnement », page 49

## 5.2 Raccordements



### REMARQUE

La version présentée est celle pour l'Europe continentale.

Pos. dans fig. 2, page 3	Description
3	Port USB
4	Prise de courant alternatif
5	Connecteur de courant continu
6	Ventilateur (dos)
7	<b>Uniquement DSP412, DSP424</b> : Raccordement pour commutateur externe

# 6 Montage de l'onduleur

## 6.1 Instructions de montage

Lisez attentivement les remarques suivantes lors du choix du lieu d'installation :

- Le montage de l'onduleur peut être horizontal ou vertical.
- L'onduleur doit être monté à un endroit protégé de l'humidité.
- L'onduleur ne doit pas être monté dans des environnements contenant des matériaux inflammables.
- L'onduleur ne doit pas être monté dans des environnements poussiéreux.

- Le lieu de montage doit être bien aéré. En cas d'installations dans de petits locaux fermés, ceux-ci doivent disposer d'un système d'aération et de ventilation. La distance libre minimale autour de l'onduleur doit être d'au moins 5 cm (fig. 3, page 4).
- L'arrivée d'air sur la partie inférieure et la sortie d'air à l'arrière de l'onduleur doivent rester libres.
- En cas de températures ambiantes supérieures à 40 °C (p. ex. dans les compartiments moteur ou chauffage, en cas de rayonnement direct du soleil), la puissance de sortie maximale de l'onduleur est réduite. L'onduleur peut alors s'éteindre en raison de la surcharge.
- La surface de montage doit être plane et présenter une stabilité suffisante.



### AVIS !

Avant de commencer à effectuer des perçages, assurez-vous qu'aucun câble électrique ou autre élément du véhicule ne risque d'être endommagé par le perçage, le sciage ou le limage.

## 6.2 Montage de l'onduleur

- Montez l'onduleur comme indiqué (fig. 4, page 4).

# 7 Raccordement de l'onduleur



### AVERTISSEMENT !

Raccordez toujours **un seul** consommateur d'énergie à l'onduleur. Le raccordement de deux ou plusieurs consommateurs d'énergie ne peut être effectué que par un électricien qualifié, en tenant compte des prescriptions locales de protection contre les chocs électriques.



### AVIS !

- Si la polarité est inversée, un fusible interne brûle et doit être remplacé par le service après-vente Dometic. L'électronique peut également être endommagée.
- Veuillez noter que l'onduleur ne doit être utilisé qu'avec la tension suivante :
  - DSP 212, DSP 412 : 12 V $\overline{=}$
  - DSP 224, DSP 424 : 24 V $\overline{=}$

- Connectez l'onduleur conformément à l'illustration :
  - Raccordement de la batterie :  
**DSP 212, DSP 224:** fig. **5**, page 5  
**DSP 412, DSP 424:** fig. **6**, page 5
  - Raccordement de consommateurs : fig. **7**, page 6

### Connecter un interrupteur externe pour la mise en marche et l'arrêt (uniquement DSP 412, DSP 424)



#### REMARQUE

L'onduleur est mis sous tension dès que l'interrupteur externe ou principal (fig. **2** 1, page 3) est mis sous tension. Si la commande ne doit être effectuée que par l'interrupteur externe, l'interrupteur principal doit être en position « 0 ».

- Raccordez le commutateur externe comme indiqué (fig. **8**, page 6).

## 8 Utilisation de l'onduleur



#### ATTENTION !

Respectez les prescriptions en vigueur lors du raccordement des consommateurs d'énergie.

### 8.1 Mise en service de l'onduleur

- Mettez l'onduleur en marche avec le commutateur principal (fig. **2** 1, page 3) (position « I »).
- ... ou (**uniquement DSP 412, DSP 424**) allumez l'onduleur avec le commutateur externe (**en option**).
- ✓ Le voyant LED d'état bleu (fig. **2** 2, page 3) s'allume.
- ✓ Le consommateur d'énergie est alimenté en tension alternative.

### Charge de l'appareil avec l'interface USB



#### REMARQUE

Reportez-vous également au manuel d'utilisation de l'appareil que vous désirez recharger sur le port USB.

- Raccordez l'appareil au port USB comme indiqué (fig. **9**, page 7).



## 8.2 Témoins lumineux de fonctionnement

Le voyant LED bleu (fig. **2** 2, page 3) indique l'état de fonctionnement de l'onduleur.

Affichage	Tension d'entrée
Éclairage permanent	Fonctionnement normal
Long clignotement, courte interruption	Surchauffe de l'onduleur/surcharge
Clignotement rapide	Surtension/sous-tension
Arrêt	Autre erreur

## 9 Entretien et nettoyage de l'onduleur



### AVIS !

N'utilisez aucun objet coupant ou dur, ni de détergents pour le nettoyage. Cela pourrait endommager le produit.

- Nettoyez le produit avec un tissu humide.

## 10 Élimination des erreurs



### AVERTISSEMENT !

N'ouvrez pas l'appareil. Vous vous exposez sinon à des risques d'électrocution !



### REMARQUE

En cas de questions sur les **caractéristiques de l'onduleur**, veuillez vous adresser au fabricant (adresses au dos de la notice).

Le voyant LED (fig. **2** 2, page 3) indique l'erreur :

Affichage LED	Cause	Solution
Clignotement rapide	Tension d'entrée trop élevée	Vérifiez la tension d'entrée et réduisez-la.
	Tension d'entrée trop basse	La batterie doit être rechargée. Vérifiez les lignes et les connexions.
Long clignotement, courte interruption	Surcharge thermique	Éteignez l'onduleur et le consommateur. Attendez env. 5 – 10 minutes et allumez de nouveau l'onduleur sans consommateur d'énergie. Réduisez la charge et assurez-vous que l'onduleur est mieux aéré. Remettez alors le consommateur en marche.
	Surcharge	Éteignez l'onduleur et retirez le consommateur. Remettez alors l'onduleur en marche, sans le consommateur. Si aucune surcharge n'est plus affichée, il existe un court-circuit au niveau du consommateur ou la charge totale était supérieure à la puissance spécifiée dans la fiche technique. Vérifiez les lignes et les connexions.
Arrêt	Autre erreur	Adressez-vous au service après-vente.

## 11 Garantie

Le délai légal de garantie s'applique. Si le produit s'avérait défectueux, veuillez vous adresser à la filiale du fabricant située dans votre pays (voir adresses au verso du présent manuel) ou à votre revendeur spécialisé.

Veillez y joindre les documents suivants pour la gestion des réparations et de la garantie :

- une copie de la facture avec la date d'achat,
- le motif de la réclamation ou une description du dysfonctionnement.

## 12 Retraitement


- ▶ Jetez les emballages dans les conteneurs de déchets recyclables prévus à cet effet.



Lorsque vous mettez votre produit définitivement hors service, informez-vous auprès du centre de recyclage le plus proche ou auprès de votre revendeur spécialisé sur les prescriptions relatives au retraitement des déchets.

## 13 Caractéristiques techniques

Les caractéristiques techniques suivantes sont valables pour tous les onduleurs :

Tension de sortie :	230 V $\sim$ $\pm$ 10 %, onde sinusoïdale (taux de distorsion < 5%)
Fréquence de sortie :	50 Hz $\pm$ 0,5 Hz
Rendement maximal :	>90 %
Évacuation de la chaleur :	Ventilateur à température et à charge contrôlées
Température ambiante de service :	de 0 °C à +50 °C
Température ambiante de stockage :	de -30 °C à +70 °C
Humidité de l'air :	0 – 95 %, sans condensation
Contrôle/certificat :	

	<b>DSP212</b>	<b>DSP412</b>	<b>DSP224</b>	<b>DSP424</b>
Réf. :	9600002603 9600003593	9600002541 9600003595	9600002540 9600003594	9600002542 9600003596
Tension nominale d'entrée :	12 V $\equiv$		24 V $\equiv$	
Plage de tension d'entrée :	10 – 16,5 V $\equiv$		20 – 33 V $\equiv$	
Puissance nominale :	150 W	350 W	150 W	350 W
Puissance maximale pour 1 min :	170 W	400 W	170 W	400 W
Puissance de crête pour 1 s :	300 W	700 W	300 W	700 W
Intensité absorbée à vide :	<0,6 A	<0,6 A	<0,4 A	<0,4 A
Dimensions L x P x H :	fig. <b>10</b> , page 7			
Poids :	1,1 kg	1,2 kg	1,1 kg	1,2 kg

**Dispositifs de protection**

	12 V	24 V
Entrée :	sous-tension	
Sortie CA :	surtension, court-circuit, surcharge	
Température :	arrêt	
Protection contre les courts-circuits :	oui, lpk	

**Protection de surtension**

Appareil	Surtension	
	Arrêt	Redémarrage
DSP212, DSP412	16,5 V	15,5 V
DSP224, DSP424	33 V	31 V

**Protection de sous-tension**

Appareil	Sous-tension	
	Arrêt	Redémarrage
DSP212, DSP412	10 V	12 V
DSP224, DSP424	20 V	24 V

Vous trouverez la déclaration de conformité UE actuelle pour votre appareil sur la page de produit concernée sur [dometic.com](http://dometic.com) ou directement auprès du fabricant (voir verso).

**Lea detenidamente estas instrucciones antes de llevar a cabo la instalación y puesta en funcionamiento, y consérvelas en un lugar seguro. En caso de vender o entregar el producto a otra persona, entregue también estas instrucciones.**

## Índice

1	Explicación de los símbolos . . . . .	55
2	Indicaciones generales de seguridad . . . . .	55
3	Volumen de entrega . . . . .	59
4	Uso adecuado . . . . .	59
5	Descripción técnica . . . . .	60
6	Montaje del inversor . . . . .	61
7	Conexión del inversor. . . . .	62
8	Uso del inversor . . . . .	63
9	Mantenimiento y limpieza del inversor . . . . .	64
10	Solución de fallos . . . . .	65
11	Garantía legal . . . . .	66
12	Gestión de residuos . . . . .	66
13	Datos técnicos. . . . .	67

# 1 Explicación de los símbolos

**¡PELIGRO!**

**Indicación de seguridad:** su incumplimiento acarrea la muerte o graves lesiones.

**¡ADVERTENCIA!**

**Indicación de seguridad:** su incumplimiento puede acarrear la muerte o graves lesiones.

**¡AVISO!**

Su incumplimiento puede acarrear daños materiales y perjudicar el correcto funcionamiento del producto.

**NOTA**

Información adicional para el manejo del producto.

## 2 Indicaciones generales de seguridad

### 2.1 Seguridad general

El fabricante declina toda responsabilidad ante daños ocurridos en los siguientes casos:

- errores de montaje o de conexión
- daños en el producto debido a influencias mecánicas y sobretensiones
- modificaciones realizadas en el producto sin el expreso consentimiento del fabricante
- utilización del aparato para fines distintos a los descritos en las instrucciones

Al utilizar los aparatos eléctricos, respete las siguientes normas básicas de seguridad para protegerse de:

- descargas eléctricas
- peligro de incendio
- lesiones

## 2.2 Seguridad básica



### ¡PELIGRO!

- En caso de incendio, utilice un extintor adecuado para aparatos eléctricos.



### ¡ADVERTENCIA!

- Utilice el aparato sólo para aquellos fines para los que ha sido concebido.
- Preste atención a que los bornes rojo y negro **nunca** entren en contacto.
- Desconecte el aparato de la red
  - antes de realizar cualquier tarea de limpieza o mantenimiento
  - antes de cambiar un fusible
- En caso de que desmonte el aparato:
  - Suelte todas la conexiones.
  - Asegúrese de que todas las entradas y salidas estén sin tensión.
- Si el aparato o el cable de conexión presentan daños visibles, no debe poner en marcha el aparato.
- Si se daña el cable de conexión del aparato, el fabricante, su servicio de atención al cliente o una persona cualificada debe reemplazarlo para evitar así posibles peligros.
- Sólo personal especializado puede realizar reparaciones en el aparato. Las reparaciones que se realicen incorrectamente pueden dar lugar a situaciones de considerable peligro.
- Los niños mayores de 8 años y las personas de capacidad física, sensorial o mental disminuida, así como aquellas personas con falta de experiencia y/o conocimientos suficientes solo podrán utilizar este aparato si están vigilados o han sido instruidos respecto al uso seguro del aparato y a los posibles peligros que pueden emanar de él.
- **Los aparatos eléctricos no son juguetes.** Mantenga y utilice el aparato fuera del alcance de los niños.
- Controle a los niños para asegurarse de que no jueguen con el aparato.



### ¡AVISO!

- Antes de la puesta en funcionamiento, compare el valor de tensión indicado en la placa de características con el suministro de energía existente.



- Asegúrese de que otros aparatos **no** causen un cortocircuito en los contactos del aparato.
- No desenchufe nunca el cable de conexión tirando de él.
- Almacene el aparato en un lugar seco y fresco.

## 2.3 Seguridad en el montaje del aparato



### ¡PELIGRO!

- No monte el aparato en áreas donde haya peligro de explosiones a causa de gases o polvos explosivos.



### ¡ATENCIÓN!

- ¡Procure mantenerlo en una posición segura!  
Instale y fije el aparato de forma segura, de manera que no pueda caerse ni volcarse.



### ¡AVISO!

- No exponga el aparato a fuentes de calor (radiación directa del sol, calefacción, etc.). De este modo, evitará un calentamiento adicional del aparato.
- Coloque el aparato en un lugar seco y protegido contra posibles salpicaduras de agua.

## 2.4 Seguridad durante la conexión eléctrica del aparato



### ¡PELIGRO! ¡Peligro de muerte por descarga eléctrica!

- Al trabajar en instalaciones eléctricas asegúrese de que haya alguien en las cercanías para que le pueda ayudar en caso de emergencia.



### ¡ADVERTENCIA!

- Conecte siempre un solo aparato al inversor. Si conecta dos o más aparatos, puede producirse un cortocircuito.
- Asegúrese de que la longitud de la sección de cable sea suficiente.
- Tienda los cables de forma que las puertas o el capó del motor no los puedan dañar.  
Los cables aplastados pueden provocar lesiones que pongan en peligro la vida.

**¡ATENCIÓN!**

- Tienda los cables de tal forma que no se pueda tropezar con ellos ni se pueda dañar el cable.

**¡AVISO!**

- Use tubos corrugados o guías de cables cuando los cables se tengan que pasar a través de paredes chapa u otras paredes afiladas.
- **No** tienda el cable de red de 230 V y el cable de corriente continua de 12 V en la misma canaleta (tubo corrugado).
- **No** tienda los cables de forma que queden sueltos o estén muy doblados.
- Fije bien los cables.
- No tire de los cables.

## 2.5 Seguridad durante el funcionamiento del aparato

**¡PELIGRO! ¡Peligro de muerte por descarga eléctrica!**

- No toque directamente con las manos cables sin aislamiento. Esto rige especialmente en caso de funcionamiento con la red de corriente alterna.

**¡ADVERTENCIA!**

- Monte el aparato únicamente en recintos cerrados y bien ventilados.

**¡ATENCIÓN!**

- **No** utilice este aparato
  - en entornos con contenido en sal, húmedos o mojados,
  - en las proximidades de vapores agresivos,
  - en las proximidades de materiales inflamables,
  - en áreas con riesgo de explosión.
- Antes de la puesta en funcionamiento, asegúrese de que el cable de alimentación y la clavija estén secos.
- Siempre que realice tareas en el aparato desconecte la alimentación de corriente.
- Tenga en cuenta que incluso después de haberse activado el dispositivo de protección (fusible), algunas partes del aparato pueden seguir bajo tensión.
- No desconecte ningún cable mientras el aparato aún se encuentre en funcionamiento.



### ¡AVISO!

- Asegúrese de que las entradas y salidas de aire del aparato no queden tapadas.
- Preste atención a que haya una buena ventilación.

## 3 Volumen de entrega

Pos. en  
fig. **1**,  
página 3

Denominación

1	Inversor sinusoidal
2	Soporte
3	Tornillos de fijación
–	Instrucciones de uso

## 4 Uso adecuado



### ¡ADVERTENCIA!

El inversor no se puede usar en vehículos cuyo polo positivo de la batería esté conectado al chasis.

Los inversores sirven para transformar la tensión continua en tensión alterna de 230 V y 50 Hz:

- **12 V**: DSP212, DSP412
- **24 V**: DSP224, DSP424

En la conexión USB se pueden cargar baterías de aparatos con puerto USB (5 V, 2000 mA).

Este aparato está concebido para ser utilizado únicamente en vehículos.

## 5 Descripción técnica

Los inversores pueden ponerse en funcionamiento en cualquier lugar donde se disponga de una conexión CC.

- **12 V $\text{---}$** : DSP 212, DSP 412
- **24 V $\text{---}$** : DSP 224, DSP 424

La tensión de salida coincide con la tensión para aparatos domésticos de la caja de enchufe (tensión sinusoidal pura, factor de distorsión < 5%).

Respete los valores de potencia de salida constante y de potencia de salida máxima indicados en el capítulo capítulo "Datos técnicos" en la página 67. No se deben conectar aparatos que requieran más potencia.



### NOTA

A la hora de conectar aparatos con un motor de accionamiento eléctrico (por ejemplo, taladradora, nevera, etc.), tenga en cuenta que estos a menudo para arrancar necesitan un mayor consumo de potencia al indicado en la placa de características.

El inversor está equipado con distintos mecanismos de protección:

- **Protección contra la sobretensión:** El inversor se desconecta cuando el valor de tensión asciende por encima del valor de conexión. Cuando la tensión desciende al valor de reinicio, se vuelve a conectar.
- **Protección contra la subtensión:** El inversor se desconecta cuando el valor de tensión desciende por debajo del valor de conexión. Cuando la tensión asciende al valor de reinicio, se vuelve a conectar.
- **Protección contra el sobrecalentamiento:** El inversor se desconecta cuando la temperatura dentro del aparato o la temperatura del dispositivo de enfriamiento sobrepasan un valor de conexión. Cuando la tensión asciende al valor de reinicio, se vuelve a conectar.
- **Protección contra sobrecarga y protección contra cortocircuitos:** El LED en el inversor avisa de una avería cuando se ha conectado una carga demasiado grande o se ha producido un cortocircuito.



### NOTA

En el capítulo "Datos técnicos" en la página 67 encontrará cada uno de los valores de conexión.

## 5.1 Elementos de mando

Pos. en fig. 2, página 3	Descripción
1	Interruptor principal: enciende y apaga el aparato
2	LED de estado: véase el capítulo “Indicaciones de funcionamiento” en la página 64

## 5.2 Conexiones



### NOTA

En la imagen se representa la versión para Europa continental.

Pos. en fig. 2, página 3	Descripción
3	Conexión USB
4	Caja de enchufe de corriente alterna
5	Enchufe de corriente continua
6	Ventilador (para trasera)
7	<b>Solo DSP412, DSP424:</b> conexión para un interruptor externo

# 6 Montaje del inversor

## 6.1 Indicaciones para el montaje

Al elegir el lugar de montaje, tenga en cuenta las siguientes indicaciones:

- El inversor se puede montar vertical u horizontalmente.
- El inversor se debe instalar en un lugar protegido contra la humedad.
- El inversor no se puede montar en un entorno con materiales inflamables.
- El inversor no se puede montar en un entorno con mucho polvo.

- El lugar de montaje tiene que estar bien ventilado. En caso de instalación en recintos cerrados pequeños, debe haber ventilación suficiente. La separación mínima del inversor con los objetos a su alrededor debe ser de 5 cm (fig. **3**, página 4).
- La entrada de aire de la parte inferior y la salida de aire de la parte trasera del inversor tienen que estar expeditas.
- A temperaturas ambiente superiores a 40 °C (por ejemplo, en salas de motores o de calderas o bajo la radiación directa del sol), disminuye la potencia máxima de salida del inversor. Esto podría producir una sobrecarga a raíz de la cual se desactivaría el inversor.
- La superficie de montaje tiene que ser plana y tener una resistencia suficiente.



### ¡AVISO!

Antes de realizar cualquier perforación, asegúrese de que ningún cable eléctrico ni ninguna pieza del vehículo puedan resultar dañados al taladrar, serrar o limar.

## 6.2 Montaje del inversor

- Monte el inversor tal como se representa (fig. **4**, página 4).

# 7 Conexión del inversor



### ¡ADVERTENCIA!

Conecte siempre **un solo** aparato al inversor. La conexión de dos o más consumidores únicamente la puede llevar a cabo un electricista cualificado respetando las disposiciones locales relativas a la protección contra descarga eléctrica.



### ¡AVISO!

- Si se produce polaridad inversa, se quema un fusible interno que deberá ser repuesto por el servicio de atención al cliente de Dometic. Además también se pueden producir daños en el sistema electrónico.
- Tenga en cuenta que el inversor solo puede usarse con la siguiente tensión:
  - DSP212, DSP412: 12 V $\equiv$
  - DSP224, DSP424: 24 V $\equiv$

- Conecte el inversor como se representa:
  - Conexión de la batería:  
**DSP 212, DSP 224:** fig. **5**, página 5  
**DSP 412, DSP 424:** fig. **6**, página 5
  - Conexión de consumidores: fig. **7**, página 6

### **Conexión de interruptor externo para encender y apagar (solo DSP 412, DSP 424)**



#### **NOTA**

El inversor se activa en cuanto se acciona el interruptor externo o el interruptor principal (fig. **2** 1, página 3). Si el control únicamente ha de tener lugar a través del interruptor externo, se deberá entonces regular el interruptor principal a la posición "0".

- Conecte el interruptor externo como se indica (fig. **8**, página 6).

## **8 Uso del inversor**



#### **¡ATENCIÓN!**

Al conectar consumidores respete las disposiciones vigentes.

### **8.1 Conexión del inversor**

- Encienda el inversor con el interruptor principal (fig. **2** 1, página 3) (posición "1") ...
- ... o bien (**solo con DSP 412, DSP 424**) encienda el inversor con el interruptor externo (**opcional**).
- ✓ El LED de estado azul (fig. **2** 2, página 3) se ilumina.
- ✓ El aparato conectado queda alimentado con tensión alterna.

### **Cargar el aparato con el puerto USB**



#### **NOTA**

Siga también las instrucciones de uso del aparato que desee cargar en la conexión USB.

- Conecte el aparato a la conexión USB tal y como se indica (fig. **9**, página 7).

## 8.2 Indicaciones de funcionamiento

El LED azul (fig. 2, página 3) indica el estado de funcionamiento del inversor.

Indicación	Tensión de entrada
Iluminación permanente	Funcionamiento normal
Parpadeo prolongado, interrupción corta	Inversor sobrecalentado/sobrecarga
Parpadeo rápido	Sobretensión/subtensión
desactivado	Otros fallos

## 9 Mantenimiento y limpieza del inversor



### ¡AVISO!

No utilice ningún objeto o producto de limpieza corrosivo o duro en la limpieza, ya que podría dañar el producto.

- Limpie de vez en cuando el producto con un paño húmedo.



## 10 Solución de fallos



### ¡ADVERTENCIA!

No abra el aparato. ¡Corre el riesgo de sufrir una descarga eléctrica!



### NOTA

Para cuestiones más detalladas sobre los **datos del inversor**, póngase en contacto con el fabricante (encontrará las direcciones en la página posterior de las instrucciones).

El LED (fig. 2, página 3) indica el fallo:

Indicador LED	Causa	Solución
Parpadeo rápido	La tensión de entrada es demasiado alta	Compruebe la tensión de entrada y redúzcala.
	La tensión de entrada es demasiado baja	Hay que recargar la batería. Compruebe los cables y las conexiones.
Iluminación prolongada, interrupción corta	Sobrecarga térmica	Desconecte el inversor y el aparato conectado a él. Espere unos 5 – 10 minutos y vuelva a encender el inversor sin aparatos conectados a él. Reduzca la carga y asegúrese de que el inversor tiene una mejor ventilación. Después, vuelva a conectar el aparato al inversor.
	Sobrecarga	Desconecte el inversor y retire el aparato conectado a él. Después, vuelva a conectar el inversor sin aparatos conectados a él. Si ya no se indica una sobrecarga, hay un cortocircuito en el aparato conectado o la carga total era superior a la potencia especificada en la hoja de datos. Compruebe los cables y las conexiones.
Desactivado	Otros fallos	Diríjase al servicio de atención al cliente.

## 11 Garantía legal

Rige el plazo de garantía legal. Si el producto presenta algún defecto, diríjase a la sucursal del fabricante de su país (ver direcciones en el dorso de estas instrucciones) o a su establecimiento especializado.

Para la tramitación de la reparación y de la garantía debe enviar también los siguientes documentos:

- una copia de la factura con fecha de compra,
- el motivo de la reclamación o una descripción de la avería.

## 12 Gestión de residuos


► Deseche el material de embalaje en el contenedor de reciclaje correspondiente.



Cuando vaya a desechar definitivamente el producto, infórmese en el centro de reciclaje más cercano o en un comercio especializado sobre las normas pertinentes de eliminación de materiales.

## 13 Datos técnicos

Los siguientes datos técnicos rigen para todos los inversores:

Tensión de salida:	230 V $\sim$ $\pm$ 10 %, onda sinusoidal pura (factor de distorsión < 5%)
Frecuencia de salida:	50 Hz $\pm$ 0,5 Hz
Máxima eficacia energética:	>90 %
Evacuación de calor:	ventilador controlado en función de la temperatura y la carga
Temperatura ambiente para el funcionamiento:	de 0 °C a +50 °C
Temperatura ambiente almacenamiento:	de -30 °C a +70 °C
Humedad del aire:	0 – 95 %, sin condensación
Homologación/certificado:	

	<b>DSP212</b>	<b>DSP412</b>	<b>DSP224</b>	<b>DSP424</b>
N.º de art.:	9600002603 9600003593	9600002541 9600003595	9600002540 9600003594	9600002542 9600003596
Tensión nominal de entrada:	12 V $\equiv$		24 V $\equiv$	
Rango de tensión de entrada:	10 – 16,5 V $\equiv$		20 – 33 V $\equiv$	
Potencia nominal:	150 W	350 W	150 W	350 W
Potencia máxima para 1 min:	170 W	400 W	170 W	400 W
Potencia transitoria para 1 s:	300 W	700 W	300 W	700 W
Consumo de corriente sin carga:	<0,6 A	<0,6 A	<0,4 A	<0,4 A
Dimensiones A x L x H:	fig. <b>10</b> , página 7			
Peso:	1,1 kg	1,2 kg	1,1 kg	1,2 kg

### Dispositivos de seguridad

	12 V	24 V
Entrada:	Subtensión	
Salida de CA:	Sobretensión, cortocircuito, sobrecarga	
Temperatura:	Desconexión	
Protección contra cortocircuito:	sí, lpk	

### Protección contra sobretensión

Aparato	Sobretensión	
	Desconexión	Reinicio
DSP212, DSP412	16,5 V	15,5 V
DSP224, DSP424	33 V	31 V

### Protección contra la subtensión

Aparato	Subtensión	
	Desconexión	Reinicio
DSP212, DSP412	10 V	12 V
DSP224, DSP424	20 V	24 V

Encontrará la declaración de conformidad UE actual para su aparato en la página correspondiente al producto en [dometic.com](http://dometic.com) o directamente a través del fabricante (véase la parte posterior).

**Por favor, leia atentamente este manual antes da montagem e colocação em funcionamento do aparelho e guarde-o em local seguro. Em caso de transmissão do produto, entregue o manual ao novo utilizador.**

## Índice

1	Explicação dos símbolos . . . . .	70
2	Indicações gerais de segurança . . . . .	70
3	Material fornecido . . . . .	74
4	Utilização adequada . . . . .	74
5	Descrição técnica . . . . .	75
6	Montar o conversor . . . . .	77
7	Conectar o conversor . . . . .	77
8	Utilizar o conversor . . . . .	78
9	Conservar e limpar o conversor . . . . .	79
10	Eliminação de erros . . . . .	80
11	Garantia . . . . .	81
12	Eliminação . . . . .	81
13	Dados técnicos . . . . .	82

# 1 Explicação dos símbolos

**PERIGO!**

**Indicação de segurança:** o incumprimento causa a morte ou ferimentos graves.

**AVISO!**

**Indicação de segurança:** o incumprimento pode provocar a morte ou ferimentos graves.

**NOTA!**

O incumprimento pode causar danos materiais e pode prejudicar o funcionamento do produto.

**OBSERVAÇÃO**

Informações suplementares sobre a operação do produto.

## 2 Indicações gerais de segurança

### 2.1 Segurança geral

O fabricante não se responsabiliza por danos nos seguintes casos:

- Erros de montagem ou de conexão
- Danos no produto resultantes de influências mecânicas e sobretensões
- Alterações ao produto sem autorização expressa do fabricante
- Utilização para outras finalidades que não as descritas no manual de instruções

Tenha em atenção as seguintes medidas de segurança fundamentais na utilização de aparelhos elétricos para a proteção contra:

- choque elétrico
- perigo de incêndio
- ferimentos

## 2.2 Segurança essencial



### PERIGO!

- No caso de um incêndio, use um extintor que seja adequado para aparelhos eléctricos.



### AVISO!

- Utilize o aparelho apenas para o fim previsto.
- Tenha atenção para que o borne vermelho e o borne preto **nunca** se toquem.
- Separe o aparelho da rede eléctrica
  - antes de cada limpeza e conservação
  - antes da mudança de fusíveis
- Caso desmonte o aparelho:
  - Solte todas as ligações.
  - Certifique-se de que todas as entrada e saídas estão livres de tensão.
- Se o aparelho ou o cabo de ligação apresentar danos visíveis, não deve ser colocado em funcionamento.
- Se danificar o cabo de conexão deste aparelho, o mesmo tem de ser substituído pelo fabricante, pela sua assistência técnica ou por uma pessoa com qualificações equivalentes para evitar perigos.
- As reparações neste aparelho apenas devem ser realizadas por técnicos especializados. As reparações inadequadas podem provocar perigos graves.
- Este aparelho pode ser utilizado por crianças a partir dos 8 anos, assim como por pessoas com capacidades físicas, sensoriais ou mentais reduzidas e/ou com insuficiente experiência e conhecimento, quando supervisionadas ou quando tenham recebido informação acerca da utilização segura do aparelho e tenham compreendido os perigos dele resultantes.
- **Os aparelhos eléctricos não são brinquedos!**  
Guarde e utilize o aparelho fora do alcance das crianças.
- As crianças devem ser supervisionadas para assegurar que não brinquem com o aparelho.



### NOTA!

- Antes da colocação em funcionamento, compare a indicação da tensão na placa de características com a alimentação de energia existente.

- Tenha atenção para que outros objectos **não** causem curto-circuito nos contactos do aparelho.
- Nunca retire a ficha da tomada elétrica puxando pelo cabo de conexão.
- Guarde o aparelho num local seco e fresco.

## 2.3 Segurança durante a montagem do aparelho



### PERIGO!

- Não monte o aparelho em áreas nas quais existe perigo de explosão de gás ou de pó.



### PRECAUÇÃO!

- Tenha atenção para que esteja bem posicionado!  
O aparelho deve estar instalado e fixo de modo a que não possa tombar ou cair.



### NOTA!

- Não exponha o aparelho a fontes de calor (irradiação solar, aquecimento, etc). Assim, evita um aquecimento adicional do aparelho.
- Faça a montagem do aparelho num lugar seco e protegido contra salpicos de água.

## 2.4 Segurança durante a ligação elétrica do aparelho



### PERIGO! Perigo de morte devido a choque elétrico!

- Quando trabalha em unidades eléctricas, certifique-se que está alguém por perto para o ajudar em caso de emergência.



### AVISO!

- Conecte sempre apenas um consumidor ao conversor. Em caso de conexão de dois ou mais consumidores, pode ocorrer um curto-circuito.
- Tenha atenção a um secção transversal suficiente do cabo!
- Coloque os cabos de forma a que não sejam danificados através de portas ou de capôs de motores.  
Cabos trilhados podem conduzir a ferimentos com risco de vida.



**PRECAUÇÃO!**

- Coloque os cabos de modo a que não exista perigo de tropeçar e que sejam excluídos danos nos cabos.

**NOTA!**

- Utilize tubos vazios ou tubos de passar cabos quando os cabos tenham de ser passados por paredes de chapa ou outras paredes com arestas afiadas.
- **Não** coloque o cabo de rede de 230 V e o cabo de corrente contínua de 12 V no mesmo canal de cabos (tubo vazio).
- **Não** coloque os cabos soltos ou muito dobrados.
- Fixe bem os cabos.
- Não puxe pelos cabos.

## 2.5 Segurança durante a utilização do aparelho

**PERIGO! Perigo de morte devido a choque elétrico!**

- Nunca toque nos cabos não blindados apenas com as mãos. Isto aplica-se, em especial, durante o funcionamento com rede de corrente alterna.

**AVISO!**

- Use o aparelho exclusivamente em divisões fechadas e bem ventiladas.

**PRECAUÇÃO!**

- **Não** opere o aparelho
  - em ambiente salífero, húmido ou molhado
  - na proximidade de vapores agressivos
  - perto de materiais inflamáveis,
  - em áreas com perigo de explosão.
- Antes da colocação em funcionamento, tenha atenção para que o cabo de conexão e a ficha estejam secos.
- No caso de trabalhos no aparelho, deve interromper sempre a alimentação de corrente.
- Tenha em atenção que mesmo depois de disparar o dispositivo de segurança (fusível) há peças do aparelho que podem permanecer sob tensão.
- Não solte cabos enquanto o aparelho estiver em funcionamento.

**NOTA!**

- Preste atenção para não obstruir as entradas e saídas de ar do aparelho.
- Tenha atenção a uma boa ventilação.

### 3 Material fornecido

Pos. na fig. 1, página 3	Designação
1	Conversor sinusoidal
2	Fixação
3	Parafusos de fixação
-	Manual de instruções

### 4 Utilização adequada

**AVISO!**

O conversor não pode ser utilizado em veículos cujo polo positivo da bateria esteja ligado ao chassi.

Os conversores destinam-se a converter a corrente contínua numa corrente alternada de 230 V com 50 Hz:

- **12 V**: DSP212, DSP412
- **24 V**: DSP224, DSP424

Na conexão USB podem ser carregados dispositivos operados a bateria e com interface USB (5 V, 2000 mA).

Este aparelho destina-se exclusivamente à utilização em veículos.

## 5 Descrição técnica

Os conversores podem ser operados em qualquer lugar onde esteja disponível uma tomada de corrente contínua.

- **12 V<sub>DC</sub>**: DSP 212, DSP 412
- **24 V<sub>DC</sub>**: DSP 224, DSP 424

A tensão de saída corresponde à tensão obtida nas tomadas elétricas de casa (tensão sinusoidal pura, THD < 5%).

Respeite os valores para a potência de saída contínua e para a potência de saída máxima indicados no capítulo “Dados técnicos” na página 82. Aparelhos com um consumo de potência mais elevado não devem ser conectados.



### OBSERVAÇÃO

Ao conectar aparelhos com acionamento elétrico (por exemplo, berbequim, frigorífico, etc.), tenha em consideração que os mesmos necessitam frequentemente de uma potência de arranque mais elevada do que a indicada na chapa de características.

O conversor está equipado com diferentes mecanismos de proteção:

- **Proteção contra sobretensão:** O conversor desliga-se quando o valor de tensão excede o valor de desativação. Quando a tensão baixa para o valor de reinício, o conversor volta a ligar-se.
- **Proteção contra subtensão:** O conversor desliga-se quando o valor de tensão desce abaixo do valor de desativação. Quando a tensão sobe para o valor de reinício, o conversor volta a ligar-se.
- **Proteção contra sobreaquecimento:** O conversor desliga-se quando a temperatura dentro do aparelho ou a temperatura do dissipador de calor excede o valor de desativação. Quando a tensão sobe para o valor de reinício, o conversor volta a ligar-se.
- **Proteção contra sobrecarga e curto-circuito:** O LED no conversor indica uma falha de funcionamento sempre que a carga elétrica conectada for demasiado alta ou ocorrer um curto-circuito.



### OBSERVAÇÃO

Encontrará cada um dos valores de conexão no capítulo “Dados técnicos” na página 82.

## 5.1 Elementos de comando

Pos. na fig. 2, página 3	Descrição
1	Interruptor principal: Liga e desliga o aparelho
2	LED de estado: Ver capítulo “Indicações de funcionamento” na página 79

## 5.2 Conexões



### OBSERVAÇÃO

A versão ilustrada destina-se à Europa continental.

Pos. na fig. 2, página 3	Descrição
3	Conexão USB
4	Tomada de corrente alternada
5	Ficha de corrente contínua
6	Ventilador (verso)
7	<b>Apenas DSP412, DSP424:</b> Conexão para interruptor externo

## 6 Montar o conversor

### 6.1 Indicações de montagem

Ao selecionar o local de montagem, tenha atenção às seguintes indicações:

- A montagem do conversor tanto pode ser feita na horizontal como na vertical.
- O conversor tem de ser montado em local protegido da humidade.
- O conversor não pode ser instalado em ambientes com materiais inflamáveis.
- O conversor não pode ser instalado em ambientes com pó.
- O local de montagem deve ser bem ventilado. No caso de instalações em divisões pequenas e fechadas, deve existir uma boa ventilação e exaustão de ar. A distância livre à volta do conversor deve ser de, no mínimo, 5 cm (fig. 3, página 4).
- A entrada de ar na parte inferior e a saída de ar na parte posterior do conversor devem permanecer desobstruídas.
- Se as temperaturas ambiente forem superiores a 40 °C (por exemplo, em divisões com motor ou aquecimento, radiações solares diretas), a potência de saída máxima do conversor reduz. Desta forma, o conversor poderá desligar-se devido a sobrecarga.
- A superfície de montagem deve ser plana e apresentar uma estabilidade suficiente.



#### NOTA!

Antes de fazer quaisquer perfurações, certifique-se de que não são danificados cabos elétricos ou outras peças do veículo no seguimento de trabalhos de perfuração, corte ou lixamento.

### 6.2 Montar o conversor

- ▶ Instale o conversor como ilustrado (fig. 4, página 4).

## 7 Conectar o conversor



#### AVISO!

Conecte sempre **apenas um** consumidor ao conversor. A conexão de dois ou mais consumidores pode ser realizada apenas por um eletricitista, tendo em consideração as disposições legais locais relativas à proteção contra choques elétricos.

**NOTA!**

- Em caso de inversão de polaridade, é queimado um fusível interno que deve ser substituído pelo serviço de assistência técnica da Dometic. Além disso, poderão ocorrer danos no sistema eletrónico.
- Note que o conversor só pode ser operado com a seguinte tensão:
  - DSP212, DSP412: 12 V $\text{---}$
  - DSP224, DSP424: 24 V $\text{---}$

- Conecte o conversor como ilustrado:
  - Conectar a bateria:
    - DSP212, DSP224:** fig. **5**, página 5
    - DSP412, DSP424:** fig. **6**, página 5
  - Conectar os consumidores: fig. **7**, página 6

### Conectar interruptores externos para ligar e desligar (apenas DSP412, DSP424)

**OBSERVAÇÃO**

O conversor liga assim que o interruptor externo ou principal for ligado (fig. **2** 1, página 3). Se o controlo for realizado apenas através do interruptor externo, o interruptor principal deve ser comutado para a posição "0".

- Conecte o interruptor externo como ilustrado (fig. **8**, página 6).

## 8 Utilizar o conversor

**PRECAUÇÃO!**

Ao conectar os consumidores, tenha em atenção as disposições legais em vigor.

### 8.1 Ligar o conversor

- Ligue o conversor através do interruptor principal (fig. **2** 1, página 3) (posição "I")...
- ... ou (**apenas DSP412, DSP424**) ligue o conversor com o interruptor externo (**opcional**).
  - ✓ O LED de estado azul (fig. **2** 2, página 3) acende.
  - ✓ O consumidor é alimentado com tensão alternada.

## Carregar aparelho com interface USB



### OBSERVAÇÃO

Respeite também o manual de instruções do dispositivo que pretende carregar na conexão USB.

- Conecte o aparelho através da conexão USB como ilustrado (fig. **9**, página 7).

## 8.2 Indicações de funcionamento

O LED azul (fig. **2**, página 3) indica o estado de funcionamento do conversor.

Indicação	Tensão de entrada
Luzes permanentes	Funcionamento normal
Intermitência lenta, interrupção rápida	Sobreaquecimento ou sobrecarga do conversor
Intermitência rápida	Sobretensão/subtensão
Desligado	Outro erro

## 9 Conservar e limpar o conversor



### NOTA!

Não utilizar objectos afiados ou duros ou agentes de limpeza para a limpeza, uma vez que podem ser causados danos no produto.

- De vez em quando, limpe o aparelho com um pano húmido.

## 10 Eliminação de erros



### AVISO!

Não abra o aparelho. Corre o risco de sofrer um choque elétrico!



### OBSERVAÇÃO

Para mais informações detalhadas sobre os **dados do conversor**, entre em contacto com o fabricante (endereços, ver verso do manual).

O LED (fig. **2**, página 3) apresenta o erro:

Indicação LED	Causa	Eliminação
Intermitência rápida	Tensão de entrada demasiado elevada	Verifique a tensão de entrada e reduza a mesma.
	Tensão de entrada demasiado baixa	A bateria tem de ser recarregada. Verifique os cabos e as conexões.
Luzes lentas, intermitência rápida	Sobrecarga térmica	Desligue o conversor e o consumidor. Aguarde aprox. 5 – 10 minutos e volte a ligar o conversor sem consumidores. Reduza a carga e assegure uma melhor ventilação do conversor. Volte a ligar o consumidor.
	Sobrecarga	Desligue o conversor e retire o consumidor. Ligue de novo o conversor sem consumidor. Se já não aparecer a indicação de sobrecarga é porque existe um curto-circuito no consumidor ou a carga total era superior à potência especificada na folha de dados. Verifique os cabos e as conexões.
Desligado	Outro erro	Contacte o serviço de assistência técnica.



## 11 Garantia

É válido o prazo de garantia legal. Se o produto estiver com defeito, por favor, dirija-se à representação do fabricante no seu país (endereços, ver verso do manual) ou ao seu revendedor.

Para fins de reparação ou de garantia, terá de enviar os seguintes documentos em conjunto:

- uma cópia da factura com a data de aquisição,
- um motivo de reclamação ou uma descrição da falha.

## 12 Eliminação


- Sempre que possível, coloque o material de embalagem no respectivo contentor de reciclagem.



Para colocar o aparelho definitivamente fora de funcionamento, por favor, informe-se junto do centro de reciclagem mais próximo ou revendedor sobre as disposições de eliminação aplicáveis.

## 13 Dados técnicos

Os seguintes dados técnicos são válidos para todos os conversores:

Tensão de saída:	230 V~ ± 10%, onda sinusoidal pura (THD < 5%)
Frequência de saída:	50 Hz ± 0,5 Hz
Eficiência máxima:	> 90%
Dissipação térmica:	Temperatura e carga de funcionamento do ventilador
Temperatura ambiente de funcionamento:	0 °C a +50 °C
Temperatura ambiente de armazenamento:	-30 °C a +70 °C
Humidade do ar:	0 – 95%, sem condensação
Verificação/certificado:	

	<b>DSP212</b>	<b>DSP412</b>	<b>DSP224</b>	<b>DSP424</b>
N.º art.:	9600002603 9600003593	9600002541 9600003595	9600002540 9600003594	9600002542 9600003596
Tensão nominal de entrada:	12 V===		24 V===	
Gama da tensão de entrada:	10 – 16,5 V===		20 – 33 V===	
Potência nominal:	150 W	350 W	150 W	350 W
Potência máxima por 1 min:	170 W	400 W	170 W	400 W
Pico de corrente de saída por 1 s:	300 W	700 W	300 W	700 W
Consumo de corrente sem carga:	<0,6 A	<0,6 A	<0,4 A	<0,4 A
Dimensões L x C x A:	fig. <b>10</b> , página 7			
Peso:	1,1 kg	1,2 kg	1,1 kg	1,2 kg

**Dispositivos de proteção**

	12 V	24 V
Entrada:	Subtensão	
Saída AC:	Sobretensão, curto-circuito, sobrecarga	
Temperatura:	Desligamento	
Proteção contra curto-circuito:	sim, lpk	

**Proteção contra sobretensão**

Aparelho	Sobretensão	
	Desligamento	Reinício
DSP212, DSP412	16,5 V	15,5 V
DSP224, DSP424	33 V	31 V

**Proteção contra subtensão**

Aparelho	Subtensão	
	Desligamento	Reinício
DSP212, DSP412	10 V	12 V
DSP224, DSP424	20 V	24 V

A atual declaração de conformidade UE do seu aparelho pode ser obtida na respectiva página do produto, em [dometic.com](http://dometic.com), ou solicitada diretamente ao fabricante (ver verso).

**Prima di effettuare il montaggio e la messa in funzione leggere accuratamente questo manuale di istruzioni, conservarlo e in caso di trasmissione del prodotto, consegnarlo all'utente successivo.**

## Indice

1	Spiegazione dei simboli . . . . .	85
2	Indicazioni di sicurezza generali. . . . .	85
3	Dotazione . . . . .	89
4	Conformità d'uso . . . . .	89
5	Descrizione tecnica. . . . .	90
6	Montaggio dell'inverter . . . . .	91
7	Collegamento dell'inverter . . . . .	92
8	Impiego dell'inverter . . . . .	93
9	Cura e pulizia dell'inverter . . . . .	94
10	Ricerca guasti . . . . .	95
11	Garanzia . . . . .	96
12	Smaltimento . . . . .	96
13	Specifiche tecniche. . . . .	97

# 1 Spiegazione dei simboli

**PERICOLO!**

**Avviso di sicurezza:** la mancata osservanza di questo avviso comporta ferite gravi anche mortali.

**AVVERTENZA!**

Avviso di sicurezza: la mancata osservanza di questo avviso può causare ferite gravi anche mortali.

**AVVISO!**

La mancata osservanza di questa nota può causare danni materiali e compromettere il funzionamento del prodotto.

**NOTA**

Informazioni integranti relative all'impiego del prodotto.

## 2 Indicazioni di sicurezza generali

### 2.1 Sicurezza generale

Il produttore non si assume nessuna responsabilità per danni nei seguenti casi:

- errori di montaggio o di allacciamento
- danni al prodotto dovuti a influenze meccaniche o a sovratensioni
- modifiche al prodotto senza esplicita autorizzazione del produttore
- impiego per altri fini rispetto a quelli descritti nel manuale di istruzioni

Durante l'uso di apparecchi elettrici attenersi alle misure di sicurezza fondamentali descritte qui di seguito per proteggersi da:

- scosse elettriche
- pericolo di incendio
- lesioni

## 2.2 Sicurezza di base



### PERICOLO!

- In caso di incendio usare un estintore per apparecchi elettrici.



### AVVERTENZA!

- Utilizzare l'apparecchio solamente per un uso conforme alla sua destinazione.
- Fare attenzione che il morsetto rosso e quello nero non entrino **mai** in contatto.
- Staccare l'apparecchio dalla rete
  - prima di effettuare la pulizia e la cura
  - prima di sostituire un fusibile
- Se l'apparecchio viene smontato:
  - Staccare tutti i collegamenti.
  - Assicurarsi che tutte le uscite e tutti gli ingressi siano privi di tensione.
- Se il cavo di allacciamento o l'apparecchio presentano danni visibili, evitare di mettere in funzione l'apparecchio.
- Se il cavo di allacciamento di questo apparecchio viene danneggiato, esso deve essere sostituito dal produttore, da parte del suo servizio clienti, oppure da una persona sufficientemente qualificata, al fine di evitare pericoli.
- Questo apparecchio deve essere riparato solo da personale specializzato. Le riparazioni effettuate in modo scorretto possono causare rischi enormi.
- Il presente apparecchio può essere usato da bambini a partire dagli 8 anni e da utenti con ridotte capacità fisiche, sensoriali o mentali o inesperti e/o con conoscenze insufficienti, se non sono lasciati soli o se sono stati istruiti sull'utilizzo sicuro dell'apparecchio e hanno compreso i pericoli che possono insorgere.
- **Gli elettrodomestici non sono giocattoli!**  
Conservare e impiegare l'apparecchio lontano dalla portata dei bambini.
- Non lasciare soli i bambini per assicurarsi che non giochino con l'apparecchio.

**AVVISO!**

- Prima della messa in funzione, confrontare i dati della tensione riportati sulla targhetta con quelli delle prese e degli attacchi disponibili.
- Assicurarci che altri oggetti **non** causino un cortocircuito sui contatti dell'apparecchio.
- Non estrarre mai la spina dalla presa tirando il cavo di allacciamento.
- Immagazzinare l'apparecchio in un luogo asciutto e fresco.

## 2.3 Sicurezza durante il montaggio dell'apparecchio

**PERICOLO!**

- Non montare l'apparecchio in zone dove sussiste il pericolo di esplosioni di gas o polveri.

**ATTENZIONE!**

- Accertarsi che la base di appoggio sia sicura!  
Posizionare e fissare l'apparecchio in modo sicuro per impedire che possa rovesciarsi o cadere.

**AVVISO!**

- Non esporre l'apparecchio a fonti di calore (esposizione ai raggi solari, riscaldamento e simili). Evitare che l'apparecchio si surriscaldi ulteriormente.
- Installare l'apparecchio in un posto asciutto e protetto da eventuali spruzzi d'acqua.

## 2.4 Sicurezza durante il collegamento elettrico dell'apparecchio

**PERICOLO! Pericolo di morte a causa di scossa elettrica!**

- Quando si eseguono lavori agli impianti elettrici, assicurarsi che nelle vicinanze si trovi qualcuno in grado di intervenire in caso di necessità.

**AVVERTENZA!**

- Collegare sempre soltanto un'utenza all'inverter. Se si collegano due o più utenze si può provocare un cortocircuito.
- Accertarsi che la sezione del cavo sia sufficientemente ampia.
- Posare le linee in modo che non possano essere danneggiate se fatte passare attraverso porte o cofani del motore.  
Cavi schiacciati possono causare lesioni mortali.

**ATTENZIONE!**

- Posare i cavi in modo tale che non sussista pericolo di inciampamento e che si possano escludere eventuali danni al cavo.

**AVVISO!**

- Utilizzare tubi vuoti o canaline per cavi qualora i cavi debbano passare attraverso pareti in lamiera oppure pareti con spigoli vivi.
- **Non** posare il cavo di rete da 230 V e il cavo di corrente continua da 12 V nello stesso condotto (tubo vuoto)!
- **Non** posare i cavi in modo malfermo o con forti pieghe.
- Fissare bene i cavi.
- Non tirare i cavi.

## 2.5 Sicurezza durante il funzionamento dell'apparecchio

**PERICOLO! Pericolo di morte a causa di scossa elettrica!**

- Non toccare mai i cavi nudi a mani nude. Questo vale soprattutto per il funzionamento con rete di alimentazione in corrente alternata.

**AVVERTENZA!**

- Utilizzare l'apparecchio esclusivamente in ambienti chiusi ben aerati.

**ATTENZIONE!**

- **Non** azionare l'apparecchio
  - in ambienti salini, umidi o bagnati,
  - in prossimità di vapori aggressivi
  - in prossimità di materiali infiammabili
  - in zone a rischio di esplosione.
- Prima della messa in funzione, assicurarsi che la linea di alimentazione e la spina siano asciutte.
- Interrompere sempre l'alimentazione elettrica qualora si operi sull'apparecchio.
- Notare che, anche dopo l'attivazione del dispositivo di protezione (fusibile), alcuni componenti dell'apparecchio possono rimanere sotto tensione.
- Non staccare nessun cavo se l'apparecchio è ancora in funzione.



**AVVISO!**

- Accertarsi che gli ingressi e le uscite dell'aria dell'apparecchio non siano coperti.
- Accertarsi che ci sia una buona aerazione.

### 3 Dotazione

Pos. in fig. <b>1</b> , pagina 3	Descrizione
1	Inverter a onda sinusoidale
2	Supporto
3	Viti di fissaggio
-	Manuale di istruzioni

### 4 Conformità d'uso

**AVVERTENZA!**

Non montare l'inverter su veicoli nei quali il polo positivo della batteria è collegato al telaio.

Gli inverter servono a trasformare la tensione continua di 12 V in una tensione alternata da 230 V di 50 Hz:

- **12 V**: DSP212, DSP412
- **24 V**: DSP224, DSP424

Sulla porta USB possono essere caricati dispositivi con funzionamento a batteria con interfaccia USB (5 V, 2000 mA).

Questo dispositivo è adatto esclusivamente all'uso su veicoli.

## 5 Descrizione tecnica

Gli inverter possono essere messi in funzione laddove sia presente una presa in CC.

- **12 V<sub>CC</sub>**: DSP212, DSP412
- **24 V<sub>CC</sub>**: DSP224, DSP424

La tensione di uscita corrisponde alla tensione domestica della presa di corrente (tensione sinusoidale pura, coefficiente distorsione armonica < 5%).

Osservare i valori della potenza di uscita continua e della potenza di uscita di picco, così come sono riportati nel capitolo capitolo “Specifiche tecniche” a pagina 97.

I dispositivi con requisiti di potenza più elevati non devono essere collegati.



### NOTA

In caso di collegamento di dispositivi con azionamento elettrico (ad es. trapani, frigoriferi, ecc.) tenere presente che, in fase di avvio, questi spesso necessitano di una potenza maggiore rispetto a quella riportata sulla targhetta.

L'inverter è dotato di diversi meccanismi di protezione:

- **Protezione da sovratensione:** l'inverter si spegne quando il valore di tensione supera il valore di disinserimento. Si avvia di nuovo quando la tensione scende fino al valore di riavvio.
- **Protezione da sottotensione:** l'inverter si spegne quando il valore di tensione scende sotto il valore di disinserimento. Si avvia di nuovo quando la tensione sale fino al valore di riavvio.
- **Protezione da sovratemperatura:** l'inverter si spegne quando la temperatura all'interno del dispositivo o la temperatura del raffreddatore superano un valore di disinserimento. Si avvia di nuovo quando la tensione sale fino al valore di riavvio.
- **Protezione da sovraccarico e protezione da cortocircuito:** il LED sull'inverter segnala un disturbo di funzionamento se il carico collegato è eccessivo oppure se si è verificato un cortocircuito.



### NOTA

I singoli valori di commutazione sono riportati nel capitolo “Specifiche tecniche” a pagina 97.

## 5.1 Elementi di comando

Pos. in fig. <b>2</b> , pagina 3	Descrizione
1	Interruttore principale: Accende e spegne il dispositivo
2	LED di stato: Vedi capitolo "Spie di funzionamento" a pagina 94

## 5.2 Collegamenti



### NOTA

Nella figura è rappresentata la versione per l'Europa continentale.

Pos. in fig. <b>2</b> , pagina 3	Descrizione
3	Porta USB
4	Presa in corrente alternata
5	Spina per corrente continua
6	Ventola (lato posteriore)
7	<b>Solo DSP412, DSP424:</b> collegamento per l'interruttore esterno

# 6 Montaggio dell'inverter

## 6.1 Indicazioni per il montaggio

Per la scelta del luogo di montaggio fare attenzione alle seguenti indicazioni:

- L'inverter può essere montato orizzontalmente o verticalmente.
- L'inverter deve essere montato in un punto protetto da umidità.
- Non montare l'inverter in ambienti in cui sono presenti materiali infiammabili.
- Non montare l'inverter in ambienti polverosi.
- Il luogo di montaggio deve essere sufficientemente aerato. Se le installazioni vengono eseguite in locali piccoli e chiusi, deve essere presente un sistema di aerazione e disaerazione. La distanza libera minima intorno all'inverter deve essere di 5 cm (fig. **3**, pagina 4).

- L'entrata d'aria sul lato inferiore e l'uscita d'aria sul lato posteriore dell'inverter devono rimanere libere.
- Con temperature ambiente superiori a 40 °C (ad es. in vani motore o di riscaldamento, esposizione diretta ai raggi solari) si riduce la potenza di uscita massima dell'inverter, con il conseguente possibile disinserimento dell'inverter a causa di sovraccarichi.
- La superficie di montaggio deve essere piana e sufficientemente stabile.

**AVVISO!**

Prima di effettuare qualsiasi tipo di foro, assicurarsi che nessun cavo elettrico o altri componenti del veicolo vengano danneggiati durante l'uso di trapani, seghe e lime.

## 6.2 Montaggio dell'inverter

- Montare l'inverter secondo le modalità mostrate (fig. **4**, pagina 4).

# 7 Collegamento dell'inverter

**AVVERTENZA!**

Collegare sempre **soltanto un'unica** utenza all'inverter. Il collegamento di due o più utenze deve essere effettuata solo da un elettricista specializzato nel rispetto delle disposizioni locali in materia di protezione dalle scosse elettriche.

**AVVISO!**

- Nel caso di inversione delle polarità, si brucia un fusibile interno che deve essere quindi sostituito da Dometic Service, oltre al conseguente rischio di danneggiamento dell'elettronica.
- Prestare attenzione al fatto che l'inverter deve funzionare solo con i seguenti valori della tensione:
  - DSP212, DSP412: 12 V $\overline{=}$
  - DSP224, DSP424: 24 V $\overline{=}$

- Collegare l'inverter secondo le modalità mostrate:
  - Collegamento della batteria:
    - DSP212, DSP224:** fig. **5**, pagina 5
    - DSP412, DSP424:** fig. **6**, pagina 5
  - Collegamento dell'utenza: fig. **7**, pagina 6

## Collegamento dell'interruttore per l'accensione e lo spegnimento (solo DSP412, DSP424)



### NOTA

L'inverter è acceso non appena è acceso l'interruttore esterno o quello principale (fig. **2** 1, pagina 3). Se il comando deve avvenire solo tramite l'interruttore esterno, l'interruttore principale deve essere commutato nella posizione "0".

- ▶ Collegare l'interruttore esterno secondo le modalità mostrate (fig. **8**, pagina 6).

## 8 Impiego dell'inverter



### ATTENZIONE!

Rispettare le disposizioni in vigore in sede di collegamento di utenze.

### 8.1 Accensione dell'inverter

- ▶ Accendere l'inverter con l'interruttore principale (fig. **2** 1, pagina 3) (posizione "I") ...
- ▶ ... oppure (**solo DSP412, DSP424**) accendere l'inverter con l'interruttore esterno (**opzionale**).
- ✓ Il LED di stato blu (fig. **2** 2, pagina 3) è acceso.
- ✓ L'utenza viene alimentata con corrente alternata.

### Caricamento del dispositivo con interfaccia USB



### NOTA

Osservare anche il manuale di istruzioni del dispositivo che desiderate allacciare alla porta USB.

- ▶ Collegare il dispositivo con la porta USB seguendo le modalità mostrate (fig. **9**, pagina 7).

## 8.2 Spie di funzionamento

Il LED blu (fig. **2** 2, pagina 3) indica lo stato di esercizio dell'inverter.

Visualizzazione	Tensione di ingresso
Luce fissa	Funzionamento normale
Lampeggi lunghi, interruzione breve	Inverter surriscaldato/sovraccarico
Lampeggi veloci	Sovratensione/sottotensione
Spento	Altri errori

## 9 Cura e pulizia dell'inverter



### AVVISO!

Per la pulizia non impiegare oggetti ruvidi o appuntiti, oppure detergenti perché potrebbero danneggiare il prodotto.

- Pulire il prodotto di tanto in tanto con un panno umido.

## 10 Ricerca guasti



### AVVERTENZA!

Non aprire l'apparecchio. Pericolo di scosse elettriche!



### NOTA

In caso di domande specifiche sui **dati dell'inverter**, rivolgersi al produttore (l'indirizzo si trova sul retro del manuale di istruzioni).

Il LED (fig. **2** 2, pagina 3) indica l'errore:

Indicazione LED	Causa	Soluzione
Lampeggi veloci	Tensione di ingresso eccessiva	Controllare la tensione di ingresso e ridurla.
	Tensione di ingresso troppo bassa	La batteria deve essere ricaricata. Controllare i cavi e i collegamenti.
Lampeggi lunghi, interruzioni brevi	Sovraccarico termico	Spegnere l'inverter e l'utenza. Attendere ca. 5 – 10 minuti e riaccendere l'inverter senza utenza. Ridurre il carico e provvedere ad una migliore aerazione dell'inverter. A questo punto riaccendere l'utenza.
	Carico eccessivo	Spegnere l'inverter e rimuovere l'utenza. A questo punto riaccendere l'inverter senza utenza. Se adesso non viene più segnalata una sollecitazione eccessiva, in tal caso significa che si è verificato un cortocircuito nell'utenza oppure che la sollecitazione totale è maggiore della potenza specificata nella scheda tecnica. Controllare i cavi e i collegamenti.
Off	Altri errori	Rivolgersi al Servizio Assistenza Clienti.

## 11 Garanzia

Vale il termine di garanzia previsto dalla legge. Qualora il prodotto risultasse difettoso, La preghiamo di rivolgersi alla filiale del produttore del suo Paese (l'indirizzo si trova sul retro del manuale di istruzioni), oppure al rivenditore specializzato di riferimento.

Per la riparazione e per il disbrigo delle condizioni di garanzia è necessario inviare la seguente documentazione:

- una copia della fattura con la data di acquisto del prodotto,
- un motivo su cui fondare il reclamo, oppure una descrizione del guasto.

## 12 Smaltimento

- Raccogliere il materiale di imballaggio possibilmente negli appositi contenitori di riciclaggio.




Quando il prodotto viene messo fuori servizio definitivamente, informarsi al centro di riciclaggio più vicino, oppure presso il proprio rivenditore specializzato, sulle prescrizioni adeguate concernenti lo smaltimento.



## 13 Specifiche tecniche

Le seguenti specifiche tecniche sono valide per tutti gli inverter:

Tensione di uscita:	230 V~ ± 10 %, onda sinusoidale pura (coefficiente distorsione armonica < 5%)
Frequenza di uscita:	50 Hz ± 0,5 Hz
Efficienza massima:	>90 %
Asportazione di calore:	ventola a temperatura e carico controllati
Temperatura ambiente per funzionamento:	da 0 °C a +50 °C
Temperatura ambiente per stoccaggio:	da -30 °C a +70 °C
Umidità dell'aria:	0 – 95 %, non condensante
Certificazione/certificati:	

	<b>DSP212</b>	<b>DSP412</b>	<b>DSP224</b>	<b>DSP424</b>
N. art:	9600002603 9600003593	9600002541 9600003595	9600002540 9600003594	9600002542 9600003596
Tensione nominale di ingresso:	12 V <sup>===</sup>		24 V <sup>===</sup>	
Campo di tensione di ingresso:	10 – 16,5 V <sup>===</sup>		20 – 33 V <sup>===</sup>	
Potenza nominale:	150 W	350 W	150 W	350 W
Potenza massima per 1 min:	170 W	400 W	170 W	400 W
Potenza di picco per 1 s:	300 W	700 W	300 W	700 W
Assorbimento di corrente a vuoto:	<0,6 A	<0,6 A	<0,4 A	<0,4 A
Dimensioni L x P x A:	fig. <b>10</b> , pagina 7			
Peso:	1,1 kg	1,2 kg	1,1 kg	1,2 kg

**Dispositivi di protezione**

	<b>12 V</b>	<b>24 V</b>
Ingresso:	Sottotensione	
Uscita CA:	Sovratensione, cortocircuito, sovraccarico	
Temperatura:	Spegnimento	
Protezione da cortocircuito:	sì, lpk	

**Protezione da sovratensione**

<b>Apparecchio</b>	<b>Sovratensione</b>	
	<b>Spegnimento</b>	<b>Riavvio</b>
DSP212, DSP412	16,5 V	15,5 V
DSP224, DSP424	33 V	31 V

**Protezione da sottotensione**

<b>Apparecchio</b>	<b>Sottotensione</b>	
	<b>Spegnimento</b>	<b>Riavvio</b>
DSP212, DSP412	10 V	12 V
DSP224, DSP424	20 V	24 V

L'attuale dichiarazione di conformità UE per il proprio apparecchio è disponibile sulla relativa pagina del prodotto al sito [dometic.com](http://dometic.com) o direttamente tramite il produttore (vedi retro).

**Lees deze handleiding voor de montage en de ingebruikname zorgvuldig door en bewaar hem. Geef de handleiding bij het doorgeven van het product aan de gebruiker.**

## **Inhoudsopgave**

1	Verklaring van de symbolen . . . . .	100
2	Algemene veiligheidsinstructies . . . . .	100
3	Omvang van de levering . . . . .	104
4	Reglementair gebruik . . . . .	104
5	Technische beschrijving . . . . .	105
6	Omvormer monteren . . . . .	106
7	Omvormer aansluiten . . . . .	107
8	Omvormer gebruiken . . . . .	108
9	Omvormer onderhouden en reinigen . . . . .	109
10	Verhelpen van storingen . . . . .	110
11	Garantie . . . . .	111
12	Afvoer . . . . .	111
13	Technische gegevens . . . . .	112

# 1 Verklaring van de symbolen

**GEVAAR!**

**Veiligheidsaanwijzing:** Het niet naleven leidt tot overlijden of ernstig letsel.

**WAARSCHUWING!**

**Veiligheidsaanwijzing:** Het niet naleven kan leiden tot overlijden of ernstig letsel.

**LET OP!**

Het niet naleven ervan kan leiden tot materiële schade en de werking van het product beperken.

**INSTRUCTIE**

Aanvullende informatie voor het bedienen van het product.

## 2 Algemene veiligheidsinstructies

### 2.1 Algemene veiligheid

De fabrikant kan in de volgende gevallen niet aansprakelijk worden gesteld voor schade:

- montage- of aansluitfouten
- beschadiging van het product door mechanische invloeden en overspanningen
- veranderingen aan het product zonder uitdrukkelijke toestemming van de fabrikant
- gebruik voor andere dan de in de handleiding beschreven toepassingen

Neem de volgende essentiële veiligheidsmaatregelen in acht bij het gebruik van elektrische toestellen, ter bescherming tegen:

- elektrische schokken
- brandgevaar
- verwondingen

## 2.2 Essentiële veiligheid



### GEVAAR!

- Gebruik in het geval van brand een brandblusser die geschikt is voor elektrische toestellen.



### WAARSCHUWING!

- Gebruik het toestel alleen volgens de voorschriften.
- Let erop dat de rode en zwarte klem elkaar **nooit** raken.
- Koppel het toestel los van het elektriciteitsnet
  - voor iedere reiniging en ieder onderhoud
  - voor het vervangen van een zekering
- Als u het toestel demonteert:
  - Maak alle verbindingen los.
  - Zorg ervoor dat alle in- en uitgangen spanningsvrij zijn.
- Als het toestel of de aansluitkabel zichtbaar beschadigd zijn, mag u het toestel niet in gebruik nemen.
- Als de aansluitkabel van dit toestel wordt beschadigd, moet deze, om gevaren te vermijden, door de fabrikant, de betreffende klantenservice of een gelijkwaardig gekwalificeerde persoon vervangen worden.
- Reparaties aan dit toestel mogen uitsluitend door vakmonteurs uitgevoerd worden. Door ondeskundige reparaties kunnen grote gevaren ontstaan.
- Dit toestel kan door kinderen vanaf 8 jaar en ouder evenals door personen met verminderde fysieke, zintuiglijke of geestelijke vermogens of tekortschietende ervaring en/of kennis gebruikt worden, als ze worden begeleid of hun is uitgelegd hoe ze het toestel veilig kunnen gebruiken. Ook dienen ze inzicht te hebben in de gevaren die het gebruik van het toestel met zich meebrengt.
- **Elektrische toestellen zijn geen speelgoed!**  
Bewaar en gebruik het toestel buiten het bereik van kinderen.
- Er moet toezicht worden gehouden op kinderen, zodat ze niet met het toestel gaan spelen.



### LET OP!

- Vergelijk voor de ingebruikneming de spanning op het typeplaatje met de aanwezige energievoorziening.
- Let erop dat andere voorwerpen **geen** kortsluiting bij de contacten van het toestel veroorzaken.

- Trek de stekker nooit aan de aansluitkabel uit het stopcontact.
- Bewaar het toestel op een droge en koele plaats.

## 2.3 Veiligheid bij de montage van het toestel



### GEVAAR!

- Monteer het toestel niet op plaatsen waar gevaar voor gas- of stofexplosie bestaat.



### VOORZICHTIG!

- Let op een stabiele stand!  
Het toestel moet zo veilig opgesteld en bevestigd worden, dat het niet kan omvallen of naar beneden kan vallen.



### LET OP!

- Stel het toestel niet bloot aan een warmtebron (zonnestraling, verwarming enz.). Vermijd zo een extra opwarming van het toestel.
- Stel het toestel op een droge en tegen spatwater beschermde plaats op.

## 2.4 Veiligheid bij de elektrische aansluiting van het toestel



### GEVAAR! Levensgevaar door stroomschok!

- Als u aan elektrische installaties werkt, zorg er dan voor dat er iemand in de buurt is die u in geval van nood kan helpen.



### WAARSCHUWING!

- Sluit altijd slechts één verbruiker op de omvormer aan. Bij de aansluiting van twee of meer verbruikers kan er kortsluiting ontstaan.
- Zorg voor een voldoende grote leidingdoorsnede.
- Leg de leidingen zo aan, dat ze niet door deuren of motorkappen beschadigd kunnen raken.  
Geplette kabels kunnen tot levensgevaarlijke verwondingen leiden.



### VOORZICHTIG!

- Installeer de leidingen zodanig dat er niet over gestruikeld kan worden en beschadiging van de kabel uitgesloten is.

**LET OP!**

- Gebruik holle buizen of leidingdoorvoeren, als leidingen door plaatwanden of andere wanden met scherpe randen geleid moeten worden.
- Plaats het 230-V-netsnoer en de 12-V-gelijkstroomleiding **niet** in dezelfde kabelgoot (holle buis).
- Leg de leidingen **niet** los of scherp geknikt.
- Bevestig de leidingen goed.
- Trek niet aan leidingen.

## 2.5 Veiligheid bij het gebruik van het toestel

**GEVAAR! Levensgevaar door stroomschok!**

- Blanke leidingen nooit met blote handen aanraken. Dit geldt vooral bij gebruik op het wisselstroomnet.

**WAARSCHUWING!**

- Gebruik het toestel uitsluitend in gesloten, goed geventileerde ruimtes.

**VOORZICHTIG!**

- Gebruik het toestel **niet**
  - in een zouthoudende, vochtige of natte omgeving
  - in de buurt van agressieve dampen
  - in de buurt van brandbare materialen
  - in explosieve omgevingen
- Let er voor de ingebruikneming op dat de toevoerleiding en de stekker droog zijn.
- Onderbreek bij werkzaamheden aan het toestel altijd de stroomtoevoer.
- Let erop dat ook na het activeren van de veiligheidsinrichting (zekering) delen van het toestel onder spanning kunnen blijven staan.
- Maak geen kabels los als het toestel nog in gebruik is.

**LET OP!**

- Let erop dat de luchtinlaat- en uitlaatopeningen van het toestel niet worden afgedekt.
- Let op een goede ventilatie.

### 3 Omvang van de levering

Pos. in afb. <b>1</b> , pagina 3	Omschrijving
1	Sinusomvormer
2	Houder
3	Bevestigingsschroeven
-	Bedieningshandleiding

### 4 Reglementair gebruik



#### WAARSCHUWING!

De omvormer mag niet worden gebruikt in voertuigen waarbij de plus-pool van de accu met het chassis is verbonden.

De omvormers worden gebruikt om gelijkspanning om te zetten in een wisselspanning van 230 V, 50 Hz:

- **12 V**: DSP212, DSP412
- **24 V**: DSP224, DSP424

Via de USB-aansluiting kunnen toestellen met accu en USB-interface worden opgeladen (5 V, 2000 mA).

Dit toestel is uitsluitend voor het gebruik in voertuigen geschikt.



## 5 Technische beschrijving

De omvormers kunnen overal gebruikt worden waar een DC-aansluiting voorhanden is.

- **12 V<sub>DC</sub>**: DSP 212, DSP 412
- **24 V<sub>DC</sub>**: DSP 224, DSP 424

De uitgangsspanning komt overeen met de huishoudspanning uit het stopcontact (zuivere sinusspanning, vervorming < 5%).

Neem de waarden voor continu uitgangsvermogen en piekuitgangsvermogen in acht, zoals ze in hoofdstuk „Technische gegevens“ op pagina 112 staan vermeld. Toestellen met een hogere vermogensbehoefte mogen niet worden aangesloten.



### INSTRUCTIE

Houd er bij de aansluiting van toestellen met elektrische aandrijving (bijv. boormachine, koelkast, e.d.) rekening mee dat die voor het opstarten vaak een hoger vermogen nodig hebben dan is aangegeven op het typeplaatje.

De omvormer beschikt over verschillende beveiligingen:

- **Overspanningsbeveiliging:** De omvormer schakelt uit, als de spanningswaarde boven de uitschakelwaarde stijgt. Hij start weer, als de spanning tot de herstartwaarde daalt.
- **Onderspanningsbeveiliging:** De omvormer schakelt uit, als de spanningswaarde onder de uitschakelwaarde daalt. Hij start weer, als de spanning tot de herstartwaarde stijgt.
- **Oververhittingsbeveiliging:** De omvormer schakelt uit, als de temperatuur binnen in het toestel of de temperatuur bij de koelplaat hoger is dan een uitschakelwaarde. Hij start weer, als de spanning tot de herstartwaarde stijgt.
- **Overbelastingsbeveiliging en beveiliging tegen kortsluiting:** De led op de omvormer meldt een bedrijfsstoring, als er een te grote last is aangesloten of een kortsluiting werd veroorzaakt.



### INSTRUCTIE

De afzonderlijke schakelwaarden vindt u in hoofdstuk „Technische gegevens“ op pagina 112.

## 5.1 Bedieningselementen

Pos. in afb. <b>2</b> , pagina 3	Beschrijving
1	Hoofdschakelaar: Schakelt het toestel in en uit
2	Status-LED: Zie hoofdstuk „Bedrijfsindicaties“ op pagina 109

## 5.2 Aansluitingen



### INSTRUCTIE

Afgebeeld is de versie voor Continentaal Europa.

Pos. in afb. <b>2</b> , pagina 3	Beschrijving
3	USB-aansluiting
4	Wisselstroomcontactdoos
5	Gelijkstroomstekker
6	Ventilator (achterkant)
7	<b>Alleen DSP412, DSP424:</b> Aansluiting voor externe schakelaar

# 6 Omvormer monteren

## 6.1 Montage-instructies

Neem bij de keuze van de montageplaats de onderstaande instructies in acht:

- De omvormer kan horizontaal en verticaal worden gemonteerd.
- De omvormer moet op een plaats worden ingebouwd die beschermd is tegen vocht.
- De omvormer mag niet in omgevingen met ontvlambare materialen worden ingebouwd.
- De omvormer mag niet in stoffige omgevingen worden ingebouwd.

- De montageplaats moet goed geventileerd zijn. Bij installaties in gesloten, kleine ruimtes moet er ventilatie mogelijk zijn. De vrije minimumafstand om de omvormer moet minimaal 5 cm bedragen (afb. **3**, pagina 4).
- De luchtinlaat aan de onderzijde resp. de luchtuitlaat aan de achterzijde van de omvormer moeten vrij blijven.
- Bij omgevingstemperaturen boven 40 °C (bijv. in motor- of verwarmingsruimtes, directe zonnestraling), vermindert het maximale uitgangsvermogen van de omvormer. Daardoor kan het tot uitschakeling van de omvormer wegens overbelasting komen.
- Het montagevlak moet vlak zijn en voldoende stevigheid bieden.

**LET OP!**

Controleer voor het boren of er geen elektrische kabels of andere delen van het voertuig door boren, zagen en vijlen beschadigd kunnen raken.

## 6.2 Omvormer monteren

- Monteer de omvormer zoals weergegeven (afb. **4**, pagina 4).

# 7 Omvormer aansluiten

**WAARSCHUWING!**

Sluit altijd **slechts één** verbruiker op de omvormer aan. De aansluiting van twee of meer verbruikers mag alleen door een elektrotechnicus conform de plaatselijke voorschriften m.b.t. de bescherming tegen elektrische schokken gebeuren.

**LET OP!**

- Bij verwisseling van de polen brandt een interne zekering door, die door Dometic service moet worden vervangen. Bovendien kan de elektronica worden beschadigd.
- Neem in acht dat de omvormer alleen met volgende spanning mag worden gebruikt:
  - DSP 212, DSP 412: 12 V $\text{---}$
  - DSP 224, DSP 424: 24 V $\text{---}$

- Sluit de omvormer aan zoals weergegeven:
  - Accu aansluiten: **DSP 212, DSP 224:** afb. **5**, pagina 5  
**DSP 412, DSP 424:** afb. **6**, pagina 5
  - Verbruikers aansluiten: afb. **7**, pagina 6

### Externe schakelaar voor het in- en uitschakelen aansluiten (alleen DSP 412, DSP 424)



#### INSTRUCTIE

De omvormer is ingeschakeld zodra de externe of de hoofdschakelaar (afb. **2** 1, pagina 3) zijn ingeschakeld. Als de besturing alleen via de externe schakelaar moet gebeuren, moet de hoofdschakelaar op de stand „0” worden geschakeld.

- Sluit de externe schakelaar zoals weergegeven aan (afb. **8**, pagina 6).

## 8 Omvormer gebruiken



#### VOORZICHTIG!

Neem bij de aansluiting van verbruikers de geldende bepalingen in acht.

### 8.1 Omvormer inschakelen

- Schakel de omvormer met de hoofdschakelaar (afb. **2** 1, pagina 3) in (stand „I”) ...
- ... of (**alleen DSP 412, DSP 424**) schakel de omvormer met de externe schakelaar in (**optioneel**).
- ✓ De blauw status-led (afb. **2** 2, pagina 3) brandt.
- ✓ De verbruiker wordt voorzien van wisselspanning.

### Toestel met USB-interface opladen



#### INSTRUCTIE

Lees ook de bedieningshandleiding voor het toestel dat u op de USB-aansluiting wilt laden.

- Sluit het toestel zoals weergegeven op de USB-aansluiting aan (afb. **9**, pagina 7).

## 8.2 Bedrijfsindicaties

De blauwe led (afb. **2** 2, pagina 3) geeft de bedrijfstoestand van de omvormer weer.

Indicatie	Ingangsspanning
Continu branden	Normaal bedrijf
Lang knipperen, korte onderbreking	Omvormer oververhit/overbelast
Snel knipperen	Overspanning/onderspanning
Uit	Andere fout

## 9 Omvormer onderhouden en reinigen



### LET OP!

Geen scherpe of harde voorwerpen of reinigingsmiddelen bij het reinigen gebruiken. Dit kan het product beschadigen.

- Reinig het product af en toe met een vochtige doek.

## 10 Verhelpen van storingen



### WAARSCHUWING!

Open het toestel niet. Er bestaat gevaar voor een elektrische schok!



### INSTRUCTIE

Bij gedetailleerde vragen over de **gegevens van de omvormer** kunt u contact opnemen met de fabrikant (adressen, zie achterzijde van de handleiding).

De led (afb. **2** 2, pagina 3) geeft de storing aan:

Led-indicatie	Oorzaak	Oplossing
Snel knipperen	Te hoge ingangsspanning	Controleer de ingangsspanning en verlaag deze.
	Te lage ingangsspanning	De accu moet worden opgeladen. Controleer de leidingen en verbindingen.
Lang branden, korte onderbreking	Thermische overbelasting	Schakel de omvormer en de verbruiker uit. Wacht ca. 5 – 10 minuten en schakel de omvormer zonder verbruiker weer in. Verminder de belasting en zorg voor een betere ventilatie van de omvormer. Schakel daarna de verbruiker weer in.
	Te hoge belasting	Schakel de omvormer uit en verwijder de verbruiker. Schakel de omvormer zonder verbruiker weer in. Als er nu geen te hoge belasting meer wordt aangegeven, is er sprake van kortsluiting bij de verbruiker of was de volledige belasting hoger dan het vermogen dat in het gegevensblad stond. Controleer de leidingen en verbindingen.
Uit	Andere fout	Neem contact op met de klantenservice.

## 11 Garantie

De wettelijke garantieperiode is van toepassing. Als het product defect is, wendt u zich tot het filiaal van de fabrikant in uw land (adressen zie achterkant van de handleiding) of tot uw speciaalzaak.

Voor de afhandeling van de reparatie of garantie dient u de volgende documenten mee te sturen:

- een kopie van de factuur met datum van aankoop,
- reden van de klacht of een beschrijving van de storing.

## 12 Afvoer


► Laat het verpakkingsmateriaal indien mogelijk recycelen.



Als u het product definitief buiten bedrijf stelt, informeer dan bij het dichtstbijzijnde recyclingcentrum of uw speciaalzaak naar de betreffende afvoervoorschriften.

## 13 Technische gegevens

Volgende technische gegevens gelden voor alle omvormers:

Uitgangsspanning:	230 V~ ± 10 %, zuivere sinusgolf (vervorming < 5%)
Uitgangsfrequentie:	50 Hz ± 0,5 Hz
Maximaal rendement:	>90 %
Warmteafvoer:	temperatuur- en lastgestuurde ventilator
Omgevingstemperatuur bedrijf:	0 °C tot +50 °C
Omgevingstemperatuur opslag:	-30 °C tot +70 °C
Luchtvochtigheid:	0 – 95 %, niet-condenserend
Keurmerk/certificaat:	

	DSP212	DSP412	DSP224	DSP424
Art.-nr.:	9600002603 9600003593	9600002541 9600003595	9600002540 9600003594	9600002542 9600003596
Nominale ingangsspanning:	12 V <sup>===</sup>		24 V <sup>===</sup>	
Ingangsspanningsbereik:	10 – 16,5 V <sup>===</sup>		20 – 33 V <sup>===</sup>	
Nominaal vermogen:	150 W	350 W	150 W	350 W
Maximaal vermogen gedurende 1 min:	170 W	400 W	170 W	400 W
Piekvermogen gedurende 1 s:	300 W	700 W	300 W	700 W
Stroomverbruik bij nullast:	<0,6 A	<0,6 A	<0,4 A	<0,4 A
Afmetingen b x l x h:	afb. <b>10</b> , pagina 7			
Gewicht:	1,1 kg	1,2 kg	1,1 kg	1,2 kg



**Veiligheidsinrichtingen**

	<b>12 V</b>	<b>24 V</b>
Ingang:	Onderspanning	
AC-uitgang:	Overspanning, kortsluiting, overbelasting	
Temperatuur:	Uitschakeling	
Bescherming tegen kortsluiting:	ja, lpk	

**Overspanningsbeveiliging**

<b>Toestel</b>	<b>Overspanning</b>	
	<b>Uitschakeling</b>	<b>Herstart</b>
DSP212, DSP412	16,5 V	15,5 V
DSP224, DSP424	33 V	31 V

**Onderspanningsbeveiliging**

<b>Toestel</b>	<b>Onderspanning</b>	
	<b>Uitschakeling</b>	<b>Herstart</b>
DSP212, DSP412	10 V	12 V
DSP224, DSP424	20 V	24 V

De actuele EG-conformiteitsverklaring voor uw apparaat ontvangt u op de desbetreffende productpagina van [dometic.com](http://dometic.com) of direct via de fabrikant (zie achterzijde).

**Læs denne vejledning omhyggeligt igennem før installation og ibrugtagning, og opbevar den. Giv den til brugeren, hvis du giver produktet videre.**

## Indholdsfortegnelse

1	Forklaring af symbolerne .....	115
2	Generelle sikkerhedshenvisninger .....	115
3	Leveringsomfang .....	119
4	Korrekt brug .....	119
5	Teknisk beskrivelse .....	120
6	Montering af inverteren .....	121
7	Tilslutning af inverteren .....	122
8	Anvendelse af inverteren .....	123
9	Vedligeholdelse og rengøring af inverteren .....	124
10	Udbedring af fejl .....	125
11	Garanti .....	126
12	Bortskaffelse .....	126
13	Tekniske data .....	127

# 1 Forklaring af symbolerne

**FARE!**

**Sikkerhedshenvisning:** Manglende overholdelse medfører død eller alvorlig kvæstelse.

**ADVARSEL!**

**Sikkerhedshenvisning:** Manglende overholdelse kan medføre død eller alvorlig kvæstelse.

**VIGTIGT!**

Manglende overholdelse kan medføre materielle skader og begrænse produktets funktion.

**BEMÆRK**

Supplerende informationer om betjening af produktet.

## 2 Generelle sikkerhedshenvisninger

### 2.1 Generel sikkerhed

Producenten påtager sig intet ansvar for skader i følgende tilfælde:

- Monterings- eller tilslutningsfejl
- Beskadigelser på produktet på grund af mekanisk påvirkning og overspænding
- Ændringer på produktet uden udtrykkelig tilladelse fra producenten
- Anvendelse til andre formål end dem, der er beskrevet i vejledningen

Overhold følgende grundlæggende sikkerhedsforanstaltninger ved brug af elektriske apparater for at beskytte mod:

- Elektrisk stød
- Brandfare
- Kvæstelser

## 2.2 Grundlæggende sikkerhed



### FARE!

- Anvend i tilfælde af brand en ildslukker, der er egnet til elektriske apparater.



### ADVARSEL!

- Anvend kun apparatet til det formål, som det er bestemt til.
- Sørg for, at den røde og den sorte klemme **aldrig** berører hinanden.
- Afbryd apparatet fra nettet
  - før rengøring og vedligeholdelse
  - før et sikringsskift
- Hvis du afmonterer apparatet:
  - Løsn alle forbindelser.
  - Kontrollér, at alle ind- og udgange er uden spænding.
- Hvis apparatet eller tilslutningskablet har synlige beskadigelser, må apparatet ikke tages i drift.
- Hvis dette apparats tilslutningskabel beskadiges, skal det udskiftes af producenten, dennes kundeservice eller en lignende kvalificeret person for at undgå farer.
- Reparationer på dette apparat må kun foretages af fagfolk. Ved ukorrekte reparationer kan der opstå betydelige farer.
- Dette apparat kan anvendes af børn over 8 år og derudover af personer med begrænsede fysiske, sanse- eller mentale evner eller uden erfaring og/eller viden, hvis de er under opsyn eller blev instrueret i sikker brug af apparatet og forstår farerne, der følger heraf.
- **El-apparater er ikke legetøj!**  
Opbevar og anvend apparatet uden for børns rækkevidde.
- Børn bør være under opsyn for at sikre, at de ikke leger med apparatet.



### VIGTIGT!

- Sammenlign forud for ibrugtagning spændingsangivelsen på typeskiltet med energiforsyningen, der er til rådighed.
- Sørg for, at andre genstande **ikke** forårsager en kortslutning på apparatets kontakter.
- Træk aldrig stikket ud af stikdåsen med tilslutningskablet.
- Opbevar apparatet på et tørt og køligt sted.

## 2.3 Sikkerhed ved montering af apparatet



### FARE!

- Montér ikke apparatet i områder, hvor der er fare for en gas- eller støvexplosion.



### FORSIGTIG!

- Sørg for, at apparatet står sikkert! Apparatet skal opstilles og fastgøres sikkert, så det ikke kan vælte eller falde ned.



### VIGTIGT!

- Udsæt ikke apparatet for varmekilder (sol, varmeapparater osv.). På den måde undgår du yderligere opvarmning af apparatet.
- Stil apparatet på et tørt sted, der er beskyttet mod stænkvand.

## 2.4 Sikkerhed under elektrisk tilslutning af apparatet



### FARE! Livsfare på grund af elektrisk stød!

- Når der arbejdes på elektriske anlæg, skal det kontrolleres, at der er nogen i nærheden, som kan hjælpe i et nødstilfælde.



### ADVARSEL!

- Tilslut altid kun en forbruger til inverteren. Ved tilslutning af to eller flere forbrugere kan der forekomme en kortslutning.
- Sørg for et tilstrækkeligt ledningstværsnit.
- Træk ledningerne, så de ikke kan blive beskadiget af døre eller motorhjelme. Klemte ledninger kan føre til livsfarlige kvæstelser.



### FORSIGTIG!

- Træk ledningerne, så der ikke er fare for at falde over dem, og en beskadigelse af kablet er udelukket.



### VIGTIGT!

- Anvend tomme rør eller ledningsgennemføringer, når ledninger skal føres gennem pladevægge eller andre vægge med skarpe kanter.
- Træk **ikke** 230 V-netledningen og 12 V-jævnstrømsledningen i den samme kabelkanal (tomme rør)!
- Træk **ikke** ledningerne løst eller med skarpe knæk.

- Fastgør ledningerne godt.
- Træk ikke i ledninger.

## 2.5 Sikkerhed under anvendelse af apparatet



### **FARE! Livsfare på grund af elektrisk stød!**

- Tag aldrig fat i uisolerede ledninger med bare hænder. Dette gælder frem for alt ved tilslutning til vekselstrømnettet.



### **ADVARSEL!**

- Anvend udelukkende apparatet i lukkede, godt ventilerede rum.



### **FORSIGTIG!**

- Anvend **ikke** apparatet
  - i saltholdige, fugtige eller våde omgivelser
  - i nærheden af aggressive dampe
  - i nærheden af brændbare materialer
  - i områder med eksplosionsfare
- Kontrollér før ibrugtagning, at ledningen og stikket er tørre.
- Afbryd altid strømforsyningen ved arbejder på apparatet.
- Vær opmærksom på, at dele af apparatet stadig kan være spændingsførende, når beskyttelsesanordningen (sikring) er blevet udløst.
- Løsn ikke kabler, når apparatet stadig er i drift.



### **VIGTIGT!**

- Tildæk ikke apparatets luftind- og -udgange.
- Sørg for god ventilation.

### 3 Leveringsomfang

Pos. på fig. 1, side 3	Betegnelse
1	Sinus-inverter
2	Holder
3	Fastgørelsesskruer
–	Betjeningsvejledning

### 4 Korrekt brug

**ADVARSEL!**

Inverteren må ikke anvendes i køretøjer, hvor batteriets pluspol er forbundet med chassiset.

Inverterne er beregnet til at omforme jævnspænding til en 230 V-vekselspænding på 50 Hz:

- **12 V $\text{---}$** : DSP212, DSP412
- **24 V $\text{---}$** : DSP224, DSP424

På USB-tilslutningen kan batteridrevne apparater med USB-interface oplades (5 V, 2000 mA).

Dette apparat er udelukkende egnet til anvendelse i køretøjer.

## 5 Teknisk beskrivelse

Inverterne kan anvendes over alt, hvor der findes en DC-tilslutning.

- **12 V<sub>DC</sub>**: DSP 212, DSP 412
- **24 V<sub>DC</sub>**: DSP 224, DSP 424

Udgangsspændingen svarer til almindelig spænding fra stikdåsen (ren sinus-spænding, forvrængningsfaktor < 5 %).

Overhold værdierne for konstant udgangseffekt og spids-udgangseffekt, som de er anført i kapitlet kapitlet „Tekniske data“ på side 127. Apparater, der har et højere effektforbrug, må ikke tilsluttes.



### BEMÆRK

Vær ved tilslutning af apparater med elektrisk drev (f.eks. boremaskine, køleskab osv.) opmærksom på, at disse ofte har brug for en højere effekt, end der er angivet på typeskiltet, når de startes.

Inverteren har forskellige beskyttelsesmekanismer:

- **Overspændingsbeskyttelse:** Inverteren frakobles, hvis spændingsværdien stiger over frakoblingsværdien. Den starter igen, når spændingen falder til genstartsværdien.
- **Underspændingsbeskyttelse:** Inverteren frakobles, hvis spændingsværdien falder under frakoblingsværdien. Den starter igen, når spændingen stiger til genstartsværdien.
- **Overtemperaturbeskyttelse:** Inverteren frakobles, hvis temperaturen i apparatet eller temperaturen på kølelegemet stiger over en frakoblingsværdi. Den starter igen, når spændingen stiger til genstartsværdien.
- **Overbelastningsbeskyttelse og beskyttelse mod kortslutning:** Lysdioden på inverteren melder en driftsmelding, når der er tilsluttet en for stor belastning, eller hvis der er en kortslutning.



### BEMÆRK

De enkelte koblingsværdier findes i kapitlet „Tekniske data“ på side 127.



## 5.1 Betjeningslementer

Pos. på fig. <b>2</b> , side 3	Beskrivelse
1	Hovedafbryder: Tænder og slukker apparatet
2	Statuslysdioder: Se kapitlet „Driftsvisninger“ på side 124

## 5.2 Tilslutninger



### BEMÆRK

Versionen for Kontinentaleuropa vises.

Pos. på fig. <b>2</b> , side 3	Beskrivelse
3	USB-tilslutning
4	Vekselstrømsstikdåse
5	Jævnstrømshanstik
6	Ventilator (bagside)
7	<b>Kun DSP412, DSP424:</b> Tilslutning til ekstern kontakt

# 6 Montering af inverteren

## 6.1 Monteringshenvisninger

Vær opmærksom på følgende henvisninger ved valg af monteringssted:

- Inverteren kan både monteres horisontalt og vertikalt.
- Inverteren skal monteres på et sted, der er beskyttet mod fugt.
- Inverteren må ikke monteres i omgivelser med antændelige materialer.
- Inverteren må ikke monteres i støvholdige omgivelser.
- Monteringsstedet skal være godt ventileret. Ved installation i lukkede, små rum skal der findes ventilation og udluftning. Den fri minimumafstand omkring inverteren skal mindst være på 5 cm (fig. **3**, side 4).

- Luftindgangen på undersiden og luftudgangen på bagsiden af inverteren skal forblive fri.
- Ved udenomstemperaturer, der er højere end 40 °C (f.eks. i motor- eller fyrringsrum, direkte sollys), reduceres inverterens maksimale udgangseffekt. Derved kan der forekomme frakobling af inverteren på grund af overbelastning.
- Monteringsfladen skal være plan og tilstrækkeligt fast.

**VIGTIGT!**

Før du borer, skal du kontrollere, at elektriske kabler eller andre dele på køretøjet ikke beskadiges, når der bores, saves eller files.

## 6.2 Montering af inverteren

- Montér inverteren som vist (fig. **4**, side 4).

# 7 Tilslutning af inverteren

**ADVARSEL!**

Tilslut altid **kun en** forbruger til inverteren. Tilslutningen af to eller flere forbrugere må kun foretages af en elektriker under hensyntagen til de lokale bestemmelser for at beskytte mod elektrisk stød.

**VIGTIGT!**

- Ved forkert polforbindelse springer en intern sikring, der skal udskiftes af Dometic Service. Derudover kan der forekomme beskadigelse af elektronikken.
- Vær opmærksom på, at inverteren kun må anvendes med følgende spænding:
  - DSP212, DSP412: 12 V $\text{---}$
  - DSP224, DSP424: 24 V $\text{---}$

- Tilslut inverteren som vist på:
  - Tilslutning af batteriet:
    - DSP212, DSP224:** fig. **5**, side 5
    - DSP412, DSP424:** fig. **6**, side 5
  - Tilslutning af forbrugere: fig. **7**, side 6

## Tilslutning af ekstern kontakt til til- og frakobling (kun DSP412, DSP424)



### BEMÆRK

Inverteren er tilkoblet, så snart den eksterne afbryder eller hovedafbryderen (fig. **2** 1, side 3) er tændt. Hvis styringen kun skal foretages via den eksterne kontakt, skal hovedafbryderen stilles på stilling „0”.

- ▶ Tænd den eksterne kontakt som vist (fig. **8**, side 6).

## 8 Anvendelse af inverteren



### FORSIGTIG!

Overhold de gældende bestemmelser ved tilslutningen af forbrugere.

### 8.1 Tilkobling af inverteren

- ▶ Tænd inverteren med hovedafbryderen (fig. **2** 1, side 3) (stilling „I”) ...
- ▶ ... eller (**kun DSP412, DSP424**) tænd inverteren med den eksterne kontakt (**option**).
- ✓ Den blå statuslysdioder (fig. **2** 2, side 3) lyser.
- ✓ Forbrugeren forsynes med vekselspænding.

### Opladning af apparatet med USB-interface



### BEMÆRK

Læs betjeningsvejledningen til apparatet, som du ønsker at oplade på USB-tilslutningen.

- ▶ Forbind apparatet med USB-tilslutningen som vist (fig. **9**, side 7).

## 8.2 Driftsvisninger

Den blå lysdioden (fig. 2, side 3) viser inverterens driftstilstand.

Visning	Indgangsspænding
Lyser konstant	Normal drift
Blinker længe, kort afbrydelse	Inverter overophedet/overbelastning
Blinker hurtigt	Overspænding/underspænding
Fra	Anden fejl

## 9 Vedligeholdelse og rengøring af inverteren



### VIGTIGT!

Anvend ikke skarpe eller hårde genstande eller rengøringsmidler til rengøring, da det kan beskadige produktet.

- Rengør af og til produktet med en fugtig klud.

## 10 Udbedring af fejl



### ADVARSEL!

Åbn ikke apparatet. Du udsætter dig selv for fare for elektrisk stød!



### BEMÆRK

Kontakt producenten i forbindelse med detaljerede spørgsmål om **inverterens data** (adresse, se vejledningens bagside).

Lysdioden (fig. **2** 2, side 3) viser fejlen:

Lysdiodevisning	Årsag	Udbedring
Blinker hurtigt	For høj indgangsspænding	Kontrollér indgangsspændingen, og reducér den.
	For lav indgangsspænding	Batteriet skal oplades. Kontrollér ledningerne og forbindelserne.
Lyser længe, kort afbrydelse	Termisk overbelastning	Sluk inverteren og forbrugeren. Vent ca. 5 – 10 minutter, og tænd inverteren igen uden forbruger. Reducér belastningen, og sørg for en bedre ventilation af inverteren. Tænd derefter forbrugeren igen.
	For kraftig belastning	Sluk inverteren, og fjern forbrugeren. Tænd derefter inverteren uden forbruger igen. Hvis der nu ikke længere vises for kraftig belastning, foreligger der en kortslutning på forbrugeren, eller den samlede belastning var højere end effekten, der er anført i databladet. Kontrollér ledningerne og forbindelserne.
Fra	Anden fejl	Kontakt kundeserviceafdelingen.

## 11 Garanti

Den lovbestemte garantiperiode gælder. Hvis produktet er defekt, skal du kontakte producentens afdeling i dit land (adresser, se vejledningens bagside) eller din forhandler.

Ved reparation eller krav om garanti skal du medsende følgende bilag:

- En kopi af regningen med købsdato
- En reklamationsgrund eller en fejlbeskrivelse

## 12 Bortskaffelse


► Bortskaf så vidt muligt emballagen sammen med det tilsvarende genbrugsaffald.



Hvis du tager produktet endegyldigt ud af drift, skal du kontakte det nærmeste recyclingcenter eller din faghandel for at få de pågældende forskrifter om bortskaffelse.

## 13 Tekniske data

Følgende tekniske data gælder for alle invertere:

Udgangsspænding:	230 V~ ± 10 %, ren sinusbølge (forvrængningsfaktor < 5 %)
Udgangsfrekvens:	50 Hz ± 0,5 Hz
Maksimal virkningsgrad:	>90 %
Varmeafgivelse:	Temperatur- og belastningsstyret ventilator
Udenomstemperatur drift:	0 °C til +50 °C
Udenomstemperatur opbevaring:	-30 °C til +70 °C
Luftfugtighed:	0 – 95 %, ikke-kondenserende
Godkendelse/certifikat:	

	DSP212	DSP412	DSP224	DSP424
Art.nr.:	9600002603 9600003593	9600002541 9600003595	9600002540 9600003594	9600002542 9600003596
Nominel indgangsspænding:	12 V <sup>===</sup>		24 V <sup>===</sup>	
Indgangsspændingsområde:	10 – 16,5 V <sup>===</sup>		20 – 33 V <sup>===</sup>	
Nominel effekt:	150 W	350 W	150 W	350 W
Maksimal effekt i 1 min.:	170 W	400 W	170 W	400 W
Maksimumeffekt i 1 sek.:	300 W	700 W	300 W	700 W
Tomgangsstrømforbrug:	<0,6 A	<0,6 A	<0,4 A	<0,4 A
Mål B x L x H:	fig. <b>10</b> , side 7			
Vægt:	1,1 kg	1,2 kg	1,1 kg	1,2 kg

**Beskyttelsesordninger**

	12 V	24 V
Indgang:	Underspænding	
AC-udgang:	Overspænding, kortslutning, overbelastning	
Temperatur:	Frakobling	
Kortslutningsbeskyttelse:	ja, IpK	

**Overspændingsbeskyttelse**

Apparat	Overspænding	
	Frakobling	Genstart
DSP212, DSP412	16,5 V	15,5 V
DSP224, DSP424	33 V	31 V

**Underspændingsbeskyttelse**

Apparat	Underspænding	
	Frakobling	Genstart
DSP212, DSP412	10 V	12 V
DSP224, DSP424	20 V	24 V

Den aktuelle EU-overensstemmelseserklæring for dit apparat får du på den pågældende produktside på [dometic.com](http://dometic.com) eller direkte hos producenten (se bagsiden).



**Läs igenom anvisningarna noga innan produkten monteras och används. Spara monterings- och bruksanvisningen för senare bruk. Överlämna bruksanvisningen till den nya ägaren vid ev. vidareförsäljning.**

## Innehållsförteckning

1	Förklaring av symboler .....	130
2	Allmänna säkerhetsanvisningar .....	130
3	Leveransomfattning. ....	134
4	Ändamålsenlig användning .....	134
5	Teknisk beskrivning. ....	135
6	Montera växelriktaren .....	136
7	Ansluta växelriktaren .....	137
8	Använda växelriktaren. ....	138
9	Skötsel och rengöring av växelriktaren .....	139
10	Felsökning .....	140
11	Garanti .....	141
12	Avfallshantering. ....	141
13	Tekniska data. ....	142

# 1 Förklaring av symboler

**FARA!**

**Observera:** Beaktas anvisningen ej leder det till dödsfara eller svåra skador.

**VARNING!**

**Observera:** Beaktas anvisningen ej kan det leda till dödsfara eller svåra skador.

**OBSERVERA!**

Om anvisningarna inte beaktas kan det leda till materialskador och produktens funktion kan påverkas negativt.

**ANVISNING**

Kompletterande information om användning av produkten.

## 2 Allmänna säkerhetsanvisningar

### 2.1 Allmän säkerhet

Tillverkaren övertar inget ansvar för skador i följande fall:

- monterings- eller anslutningsfel
- skador på produkten, orsakade av mekanisk påverkan eller överspänning
- ändringar som utförts utan uttryckligt medgivande från tillverkaren
- ej ändamålsenlig användning

Observera nedanstående, grundläggande säkerhetsanvisningar för elapparater för att förhindra:

- Elektriska stötar
- Brandfara
- Skador

## 2.2 Allmän säkerhet



### FARA!

- Vid brand, använd en brandsläckare som är lämplig för elektriska apparater.



### VARNING!

- Apparaten får endast användas ändamålsenligt.
- Den röda och svarta klämman får **aldrig** vidröra varandra.
- Koppla bort apparaten från elnätet
  - före rengöring och underhåll
  - före byte av säkring
- Om apparaten demonteras:
  - Lossa alla anslutningar.
  - Säkerställ att alla in- och utgångar är fria från spänning.
- Om apparaten eller anslutningskabeln uppvisar synliga skador får apparaten ej tas i drift.
- Om apparatens anslutningskabel skadas måste den bytas ut av tillverkarens kundtjänst eller andra personer som är kvalificerade för liknande arbeten, för att onödiga risker ska undvikas.
- Denna apparat får endast repareras av härför utbildad personal. Icke fackmässiga reparationer kan leda till att allvarliga faror uppstår.
- Denna apparat kan användas av barn från 8 år samt personer med fysiska, sensoriska eller mentala funktionshinder eller oerfarenhet och/eller ovetande under uppsikt av en ansvarig person eller om de har undervisats hur apparaten används på ett säkert sätt utan att faror uppstår.
- **Elapparater är inga leksaker!**  
Förvara och använd apparaten utom räckhåll för barn.
- Barn bör hållas under uppsikt, så att de inte leker med apparaten.



### OBSERVERA!

- Jämför spänningsinformationen på typskylten med spänningen på ditt uttag innan apparaten tas i drift.
- Se till att andra föremål **inte** orsakar en kortslutning på apparaten.
- Dra aldrig i sladden när du ska dra ut kontakten ur uttaget.
- Förvara apparaten på en torr och sval plats.

## 2.3 Säkerhet vid montering av apparaten



### FARA!

- Montera inte apparaten i områden där det finns risk för gas- eller dammexplosion.



### AKTA!

- Se till att apparaten står stadigt!  
Apparaten måste ställas upp och fästas så att den inte kan välta eller falla ner.



### OBSERVERA!

- Apparaten får inte komma nära en värmekälla (direkt solljus, element, o.s.v.). På så sätt undviks att apparaten blir ännu varmare.
- Ställ apparaten på en torr och stänkvattenskyddad plats.

## 2.4 Säkerhet vid elektrisk anslutning av apparaten



### FARA! Livsfara p.g.a. elektriska stötar!

- När du arbetar på elektriska anläggningar, säkerställ att någon annan är i närheten som kan hjälpa dig i nödfall.



### VARNING!

- Anslut alltid endast en förbrukare till växelriktaren. Om två eller flera förbrukare ansluts kan det leda till kortslutning.
- Se till att kabelarean är tillräcklig.
- Dra ledningarna så att de inte kan skadas av dörrar eller motorhuvar. Klämda kablar kan leda till livsfarliga skador.



### AKTA!

- Dra ledningarna så att ingen kan snubbla över dem och så att ledningarna inte kan skadas



### OBSERVERA!

- Använd tomma rör eller kabelkanaler när ledningarna dras genom plåtväggar eller andra väggar med vassa kanter.
- Lägg **inte** 230 V-nätledningen och 12 V-likströmsledningen i samma kabelkanal (tomt rör).
- Lägg **inte** ledningarna löst eller så att de knäckas eller brytas.
- Fäst ledningarna ordentligt.
- Dra inte i ledningarna.

## 2.5 Säkerhet vid drift av apparaten



### **FARA! Livsfara p.g.a. elektriska stötar!**

- Vidrör inte ledningarna med bara händer. Detta gäller särskilt vid drift med växelström.



### **WARNING!**

- Använd apparaten endast i slutna och väl ventilerade utrymmen.



### **AKTA!**

- Använd **inte** apparaten
  - i salthaltiga, fuktiga eller blöta omgivningar
  - i närheten av aggressiva ångor
  - i närheten av brännbara material
  - i explosionsfarliga omgivningar
- Kontrollera före idrifttagningen att ledningarna och kontakten är torra.
- Koppla alltid bort strömförsörjningen före arbeten på apparaten.
- Observera att även om säkringen löser ut kan delar av apparaten fortfarande leda spänning.
- Lossa ingen kabel om apparaten fortfarande är i drift.



### **OBSERVERA!**

- Se till att ventilationen (in och ut) inte täcks över.
- Se till att ventilationen är god.

### 3 Leveransomfattning

Pos. på bild 1, sida 3	Beteckning
1	Sinusväxelriktare
2	Hållare
3	Fästsruvar
-	Bruksanvisning

### 4 Ändamålsenlig användning

**WARNING!**

Växelriktaren får inte användas på fordon där batteriets pluspol är kopplad till chassit.

Växelriktarna används för att omvandla likspänning till 230 V växelspanning med 50 Hz:

- **12 V**: DSP212, DSP412
- **24 V**: DSP224, DSP424

USB-anslutningen kan användas för att ladda upp batteridrivna produkter med USB-gränssnitt (5 V, 2 000 mA).

Denna apparat får endast användas i fordon.

## 5 Teknisk beskrivning

Växelriktarna kan användas överallt där det finns en DC-anslutning.

- **12 V<sub>DC</sub>**: DSP 212, DSP 412
- **24 V<sub>DC</sub>**: DSP 224, DSP 424

Utgångsspänningen motsvarar hushållsspänningen ur normala uttag (ren sinus-spänning, klirrfaktor < 5%).

Beakta uppgifterna om konstant uteffekt och högsta uteffekt så som de beskrivs i kapitlet kapitel "Tekniska data" på sidan 142. Apparater med större effektbehov får inte anslutas.



### ANVISNING

Beakta att eldrivna apparater (t.ex. bormaskiner, kylskåp etc) ofta har större effektbehov under startfasen än vad som anges på typskylten.

Växelriktarna har olika skyddsmekanismer:

- **Överspänningsskydd:** Växelriktaren stängs av när spänningsvärdet överstiger avstängningsvärdet. Den startar igen när värdet sjunker till omstartvärdet.
- **Underspänningsskydd:** Växelriktaren stängs av när spänningsvärdet sjunker under avstängningsvärdet. Den startar igen när värdet sjunker till omstartvärdet.
- **Övertemperaturskydd:** Växelriktaren stängs av om temperaturen i en apparat eller temperaturen på kylelementet överstiger avstängningsvärdet. Den startar igen när värdet sjunker till omstartvärdet.
- **Överbelastningsskydd och skydd mot kortslutning:** Lysdioden på växelriktaren indikerar driffel när en för stor last är ansluten eller om en kortslutning uppstod.



### ANVISNING

De olika kopplingsvärdena finns i kapitel "Tekniska data" på sidan 142.

## 5.1 Reglage

Pos. på bild <b>2</b> , sida 3	Beskrivning
1	Huvudbrytare: Slår på och av apparaten
2	Statuslysdiod: Se kapitel "Lysdioder" på sidan 139

## 5.2 Anslutningar



### ANVISNING

På bilden visas versionen för Kontinentaleuropa.

Pos. på bild <b>2</b> , sida 3	Beskrivning
3	USB-anslutning
4	Växelströmsuttag
5	Likströmskontakt
6	Fläkt (baksida)
7	<b>Endast DSP412, DSP424:</b> Anslutning för extern brytare

# 6 Montera växelriktaren

## 6.1 Monteringsanvisningar

Beakta följande anvisningar vid monteringen:

- Växelriktaren kan monteras horisontellt eller vertikalt.
- Växelriktaren måste monteras på ett ställe som är skyddat mot fukt.
- Växelriktaren får inte monteras i närheten av användbart material.
- Växelriktaren får inte monteras i dammiga omgivningar.
- Monteringsstället måste ha god ventilation. Vid installation i slutna utrymmen måste man se till att det finns god ventilation (till- och frånluft). Runt omkring växelriktaren måste det finnas minst 5 cm fritt utrymme (bild **3**, sida 4).



- Ventilationsöppningarna på växelriktarens undersida och baksida får inte täckas över.
- Om omgivningstemperaturen är högre än 40 °C (t.ex. i motor-/maskinrum eller pannrum, direkt solljus) minskar växelriktarens maximala utgångseffekt. Det kan leda till att växelriktaren stängs av på grund av överbelastning.
- Montera apparaten på en jämn och stabil yta.

**OBSERVERA!**

Innan borringar görs: kontrollera att inga elkablar eller andra delar kan skadas genom borring, sågning eller filning.

## 6.2 Montera växelriktaren

- Montera växelriktaren enligt illustrationen (bild **4**, sida 4).

# 7 Ansluta växelriktaren

**VARNING!**

Anslut alltid **endast en** förbrukare till växelriktaren. Endast en utbildad elektriker får ansluta två eller fler förbrukare. Vid anslutningen måste de lokala bestämmelserna gällande skydd mot elektriska stötar följas.

**OBSERVERA!**

- Vid omvänd polaritet går en intern säkring sönder, som måste bytas ut av Dometic Service. Dessutom riskerar elektroniken att skadas.
- Växelriktaren får endast anslutas till följande spänning:
  - DSP212, DSP412: 12 V $\text{---}$
  - DSP224, DSP424: 24 V $\text{---}$

- Anslut växelriktaren så som det visas på bilden:
  - Anslut batteriet:
    - DSP212, DSP224:** bild **5**, sida 5
    - DSP412, DSP424:** bild **6**, sida 5
  - Ansluta förbrukare: bild **7**, sida 6

## Ansluta en extern strömbrytare för påslagning och avstängning (endast DSP412, DSP424)



### ANVISNING

Växelriktaren är påslagen när den externa brytaren eller huvudbrytaren (bild **2** 1, sida 3) är påslagen. Om endast den externa brytaren ska användas för styrningen måste huvudbrytaren ställas i läget "0".

- Anslut den externa brytaren som det visas på bilden (bild **8**, sida 6).

## 8 Använda växelriktaren



### AKTA!

Observera de gällande bestämmelserna vid anslutningen av förbrukare.

### 8.1 Slå på växelriktaren

- Slå på växelriktaren med huvudbrytaren (bild **2** 1, sida 3) (läge "1") ...
- ... eller (**endast DSP412, DSP424**) slå på växelriktaren med den externa strömbrytaren (**tillval**).
- ✓ Den blå statuslysdioden (bild **2** 2, sida 3) tänds.
- ✓ Förbrukaren förses med växelspanning.

### Ladda upp apparat med USB-gränssnitt



### ANVISNING

Se även apparatens bruksanvisning om apparaten kan laddas upp med ett USB-uttag.

- Anslut apparaten till USB-uttaget som det visas på bilden (bild **9**, sida 7).

## 8.2 Lysdioder

Den blå lysdioden (bild **2** 2, sida 3) indikerar växelriktarens driftläge.

Lysdiod	Ingångsspänning
Lyser konstant	Normal drift
Blinkar långsamt, kort paus	Växelriktaren överhettad/överbelastning
Blinkar snabbt	Överspänning/underspänning
Av	Annat fel

## 9 Skötsel och rengöring av växelriktaren



### **OBSERVERA!**

Använd inga vassa eller hårda föremål för rengöring, använd inga skarpa rengöringsmedel; produkten kan skadas.

- Rengör produkten då och då med en fuktig trasa.

## 10 Felsökning



### VARNING!

Öppna inte apparaten. Risk för strömstötar!



### ANVISNING

Kontakta tillverkaren (adress på handbokens baksida) om du önskar detaljerad information om **växelriktarens data**.

Lysdioden (bild **2** 2, sida 3) visar felet:

Lysdiod	Orsak	Åtgärd
Blinkar snabbt	För hög ingångsspänning	Kontrollera ingångsspänningen, sänk den.
	För låg ingångsspänning	Batteriet måste laddas. Kontrollera kablarna och anslutningarna.
Lyser länge, kort paus	Termisk överbelastning	Stäng av växelriktaren och förbrukaren. Vänta ca 5 – 10 minuter och slå på växelriktaren utan förbrukare igen. Minska belastningen och förbättra växelriktarens ventilation. Slå på förbrukaren igen.
	För stor belastning	Stäng av växelriktaren och ta bort förbrukaren. Slå på växelriktaren utan förbrukare. Om det nu inte indikeras för hög belastning längre finns det en kortslutning i förbrukaren, eller den totala belastningen var större än värdet som anges i databladet. Kontrollera kablarna och anslutningarna.
Av	Annat fel	Kontakta kundtjänst.

## 11 Garanti

Den lagstadgade garantitiden gäller. Om produkten är defekt: kontakta tillverkarens kontor i ditt land (adresser, se bruksanvisningens baksida) eller återförsäljaren.

Vid reparations- resp. garantiärenden ska följande skickas med:

- en kopia på fakturan med inköpsdatum,
- en reklameringsbeskrivning/felbeskrivning.

## 12 Avfallshantering


► Lämna om möjligt förpackningsmaterialet till återvinning.



När produkten slutgiltigt tas ur bruk: informera dig om gällande bestämmelser hos närmaste återvinningscentral eller hos återförsäljaren.

## 13 Tekniska data

Följande tekniska data gäller för alla växelriktare:

Utgångsspänning:	230 V~ ± 10 %, ren sinusspänning (klirrfaktor < 5%)
Utgångsfrekvens:	50 Hz ± 0,5 Hz
Maximal verkningsgrad:	>90 %
Värmeavledning:	Temperatur- och laststyrd fläkt
Omgivningstemperatur vid drift:	0 °C till +50 °C
Omgivningstemperatur vid förvaring:	-30 °C till +70 °C
Luftfuktighet:	0 – 95 %, ej kondenserande
Provning/certifikat:	

	DSP212	DSP412	DSP224	DSP424
Art.nr:	9600002603 9600003593	9600002541 9600003595	9600002540 9600003594	9600002542 9600003596
Nominell ingångsspänning:	12 V <sub>DC</sub>		24 V <sub>DC</sub>	
Ingångsspänning:	10 – 16,5 V <sub>DC</sub>		20 – 33 V <sub>DC</sub>	
Märkeffekt:	150 W	350 W	150 W	350 W
Max. effekt för 1 min:	170 W	400 W	170 W	400 W
Toppeffekt för 1 sek:	300 W	700 W	300 W	700 W
Strömförbrukning, tomgång:	<0,6 A	<0,6 A	<0,4 A	<0,4 A
Mått B x L x H:	bild <b>10</b> , sida 7			
Vikt:	1,1 kg	1,2 kg	1,1 kg	1,2 kg

**Skyddsanordningar**

	<b>12 V</b>	<b>24 V</b>
Ingång:	Underspänning	
AC-utgång:	Överspänning, kortslutning, överbelastning	
Temperatur:	Avstängning	
Kortslutningsskydd:	Ja, IpK	

**Överspänningsskydd**

<b>Apparat</b>	<b>Överspänning</b>	
	<b>Avstängning</b>	<b>Omstart</b>
DSP212, DSP412	16,5 V	15,5 V
DSP224, DSP424	33 V	31 V

**Underspänningsskydd**

<b>Apparat</b>	<b>Underspänning</b>	
	<b>Avstängning</b>	<b>Omstart</b>
DSP212, DSP412	10 V	12 V
DSP224, DSP424	20 V	24 V

Aktuell EU-försäkran om överensstämmelse för maskinen kan erhållas från respektive produktsida på [dometic.com](http://dometic.com) eller direkt via tillverkaren (se baksida).

**Les bruksanvisningen nøye før du monterer og tar apparatet i bruk, og ta vare på den. Hvis produktet selges videre, må du sørge for å gi bruksanvisningen videre også.**

## Innholdsfortegnelse

1	Symbolforklaring . . . . .	145
2	Generelle sikkerhetsregler . . . . .	145
3	Leveringsomfang . . . . .	148
4	Forskriftsmessig bruk . . . . .	149
5	Teknisk beskrivelse . . . . .	149
6	Montere vekselretter . . . . .	151
7	Koble til vekselretteren . . . . .	152
8	Bruk av vekselretteren . . . . .	152
9	Stell og rengjøring av vekselretteren . . . . .	153
10	Feilsøking . . . . .	154
11	Garanti . . . . .	155
12	Avfallsbehandling . . . . .	155
13	Tekniske data . . . . .	156



# 1 Symbolforklaring

**FARE!**

**Sikkerhetsregel:** Hvis man ikke overholder denne regelen, fører det til død eller alvorlig skade.

**ADVARSEL!**

**Sikkerhetsregel:** Hvis man ikke overholder denne regelen, kan det føre til død eller alvorlig skade.

**PASS PÅ!**

Hvis man ikke overholder denne regelen, kan det føre til materielle skader og skade funksjonen til produktet.

**MERK**

Utfyllende informasjon om bruk av produktet.

## 2 Generelle sikkerhetsregler

### 2.1 Generell sikkerhet

Produsenten tar i følgende tilfeller intet ansvar for skader:

- Montasje- eller tilkoblingsfeil
- Skader på produktet på grunn av mekanisk påvirkning og overspenninger
- Endringer på produktet uten at det er gitt uttrykkelig godkjenning av produsenten
- Bruk til andre formål enn det som er beskrevet i veiledningen

Overhold følgende grunnleggende sikkerhetsregler ved bruk av elektriske apparater for å beskytte mot:

- Elektrisk støt
- Brannfare
- Skader

## 2.2 Grunnleggende sikkerhet



### FARE!

- Bruk i tilfelle brann et brannslukningsapparat som er egnet for elektriske apparater.



### ADVARSEL!

- Bruk apparatet kun til det det er beregnet for.
- Pass på at du **ikke** berører den røde og den svarte klemmen.
- Koble apparatet fra strømmettet.
  - før rengjøring og stell
  - før bytting av sikring
- Hvis du demonterer apparatet:
  - Løsne alle forbindelsene.
  - Forsikre deg om at alle inn- og utganger er spenningsfrie.
- Hvis apparatet eller tilkoblingskabelen har synlige skader, må det ikke brukes.
- Hvis tilkoblingskabelen på dette apparatet blir skadet, må den erstatte av produsent, kundeservice eller annen kvalifisert person for å unngå farlige situasjoner.
- Reparasjoner på dette apparatet må kun utføres av fagfolk. Feil reparasjoner kan føre til betydelige skader.
- Dette apparatet kan brukes av barn fra 8 år og oppover, og av personer med nedsatte fysiske, sensoriske eller mentale evner eller manglende erfaring og/eller kunnskap, når de er under oppsikt eller har fått opplæring i sikker bruk av apparatet og hvilke farer som er forbundet med det.
- **Elektriske apparater er ikke beregnet for barn!**  
Oppbevar og bruk apparatet utenfor barns rekkevidde.
- Barn skal være under tilsyn for å sikre at de ikke leker med apparatet.



### PASS PÅ!

- Før igangsetting må du sammenligne spenningsspesifikasjonene på merkeskiltet med tilgjengelig strømtilførsel.
- Påse at andre gjenstander **ikke** forårsaker kortslutning på kontaktene til apparatet.
- Trekk aldri støpslet ut av stikkontakten etter ledningen.
- Lagre apparatet på et tørt og kjølig sted.

## 2.3 Sikkerhet ved montering av apparatet



### FARE!

- Ikke monter apparatet på steder hvor det er fare for gass- eller støveksplisjon.



### FORSIKTIG!

- Pass på at det står stødig!  
Apparatet må stå stødig og festes slik at det ikke kan velte eller falle ned.



### PASS PÅ!

- Utsett ikke apparatet for varmekilder (solstråling, oppvarming osv.). Unngå ekstra oppvarming av apparatet.
- Sett apparatet på et tørt sted som ikke er utsatt for vannsprut.

## 2.4 Sikkerhet ved elektrisk tilkobling av apparatet



### FARE! Livsfare ved strømstøt!

- Når du arbeider på elektriske anlegg, forsikre deg om at det er noen i nærheten som kan hjelpe deg i et nødstilfelle.



### ADVARSEL!

- Koble alltid bare én forbruker til vekselretteren. Tilkobling av to eller flere forbrukere kan føre til kortslutning.
- Sørg for tilstrekkelig ledningstverrsnitt.
- Legg ledningene slik at de ikke skades av dører eller motorpanser. Kabler i klem kan føre til livsfarlige skader.



### FORSIKTIG!

- Legg ledningene slik at man ikke snubler i dem og slik at man unngår å skade kabelen.



### PASS PÅ!

- Bruk tomme rør eller ledningsgjennomføringer når ledninger må føres gjennom platevegger eller andre vegger med skarpe kanter.
- Legg **ikke** 230 V nettleddningen og 12 V likestrømsledningen sammen i den samme kabelkanalen (tomt rør).
- Legg **ikke** ledningene løst eller med skarpe bøyser.
- Fest ledningene godt.
- Ikke trekk i ledninger.

## 2.5 Sikkerhet ved bruk av apparatet



### FARE! Livsfare ved strømstøt!

- Ta ikke i bare ledninger med bare hender. Dette gjelder spesielt ved drift fra vekselstrømnettet.



### ADVARSEL!

- Bruk apparatet kun i lukkede, godt ventilerte rom.



### FORSIKTIG!

- Bruk **ikke** apparatet
  - På saltholdige, fuktige eller våte steder
  - I nærheten av aggressive damper
  - I nærheten av brennbare materialer
  - Der det er eksplosjonsfare.
- Før du tar apparatet i bruk, må du passe på at ledningen og støpslet er tørre.
- Ved arbeid på apparatet må man alltid avbryte strømforsyningen.
- Vær oppmerksom på at deler av apparatet fortsatt er under spenning også etter at beskyttelsesanordningen (sikring) er utløst.
- Ikke løsne noen kabler mens apparatet fortsatt er i drift.



### PASS PÅ!

- Pass på at lufteåpningene på apparatet ikke blir blokkert.
- Pass på at du har god lufting.

## 3 Leveringsomfang

Pos. i fig. 1, side 3	Betegnelse
1	Sinusveksleretter
2	Holder
3	Festeskruer
–	Bruksanvisning

## 4 Forskriftsmessig bruk



### ADVARSEL!

Vekselretteren må ikke brukes på kjøretøyer hvor plusspolen til batteriet er koblet til sjassiet.

Vekselretterne omformer likespenning til en 230 V vekselspenning på 50 Hz:

- **12 V<sub>DC</sub>**: DSP 212, DSP 412
- **24 V<sub>DC</sub>**: DSP 224, DSP 424

USB-tilkoblingen kan brukes til opplading av apparater som har et USB-grensesnitt (5 V, 2000 mA).

Dette apparatet er kun egnet for bruk i kjøretøy.

## 5 Teknisk beskrivelse

Vekselretterne kan brukes overalt hvor det er likestrømskontakt.

- **12 V<sub>DC</sub>**: DSP 212, DSP 412
- **24 V<sub>DC</sub>**: DSP 224, DSP 424

Utgangsspenningen tilsvarer vanlig spenning fra stikkkontakten (ren sinuspenning, forvrengning < 5%).

Overhold verdiene for kontinuerlig utgangseffekt og topp-utgangseffekt slik de er angitt i kapittelet kapittel «Tekniske data» på side 156. Apparater som har et større effektbehov, må ikke kobles til.



### MERK

Ved tilkobling av apparater med elektrisk starter (f.eks. bormaskiner, kjøleskap osv.) må man være oppmerksom på at disse trenger høyere effekt for å starte enn det som er angitt på typeskiltet.

Vekselretteren har forskjellige beskyttelsesmekanismer:

- **Overspenningsvern:** Vekselretteren slås av når spenningsverdien stiger over utkoblingsverdien. Den starter igjen når spenningen på nystart-verdien synker.
- **Underspenningsvern:** Vekselretteren slås av når spenningsverdien synker under utkoblingsverdien. Den starter igjen når spenningen på nystart-verdien stiger.
- **Overtemperaturvern:** Vekselretteren slås av når temperaturen inne i apparatet eller temperaturen på kjøleelementet stiger over en utkoblingsverdi. Den starter igjen når spenningen på nystart-verdien stiger.
- **Overbelastningsvern og kortslutningsvern:** LED-en på vekselretteren melder fra om en driftssvikt hvis det er koblet til en for stor last eller det har oppstått en kortslutning.



### MERK

Du finner de enkelte koblingsverdiene i kapittel «Tekniske data» på side 156.

## 5.1 Betjeningselementer

Pos. i fig. <b>2</b> , side 3	Beskrivelse
1	Hovedbryter: Slår apparatet av og på
2	Status-LED: Se kapittel «Varsellamper» på side 153

## 5.2 Kontakter



### MERK

Illustrasjonen viser versjonen for det europeiske kontinentet.

Pos. i fig. <b>2</b> , side 3	Beskrivelse
3	USB-tilkobling
4	Vekselstrømsstikkontakt
5	Likestrømplugg
6	Vifte (bakside)
7	<b>Bare DSP412, DSP424:</b> kontakt for eksternt bryter

## 6 Montere vekselretter

### 6.1 Råd for montering

Pass på følgende ved valg av monteringssted:

- Montering av vekselretteren kan foretas enten horisontalt eller vertikalt.
- Vekselretteren må monteres på et sted som er beskyttet mot fuktighet.
- Vekselretteren må ikke brukes i omgivelser hvor det er lettantennelige materialer.
- Vekselretteren må ikke brukes i støvete omgivelser.
- Monteringsstedet må være godt luftet. Ved installasjon i lukkede rom, må man sørge for skikkelig lufting. Det må være et fritt område rundt vekselretteren på minst 5 cm (fig. **3**, side 4).
- Luftinnløpet på undersiden eller luftutløpet på baksiden av vekselretteren må være frie.
- Ved omgivelsestemperaturer som er høyere enn 40 °C (f.eks. i motor- eller varmerom, direkte sollys), reduseres den maksimale utgangseffekten til vekselretteren. Det kan føre til at vekselretteren kobles ut på grunn av overbelastning.
- Montasjeflaten må være plan og sterk nok.



#### **PASS PÅ!**

Før du borer noe som helst, må du forsikre deg om at ingen elektriske kabler eller andre deler på kjøretøyet kan skades av boring, saging og filing.

### 6.2 Montering av vekselretteren

- Monter vekselretteren som vist (fig. **4**, side 4).

## 7 Koble til vekselretteren



### ADVARSEL!

Koble alltid **bare én** forbruker til vekselretteren. Tilkobling av to eller flere forbrukere må bare utføres av en fagelektriker i samsvar med de lokale bestemmelsene om beskyttelse mot elektrisk støt.



### PASS PÅ!

- Ved feil polaritet brenner en intern sikring gjennom og må skiftes av Domestic Service. I tillegg kan elektronikken bli skadet.
- Ta hensyn til at vekselretteren kun må brukes med følgende spenning:
  - DSP212, DSP412: 12 V $\overline{=}$
  - DSP224, DSP424: 24 V $\overline{=}$

- Tilkoble vekselretteren som vist:
  - Tilkoble batteri:  
**DSP212, DSP224:** fig. **5**, side 5  
**DSP412, DSP424:** fig. **6**, side 5
  - Koble til forbruker: fig. **7**, side 6

### Koble til ekstern bryter for inn- og utkobling (bare DSP412, DSP424)



### MERK

Vekselretteren er på når den eksterne bryteren eller hovedbrytere (fig. **2** 1, side 3) er koblet inn. Hvis styringen bare skal utføres via den eksterne bryteren, må hovedbryteren settes i stillingen «0».

- Koble til den eksterne bryteren som vist (fig. **8**, side 6).

## 8 Bruk av vekselretteren



### FORSIKTIG!

Følg de gjeldende bestemmelsene ved tilkobling av forbrukere.

### 8.1 Slå på vekselretteren

- Slå på vekselretteren med hovedbryteren (fig. **2** 1, side 3) på apparatet (posisjon «I») ...



- ... eller (**bare DSP412, DSP424**) slå på vekselretteren med den eksterne bryteren (**ekstraustyr**).
- ✓ Den blå status-LED-en (fig. **2** 2, side 3) lyser.
- ✓ Forbrukeren forsynes med vekselspanning.

### Lad opp apparater med USB-grensesnitt



#### MERK

Overhold også bruksanvisningen til apparatet som du vil lade opp via USB-porten.

- Koble apparatet til USB-porten som vist (fig. **9**, side 7).

## 8.2 Varsellamper

Den blå LED-en (fig. **2** 2, side 3) viser driftsstatusen til vekselretteren.

Indikering	Inngangsspenning
Lyser kontinuerlig	Normal drift
Lang blinking, kort pause	Vekselretter overopphetet/overbelastning
Hurtig blinking	Overspenning/underspenning
Av	Andre feil

## 9 Stell og rengjøring av vekselretteren



#### PASS PÅ!

Bruk ikke skarpe eller harde gjenstander eller rengjøringsmidler til rengjøring, da det kan skade produktet.

- Rengjør produktet regelmessig med en fuktig klut.

## 10 Feilsøking



### ADVARSEL!

Åpne ikke apparatet. Du kan få elektrisk støt!



### MERK

Ved detaljerte spørsmål om **data** for **vekselretteren** kan du ta kontakt med produsenten (adressen finner du på baksiden av veiledningen).

LED-en (fig. **2** 2, side 3) indikerer feilen:

Lysdiode-indikering	Årsak	Tiltak
Hurtig blinking	For høy inngangsspenning	Kontroller inngangsspenningen og reduser denne.
	For lav inngangsspenning	Batteriet må etterlades. Kontroller ledningene og forbindelsene.
Lyser en lang stund, kort pause	Termisk overbelastning	Slå av vekselretteren og forbrukeren. Vent ca. 5 – 10 min og slå på vekselretteren igjen uten forbrukere. Reduser belastningen og sørg for bedre lufting av vekselretteren. Slå på forbrukeren igjen.
	For høy belastning	Slå av vekselretteren og fjern forbrukeren. Slå på vekselretteren uten forbruker igjen. Hvis for høy belastning ikke indikeres lenger nå, er det kortslutning på forbrukeren eller den totale belastningen var høyere enn effekten som var spesifisert i databladet. Kontroller ledningene og forbindelsene.
Av	Andre feil	Ta kontakt med kundeservice.

## 11 Garanti

Lovmessig garantitid gjelder. Hvis produktet skulle være defekt, kontakter du produsentens filial i ditt land (du finner adressene på baksiden av veiledningen) eller til din faghandler.

Ved henvendelser vedrørende reparasjon eller garanti, må du sende med følgende dokumentasjon:

- kopi av kvitteringen med kjøpsdato,
- årsak til reklamasjonen eller beskrivelse av feilen.

## 12 Avfallsbehandling


► Lever emballasje til resirkulering så langt det er mulig.



Når du tar produktet ut av drift for siste gang, må du sørge for å få informasjon om deponeringsforskrifter hos nærmeste resirkuleringsstasjon eller hos din faghandler.

## 13 Tekniske data

Følgende tekniske data gjelder for alle vekselrettere:

Utgangsspennning:	230 V~ ± 10 %, ren sinusurve (forvrengning < 5%)
Utgangsfrekvens:	50 Hz ± 0,5 Hz
Maksimal virkningsgrad:	> 90 %
Varmeavgang:	temperatur- og belastningsstyrt ventilator
Omgivelsestemperatur drift:	0 °C til +50 °C
Omgivelsestemperatur lagring:	-30 °C til +70 °C
Luftfuktighet:	0 – 95 %, ikke kondenserende
Test/sertifikat:	

	DSP212	DSP412	DSP224	DSP424
Art.nr.:	9600002603 9600003593	9600002541 9600003595	9600002540 9600003594	9600002542 9600003596
Nominell inngangsspennning:	12 V?		24 V?	
Inngangsspenningsområde:	10 – 16,5 V <sub>===</sub>		20 – 33 V <sub>===</sub>	
Nominell effekt:	150 W	350 W	150 W	350 W
Maks. effekt i 1 min:	170 W	400 W	170 W	400 W
Støteffekt i 1 sek:	300 W	700 W	300 W	700 W
Tomgangsstrømforbruk:	< 0,6 A	< 0,6 A	< 0,4 A	< 0,4 A
Mål B x L x H:	fig. <b>10</b> , side 7			
Vekt:	1,1 kg	1,2 kg	1,1 kg	1,2 kg

**Beskyttelsesinnretninger**

	12 V	24 V
Inngang:	Underspenning	
Vekselstrømsutgang:	Overspenning, kortslutning, overbelastning	
Temperatur:	Utkobling	
Kortslutningsvern:	ja, lpk	

**Overspenningsvern**

Apparat	Overspenning	
	Utkobling	Ny start
DSP212, DSP412	16,5 V	15,5 V
DSP224, DSP424	33 V	31 V

**Underspenningsvern**

Apparat	Underspenning	
	Utkobling	Ny start
DSP212, DSP412	10 V	12 V
DSP224, DSP424	20 V	24 V

Den aktuelle EU-konformitetserklæringen for ditt apparat får du på den respektive produktsiden på [dometic.com](http://dometic.com) eller direkte via produsenten (se baksiden).

**Lue tämä ohje huolellisesti läpi ennen asennusta ja käyttöönottoa ja säilytä ohje hyvin. Jos myyt tuotteen eteenpäin, anna ohje tällöin edelleen uudelle käyttäjälle.**

## Sisällysluettelo

1	Symbolien selitykset . . . . .	159
2	Yleisiä turvallisuusohjeita . . . . .	159
3	Toimituskokonaisuus. . . . .	163
4	Tarkoituksenmukainen käyttö . . . . .	163
5	Tekninen kuvaus . . . . .	164
6	Invertterin asentaminen . . . . .	165
7	Invertterin liittäminen . . . . .	166
8	Invertterin käyttäminen . . . . .	167
9	Invertterin hoito ja puhdistus . . . . .	168
10	Vianetsintä . . . . .	169
11	Tuotevastuu. . . . .	170
12	Hävittäminen . . . . .	170
13	Tekniset tiedot. . . . .	171

# 1 Symbolien selitykset

**VAARA!**

**Turvallisuusohje:** Huomiotta jättäminen aiheuttaa hengenvaaran tai vakavan loukkaantumisen.

**VAROITUS!**

**Turvallisuusohje:** Huomiotta jättäminen voi aiheuttaa hengenvaaran tai vakavan loukkaantumisen.

**HUOMAUTUS!**

Huomiotta jättäminen voi johtaa materiaalivaurioihin ja haitata tuotteen toimintaa.

**OHJE**

Tuotteen käyttöä koskevia lisätietoja.

## 2 Yleisiä turvallisuusohjeita

### 2.1 Yleinen turvallisuus

Valmistaja ei ota mitään vastuuta vahingoista seuraavissa tapauksissa:

- asennus- tai liitännävirheet
- tuotteeseen mekaanisen vaikutuksen tai ylijännitteiden takia syntyneet vauriot
- tuotteeseen ilman valmistajan nimenomaista lupaa tehdyt muutokset
- käyttö muuhun kuin käyttöohjeessa ilmoitettuun tarkoitukseen

Noudata seuraavia perustavia turvatoimenpiteitä käyttäessäsi sähköllä toimivia laitteita. Tämä suojelee sinua:

- sähköiskulta
- palovaaralta
- loukkaantumiselta

## 2.2 Perusturvallisuus



### VAARA!

- Käytä tulipalon sattuessa palonsammutinta, joka sopii sähkölaitteiden sammuttamiseen.



### VAROITUS!

- Käytä laitetta ainoastaan sen määräysten mukaiseen tarkoitukseen.
- Pidä huoli, ettei punaiset ja mustat liittimet **koskaan** kosketa toisiaan.
- Irrota laite verkosta
  - ennen jokaista puhdistusta tai huoltoa
  - ennen sulakkeen vaihtamista
- Jos irrotat laitteen:
  - Irrota kaikki liitännät.
  - Varmista, että kaikki tulot ja lähdöt ovat jännitteettömiä.
- Laitetta ei saa ottaa käyttöön, jos laitteessa tai sen liitintäjohtoissa on näkyviä vaurioita.
- Jos tämän laitteen liitintäjohto vaurioituu, tulee valmistajan tai valtuutetun asiakaspalvelun tai vastaavasti pätevän henkilön vaihtaa se vaaran välttämiseksi.
- Ainoastaan ammattilaiset saavat korjata tätä laitetta. Epäasianmukaisista korjauksista saattaa aiheutua huomattavia vaaroja.
- 8-vuotiaat tai sitä vanhemmat lapset sekä henkilöt, joiden fyysiset, sensoriset tai psyykkiset kyvyt ovat rajoittuneita tai jotka ovat kokemattomia ja/tai tietämättömiä, voivat käyttää tätä laitetta valvonnan alaisina tai kun heille on opetettu laitteen turvallinen käyttö ja he ovat ymmärtäneet siitä aiheutuvat vaarat.
- **Sähkölaitteet eivät ole lasten leluja!**  
Säilytä ja käytä laitetta lasten ulottumattomissa.
- Lapsia tulee valvoa sen varmistamiseksi, etteivät he leiki laitteella.



### HUOMAUTUS!

- Vertaa tyyppikilven jännitetietoja käytettävissä olevaan energiansyöttöön ennen käyttöön ottamista.
- Huolehdi siitä, että mitkään esineet **eivät** aiheuta oikosukua laitteen kontakteihin.
- Älä ota pistoketta koskaan pois pistorasiasta johdosta vetämällä.
- Säilytä laitetta kuivassa ja viileässä paikassa.



## 2.3 Turvallisuus laitteen asentamisen yhteydessä



### VAARA!

- Älä asenna laitetta paikkoihin, joissa on olemassa kaasu- tai pölyräjähdysten vaara.



### HUOMIO!

- Huomaa tukeva seisonta!  
Laitte täytyy sijoittaa ja kiinnittää niin vakaasti, että se ei voi kaatua tai pudota.



### HUOMAUTUS!

- Älä aseta laitetta alttiiksi millekään lämpölähteelle (auringonpaiste, lämmitys jne.). Vältä näin laitteen lisälämpenemistä.
- Aseta laite kuivaan ja roiskevedeltä suojattuun paikkaan.

## 2.4 Turvallisuus laitteen sähköliittämisessä



### VAARA! Sähköiskusta johtuva hengenvaara!

- Kun työskentelet sähköisten laitteiden kanssa, varmista, että joku on avuntarpeen tullen lähellä.



### VAROITUS!

- Liitä invertteriin aina vain yksi sähkölaite. Jos liität kaksi tai useamman sähkölaitteen, voi seurauksena olla oikosulku.
- Huolehdi siitä, että johtojen poikkipinta-ala on riittävä.
- Vedä johtimet siten, että ovet tai konepellit eivät voi vahingoittaa niitä. Rusentuneet johdot voivat johtaa hengenvaarallisiin vammoihin.



### HUOMIO!

- Vedä johtimet siten, että niihin ei voi kompastua ja että johdon vaurioitumisen mahdollisuus on pois suljettu.



### HUOMAUTUS!

- Käytä putkia tai läpivientiholkkeja, jos johtimia täytyy vetää peltiseinien tai muiden teräväreunaisten seinien läpi.
- **Älä** aseta 230 V -verkkojohtoa ja 12 V -tasavirtajohtoa samaan johtokanavaan (putkitus).
- Johtimia **ei** saa asettaa löysälle tai teräville taitteille.
- Kiinnitä johtimet hyvin.
- Älä kisko johtimista.

## 2.5 Laitteen käyttöturvallisuus



### **VAARA! Sähköiskusta johtuva hengenvaara!**

- Älä kosketa avojohtimia koskaan paljain käsin. Tämä koskee ennen kaikkea vaihtovirtaverkkokäyttöä.



### **VAROITUS!**

- Käytä laitetta ainoastaan suljetuissa, hyvin tuuletetuissa tiloissa.



### **HUOMIO!**

- Laitetta **ei** saa käyttää
  - suolapitoisessa, kosteassa tai märässä ympäristössä.
  - aggressiivisten höyryjen lähellä
  - palavien materiaalien lähellä
  - räjähdysvaarallisilla alueilla.
- Huolehdi ennen laitteen käyttöönottoa siitä, että johto ja pistoke ovat kuivia.
- Katkaise virransyöttö aina laitetta koskevien töiden ajaksi.
- Huomaa, että osa laitteesta voi jäädä jännitteiseksi myös suojalaitteiston (sulake) laukeamisen jälkeen.
- Älä irrota mitään johtoja, kun laite on vielä toiminnassa.



### **HUOMAUTUS!**

- Huolehdi siitä, että laitteen ilmantulo- ja -poistoaukkoja ei peitetä.
- Huolehdi hyvästä tuuletuksesta.

### 3 Toimituskokonaisuus

Kohta – kuva <b>1</b> , sivulla 3	Nimitys
1	Sini-invertteri
2	Pidike
3	Kiinnitysruuvit
–	Käyttöohje

### 4 Tarkoituksenmukainen käyttö



#### **VAROITUS!**

Invertteriä ei saa käyttää ajoneuvoissa, joiden akun plus-napa on yhdistetty runkoon.

Inverttereitä käytetään tasajännitteen muuntamiseen 230 V -vaihtojännitteeksi, jonka taajuus on 50 Hz:

- **12 V<sup>DC</sup>**: DSP 212, DSP 412
- **24 V<sup>DC</sup>**: DSP 224, DSP 424

USB-liitännän avulla voidaan ladata akulla toimivia laitteita, joissa on USB-liitin (5 V, 2000 mA).

Tämä laite on tarkoitettu käytettäväksi ainostaan ajoneuvoissa.

## 5 Tekninen kuvaus

Inverttereitä voidaan käyttää kaikkialla, missä on DC-tasavirtaliitäntä.

- **12 V<sub>DC</sub>**: DSP 212, DSP 412
- **24 V<sub>DC</sub>**: DSP 224, DSP 424

Lähtöjännite vastaa kotitalouksien pistorasian jännitettä (puhdas sinimuotoinen jännite, särökerroin < 5%).

Ole hyvä ja noudata jatkuvaa lähtötehoa ja huippulähtötehoa koskevia arvoja, jotka ilmoitetaan kappaleessa kap. "Tekniset tiedot" sivulla 171. Laitteeseen ei saa liittää laitteita, joiden tehontarve on tätä suurempi.



### OHJE

Huomaa moottoroituja sähkölaitteita liittäessäsi (esim. porakone, jääkaappi jne.), että nämä tarvitsevat käynnistyäkseen usein suuremman tehon kuin mitä tyyppikilvessä ilmoitetaan.

Invertterissä on erilaisia suojamekanismeja:

- **Ylijännitesuoja:** Invertteri kytkeytyy pois päältä, jos jännitearvo kohoaa katkaisuarvoa suuremmaksi. Se käynnistyy jälleen, kun jännite laskee uudelleenkäynnistysarvoon.
- **Alijännitesuoja:** Invertteri kytkeytyy pois päältä, jos jännitearvo laskee katkaisuarvoa alemmaksi. Se käynnistyy jälleen, kun jännite nousee uudelleenkäynnistysarvoon.
- **Ylikuumentumissuoja:** Invertteri kytkeytyy pois päältä, jos lämpötila laitteen sisällä tai jäähdytyselementin lämpötila kohoaa yli katkaisuarvon. Se käynnistyy jälleen, kun jännite nousee uudelleenkäynnistysarvoon.
- **Ylikuormitussuoja ja oikosulkusuoja:** Invertterin LED ilmaisee toimintahäiriön, jos liitetty kuorma on liian suuri tai on syntynyt oikosulku.



### OHJE

Yksittäiset kytkentäarvot löytyvät kohdasta kap. "Tekniset tiedot" sivulla 171.

## 5.1 Käyttölaitteet

Kohta – kuva <b>2</b> , sivulla 3	Kuvaus
1	Pääkytkin: Kytkee laitteen päälle ja pois
2	Tila-LED: Katso kap. "Toimintailmaisimet" sivulla 168

## 5.2 Liitännät



### OHJE

Kuvassa on nähtävissä Manner-Eurooppaan tarkoitettu versio.

Kohta – kuva <b>2</b> , sivulla 3	Kuvaus
3	USB-portti
4	Vaihtovirtapistorasias
5	Tasavirtapistoke
6	Tuuletin (takapuoli)
7	<b>Vain DSP412, DSP424:</b> Liitännät ulkoisille kytkimille

# 6 Invertterin asentaminen

## 6.1 Asennusohjeita

Noudata asennuspaikkaa valitessasi seuraavia ohjeita:

- Invertteri voidaan asentaa sekä pystysuoraan että vaakasuoraan.
- Invertteri täytyy asentaa kosteudelta suojattuun paikkaan.
- Invertteriä ei saa asentaa ympäristöön, jossa on syttyviä materiaaleja.
- Invertteriä ei saa asentaa pölyiseen ympäristöön.
- Sijoituspaikassa pitää olla hyvä tuuletus. Asennettaessa laite pieneen suljettuun tilaan siinä pitää olla ilmanvaihtoaukot tulo- ja poistoilmalle. Invertterin ympärillä täytyy olla vähintään 5 cm vapaata tilaa (kuva **3**, sivulla 4).
- Invertterin alapuolella olevan ilmanoton ja takapuolella olevan ilmanpoiston täytyy olla vapaita.

- Yli 40 °C:een ympäristölämpötiloissa (esim. moottori- tai lämmitystiloissa, suora auringonpaiste) invertterin maksimilähtöteho pienenee. Ylikuormitus voi sammuttaa invertterin.
- Asennuspinnan täytyy olla tasainen ja kyllin luja.

**HUOMAUTUS!**

Ennen kuin teet mitään reikiä, varmista, että poraaminen, sahaaminen tai viilaaminen ei vahingoita sähköjohtoja tai ajoneuvon muita osia.

## 6.2 Invertterin asentaminen

- Asenna invertteri esitetyllä tavalla (kuva **4**, sivulla 4).

## 7 Invertterin liittäminen

**VAROITUS!**

Liitä invertteriin aina **vain yksi** sähkölaite. Kahden tai useamman sähkölaitteen liittäminen vaatii aina asennuksen sähköalan ammattilaisen kautta paikallisten määräysten mukaisesti sähköiskun välttämiseksi.

**HUOMAUTUS!**

- Väärä napaisuus aiheuttaa sulakkeen palamisen. Vaihtaminen tapahtuu aina Dometic-huollon kautta. Lisäksi elektroniikka voi vaurioitua.
- Huomaa, että invertteriä saa käyttää vain seuraavalla jännitteellä:
  - DSP212, DSP412: 12 V $\overline{=}$
  - DSP224, DSP424: 24 V $\overline{=}$

- Liitä invertteri esitetyllä tavalla:
  - Akun liittäminen:
    - DSP212, DSP224:** kuva **5**, sivulla 5
    - DSP412, DSP424:** kuva **6**, sivulla 5
  - Sähkölaitteiden liittäminen: kuva **7**, sivulla 6

## Erillisen kytkimen liittäminen päälle- ja poiskytkemistä varten (vain DSP412, DSP424)



### OHJE

Invertteri on kytketty päälle, kun erillinen kytkin tai pääkytkin (kuva **2** 1, sivulla 3) on kytketty päälle. Jos ohjaus tapahtuu ainoastaan erillisestä kytkimestä, on pääkytkin asetettava asentoon "0".

- ▶ Liitä erillinen kytkin esitetyllä tavalla (kuva **8**, sivulla 6).

## 8 Invertterin käyttäminen



### HUOMIO!

Huomioi voimassa olevat määräykset, kun liität sähkölaitteita.

### 8.1 Invertterin päälle kytkeminen

- ▶ Kytke invertteri pääkytkimellä (kuva **2** 1, sivulla 3) päälle (asento "I").
- ▶ ... tai (**vain DSP412, DSP424**) kytke invertteri erillisellä kytkimellä (**valinnainen**).
- ✓ Sininen tila-LED (kuva **2** 2, sivulla 3) loistaa.
- ✓ Sähkölaite saa vaihtojännitettä.

### Laitteen lataaminen USB-liitännässä



### OHJE

Noudata myös sen laitteesi käyttöohjetta, jota haluat ladata USB-liitännän avulla.

- ▶ Yhdistä laite USB-liitännänsä esitetyllä tavalla (kuva **9**, sivulla 7).

## 8.2 Toimintailmaisimet

Sininen LED (kuva **2** 2, sivulla 3) ilmaisee invertterin toimintatilan.

Näyttö	Tulojännite
Loistaa jatkuvasti	Normaalikäyttö
Pitkä vilkku, ei katkoa	Invertteri ylikuumentunut/ylikuorma
Nopea vilkku	Ylijännite/alijännite
Pois	Muu virhe

## 9 Invertterin hoito ja puhdistus



### HUOMAUTUS!

Puhdistukseen ei saa käyttää teräviä tai kovia välineitä eikä puhdistusaineita, koska tämä voi johtaa tuotteen vahingoittumiseen.

- Puhdista tuote toisinaan ulkopuolelta kostealla liinalla.



## 10 Vianetsintä



### VAROITUS!

Älä avaa laitetta. Siitä aiheutuu sinulle sähköiskuvaara!



### OHJE

Käännä valmistajan puoleen, jos sinulla on **invertterin tietoja** koskevia yksityiskohtaisia kysymyksiä (osoitteet käyttöohjeen takasivulla).

LED (kuva **2**, sivulla 3) osoittaa virheen:

LED-näyttö	Syy	Poistaminen
Nopea vilkku	Liian korkea tulojännite	Tarkista tulojännite ja pienennä sitä.
	Liian matala tulojännite	Akku täytyy ladata uudelleen. Tarkasta johtimet ja liitännät.
Pitkä palaminen, lyhyt katkos	Terminen ylikuormitus	Kytke invertteri ja sähkölaite pois päältä. Odotat n. 5 – 10 minuuttia ja kytke invertteri jälleen päälle ilman liitettyä sähkölaitetta. Vähennä kuormitusta ja huolehdi invertterin paremmasta tuuleutuksesta. Kytke sitten sähkölaite jälleen päälle.
	Liian suuri kuormitus	Kytke invertteri pois päältä ja poista siihen liitetty sähkölaite. Kytke invertteri jälleen päälle ilman sähkölaitekuormaa. Jos liian suurta kuormitusta ei enää ilmaista, liitettynä olleessa sähkölaitteessa on oikosulku tai kokonaiskuormitus oli suurempi kuin tietolehtisessä määriteltä teho. Tarkasta johtimet ja liitännät.
Pois	Muu virhe	Käännä asiakaspalvelun puoleen.

## 11 Tuotevastuu

Laitetta koskee lakisääteinen takuu-aika. Jos tuote sattuu olemaan viallinen, käänny maasi valmistajan toimipisteen puoleen (osoitteet käyttöohjeen takasivulla) tai ota yhteyttä omaan ammattikauppiaseesi.

Korjaus- ja takuukäsittelyä varten lähetä mukana seuraavat asiakirjat:

- kopio ostolaskusta, jossa näkyy ostopäivä,
- valitusperuste tai vikakuvaus.

## 12 Hävittäminen




- Vie pakkausmateriaali mahdollisuuksien mukaan vastaavan kierrätysjätteen joukkoon.



Jos poistat tuotteen lopullisesti käytöstä, pyydä tietoa sen hävittämistä koskevista määräyksistä lähimmästä kierrätyskeskuksesta tai ammattiliikkeestäsi.

## 13 Tekniset tiedot

Seuraavat tekniset tiedot koskevat kaikkia inverttereitä:

Lähtöjännite:	230 V~ ± 10 %, puhdas siniaalto (säädökerroin < 5%)
Lähtötaajuus:	50 Hz ± 0,5 Hz
Enimmäishyötysuhde:	>90 %
Lämmönpoisto:	lämpötila- ja kuormaohjattu tuuletin
Ympäristön lämpötila, käyttö:	0 °C ... +50 °C
Ympäristön lämpötila, varastointi:	-30 °C ... +70 °C
Ilmankosteus:	0 – 95 %, ei-tiivistyvä
Tarkastus/sertifikaatti:	  

	<b>DSP212</b>	<b>DSP412</b>	<b>DSP224</b>	<b>DSP424</b>
Tuotenro:	9600002603 9600003593	9600002541 9600003595	9600002540 9600003594	9600002542 9600003596
Nimellinen tulojännite:	12 V <sub>DC</sub>		24 V <sub>DC</sub>	
Tulojännitealue:	10 – 16,5 V <sub>DC</sub>		20 – 33 V <sub>DC</sub>	
Nimellisteho:	150 W	350 W	150 W	350 W
Maksimiteho 1 min:	170 W	400 W	170 W	400 W
Tehohuippu 1 s:	300 W	700 W	300 W	700 W
Lepovirrankulutus:	<0,6 A	<0,6 A	<0,4 A	<0,4 A
Mitat L x P x K:	kuva <b>10</b> , sivulla 7			
Paino:	1,1 kg	1,2 kg	1,1 kg	1,2 kg

**Suojalaitteistot**

	12 V	24 V
Tulo:	Alijännite	
AC-lähtö:	alijännite, oikosulku, ylikuorma	
Lämpötila:	Katkaisu	
Oikosulkusuojaus:	kyllä, lpk	

**Ylijännitesuoja**

Laite	Ylijännite	
	Katkaisu	Uudelleenkäynnistys
DSP212, DSP412	16,5 V	15,5 V
DSP224, DSP424	33 V	31 V

**Alijännitesuoja**

Laite	Alijännite	
	Katkaisu	Uudelleenkäynnistys
DSP212, DSP412	10 V	12 V
DSP224, DSP424	20 V	24 V

Laitteesi voimassa olevan EU-vaatimustenmukaisuusvakuutuksen saat kyseisen tuotteen sivulta osoitteesta [dometic.com](http://dometic.com) tai suoraan valmistajalta (ks. taustapuoli).

**Прочтите данную инструкцию перед монтажом и вводом в эксплуатацию и сохраните ее. В случае передачи продукта передайте инструкцию следующему пользователю.**

## Оглавление

1	Пояснение к символам . . . . .	174
2	Общие указания по технике безопасности. . . . .	174
3	Комплект поставки . . . . .	178
4	Использование по назначению . . . . .	178
5	Техническое описание . . . . .	179
6	Монтаж инвертора. . . . .	180
7	Подключение инвертора . . . . .	181
8	Использование инвертора . . . . .	182
9	Уход и очистка инвертора. . . . .	183
10	Устранение неисправностей . . . . .	184
11	Гарантия . . . . .	185
12	Утилизация . . . . .	185
13	Технические характеристики . . . . .	186

# 1 Пояснение к символам



## **ОПАСНОСТЬ!**

**Указания по технике безопасности:** Несоблюдение ведет к смертельному исходу или тяжелым травмам.



## **ПРЕДУПРЕЖДЕНИЕ!**

**Указания по технике безопасности:** Несоблюдение может привести к смертельному исходу или тяжелым травмам.



## **ВНИМАНИЕ!**

Несоблюдение может привести к повреждениям и нарушить работу продукта.



## **УКАЗАНИЕ**

Дополнительная информация по управлению продуктом.

## 2 Общие указания по технике безопасности

### 2.1 Общая безопасность

Изготовитель не несет никакой ответственности за ущерб в следующих случаях:

- Ошибки монтажа или подключения
- Повреждения продукта из-за механических воздействий и перенапряжений
- Изменения в продукте, выполненные без однозначного разрешения изготовителя
- Использование в целях, отличных от указанных в данной инструкции

Соблюдайте следующие основные предписания по технике безопасности при пользовании электроприборами для защиты от:

- поражения электрическим током
- опасности возникновения пожара
- травм

## 2.2 Основные указания по технике безопасности



### ОПАСНОСТЬ!

- В случае пожара используйте огнетушитель, пригодный для тушения электрооборудования.



### ПРЕДУПРЕЖДЕНИЕ!

- Используйте прибор только по назначению.
- Следите за тем, чтобы **не** соприкасались красный и черный зажимы.
- Отсоединяйте прибор от сети
  - перед каждой чисткой и уходом
  - перед заменой предохранителя
- Если Вы демонтируете прибор:
  - Отсоедините все соединения.
  - Убедитесь в том, что все входы и выходы обесточены.
- Запрещается вводить прибор в работу, если он или соединительный кабель имеют видимые повреждения.
- В случае повреждения питающего кабеля данного прибора он - во избежание опасностей - должен быть заменен изготовителем, сервисным центром или имеющим аналогичную квалификацию персоналом.
- Ремонт данного прибора разрешается выполнять только специалистам. Неправильно выполненный ремонт может приводить к серьезным опасностям.
- Этот прибор может использоваться детьми с 8-ми лет и старше, а также лицами с ограниченными физическими, сенсорными и умственными способностями или при недостатке необходимого опыта и/или знаний только под присмотром или после прохождения инструктажа по безопасному использованию прибора, если они поняли опасности, которые при этом могут возникнуть.
- **Электроприборы не являются детскими игрушками!**  
Поэтому храните и используйте прибор в недоступном для детей месте.
- За детьми необходимо постоянно следить, чтобы не допустить их игры с прибором.

**ВНИМАНИЕ!**

- Перед вводом в эксплуатацию сравните значения напряжения, указанные на заводской табличке, с характеристиками имеющегося источника питания.
- Следите за тем, чтобы другие предметы **не** вызывали короткого замыкания на контактах прибора.
- Не вытаскивайте штекер из розетки за питающий кабель.
- Храните прибор в сухом, прохладном месте.

## 2.3 Техника безопасности при монтаже прибора

**ОПАСНОСТЬ!**

- Не устанавливайте прибор в зонах, в которых имеется опасность взрыва газа или пыли.

**ОСТОРОЖНО!**

- Обеспечивайте надежность расположения!  
Прибор должен быть установлен и закреплен таким образом, чтобы он не мог опрокинуться или упасть.

**ВНИМАНИЕ!**

- Не эксплуатируйте прибор вблизи источников тепла (солнечных лучей, радиаторов отопления и т. п.). Не допускайте дополнительного нагрева прибора.
- Установите прибор в сухом, защищенном от брызг месте.

## 2.4 Техника безопасности при присоединении прибора к электрической сети

**ОПАСНОСТЬ! Опасность для жизни из-за поражения электрическим током!**

- При работах на электрооборудовании убедитесь в том, что вблизи находятся люди, которые в экстренном случае могут оказать Вам помощь.

**ПРЕДУПРЕЖДЕНИЕ!**

- Разрешается присоединять к инвертору только одного потребителя. Присоединение двух или более потребителей может привести к короткому замыканию.
- Обеспечивайте достаточное поперечное сечение проводов.



- Прокладывайте провода так, чтобы исключить их повреждение дверями или капотом.  
Зажатые кабели могут приводить к опасным для жизни травмам.



### **ОСТОРОЖНО!**

- Прокладывайте провода так, чтобы исключить опасность спотыкания и повреждения кабеля.



### **ВНИМАНИЕ!**

- Если необходимо провести электрические провода через металлические стенки или иные стенки с острыми краями, то используйте металлорукава или кабельные вводы.
- **Не** прокладывайте сетевой кабель 230 В и провод 12 В постоянного тока совместно с одним и тем же кабельным канале (металлорукаве).
- **Не** прокладывайте провода незакрепленными или сильно изогнутыми.
- Обеспечивайте надежное крепление проводов.
- Не тяните за провода.

## **2.5 Техника безопасности при работе прибора**



### **ОПАСНОСТЬ! Опасность для жизни из-за поражения электрическим током!**

- Не беритесь голыми руками за оголенные провода. Это прежде всего касается работы от сети переменного тока.



### **ПРЕДУПРЕЖДЕНИЕ!**

- Используйте прибор только в закрытых, хорошо проветриваемых помещениях.



### **ОСТОРОЖНО!**

- **Не** эксплуатируйте прибор
  - в условиях высокой влажности и высокого содержания соли в воздухе
  - вблизи источников агрессивных паров
  - вблизи горючих материалов
  - во взрывоопасных зонах
- Перед вводом в эксплуатацию убедитесь в том, что питающий кабель и штекер сухие.
- При работах на приборе всегда прерывайте электропитание.

- Учтите, что даже после срабатывания защитного устройства (предохранителя) части прибора могут оставаться под напряжением.
- Не отсоединяйте кабели, если прибор еще находится в работе.



### ВНИМАНИЕ!

- Следите за тем, чтобы не перекрывались отверстия входа и выхода воздуха.
- Обеспечивайте хорошую вентиляцию.

## 3 Комплект поставки

Поз. на рис. <b>1</b> , стр. 3	Наименование
1	Синусоидальный инвертор
2	Держатель
3	Крепежные винты
–	Инструкция по эксплуатации

## 4 Использование по назначению



### ПРЕДУПРЕЖДЕНИЕ!

Запрещается использовать инвертор в автомобилях, у которых положительный полюс аккумуляторной батареи соединен с шасси.

Инверторы служат для преобразования постоянного напряжения в переменное напряжение 230 В с частотой 50 Гц:

- **12 В**: DSP 212, DSP 412
- **24 В**: DSP 224, DSP 424

Приборы с USB-разъемом (5 В, 2000 мА), работающие от аккумулятора, могут заряжаться через USB.

Данный прибор предназначен для использования исключительно в автомобилях.

## 5 Техническое описание

Инвертор может работать в любом месте, где имеется разъем постоянного тока.

- **12 В**---: DSP 212, DSP 412
- **24 В**---: DSP 224, DSP 424

Выходное напряжение соответствует бытовому напряжению из розетки (чистое синусоидальное напряжение, суммарный КНИ < 5 %).

Необходимо учитывать значения длительной выходной мощности и пиковой выходной мощности, указанные в гл. «Технические характеристики» на стр. 186. Запрещается присоединять приборы, имеющие большую потребляемую мощность.



### УКАЗАНИЕ

При подключении приборов с электроприводом (например, дрели, холодильника и т. п.) необходимо учитывать, что им часто для пуска требуется больше мощности, чем указано на заводской табличке.

Инвертор имеет различные защитные механизмы:

- **Защита от повышенного напряжения:** Инвертор отключается, если величина напряжения превышает значение отключения. Он включается снова, как только напряжение падает ниже значения перезапуска.
- **Защита от пониженного напряжения:** Инвертор отключается, если величина напряжения падает ниже значение отключения. Он включается снова, как только напряжение достигает значения перезапуска.
- **Защита от перегрева:** Инвертор отключается, если температура внутри прибора или температура на радиаторе превышает значение отключения. Он включается снова, как только напряжение достигает значения перезапуска.
- **Защита от перегрузки и защита от короткого замыкания:** Непрерывный красный свет светодиодного индикатора на инверторе свидетельствует о сбое (присоединена слишком большая нагрузка или возникло короткое замыкание).



### УКАЗАНИЕ

Отдельные значения переключения указаны в гл. «Технические характеристики» на стр. 186.

## 5.1 Элементы управления

Поз. на рис. <b>2</b> , стр. 3	Описание
1	Главный выключатель: Включает и выключает прибор
2	Светодиодный индикатор состояния: См. гл. «Рабочие индикаторы» на стр. 183

## 5.2 Разъемы



### УКАЗАНИЕ

Изображена версия для континентальной Европы.

Поз. на рис. <b>2</b> , стр. 3	Описание
3	USB-порт
4	Розетка переменного тока
5	Штекер постоянного тока
6	Вентилятор (обратная сторона)
7	<b>Только DSP 412, DSP 424:</b> разъем для внешнего переключателя

# 6 Монтаж инвертора

## 6.1 Указания по монтажу

При выборе места монтажа учитывайте следующее:

- Инвертор может быть установлен как горизонтально, так и вертикально.
- Инвертор должен быть установлен в защищенном от попадания влаги месте.
- Запрещается установка инвертора вблизи легко воспламеняющихся материалов.
- Инвертор запрещается устанавливать в запыленной атмосфере.
- В месте монтажа должна иметься хорошая вентиляция. При монтаже в небольших закрытых помещениях должна иметься приточно-вытяжная вентиляция. Свободное расстояние вокруг инвертора должно составлять не менее 5 см (рис. **3**, стр. 4).

- Отверстия входа воздуха в основании и отверстие выхода воздуха с обратной стороны инвертора должны оставаться свободными.
- При температуре окружающей среды выше 40 °С (например, в моторном или котельном отделении) снижается длительная мощность, указанная в технических данных. Это может привести к отключению инвертора из-за перегрузки.
- Поверхность монтажа должна быть ровной и достаточно прочной.

**ВНИМАНИЕ!**

Прежде, чем просверлить какие-либо отверстия, убедитесь в том, что электрические кабели или другие детали автомобиля не будут повреждены при сверлении, пилении и обработке напильником.

## 6.2 Монтаж инвертора

- Установите инвертор, как изображено на иллюстрации (рис. **4**, стр. 4).

# 7 Подключение инвертора

**ПРЕДУПРЕЖДЕНИЕ!**

Всегда присоединяйте к инвертору **только одного** потребителя. Подсоединение одного или нескольких потребителей разрешается выполнять только квалифицированному электрику с учетом действующих норм по защите от опасного напряжения.

**ВНИМАНИЕ!**

- Подключение с неправильной полярностью приводит к сгоранию предохранителя. Замена предохранителя производится только в сервисной службе Dometic. Подключение с неправильной полярностью может также вызвать повреждение электронного оборудования.
- Инвертор можно использовать только со следующим напряжением:
  - DSP212, DSP412: 12 В $\overline{=}$
  - DSP224, DSP424: 24 В $\overline{=}$

- ▶ Подключите инвертор, как изображено на схеме:
  - Присоединение батареи:  
**DSP 212, DSP 224:** рис. **5**, стр. 5  
**DSP 412, DSP 424:** рис. **6**, стр. 5
  - Подключение потребителей: рис. **7**, стр. 6

### Подсоединение внешнего выключателя (только в DSP412, DSP424)



#### УКАЗАНИЕ

Инвертор включен, если внешний или главный выключатель (рис. **2** 1, стр. 3) находятся во включенном состоянии. Если управление производится только через внешний выключатель, главный выключатель должен находиться в положении «0».

- ▶ Подключите инвертор, как изображено на схеме (рис. **8**, стр. 6).

## 8 Использование инвертора



#### ОСТОРОЖНО!

При подключении потребителей соблюдайте действующие нормы.

### 8.1 Включение инвертора

- ▶ Включите инвертор главным выключателем (рис. **2** 1, стр. 3) (положение «»)...
- ▶ ... или (**только в DSP 412, DSP 424**) внешним выключателем (**опция**).
- ✓ Загорится синий индикатор состояния (рис. **2** 2, стр. 3).
- ✓ На потребитель подается переменное напряжение.

### Зарядка прибора через USB



#### УКАЗАНИЕ

Соблюдайте также инструкцию по эксплуатации прибора, от которого будет производиться зарядка от USB-порта.

- ▶ Подключите кабель USB к инвертору, как изображено на схеме (рис. **9**, стр. 7).

## 8.2 Рабочие индикаторы

Синий индикатор (рис. **2** 2, стр. 3) указывает на рабочее состояние инвертора.

Индикация	Входное напряжение
Непрерывное свечение	Нормальный режим работы
Медленное мигание с короткими паузами	Перегрев или перегрузка инвертора
Быстрое мигание	Слишком высокое или низкое напряжение
Выключен	Другая неисправность

## 9 Уход и очистка инвертора



### ВНИМАНИЕ!

Не использовать для очистки острые или твердые предметы или чистящие средства, т. к. это может привести к повреждениям продукта.

- Периодически очищайте продукт влажной тряпкой.

## 10 Устранение неисправностей



### ПРЕДУПРЕЖДЕНИЕ!

Не вскрывайте прибор. Возможно поражение электрическим током!



### УКАЗАНИЕ

По вопросам, касающимся **характеристик инвертора**, обращайтесь к изготовителю (адреса см. на оборотной стороне инструкции).

Светодиодный индикатор (рис. **2** 2, стр. 3) сообщает о неполадке:

Светодиодный индикатор	Причина	Устранение
Быстрое мигание	Слишком высокое входное напряжение	Проверьте входное напряжение и уменьшите его.
	Слишком низкое входное напряжение	Необходимо зарядить батарею. Проверьте провода и соединения.
Медленное мигание с короткими паузами	Тепловая перегрузка	Выключите инвертор и потребителей. Подождите около 5 – 10 минут и снова включите инвертор без потребителей. Уменьшите нагрузку и обеспечьте лучшую вентиляцию инвертора. После этого снова включите потребители.
	Слишком большая нагрузка	Выключите инвертор и отсоедините потребителей. Снова включите инвертор без потребителей. Если индикатор не сообщает о высокой нагрузке, это означает, что имеется короткое замыкание в потребителях или суммарная нагрузка была больше нагрузки, указанной в техническом паспорте. Проверьте провода и соединения.
Выключен	Другая неисправность	Обратитесь в сервисный центр.



## 11 Гарантия

Действителен установленный законом срок гарантии. Если продукт неисправен, обратитесь в представительство изготовителя в Вашей стране (адреса см. на оборотной стороне инструкции) или в торговую организацию.

В целях проведения ремонта или гарантийного обслуживания Вы должны также послать следующие документы:

- копию счета с датой покупки,
- причину рекламации или описание неисправности.

## 12 Утилизация

- По возможности, выкидывайте упаковочный материал в мусор, подлежащий вторичной переработке.



Если Вы окончательно выводите продукт из эксплуатации, то получите информацию в ближайшем центре по вторичной переработке или в торговой сети о соответствующих предписаниях по утилизации.

## 13 Технические характеристики

Следующие технические характеристики относятся ко всем инверторам:

Выходное напряжение:	230 В $\sim$ $\pm$ 10 %, чистая синусоидальная волна (КНИ < 5%)
Выходная частота:	50 Гц $\pm$ 0,5 Гц
Максимальный КПД:	> 90 %
Отвод тепла:	вентилятор с управлением по температуре и нагрузке
Температура окружающей среды при эксплуатации:	от 0 °С до +50 °С
Температура окружающей среды при хранении:	от -30 °С до +70 °С
Относительная влажность воздуха:	0 – 95 %, без конденсации
Испытания/сертификат:	

	<b>DSP212</b>	<b>DSP412</b>	<b>DSP224</b>	<b>DSP424</b>
Арт. №:	9600002603 9600003593	9600002541 9600003595	9600002540 9600003594	9600002542 9600003596
Входное номинальное напряжение:	12 В $\equiv$		24 В $\equiv$	
Диапазон входного напряжения:	10 – 16,5 В $\equiv$		20 – 33 В $\equiv$	
Номинальная мощность:	150 Вт	350 Вт	150 Вт	350 Вт
Максимальная мощность в течение 1 мин:	170 Вт	400 Вт	170 Вт	400 Вт
Выходная пиковая мощность (на 1 с):	300 Вт	700 Вт	300 Вт	700 Вт
Потребляемый ток холостого хода:	<0,6 А	<0,6 А	<0,4 А	<0,4 А
Размеры Ш x Д x В:	рис. <b>10</b> , стр. 7			
Вес:	1,1 кг	1,2 кг	1,1 кг	1,2 кг

**Защитные устройства**

	<b>12 В</b>	<b>24 В</b>
Вход:	Пониженное напряжение	
Выход переменного тока:	высокое напряжение, короткое замыкание, перегрузка	
Температура сублимации:	Отключение	
Защита от короткого замыкания:	да, I <sub>pk</sub>	

**Защита от повышенного напряжения**

<b>Прибор</b>	<b>Повышенное напряжение</b>	
	<b>Отключение</b>	<b>Перезапуск</b>
DSP212, DSP412	16,5 В	15,5 В
DSP224, DSP424	33 В	31 В

**Защита от пониженного напряжения**

<b>Прибор</b>	<b>Пониженное напряжение</b>	
	<b>Отключение</b>	<b>Перезапуск</b>
DSP212, DSP412	10 В	12 В
DSP224, DSP424	20 В	24 В

Действующее Заявление о соответствии стандартам ЕС для конкретного устройства можно найти на странице изделия на сайте [dometic.com](http://dometic.com) или запросить непосредственно у производителя (см. обратную сторону).

**Przed instalacją i uruchomieniem urządzenia należy uważnie przeczytać niniejszą instrukcję. Instrukcję należy zachować. W razie przekazywania urządzenia należy ją udostępnić kolejnemu nabywcy.**

## Spis treści

1	Objaśnienie symboli . . . . .	189
2	Ogólne wskazówki bezpieczeństwa . . . . .	189
3	W zestawie . . . . .	193
4	Użytkowanie zgodne z przeznaczeniem . . . . .	193
5	Opis techniczny . . . . .	194
6	Montaż przetwornicy . . . . .	195
7	Podłączanie przetwornicy . . . . .	196
8	Używanie przetwornicy . . . . .	197
9	Pielęgnacja i czyszczenie przetwornicy . . . . .	198
10	Usuwanie usterek . . . . .	199
11	Gwarancja . . . . .	200
12	Utylizacja . . . . .	200
13	Dane techniczne . . . . .	201

# 1 Objąśnienie symboli

**NIEBEZPIECZEŃSTWO!**

**Wskazówka dot. bezpieczeństwa:** Nieprzestrzeganie powoduje śmierć lub ciężkie obrażenia ciała.

**OSTRZEŻENIE!**

**Wskazówka dot. bezpieczeństwa:** Nieprzestrzeganie może prowadzić do śmierci lub ciężkich obrażeń ciała.

**UWAGA!**

Nieprzestrzeganie może prowadzić do powstania szkód materialnych i zakłóceń w działaniu produktu.

**WSKAZÓWKA**

Informacje uzupełniające dot. obsługi produktu.

## 2 Ogólne wskazówki bezpieczeństwa

### 2.1 Ogólne bezpieczeństwo

Producent nie odpowiada za szkody spowodowane:

- błędami powstałymi w trakcie montażu lub podłączania
- uszkodzeniem produktu w sposób mechaniczny lub spowodowany przeciążeniami elektrycznymi
- zmianami dokonanyymi w produkcie bez wyraźnej zgody producenta
- użytkowaniem w celach innych niż opisane w niniejszej instrukcji

Należy przestrzegać podstawowych zasad bezpieczeństwa obowiązujących przy używaniu urządzeń elektrycznych w celu ochrony przed:

- porażeniem prądem
- pożarem
- obrażeniami ciała

## 2.2 Podstawowe zasady bezpieczeństwa



### NIEBEZPIECZEŃSTWO!

- W przypadku pożaru należy użyć gaśnicy odpowiedniej do zastosowania w przypadku urządzeń elektrycznych.



### OSTRZEŻENIE!

- Urządzenie należy wykorzystywać zgodnie z jego przeznaczeniem.
- Należy także pamiętać, aby **nigdy** nie dotykać czerwonego oraz czarnego zacisku.
- Urządzenie należy odłączyć od sieci
  - przed każdym czyszczeniem i konserwacją
  - przed wymianą bezpiecznika
- W przypadku demontażu urządzenia:
  - Należy odłączyć wszystkie połączenia.
  - Należy upewnić się, iż wszystkie wejścia i wyjścia są pozbawione napięcia.
- Jeżeli chłodziarka lub kabel przyłączeniowy są w widoczny sposób uszkodzone, nie wolno używać chłodziarki.
- Gdy przewód przyłączeniowy ulegnie uszkodzeniu, musi zostać wymieniony przez producenta, jego serwis lub podobnie wykwalifikowaną osobę, aby uniknąć zagrożenia.
- Napraw mogą dokonywać tylko odpowiednio wykwalifikowane osoby. Niefachowe naprawy mogą spowodować poważne niebezpieczeństwo.
- Dzieci od 8 roku życia i osoby o ograniczonych możliwościach fizycznych, sensorycznych lub umysłowych oraz/lub osoby niedysponujące stosowną wiedzą i doświadczeniem mogą użytkować to urządzenie, o ile osoby te znajdują się pod nadzorem lub zostały poinstruowane w zakresie bezpiecznego użytkowania urządzenia i zrozumiały ewentualne zagrożenia wynikające z niewłaściwego użytkowania.
- **Urządzenia elektryczne nie są zabawkami dla dzieci!** Urządzenie należy stosować i przechowywać poza zasięgiem dzieci.
- Należy dopilnować, by dzieci nie bawiły się urządzeniem.



### UWAGA!

- Przed uruchomieniem należy porównać dane dotyczące napięcia na tabliczce znamionowej z dostępnym źródłem zasilania.

- Należy zwrócić uwagę na to, aby inne przedmioty **nie** spowodowały zwarcia przy stykach urządzenia.
- Wtyczki nie wolno nigdy wyciągać z gniazdka, ciągnąc za przewód przyłączeniowy.
- Urządzenie należy przechowywać w suchym i chłodnym miejscu.

## 2.3 Bezpieczeństwo podczas montażu urządzenia



### NIEBEZPIECZEŃSTWO!

- Nie należy montować urządzenia w obszarach, w których występuje niebezpieczeństwo wybuchu gazu lub pyłu.



### OSTROŻNIE!

- Należy zapewnić bezpieczną pozycję! Urządzenie musi być ustawione i przymocowane w taki sposób, aby nie mogło się przewrócić lub spaść.



### UWAGA!

- Nie należy trzymać urządzenia w pobliżu źródła ciepła (promieni słonecznych, ogrzewania itd.). Źródło ciepła spowoduje jego dodatkowe nagrzanie.
- Urządzenie należy ustawić w suchym miejscu, zabezpieczonym przed zachlapaniem.

## 2.4 Bezpieczeństwo podczas elektrycznego podłączenia urządzenia



### NIEBEZPIECZEŃSTWO! Zagrożenie życia w wyniku porażenia prądem!

- W przypadku wykonywania pracy z urządzeniami elektrycznymi należy upewnić się, iż w pobliżu znajduje się osoba, która może w nagłym przypadku udzielić pomocy.



### OSTRZEŻENIE!

- Do przetwornicy zawsze podłączać tylko jeden odbiornik. Podłączenie dwóch lub większej liczby odbiorników może doprowadzić do zwarcia.
- Należy zwrócić uwagę na wystarczający przekrój przewodu.

- Przewody należy układać tak, by uniknąć ich uszkodzenia przez drzwi lub maskę silnika.  
Zmiażdżone kable mogą spowodować obrażenia zagrażające życiu.

**OSTROŻNIE!**

- Przewody należy układać tak, by uniknąć potykania się o nie i ich uszkodzenia.

**UWAGA!**

- Jeżeli przewody muszą zostać przeprowadzone przez blaszane ściany lub inne ściany o ostrych krawędziach, należy użyć pustych rurek lub przepustów przewodów.
- **Nie** należy układać przewodów sieciowych 230 V i przewodów prądu stałego 12 V w tym samym kanale kablowym (pusta rurka).
- **Nie** należy układać luźnych albo mocno zgiętych przewodów.
- Należy dobrze przymocować przewody.
- Nie ciągnąć za przewody.

## 2.5 Bezpieczeństwo podczas eksploatacji urządzenia



### **NIEBEZPIECZEŃSTWO! Zagrożenie życia w wyniku porażenia prądem!**

- Nigdy nie wolno chwytać gołymi rękami nieosłoniętych przewodów.  
Dotyczy to przede wszystkim zasilania z sieci prądu przemiennego.

**OSTRZEŻENIE!**

- Urządzenie można używać jedynie w zamkniętych oraz dobrze wentylowanych pomieszczeniach.

**OSTROŻNIE!**

- Urządzenia **nie** należy eksploatować:
  - w słonym, wilgotnym lub mokrym otoczeniu
  - w sąsiedztwie żrących oparów
  - w pobliżu materiałów palnych
  - w miejscach, w których istnieje zagrożenie wybuchem
- Przed użyciem należy sprawdzić, czy przewód i wtyczka są suche.
- Podczas wykonywania prac na urządzeniu należy zawsze odłączyć urządzenie od zasilania.



- Po włączeniu urządzenia ochronnego (bezpiecznika) części urządzenia pozostają pod napięciem.
- Nie należy luzować przewodów w trakcie pracy urządzenia.



### UWAGA!

- Należy uważać, aby wloty i wyloty powietrza w urządzeniu nie były zastonięte.
- Konieczne jest zapewnienie dobrej wentylacji.

## 3 W zestawie

Poz. na rys. <b>1</b> , strona 3	Nazwa
1	Przetwornica sinusoidalna
2	Uchwyt
3	Śruby mocujące
–	Instrukcja obsługi

## 4 Użytkowanie zgodne z przeznaczeniem



### OSTRZEŻENIE!

Przetwornicy nie wolno stosować w pojazdach, w których biegun dodatni akumulatora jest połączony z podwoziem.

Przetwornice służą do przetwarzania napięcia stałego na napięcie zmienne 230 V o częstotliwości 50 Hz.

- **12 V**: DSP 212, DSP 412
- **24 V**: DSP 224, DSP 424

W porcie USB można ładować urządzenia zasilane bateriami poprzez złącze USB (5 V, 2000 mA).

To urządzenie jest przeznaczone wyłącznie do użytku w pojazdach.

## 5 Opis techniczny

Przetwornice można stosować wszędzie tam, gdzie występuje przyłącze DC.

- **12 V<sub>DC</sub>**: DSP 212, DSP 412
- **24 V<sub>DC</sub>**: DSP 224, DSP 424

Napięcie wyjściowe odpowiada napięciu dostępnemu w gniazdach sieci domowej (czyste napięcie sinusoidalne, współczynnik zniekształceń nieliniowych < 5%).

Proszę zapoznać się z wartościami dotyczącymi mocy wyjściowej oraz szczytowej mocy wyjściowej podanymi w rozdziale rozdz. „Dane techniczne” na stronie 201. Nie wolno podłączać urządzeń o większym zapotrzebowaniu mocy.



### WSKAZÓWKA

Przy podłączaniu urządzeń z napędem elektrycznym (np. wiertarki, lodówki itd.) należy pamiętać, że przy rozruchu często wymagają one wyższej mocy niż podano na tabliczce znamionowej.

Przetwornica wyposażona jest w różne mechanizmy zabezpieczające:

- **Ochrona przed przepięciem:** Przetwornica wyłącza się wówczas, gdy wartość napięcia przekroczy wartość wyłączeniową. Włącza się ponownie po tym, jak napięcie spadnie do wartości ponownego uruchomienia.
- **Ochrona przed podnapięciem:** Przetwornica wyłącza się wówczas, gdy wartość napięcia spadnie poniżej wartości wyłączeniowej. Włącza się ponownie po tym, jak napięcie wzrośnie do wartości ponownego uruchomienia.
- **Ochrona przed zbyt wysoką temperaturą:** Przetwornica wyłącza się wówczas, gdy temperatura wewnątrz urządzenia lub temperatura elementu chłodzącego przekroczy wartość wyłączeniową. Włącza się ponownie po tym, jak napięcie wzrośnie do wartości ponownego uruchomienia.
- **Zabezpieczenie przeciążeniowe i zwarcie:** Dioda LED na przetwornicy sygnalizuje zakłócenie pracy, jeżeli podłączone obciążenie jest za duże lub nastąpiło zwarcie.



### WSKAZÓWKA

Poszczególne wartości przełączania, zobacz rozdz. „Dane techniczne” na stronie 201.

## 5.1 Elementy obsługowe

Poz. na rys. <b>2</b> , strona 3	Opis
1	Przełącznik główny: Włącza lub wyłącza urządzenie
2	Dioda LED statusu: Patrz rozdz. „Wskaźniki trybu pracy” na stronie 198

## 5.2 Podłączenia



### WSKAZÓWKA

Ilustracja przedstawia wersję na Europę kontynentalną

Poz. na rys. <b>2</b> , strona 3	Opis
3	Złącze USB
4	Gniazda prądu zmiennego
5	Wtyczka prądu stałego
6	Wentylator (odwrotna strona)
7	<b>Tylko DSP 412, DSP 424:</b> Przyłącze do przełącznika zewnętrznego

# 6 Montaż przetwornicy

## 6.1 Zasady montażu

Przed wyborem miejsca montażu należy uwzględnić następujące wskazówki:

- Przetwornicę można montować zarówno poziomo, jak i pionowo.
- Przetwornicę należy zamontować w miejscu chronionym przed wilgocią.
- Nie wolno montować przetwornicy w otoczeniu materiałów palnych.
- Przetwornicy nie wolno montować w zakurzonej otoczeniu.
- Miejsce montażu musi być dobrze wentylowane. W przypadku instalacji w zamkniętych, małych pomieszczeniach powinno być zapewnione napowietrzanie i odpowietrzanie. Minimalna wolna przestrzeń wokół przetwornicy musi wynosić co najmniej 5 cm (rys. **3**, strona 4).

- Należy zachować swobodny dopływ powietrza od spodu, wzgl. wylot powietrza na odwrocie przetwornicy.
- W temperaturach otoczenia powyżej 40 °C (np. w maszynowniach lub kotłowniach, przy bezpośrednim nasłonecznieniu) zmniejsza się maksymalna moc wyjściowa przetwornicy. Tym samym może dojść do jej odłączenia wskutek przeciążenia.
- Powierzchnia montażu musi być równa i wystarczająco wytrzymała.

**UWAGA!**

Przed wykonaniem jakichkolwiek nawierceń należy się upewnić, że kable elektryczne oraz inne części samochodu nie zostaną uszkodzone w wyniku wiercenia i piłowania.

## 6.2 Montaż przetwornicy

- Zamontować przetwornicę, jak pokazano na rysunku (rys. **4**, strona 4).

## 7 Podłączanie przetwornicy

**OSTRZEŻENIE!**

Do przetwornicy podłączać **tylko jeden** odbiornik. Podłączenie dwóch lub trzech odbiorników może zostać wykonane wyłącznie przez elektryka z uwzględnieniem lokalnych przepisów z zakresu ochrony przed porażeniem prądem elektrycznym.

**UWAGA!**

- W razie nieprawidłowej biegunowości przepali się wewnętrzny bezpiecznik, który musi zostać wymieniony przez serwis Dometic. Ponadto może to pociągnąć za sobą uszkodzenie elektroniki.
- Przetwornica może pracować wyłącznie z następującym napięciem:
  - DSP212, DSP412: 12 V $\text{---}$
  - DSP224, DSP424: 24 V $\text{---}$

- Podłączyć przetwornicę, jak pokazano na rysunku.
  - Podłączenie akumulatora:  
**DSP212, DSP224:** rys. **5**, strona 5  
**DSP412, DSP424:** rys. **6**, strona 5
  - Podłączenie odbiorników: rys. **7**, strona 6

## Podłączanie zewnętrznego przełącznika do włączania i wyłączenia (tylko DSP412, DSP424)



### WSKAZÓWKA

Przetwornica zostaje włączona od razu po włączeniu przełącznika zewnętrznego lub głównego (rys. **2** 1, strona 3). Jeśli sterowanie ma być realizowane tylko za pomocą zewnętrznego przełącznika, przełącznik główny należy ustawić w pozycji „0”.

- ▶ Podłączyć przełącznik zewnętrzny, jak pokazano na rysunku (rys. **8**, strona 6).

## 8 Używanie przetwornicy



### OSTROŻNIE!

Podłączając odbiorniki, przestrzegać obowiązujących przepisów.

### 8.1 Włączyć przetwornicę

- ▶ Należy włączyć przetwornicę za pomocą włącznika (rys. **2** 1, strona 3) (pozycja „1”)...
- ▶ ... lub (**tylko DSP412, DSP424**) włączyć przetwornicę za pomocą przełącznika zewnętrznego (**opcja**).
- ✓ Niebieska dioda LED (rys. **2** 2, strona 3) świeci się.
- ✓ Odbiornik jest zasilany napięciem zmiennym.

### Ładowanie urządzenia za pomocą złącza USB



### WSKAZÓWKA

Należy przestrzegać instrukcji obsługi urządzenia, które ma zostać podłączone za pomocą portu USB.

- ▶ Należy podłączyć urządzenie za pomocą portu USB zgodnie z ilustracją (rys. **9**, strona 7).

## 8.2 Wskaźniki trybu pracy

Niebieska dioda LED (rys. **2** 2, strona 3) sygnalizuje stan pracy przetwornicy.

Wskaźnik	Napięcie wejściowe
Ciągłe światło	Tryb zwykły
Długie miganie, krótka przerwa	Przetwornica przegrzana/przeciążenie
Szybkie miganie	Przebiecie/podnapięcie
Wył.	Inny błąd

## 9 Pielęgnacja i czyszczenie przetwornicy



### UWAGA!

Do czyszczenia nie należy używać ostrych i twardych środków czyszczących; mogą one uszkodzić produkt.

- ▶ Od czasu do czasu należy czyścić produkt wilgotną ściereczką.

## 10 Usuwanie usterek



### OSTRZEŻENIE!

Nie wolno otwierać urządzenia. W ten sposób użytkownik naraziłby się na niebezpieczeństwo porażenia prądem elektrycznym!



### WSKAZÓWKA

W przypadku szczegółowych pytań dotyczących **danych przetwornicy** należy skontaktować się z jej producentem (adresy na odwrocie instrukcji).

Dioda LED (rys. **2**, strona 3) sygnalizuje błąd:

Wskazanie diody LED	Przyczyna	Usuwanie
Szybkie miganie	Zbyt wysokie napięcie wejściowe	Należy sprawdzić napięcie wejściowe i zredukować je.
	Zbyt niskie napięcie wejściowe	Należy naładować akumulator. Należy sprawdzić przewody i połączenia.
Długie miganie, krótka przerwa	Przeciążenie termiczne	Należy sprawdzić przetwornicę oraz odbiorniki. Należy odczekać ok. 5 – 10 minut i ponownie włączyć przetwornicę bez odbiorników. Należy zredukować obciążenie i zadbać o lepszą wentylację przetwornicy. Następnie należy ponownie włączyć odbiornik.
	Zbyt wysokie obciążenie	Należy wyłączyć przetwornicę i usunąć odbiorniki. Następnie należy ponownie włączyć przetwornicę bez odbiorników. Jeśli teraz nie będzie wskazywane zbyt wysokie obciążenie, zwarcie występuje w odbiorniku lub łączne obciążenie było wyższe niż moc podana w specyfikacji. Należy sprawdzić przewody i połączenia.
Wył.	Inny błąd	W celu przeprowadzenia naprawy należy zwrócić się do działu serwisowego.

## 11 Gwarancja

Warunki gwarancji zostały opisane w Karcie Gwarancyjnej dołączonej do produktu.

W celu naprawy lub rozpatrzenia gwarancji konieczne jest przesłanie:

- kopii rachunku z datą zakupu,
- informacji o przyczynie reklamacji lub opisu wady.

## 12 Utylizacja

- Opakowanie należy wyrzucić do odpowiedniego pojemnika na śmieci do recyklingu.




Jeżeli produkt nie będzie dłużej eksploatowany, koniecznie dowiedz się w najbliższym zakładzie recyklingu lub w specjalistycznym sklepie, jakie są aktualnie obowiązujące przepisy dotyczące utylizacji.



## 13 Dane techniczne

Poniższe dane techniczne dotyczą wszystkich wersji przetwornicy:

Napięcie wyjściowe:	230 V $\sim$ $\pm$ 10%, czysta fala sinusoidalna (współczynnik zniekształceń nieliniowych < 5%)
Częstotliwość wyjściowa:	50 Hz $\pm$ 0,5 Hz
Maksymalna sprawność:	>90 %
Odprowadzanie ciepła:	wentylator uruchamiający się w zależności od temperatury i obciążenia
Temperatura otoczenia przy pracy:	0 °C do +50 °C
Temperatura otoczenia przy składowaniu:	-30 °C do +70 °C
Wilgotność powietrza:	0 – 95 %, nieskroplone
Kontrola/certyfikat:	

	<b>DSP212</b>	<b>DSP412</b>	<b>DSP224</b>	<b>DSP424</b>
Nr kat.:	9600002603 9600003593	9600002541 9600003595	9600002540 9600003594	9600002542 9600003596
Napięcie znamionowe wejściowe:	12 V $\equiv$		24 V $\equiv$	
Zakres napięcia wejściowego:	10 – 16,5 V $\equiv$		20 – 33 V $\equiv$	
Moc znamionowa:	150 W	350 W	150 W	350 W
Moc maksymalna przez 1 min:	170 W	400 W	170 W	400 W
Moc szczytowa przez 1 s:	300 W	700 W	300 W	700 W
Pobór prądu bez obciążenia:	<0,6 A	<0,6 A	<0,4 A	<0,4 A
Wymiary Sz x D x W:	rys. <b>10</b> , strona 7			
Waga:	1,1 kg	1,2 kg	1,1 kg	1,2 kg

**Urządzenia zabezpieczające**

	<b>12 V</b>	<b>24 V</b>
Wejście:	Podnapięcie	
Wyjście AC:	Przepięcie, zwarcie, przeciążenie	
Temperatura:	Wyłączenie	
Ochrona przed zwarciami:	tak, IpK	

**Ochrona przed przepięciem**

<b>Urządzenie</b>	<b>Nadnapięcie</b>	
	<b>Wyłączenie</b>	<b>Ponowne uruchomienie</b>
DSP212, DSP412	16,5 V	15,5 V
DSP224, DSP424	33 V	31 V

**Ochrona przed podnapięciem**

<b>Urządzenie</b>	<b>Podnapięcie</b>	
	<b>Wyłączenie</b>	<b>Ponowne uruchomienie</b>
DSP212, DSP412	10 V	12 V
DSP224, DSP424	20 V	24 V

Aktualną deklarację zgodności UE dla urządzenia znajdują Państwo na podstronie danego produktu na stronie [dometic.com](http://dometic.com) lub bezpośrednio u producenta (zob. na odwrocie).

**Pred montážou a uvedením do prevádzky si prosím pozorne prečítajte tento návod a odložte si ho. V prípade odovzdania výrobku ďalšiemu používateľovi mu odovzdajte aj tento návod.**

## Obsah

1	Vysvetlenie symbolov . . . . .	204
2	Všeobecné bezpečnostné upozornenia . . . . .	204
3	Rozsah dodávky . . . . .	208
4	Používanie v súlade s určením . . . . .	208
5	Technický opis. . . . .	209
6	Montáž striedača. . . . .	210
7	Pripojenie striedača . . . . .	211
8	Používanie striedača . . . . .	212
9	Ošetrovanie a čistenie striedača. . . . .	213
10	Odstraňovanie porúch . . . . .	214
11	Záruka . . . . .	215
12	Likvidácia . . . . .	215
13	Technické údaje . . . . .	216

# 1 Vysvetlenie symbolov

**NEBZPEČENSTVO!**

**Bezpečnostný pokyn:** Nerešpektovanie vedie k smrti alebo k ťažkému zraneniu.

**VÝSTRAHA!**

**Bezpečnostný pokyn:** Nerešpektovanie môže viesť k smrti alebo k ťažkému zraneniu.

**POZOR!**

Nerešpektovanie môže viesť k materiálnym škodám a môže ovplyvniť funkciu zariadenia.

**POZNÁMKA**

Doplňujúce informácie k obsluhu výrobku.

## 2 Všeobecné bezpečnostné upozornenia

### 2.1 Všeobecná bezpečnosť

Výrobca v nasledujúcich prípadoch nepreberá za škody žiadnu záruku:

- Chyby montáže alebo pripojenia
- Poškodenia produktu mechanickými vplyvmi a prepätiami
- Zmeny produktu bez vyjadreného povolenia výrobcu
- Použitie na iné účely ako sú účely uvedené v návode

Rešpektujte nasledujúce zásadné bezpečnostné opatrenia pri používaní elektrických prístrojov na ochranu pred:

- zásahom elektrického prúdu,
- nebezpečenstvom požiaru,
- zraneniami.

## 2.2 Základná bezpečnosť



### NEBZPEČENSTVO!

- V prípade požiaru použite hasiaci prístroj, ktorý je vhodný na elektrické prístroje.



### VÝSTRAHA!

- Používajte prístroj iba na účely, na ktoré je určený.
- Dávajte pozor na to, aby sa červená a čierna svorka **nikdy** navzájom nedotkli.
- Odpojte prístroj od siete
  - pred každým čistením a ošetrovaním,
  - pred každou výmenou poistky.
- Ak prístroj demontujete:
  - Odpojte všetky spoje.
  - Uistite sa, že sú všetky vstupy a výstupy bez napätia.
- Keď má prístroj alebo pripájací kábel viditeľné poškodenia, nesmiete prístroj uviesť do prevádzky.
- Keď je poškodený pripájací kábel tohto prístroja, musí ho vymeniť výroba, jeho zákaznícka služba alebo podobne kvalifikovaná osoba, aby sa zabránilo ohrozeniam.
- Opravy na tomto prístroji smú vykonávať len odborníci. Neodbornými opravami môžu vzniknúť značné nebezpečenstvá.
- Prístroj smú používať deti od 8 rokov a osoby so zníženými psychickými, zmyslovými alebo mentálnymi schopnosťami a vedomosťami, keď sú pod dozorom alebo keď boli poučené o bezpečnom používaní prístroja a keď chápu, aké riziká z toho vyplývajú.
- **Elektrické prístroje nie sú hračkou pre deti!**  
Prístroj používajte mimo dosahu detí.
- Deti by mali byť pod dozorom, aby sa zabezpečilo, že sa nebudú hrať s týmto prístrojom.



### POZOR!

- Pred uvedením do prevádzky porovnajte údaj o napätí na výrobnom štítku s prítomným zásobovaním energiou.
- Dávajte pozor na to, aby iné predmety nespôsobili **žiadny** skrat na kontaktoch prístroja.
- Neťahajte zástrčku zo zásuvky nikdy za pripájací kábel.
- Uschovajte prístroj na suchom a chladnom mieste.

## 2.3 Bezpečnosť pri montáži prístroja



### NEBZPEČENSTVO!

- Nemontujte prístroj v oblastiach, v ktorých existuje nebezpečenstvo výbuchu plynov alebo prachu.



### UPOZORNENIE!

- Dávajte pozor na bezpečné postavenie! Prístroj musí byť postavený a upevnený tak bezpečne, aby sa nemohol prevrátiť alebo spadnúť.



### POZOR!

- Nevystavte prístroj žiadnemu tepelnému zdroju (slnečné žiarenie, kúrenie atď.). Vyhnete sa tak dodatočnému zahriatiu prístroja.
- Prístroj osadzte na suchom mieste, ktoré je chránené pred striekajúcou vodou.

## 2.4 Bezpečnosť pri elektrickom pripájaní prístroja



### NEBZPEČENSTVO! Nebezpečenstvo ohrozenia života zásahom elektrického prúdu!

- Keď pracujete na elektrických zariadeniach, uistite sa, že je niekto nablízku, kto by vám mohol v núdzovom prípade pomôcť.



### VÝSTRAHA!

- Vždy pripojte len jeden spotrebič na striedač. Pri pripojení dvoch alebo viacerých spotrebičov môže dôjsť ku skratu.
- Dávajte pozor na dostatočný prierez kábla.
- Položte káble tak, aby sa nepoškodili dverami alebo kapotou motora. Privrznuté káble môžu spôsobiť život ohrozujúce zranenia.



### UPOZORNENIE!

- Položte káble tak, aby nevzniklo žiadne nebezpečenstvo zakopnutia a vylúčilo sa poškodenie kábla.



### POZOR!

- Použite prázdne rúrky alebo káblové priechodky, keď sa káble musia prevliecť cez plechové steny alebo iné steny s ostrými hranami.
- Neuložte** 230 V sieťové káble a 12 V káble jednosmerného prúdu v rovnakom káblovom kanáli (prázdna rúrka).
- Nepoložte** káble voľne alebo ostro zalomené.

- Káble dobre upevnite.
- Neťahajte za káble.

## 2.5 Bezpečnosť pri prevádzke zariadenia



### **NEBZPEČENSTVO! Nebezpečenstvo ohrozenia života zásahom elektrického prúdu!**

- Nikdy sa nedotýkajte holými rukami obnažených vodičov. To platí predovšetkým pri prevádzke prostredníctvom siete so striedavým prúdom.



### **VÝSTRAHA!**

- Používajte prístroj výlučne v uzavretých, dobre vetraných miestnostiach.



### **UPOZORNENIE!**

- **Neprevádzkujte** prístroj
  - v prostredí, ktoré obsahuje soľ, ani vo vlhkom alebo mokrom prostredí,
  - v blízkosti agresívnych pár,
  - v blízkosti horľavých materiálov,
  - v oblastiach s nebezpečenstvom výbuchu.
- Pred uvedením do prevádzky dávajte pozor na to, aby boli prírodný kábel a zástrčka suché.
- Pri práci na prístroji vždy prerušte zásobovanie prúdom.
- Rešpektujte, že aj po aktivácii ochranného zariadenia (poistka) môžu časti prístroja ostať pod napätím.
- Neodpájajte žiadne káble, keď je prístroj ešte v prevádzke.



### **POZOR!**

- Dávajte pozor na to, aby neboli vstupy a výstupy vzduchu na prístroji zakryté.
- Dbajte na dobré vetranie.

### 3 Rozsah dodávky

Pol. na obr. <b>1</b> , strane 3	Označenie
1	Sínusový menič
2	Držiak
3	Upevňovacie skrutky
–	Návod na obsluhu

### 4 Používanie v súlade s určením



#### VÝSTRAHA!

Striedač sa nesmie používať vo vozidlách, v ktorých je kladný pól batérie spojený s kostrou.

Striedač slúži na premieňanie jednosmerného napätia na 230 V striedavé napätie 50 Hz.

- **12 V**: DSP 212, DSP 412
- **24 V**: DSP 224, DSP 424

Cez USB prípojku sa dajú nabíjať zariadenie na batérie s USB rozhraním (5 V, 2000 mA).

Toto zariadenie je vhodné na používanie vo vozidlách.



## 5 Technický opis

Striedače sa dajú prevádzkovať všade tam, kde je k dispozícii prípojka jednosmerného napätia.

- **12 V<sub>DC</sub>**: DSP 212, DSP 412
- **24 V<sub>DC</sub>**: DSP 224, DSP 424

Výstupné napätie zodpovedá napätiu v elektrickej sieti domácnosti zo zásuvky (čisté sínusové napätie, činiteľ harmonického skreslenia < 5 %).

Dbajte na hodnoty trvalého výstupného výkonu a špičkového výstupného výkonu, ako sú uvedené v kapitole kap. „Technické údaje“ na strane 216. Zariadenia, ktoré majú vyšší príkon, sa nesmú pripájať.



### POZNÁMKA

Pri pripojení zariadení s elektrickým pohonom (napr. vŕtačka, chladnička atď.) si uvedomte, že na rozbeh potrebujú často vyšší výkon, ako je uvedený na typovom štítku.

Striedač je vybavený rôznymi ochrannými mechanizmami:

- **Prepätiová ochrana:** Striedač sa vypne, keď hodnota napätia prekročí hodnotu vypnutia. Opäť sa zapne, keď napätie klesne na hodnotu opätovného zapnutia.
- **Podpätiová ochrana:** Striedač sa vypne, keď hodnota napätia klesne pod hodnotu vypnutia. Opäť sa zapne, keď napätie stúpne na hodnotu opätovného zapnutia.
- **Ochrana v prípade nadmernej teploty:** Striedač sa vypne, keď teplota v rámci prístroja alebo teplota na chladiacom telese prekročí hodnotu vypnutia. Opäť sa zapne, keď napätie stúpne na hodnotu opätovného zapnutia.
- **Ochrana pred preťažením a pred skratom:** LED na striedači hlási prevádzkovú poruchu (červené neprerušované svetlo), keď je pripojená príliš veľká záťaž alebo vznikol skrat.



### POZNÁMKA

Jednotlivé hodnoty spínania nájdete v kap. „Technické údaje“ na strane 216.

## 5.1 Ovládacie prvky

Pol. na obr. <b>2</b> , strane 3	Popis
1	Hlavný spínač: Zapína alebo vypína zariadenie
2	Stavová LED: Pozri kap. „Prevádzkové indikátory“ na strane 213

## 5.2 Pripojenia



### POZNÁMKA

Na obrázku je verzia pre Európu.

Pol. na obr. <b>2</b> , strane 3	Popis
3	USB prípojka
4	Zásuvka na striedavý prúd
5	Zástrčka striedavého prúdu
6	Ventilátor (zadná strana)
7	<b>Len DSP412, DSP424:</b> Prípojka pre externý spínač

## 6 Montáž striedača

### 6.1 Pokyny na montáž

Pri výbere miesta montáže dodržiavajte nasledovné inštrukcie:

- Montáž striedača sa môže vykonať horizontálne alebo vertikálne.
- Striedač sa musí namontovať na mieste chránenom pred vlhkosťou.
- Striedač sa nesmie namontovať v blízkosti zápalných materiálov.
- Striedač sa nesmie namontovať v prašnom prostredí.
- Miesto montáže musí byť dobre vetrané. Pri inštaláciách v malých uzavretých priestoroch by mala byť zabezpečená ventilácia. Okolo striedača musí byť odstup minimálne 5 cm (obr. **3**, strane 4).
- Prívod vzduchu na spodnej strane, príp. vývod vzduchu na zadnej strane striedača musí zostať voľný.

- Pri teplote okolia, ktorá je vyššia ako 40 °C (napr. priestory motora alebo vykurovania, priame slnečné žiarenie), sa maximálny výstupný výkon striedača zníži. Týmto môže dôjsť k vypnutiu striedača kvôli preťaženiu.
- Montážna plocha musí byť rovná a dostatočne pevná.

**POZOR!**

Pred vy vrtaním akýchkoľvek otvorov zabezpečte, aby sa nepoškodili žiadne elektrické káble alebo iné časti vozidla vrtaním, pílením alebo pilovaním.

## 6.2 Montáž striedača

- Namontujte striedač podľa obrázku (obr. **4**, strane 4).

## 7 Pripojenie striedača

**VÝSTRAHA!**

Vždy pripojte **len jeden** spotrebič na menič napätia. Pripojenie dvoch alebo viacerých spotrebičov smie vykonávať len kvalifikovaný elektrikár s ohľadom na miestne predpisy na ochranu pred úrazom elektrickým prúdom.

**POZOR!**

- Pri prepólovaní prehorí vnútorná poistka, ktorá musí byť vymenená servisom spoločnosti Dometic. Okrem toho môže dôjsť k poškodeniu elektroniky.
- Dbajte na to, že striedač sa smie prevádzkovať len s nasledujúcim napätím:
  - DSP212, DSP412: 12 V $\text{---}$
  - DSP224, DSP424: 24 V $\text{---}$

- Pripojte striedač podľa obrázku:
  - Pripojenie batérie:
    - DSP212, DSP224:** obr. **5**, strane 5
    - DSP412, DSP424:** obr. **6**, strane 5
  - Pripojenie spotrebičov: obr. **7**, strane 6

## Pripojenie externého spínača pre zapínanie a vypínanie (len DSP412, DSP424)



### POZNÁMKA

Striedač je zapnutý, ihneď ako sa zapne externý spínač alebo hlavný vypínač (obr. **2** 1, strane 3). Ak sa ovládanie uskutočňuje len cez externý spínač, hlavný vypínač musí byť zapnutý do polohy „0“.

- ▶ Pripojte externý spínač podľa obrázku (obr. **8**, strane 6).

## 8 Používanie striedača



### UPOZORNENIE!

Pri pripájaní spotrebičov dodržujte platné nariadenia a predpisy.

### 8.1 Zapnutie striedača

- ▶ Zapnite striedač hlavným vypínačom (obr. **2** 1, strane 3) (poloha „I“) ...
- ▶ ... alebo (len DSP412, DSP424) zapnite striedač externým spínačom (**voliteľné**).
- ✓ Modrá stavová LED (obr. **2** 2, strane 3) svieti.
- ✓ Spotrebič je napájaný striedavým napätím.

### Nabíjanie zariadenia cez USB rozhranie



### POZNÁMKA

Riadte sa aj návodom na obsluhu zariadenia, ktoré chcete nabíjať cez USB prípojku.

- ▶ Pripojte zariadenie k USB prípojke podľa obrázku (obr. **9**, strane 7).

## 8.2 Prevádzkové indikátory

Modrá LED (obr. **2**, strane 3) zobrazuje prevádzkový stav striedača.

Indikácia	Vstupné napätie
Trvalo svieti	Normálna prevádzka
Dlhé blikanie, krátke prerušenie	Striedač prehriaty/preťaženie
Rýchle blikanie	Prepätie/podpätie
Vyp.	Iná chyba

## 9 Ošetrovanie a čistenie striedača



### POZOR!

Na čistenie nepoužívajte ostré alebo tvrdé predmety, pretože by mohli poškodiť výrobok.

- Výrobok príležitostne vyčistite mierne navlhčenou handričkou.

## 10 Odstraňovanie porúch



### VÝSTRAHA!

Zariadenie neotvárajte. Vystavujete sa nebezpečenstvu zásahu elektrickým prúdom!



### POZNÁMKA

V prípade konkrétnych otázok týkajúcich sa **údajov striedača**, sa obráťte na výrobcu (adresy pozri na zadnej strane návodu).

LED (obr. **2**, strane 3) zobrazuje chybu:

LED indikácia	Príčina	Odstránenie
Rýchle blikanie	Príliš vysoké vstupné napätie	Skontrolujte vstupné napätie a znížte ho.
	Príliš nízke vstupné napätie	Batérie musíte dobiť. Skontrolujte vedenia a spojenia.
Dlho svieti, krátke prerušenie	Tepelné preťaženie	Vypnite striedač a spotrebič. Počkajte približne 5 – 10 minút a striedač znovu zapnite bez spotrebiča. Znížte zaťaženie a postarajte sa o lepšie odvetranie striedača. Potom spotrebič znova zapnite.
	Príliš vysoké zaťaženie	Vypnite striedač a odstráňte spotrebič. Potom striedač znova zapnite bez spotrebiča. Ak sa teraz už nebude indikovať príliš vysoké zaťaženie, znamená to, že skrat je v spotrebiči, alebo bolo celkové zaťaženie vyššie ako je špecifikovaná hodnota výkonu v údajovom liste. Skontrolujte vedenia a spojenia.
Vyp.	Iná chyba	Obráťte sa na zákaznícky servis.

## 11 Záruka

Platí zákonom stanovená záručná lehota. Ak by bol výrobok chybný, obráťte sa na pobočku vo vašej krajine (adresy pozri na zadnej strane návodu) alebo na vášho špecializovaného predajcu.

Ak žiadate o vybavenie opravy alebo nárokov vyplývajúcich zo záruky, musíte priložiť nasledovné podklady:

- kópiu faktúry s dátumom kúpy,
- dôvod reklamácie alebo opis chyby.

## 12 Likvidácia


- Obalový materiál podľa možnosti odovzdajte do príslušného odpadu na recykláciu.



Keď výrobok definitívne vyradíte z prevádzky, informujte sa v najbližšom recyklačnom stredisku alebo u vášho špecializovaného predajcu o príslušných predpisoch týkajúcich sa likvidácie.

## 13 Technické údaje

Pre všetky striedače platia nasledovné technické údaje:

Výstupné napätie:	230 V $\sim$ $\pm$ 10 %, čistá sínusoida (činiteľ harmonického skreslenia < 5 %)
Výstupná frekvencia:	50 Hz $\pm$ 0,5 Hz
Maximálny stupeň účinnosti:	>90 %
Odvádzanie tepla:	ventilátor riadený podľa teploty a zaťaženia
Teplota okolia pri prevádzke:	0 °C až +50 °C
Teplota okolia pri skladovaní:	-30 °C až +70 °C
Vlhkosť vzduchu:	0 – 95 %, nekondenzujúca
Skúška/certifikát:	

	DSP212	DSP412	DSP224	DSP424
Č. výrobu:	9600002603 9600003593	9600002541 9600003595	9600002540 9600003594	9600002542 9600003596
Vstupné menovité napätie:	12 V $\equiv$		24 V $\equiv$	
Rozsah vstupného napätia:	10 – 16,5 V $\equiv$		20 – 33 V $\equiv$	
Menovitý výkon:	150 W	350 W	150 W	350 W
Maximálny výkon počas 1 min:	170 W	400 W	170 W	400 W
Nárazový prúd počas 1 s:	300 W	700 W	300 W	700 W
Spotreba prúdu naprázdno:	<0,6 A	<0,6 A	<0,4 A	<0,4 A
Rozmery Š x D x V:	obr. <b>10</b> , strane 7			
Hmotnosť:	1,1 kg	1,2 kg	1,1 kg	1,2 kg



**Ochranné zariadenia**

	<b>12 V</b>	<b>24 V</b>
Vstup:	Podpätie	
Výstup AC:	Prepätie, skrat, preťaženie	
Teplota:	Vypnutie	
Ochrana proti skratu:	Áno, Ipk	

**Prepätivá ochrana**

<b>Zariadenie</b>	<b>Prepätie</b>	
	<b>Vypnutie</b>	<b>Reštartovanie</b>
DSP212, DSP412	16,5 V	15,5 V
DSP224, DSP424	33 V	31 V

**Ochrana v prípade podpätia**

<b>Zariadenie</b>	<b>Podpätie</b>	
	<b>Vypnutie</b>	<b>Reštartovanie</b>
DSP212, DSP412	10 V	12 V
DSP224, DSP424	20 V	24 V

Aktuálne EÚ vyhlásenie o zhode pre vaše zariadenie nájdete na stránke príslušného výrobcu na adrese [dometic.com](http://dometic.com) alebo vám ho poskytnie priamo výrobca (pozri zadnú stranu).

**Před zahájením instalace a uvedením do provozu si pečlivě přečtěte tento návod a uschovejte jej. V případě dalšího prodeje výrobku předejte návod novému uživateli.**

## Obsah

1	Vysvětlení symbolů . . . . .	219
2	Všeobecné bezpečnostní pokyny . . . . .	219
3	Obsah dodávky . . . . .	223
4	Použití v souladu se stanoveným účelem . . . . .	223
5	Technický popis . . . . .	224
6	Montáž měniče . . . . .	225
7	Připojení měniče . . . . .	226
8	Používání měniče . . . . .	227
9	Čištění a péče o měnič . . . . .	228
10	Odstraňování závad . . . . .	229
11	Záruka . . . . .	230
12	Likvidace . . . . .	230
13	Technické údaje . . . . .	231

# 1 Vysvětlení symbolů

**NEBEZPEČÍ!**

**Bezpečnostní pokyny:** Následkem nedodržení pokynů jsou smrtelná nebo vážná zranění.

**VÝSTRAHA!**

**Bezpečnostní pokyny:** Následkem nedodržení pokynů mohou být smrtelná nebo vážná zranění.

**POZOR!**

Nedodržení pokynů může mít za následek hmotné škody a narušení funkce výrobku.

**POZNÁMKA**

Doplňující informace týkající se obsluhy výrobku.

## 2 Všeobecné bezpečnostní pokyny

### 2.1 Obecná bezpečnost

V následujících případech nepřebírá výrobce žádné záruky za škody:

- Chybná montáž nebo chybné připojení
- Poškození výrobku působením mechanických vlivů a přepětí
- Změna výrobku bez výslovného souhlasu výrobce
- Použití k jiným účelům, než jsou popsány v tomto návodu

Při použití elektrických přístrojů dodržujte následující zásadní bezpečnostní opatření k ochraně před následujícími nebezpečími:

- zasažení elektrickým proudem
- nebezpečí požáru
- úrazy

## 2.2 Základní bezpečnost



### NEBEZPEČÍ!

- V případě požáru použijte hasicí přístroj, který je vhodný k hašení elektrických přístrojů.



### VÝSTRAHA!

- Používejte přístroj pouze v souladu s jeho určením.
- Dávejte pozor, aby **nikdy** nedošlo ke vzájemnému kontaktu červené a černé svorky.
- Přístroj odpojte od sítě:
  - Před každým čištěním a údržbou
  - Před výměnou pojistek
- V případě demontáže přístroje:
  - Odpojte veškerá připojení.
  - Zajistěte, aby byly všechny vstupy a výstupy odpojeny od napětí.
- V případě, že jsou přístroj nebo přívodní kabel poškozeny, nesmíte výrobek dále používat.
- Pokud je přívodní kabel přístroje poškozen, musíte jej nechat vyměnit výrobcem, jeho servisním centrem nebo jinou kvalifikovanou osobou tak, aby nemohlo dojít k jakémukoliv ohrožení.
- Opravy tohoto výrobku smějí provádět pouze odborníci. Nesprávně provedené opravy mohou být zdrojem značných rizik.
- Tento přístroj mohou používat děti od 8 let a osoby se sníženými fyzickými, sensorickými nebo mentálními schopnostmi, nebo osoby s nedostatkem zkušeností a/nebo znalostí, pokud budou pod dozorem nebo pokud byly poučeny o bezpečném použití přístroje a porozuměly nebezpečím, která z použití výrobku vyplývají.
- **Elektrické přístroje nejsou hračky pro děti!** Přístroj používejte a skladujte mimo dosah dětí.
- Děti musejí být pod dohledem tak, aby si s výrobkem nehrály.



### POZOR!

- Před uvedením do provozu porovnejte údaj o napětí na typovém štítku se stávajícím zdrojem napájení.
- Zajistěte, aby jiné předměty **nezpůsobily** zkrat na kontaktech přístroje.
- Nikdy nevytahujte zástrčku ze zásuvky tahem za přívodní kabel.
- Přístroj skladujte na suchém a chladném místě.

## 2.3 Bezpečnost při montáži přístroje



### NEBEZPEČÍ!

- Nemontujte přístroj v oblastech, ve kterých hrozí nebezpečí exploze plynu nebo prachu.



### UPOZORNĚNÍ!

- Pamatujte na bezpečnou stabilitu! Přístroj musí být umístěn a upevněn tak, aby se nemohl převážít nebo spadnout.



### POZOR!

- Nevystavujte přístroj zdroji tepla (sluneční záření, topení apod.). Zabráníte tak dalšímu zahřívání přístroje.
- Umístěte přístroj na suchém místě chráněním před stříkající vodou.

## 2.4 Bezpečnost při elektrickém připojování přístroje



### NEBEZPEČÍ! Ohrožení života elektrickým proudem!

- Pokud pracujete na elektrických zařízeních zajistěte, aby byla na blízku další osoba, která vám může v nouzovém případě pomoci.



### VÝSTRAHA!

- Připojujte k měniči napětí pouze jeden spotřebič. Při připojení dvou nebo několika spotřebičů může dojít ke zkratu.
- Pamatujte na dostatečný průřez vodiče.
- Instalujte kabely tak, aby nemohly být poškozeny dveřmi nebo kryty motorového prostoru. Přivřené kabely mohou mít za následek životu nebezpečné úrazy.



### UPOZORNĚNÍ!

- Instalujte vodiče tak, aby nehrozilo nebezpečí zakopnutí a nemohlo dojít k poškození kabelů.



### POZOR!

- Používejte trubky nebo průchodky kabelů, pokud musíte vést kabely plechovými stěnami nebo jinými stěnami s ostrými hranami.
- **Nepokládejte** síťové rozvody 230 V a rozvody stejnosměrného proudu 12 V společně ve stejné průchodce (trubce).
- **Nepokládejte** kabely volně nebo ostře zalomené.

- Vodiče dobře upevněte.
- Netahejte za rozvody.

## 2.5 Bezpečnost za provozu přístroje



### NEBEZPEČÍ! Ohrožení života elektrickým proudem!

- Nikdy se nedotýkejte odizolovaných vodičů. To platí především pro provoz v síti se střídavým napětím.



### VÝSTRAHA!

- Používejte přístroj výhradně v uzavřených dobře větraných prostorech.



### UPOZORNĚNÍ!

- **Nepoužívejte** přístroj za těchto podmínek:
  - Vlhké nebo mokré prostředí, prostředí s obsahem soli
  - Blízkost agresivních výparů
  - Blízkost hořlavých materiálů
  - Oblasti ohrožené explozí
- Před uvedením do provozu zkontrolujte, zda jsou přívodní kabel a zástrčka suché.
- Při práci na přístroji vždy přerušete napájení elektrickým proudem.
- Pamatujte, že i po vypnutí ochranného zařízení (pojistky) mohou být součástí přístroje pod napětím.
- Neodpojujte žádné kabely, dokud je přístroj ještě v provozu.



### POZOR!

- Dbejte, aby nedošlo k zakrytí vstupů a výstupů vzduchu přístroje.
- Pamatujte na dostatečný přívod vzduchu.

### 3 Obsah dodávky

Poz. na obr. <b>1</b> , strana 3	Název
1	Sinusový měnič
2	Držák
3	Upevňovací šrouby
–	Návod k obsluze

### 4 Použití v souladu se stanoveným účelem



#### VÝSTRAHA!

Měnič nesmíte používat ve vozidlech, ve kterých je kladný pól baterie spojen se šasi.

Měniče slouží k transformaci stejnosměrného napětí na střídavé napětí 230 V o frekvenci 50 Hz.

- **12 V**: DSP 212, DSP 412
- **24 V**: DSP 224, DSP 424

Na přípojce USB můžete nabíjet akumulátorové přístroje s rozhraním USB (5 V, 2000 mA).

Tento výrobek je určen výhradně k použití ve vozidlech.

## 5 Technický popis

Měníče můžete používat všude tam, kde je dostupné připojení DC.

- **12 V<sub>DC</sub>**: DSP 212, DSP 412
- **24 V<sub>DC</sub>**: DSP 224, DSP 424

Výstupní napětí odpovídá napětí v domácnosti ze zásuvky (čisté sinusové napětí, činitel harmonického zkreslení < 5%).

Dodržujte prosím hodnoty trvalého výstupního výkonu a špičkového výstupního výkonu tak, jak jsou uvedeny v kapitole kap. „Technické údaje“ na strani 231.

Nesmíte připojovat přístroje s vyšším příkonem.



### POZNÁMKA

Pamatujte při připojování přístrojů s elektrickým pohonem (např. vrtačky, chladničky apod.), že tyto přístroje při rozběhu často vyžadují vyšší výkon, než je uvedeno na typovém štítku.

Měníč je vybaven různými ochrannými mechanismy:

- **Přepětová ochrana:** Měníč vypne, pokud napětí překročí hodnotu k vypnutí. Aktivuje se opět, jakmile napětí klesne na hodnotu pro spuštění.
- **Podpětová ochrana:** Měníč vypne, pokud napětí poklesne pod hodnotu k vypnutí. Aktivuje se opět, jakmile se napětí zvýší na hodnotu pro spuštění.
- **Ochrana proti přehřívání:** Měníč se vypne, jakmile teplota v přístroji nebo teplota na chladicím tělese překročí hodnotu k vypnutí. Aktivuje se opět, jakmile se napětí zvýší na hodnotu pro spuštění.
- **Ochrana proti přetížení a zkratu:** Kontrolka LED hlásí provozní poruchu, pokud byla připojena příliš velká zátěž nebo došlo ke zkratu.



### POZNÁMKA

Jednotlivé spínací hodnoty naleznete v části kap. „Technické údaje“ na strani 231.



## 5.1 Ovládací prvky

Poz. na obr. <b>2</b> , strana 3	Popis
1	Hlavní vypínač: Zapnutí a vypnutí přístroje
2	Stavová LED: Viz kap. „Provozní kontrolky“ na straně 228

## 5.2 Přípojky



### POZNÁMKA

Vyobrazena je verze pro kontinentální Evropu.

Poz. na obr. <b>2</b> , strana 3	Popis
3	Přípojka USB
4	Zásuvka na střídavý proud
5	Zástrčka na stejnosměrný proud
6	Ventilátor (zadní strana)
7	<b>Pouze DSP412, DSP424:</b> Přípojka pro externí spínač

# 6 Montáž měniče

## 6.1 Montážní pokyny

Při výběru místa instalace dodržujte následující pokyny:

- Měnič můžete namontovat horizontálně i vertikálně.
- Měnič musí být instalován na místě chráněném před vlhkostí.
- Měnič nesmíte instalovat v prostředí s hořlavými materiály.
- Měnič nesmíte instalovat v prašném prostředí.
- Místo instalace musí být dobře odvětrávané. V případě instalace v malých uzavřených prostorech musí být zajištěn přívod a odvod vzduchu. Minimální volný prostor kolem měniče musí činit 5 cm (obr. **3**, strana 4).
- Musí zůstat volný vstup vzduchu na spodní straně, příp. výstup vzduchu na zadní straně měniče.

- V případě okolních teplot vyšších než 40 °C (např. motorový prostor nebo prostor topení, přímé sluneční záření) se snižuje maximální výstupní výkon měniče. To může v důsledku přetížení způsobit vypnutí měniče.
- Montážní plocha musí být rovná a dostatečně pevná.

**POZOR!**

Dříve než zhotovíte jakékoliv otvory, zkontrolujte, zda nebudou vrtáním, řezáním a pilováním poškozeny elektrické kabely nebo jiné součásti vozidla.

## 6.2 Montáž měniče

- Měnič namontujte podle vyobrazení (obr. **4**, strana 4).

## 7 Připojení měniče

**VÝSTRAHA!**

Připojte k měniči napětí **pouze jeden** spotřebič. Připojení dvou nebo více spotřebičů smí provádět pouze kvalifikovaný elektrikář s přihlédnutím k místním předpisům pro ochranu před úrazem elektrickým proudem.

**POZOR!**

- Přepólování způsobí propálení vnitřní pojistky, kterou musí vyměnit Dometic Service. Navíc může dojít k poškození elektroniky.
- Dbejte na to, že měnič se smí provozovat pouze s následujícím napětím:
  - DSP212, DSP412: 12 V $\equiv$
  - DSP224, DSP424: 24 V $\equiv$

- Připojte měnič podle vyobrazení:
  - Připojení baterie:
    - DSP212, DSP224:** obr. **5**, strana 5
    - DSP412, DSP424:** obr. **6**, strana 5
  - Připojení spotřebiče: obr. **7**, strana 6

## Připojení externího vypínače k zapnutí a vypnutí přístroje (pouze DSP412, DSP424)



### POZNÁMKA

Měnič se zapne, jakmile je zapnutý externí vypínač nebo hlavní vypínač (obr. **2** 1, strana 3). Pokud má řízení probíhat pouze přes externí vypínač, musí být hlavní vypínač přepnut do polohy „0“.

- ▶ Připojte externí vypínač podle vyobrazení (obr. **8**, strana 6).

## 8 Používání měniče



### UPOZORNĚNÍ!

Při připojování spotřebičů dodržujte platné předpisy.

### 8.1 Zapnutí měniče

- ▶ Zapněte měnič hlavním vypínačem (obr. **2** 1, strana 3) (poloha „I“).
- ▶ ...nebo (**pouze DSP412, DSP424**) zapněte měnič pomocí externího vypínače (**volitelné příslušenství**).
- ✓ Svítí modrá stavová LED (obr. **2** 2, strana 3).
- ✓ Spotřebič je napájen střídavým napětím.

### Nabíjení přístroje pomocí rozhraní USB



### POZNÁMKA

Dodržujte také návod k obsluze přístroje, který chcete nabíjet pomocí přípojky USB.

- ▶ Připojte přístroj k přípojce USB (obr. **9**, strana 7).

## 8.2 Provozní kontrolky

Modrá kontrolka LED (obr. 2, strana 3) informuje o provozním stavu měniče.

Indikace	Vstupní napětí
Svíí	Běžný provoz
Dlouhé blikání, krátké přerušení	Měnič přehřátý/přetížení
Rychlé blikání	Přepětí/podpětí
Vypnuto	Jiná chyba

## 9 Čištění a péče o měnič



### POZOR!

Nepoužívejte k čištění žádné tvrdé nebo ostré předměty, může dojít k poškození výrobku.

- Příležitostně vyčistěte výrobek zvlhčenou utěrkou.

## 10 Odstraňování závad



### VÝSTRAHA!

Přístroj neotevírejte. V opačném případě se vystavujete nebezpečí zásahu elektrickým proudem!



### POZNÁMKA

Podrobnější informace o **technických údajích měniče** získáte od výrobce (adresy viz zadní strana návodu).

Kontrolka LED (obr. **2**, strana 3) indikuje chybu:

Indikace LED	Příčina	Odstranění
Rychlé blikání	Příliš vysoké vstupní napětí	Zkontrolujte vstupní napětí a snižte jej.
	Příliš nízké vstupní napětí	Musíte dobít baterii. Zkontrolujte vodiče a spoje.
Dlouhé svícení, krátké přerušení	Tepelné přetížení	Vypněte měnič a spotřebič. Vyčkejte cca 5 – 10 minut a zapněte opět měnič bez spotřebiče. Snižte zatížení a zajistěte lepší odvětrávání měniče. Potom opět zapněte spotřebič.
	Příliš vysoké zatížení	Vypněte měnič a odpojte spotřebič. Zapněte měnič bez spotřebiče. Pokud již není indikováno příliš vysoké zatížení, došlo ve spotřebiči ke zkratu nebo bylo celkové zatížení vyšší než výkon specifikovaný v technickém listu. Zkontrolujte vodiče a spoje.
Vypnuto	Jiná chyba	Kontaktujte zákaznický servis.

## 11 Záruka

Na výrobek je poskytována záruka v souladu s platnými zákony. Zjistíte-li, že je výrobek vadný, zašlete jej do pobočky výrobce ve vaší zemi (adresy viz zadní strana tohoto návodu) nebo do specializovanému prodejci.

K vyřízení opravy nebo záruky nezapomeňte odeslat následující dokumenty:

- Kopii účtenky s datem zakoupení,
- Uvedení důvodu reklamace nebo popisu vady.

## 12 Likvidace


► Obalový materiál likvidujte v odpadu určeném k recyklaci.



Jakmile výrobek zcela vyřadíte z provozu, informujte se v příslušných recyklačních centrech nebo u specializovaného prodejce o příslušných předpisech o likvidaci odpadu.

## 13 Technické údaje

Pro všechny měniče platí následující technické údaje:

Výstupní napětí:	230 V $\sim$ $\pm$ 10 %, čistá sinusová vlna (činitel harmonického zkreslení < 5%)
Výstupní frekvence:	50 Hz $\pm$ 0,5 Hz
Maximální účinnost:	>90 %
Odvod tepla:	ventilátor řízený teplotou a zátěží
Okolní teplota za provozu:	0 °C až +50 °C
Okolní teplota při skladování:	-30 °C až +70 °C
Vzdušná vlhkost:	0 – 95 %, nekondenzující
Zkouška/certifikát:	

	DSP212	DSP412	DSP224	DSP424
Výr. č.:	9600002603 9600003593	9600002541 9600003595	9600002540 9600003594	9600002542 9600003596
Jmenovité vstupní napětí:	12 V $\equiv$		24 V $\equiv$	
Rozsah vstupního napětí:	10 – 16,5 V $\equiv$		20 – 33 V $\equiv$	
Jmenovitý výkon:	150 W	350 W	150 W	350 W
Maximální výkon na 1 min:	170 W	400 W	170 W	400 W
Nárazový výkon na 1 s:	300 W	700 W	300 W	700 W
Příkon při chodu naprázdno:	<0,6 A	<0,6 A	<0,4 A	<0,4 A
Rozměry Š x D x V:	obr. <b>10</b> , strana 7			
Hmotnost:	1,1 kg	1,2 kg	1,1 kg	1,2 kg

**Ochranná zařízení**

	<b>12 V</b>	<b>24 V</b>
Vstup:	Podpětí	
Výstup AC:	přepětí, zkrat, přetížení	
Teplota:	Vypnutí	
Zkratová ochrana:	Ano, Ipk	

**Přepětová ochrana**

<b>Přístroj</b>	<b>Přepětí</b>	
	<b>Vypnutí</b>	<b>Restart</b>
DSP212, DSP412	16,5 V	15,5 V
DSP224, DSP424	33 V	31 V

**Podpětová ochrana**

<b>Přístroj</b>	<b>Podpětí</b>	
	<b>Vypnutí</b>	<b>Restart</b>
DSP212, DSP412	10 V	12 V
DSP224, DSP424	20 V	24 V

Aktuální prohlášení o shodě EU k Vašemu přístroji obdržíte na příslušné stránce výrobku na adrese [dometic.com](http://dometic.com) nebo přímo přes výrobce (viz zadní strana).



**Beépítés és üzembe vétel előtt gondosan olvassa el és őrizze meg ezt a használati útmutatót. Ha a terméket továbbadja, mellékelje hozzá a használati útmutatót is.**

## Tartalomjegyzék

1	Szimbólumok magyarázata . . . . .	234
2	Általános biztonsági információk . . . . .	234
3	A csomag tartalma . . . . .	238
4	Rendeltetésszerű használat . . . . .	238
5	Műszaki leírás . . . . .	239
6	Az inverter felszerelése . . . . .	240
7	Az inverter csatlakoztatása . . . . .	241
8	Az inverter használata . . . . .	242
9	Az inverter karbantartása és tisztítása . . . . .	243
10	Hibaelhárítás . . . . .	244
11	Szavatosság . . . . .	245
12	Leselejtezés . . . . .	245
13	Műszaki adatok . . . . .	246

# 1 Szimbólumok magyarázata

**VESZÉLY!**

**Biztonsági tudnivaló:** Az utasítás figyelmen kívül hagyása halált vagy súlyos sérülést okoz.

**FIGYELMEZTETÉS!**

**Biztonsági tudnivaló:** Az utasítás figyelmen kívül hagyása halált vagy súlyos sérülést okozhat.

**FIGYELEM!**

Ha nem veszi figyelembe az információt, az anyagkárosodást eredményezhet, és káros kihatással lehet a termék működésére.

**MEGJEGYZÉS**

Kiegészítő információk a termék kezelésével kapcsolatosan.

## 2 Általános biztonsági információk

### 2.1 Általános biztonság

A gyártó a bekövetkező károkért a következő esetekben nem vállal felelősséget:

- szerelési vagy csatlakozási hiba
- a termék mechanikai behatások és túlfeszültségek miatti sérülése
- a termék kifejezett gyártói engedély nélküli módosítása
- az útmutatóban leírt céloktól eltérő felhasználás

Elektromos készülékek használata előtt vegye figyelembe az alábbi alapvető biztonsági intézkedéseket az alábbi veszélyek elleni védelem érdekében:

- áramütés
- tűzveszély
- sérülések

## 2.2 Alapvető biztonság



### VESZÉLY!

- Tűz esetén elektromos készülékek oltására alkalmas tűzoltó készüléket használjon.



### FIGYELMEZTETÉS!

- A készüléket csak rendeltetésszerűen használja.
- Ügyeljen arra, hogy a piros és fekete kapocs **soha** ne érintkezzen egymással.
- Az alábbi esetekben mindig húzza ki a készülék csatlakozódugóját a hálózati aljzatból:
  - minden tisztítás és karbantartás előtt
  - biztosítékcseré előtt
- Ha a készüléket szétszereli:
  - Oldja meg az összes csatlakozót.
  - Biztosítsa, hogy az összes be- és kimenet feszültségmentes legyen.
- Ha a készüléken vagy a csatlakozókábelen látható sérülések vannak, akkor a készüléket nem szabad üzembe helyezni.
- Ha a készülék csatlakozókábele megsérül, akkor azt – a veszélyeztetések elkerülése érdekében – a gyártóval, a vevőszolgálattal vagy egy hasonlóan képzett szakemberrel kell kicseréltetni.
- Javításokat csak szakemberek végezhetnek a készüléken. Nem szakemberű javítások jelentős veszélyeket okozhatnak.
- Jelen készüléket 8 év feletti gyermekek, valamint korlátozott fizikai, érzékszervi és szellemi képességű, illetve megfelelő tapasztalattal és/vagy tudással nem rendelkező személyek csak felügyelet mellett, illetve a készülék biztonságos használatát és az abból eredő veszélyeket megértve használhatják.
- **Az elektromos készülék nem gyerekjáték!**  
Ügy tartsa távolról és használja a készüléket, hogy gyermekek ne férhessenek hozzá.
- A gyermekekre figyelni kell, hogy a készülékkel ne játsszanak.



### FIGYELEM!

- Üzembe helyezés előtt hasonlítsa össze a feszültségadatokat a típus-táblán a megjelölt energiaellátással.
- Ügyeljen arra, hogy más tárgyak **ne** okozhassanak rövidzárlatot a készülék érintkezőinél.

- Soha ne húzza ki a csatlakozódugót a csatlakozókábelnél fogva az aljzatból.
- A készüléket száraz és hűvös helyen tárolja.

## 2.3 Biztonság a készülék felszerelésénél



### VESZÉLY!

- Ne szerelje fel a készüléket olyan területeken, ahol gáz- vagy porrobbanás veszélye áll fenn.



### VIGYÁZAT!

- Ügyeljen a biztonságos elhelyezésre!  
A készüléket úgy kell biztonságosan felállítani, hogy ne borulhasson fel és ne eshessen le.



### FIGYELEM!

- Ne helyezze ki a készüléket hőforrás (napsugárzás, fűtés stb.) hatásának. Ezáltal elkerülheti a készülék további felmelegedését.
- A készüléket száraz és fröccsenő víz ellen védett helyen állítsa fel.

## 2.4 Biztonság a készülék elektromos csatlakoztatása során



### VESZÉLY! Áramütés miatti életveszély!

- Ha elektromos berendezéseken dolgozik, biztosítsa, hogy legyen valaki a közelben, aki vészhelyzetben segítséget nyújthat.



### FIGYELMEZTETÉS!

- Az inverterhez csak egy fogyasztót csatlakoztasson. Kettő, vagy több fogyasztó csatlakoztatásakor rövidzárlat történhet.
- Ügyeljen a kielégítő vezeték-keresztmetszetre!
- A vezetékeket úgy vezesse, hogy azokat ajtók vagy motorháztetők ne sérthessék meg.  
Becsípődött kábelek életveszélyes sérüléseket okozhatnak.



### VIGYÁZAT!

- A vezetékeket úgy helyezze el, hogy ne keletkezzen botlásveszély és a kábel ne sérülhessen meg.

**FIGYELEM!**

- Ha vezetékeket lemezburkolatokon vagy más éles peremű falakon kell átvezetnie, akkor használjon csöveket vagy átvezetőket.
- **Ne** vezessen 230 V-os hálózati vezetékét és 12 V-os egyenáramú vezetékét azonos kábelcsatornában (csőben).
- **Ne** a vezetékeket lazán vagy élesen megtörve.
- A vezetékeket jól rögzítse.
- A vezetékekre ne fejtse ki húzóerőt.

## 2.5 Biztonság a készülék üzemeltetése során

**VESZÉLY! Áramütés miatti életveszély!**

- Soha ne fogjon meg pusztá kézzel csupasz vezetékeket. Ez mindenképp előtt a váltakozó áramú hálózatról történő üzemeltetés során érvényes.

**FIGYELMEZTETÉS!**

- A készüléket kizárólag zárt, jól szellőztetett helyiségekben használja.

**VIGYÁZAT!**

- **Ne** használja a készüléket
  - sótartalmú, nedves vagy vizes környezetben
  - agresszív gőzök közelében
  - éghető anyagok közelében,
  - robbanásveszélyes területeken
- Üzembe helyezés előtt ügyeljen arra, hogy a vezeték és a dugasz száraz legyen.
- A készüléken végzendő munkák előtt mindig szakítsa meg az áramellátást.
- Vegye figyelembe, hogy a készülék részei egy védőberendezés (biztosíték) kioldása esetén is még feszültség alatt állhatnak.
- Ne oldjon meg kábeleket, ha a készülék még üzemben van.

**FIGYELEM!**

- Ügyeljen arra, hogy a készülék levegőbevezető és -kivezető nyílásai ne legyenek elfedve.
- Gondoskodjon a megfelelő szellőzésről.

### 3 A csomag tartalma

Tétel / <b>1.</b> ábra, 3. oldal	Megnevezés
1	Színuszos inverter
2	Rögzítés
3	Rögzítőcsavarok
–	Kezelési útmutató

### 4 Rendeltetésszerű használat



#### FIGYELMEZTETÉS!

Az invertert nem szabad olyan járműben használni, amelynél az akkumulátor pluszpólusa a karosszériával össze van kötve.

Az inverterek egyenáram 230-V, 50 Hz váltóárammá történő átalakítására használhatók:

- **12 V**: DSP 212, DSP 412
- **24 V**: DSP 224, DSP 424

Az USB-csatlakozóról USB-porttal rendelkező, akkumulátorról üzemelő készülékek (5 V, 2000 mA) tölthetők fel.

Ez a készülék kizárólag járművekben való használatra alkalmas.

## 5 Műszaki leírás

Az inverterek bárhol üzemeltethetők, ahol rendelkezésre áll egyenáramú csatlakozó.

- **12 V<sub>DC</sub>**: DSP 212, DSP 412
- **24 V<sub>DC</sub>**: DSP 224, DSP 424

A kimeneti feszültség megfelel a háztartások dugaszolóaljzataiból nyerhető értékeknek (tiszta szinuszfeszültség, torzítási tényező < 5%).

Vegye figyelembe a tartós kimeneti teljesítményre és a kimeneti csúcsteljesítményre vonatkozó értékeket, lásd a „Műszaki adatok” fejj., 246. oldal fejezetben. Magasabb teljesítményigényű készülékeket nem szabad csatlakoztatni.



### MEGJEGYZÉS

Elektromos hajtással rendelkező készülékek (például fűrógép, hűtőgép stb.) csatlakoztatásánál vegye figyelembe, hogy ezek az induláshoz az adattáblán megadott értéknél nagyobb teljesítményt igényelnek.

Az inverter különböző védőmechanizmusokkal rendelkezik:

- **Túlfeszültség-védelem:** Az inverter kikapcsol, ha a feszültségérték a kikapcsolásérték fölé emelkedik. Csak a feszültség újraindítási érték alá csökkenése esetén indul újra.
- **Alacsony feszültség védelem:** Az inverter kikapcsol, ha a feszültségérték a kikapcsolásérték alá süllyed. Csak a feszültség újraindítási érték fölé növekedése esetén indul újra.
- **Túlmelegedés-védelem:** Az inverter kikapcsol, ha a készülékben uralkodó vagy a hűtőtesteken fennálló hőmérséklet túllép egy kikapcsolási értéket. Csak a feszültség újraindítási érték fölé növekedése esetén indul újra.
- **Túlterhelés-védelem és rövidzárlat-védelem:** Az inverteren lévő LED üzemmavart jelez, ha túl nagy terhelés van rácsatlakoztatva vagy rövidzárlat jött létre.



### MEGJEGYZÉS

Az egyes kapcsolási értékeket lásd: „Műszaki adatok” fejj., 246. oldal.

## 5.1 Kezelőelemek

Tétel / <b>2.</b> ábra, 3. oldal	Leírás
1	Főkapcsoló: Be- és kikapcsolja a készüléket
2	Állapotjelző LED: Lásd: „Üzemi jelzések” fejj., 243. oldal

## 5.2 Csatlakozók



### MEGJEGYZÉS

Az ábrán a kontinentális európai piacokra készült változat látható.

Tétel / <b>2.</b> ábra, 3. oldal	Leírás
3	USB csatlakozó
4	Váltakozó áramú aljzat
5	Egyenáramú dugasz
6	Ventilátor (háttoldal)
7	<b>Csak DSP412, DSP424:</b> Külső kapcsoló csatlakozója

# 6 Az inverter felszerelése

## 6.1 Szerelési útmutatások

A felszerelési hely kiválasztásánál vegye figyelembe a következő megjegyzéseket:

- Az inverter vízszintesen és függőlegesen is felszerelhető.
- Az invertert nedvességtől védett helyen kell beépíteni.
- Az invertert nem szabad gyúlékony anyagokat tartalmazó környezetekben beépíteni.
- Az invertert nem szabad poros környezetekben beépíteni.
- A beépítési helynek jól kell szellőznie. Zárt helyiségekben történő telepítés esetén befűvások és elszívások szellőzésről kell gondoskodni. Az inverter körüli szabad távolság legalább 5 cm legyen (**3.** ábra, 4. oldal).



- Az inverter alsó oldalán lévő levegőbevezető nyílás és a hátsó oldalán lévő levegőkivezető nyílás szabadon kell hogy maradjon.
- 40 °C-nél magasabb környezeti hőmérséklet esetén (pl. motortér vagy fűtéstér, közvetlen napsugárzás), az inverter maximális kimeneti teljesítménye csökken. Így az inverter túlterhelődés miatt lekapcsolhat.
- A felszerelési felületnek simának és kellő szilárdságúnak kell lennie.



### FIGYELEM!

Furatok készítése előtt ellenőrizze, hogy a fúrás, fűrészelés vagy reszelés nem okozta-e a jármű elektromos kábeleinek vagy más alkatrészeinek sérülését.

## 6.2 Az inverter felszerelése

- Az invertert az ábrán látható módon szerelje fel (4. ábra, 4. oldal).

# 7 Az inverter csatlakoztatása



### FIGYELMEZTETÉS!

Az inverterhez **csak egy** fogyasztót csatlakoztasson. Két vagy több fogyasztót csak villanyszerelő csatlakoztathat a helyi áramütésvédelmi rendelkezések figyelembe vétele mellett.



### FIGYELEM!

- A polaritás felcserélése esetén az egyik biztosíték kiég, ezt a Dometic szervizzel kell kicseréltetni. Ezen kívül az elektronikus rendszer is károsodhat.
- Vegye figyelembe, hogy az invertert csak a következő feszültséggel szabad üzemeltetni:
  - DSP212, DSP412: 12 V<sub>DC</sub>
  - DSP224, DSP424: 24 V<sub>DC</sub>

- Az invertert az ábrán látható módon csatlakoztassa:
  - Az akkumulátor csatlakoztatása:
    - DSP212, DSP224:** 5. ábra, 5. oldal
    - DSP412, DSP424:** 6. ábra, 5. oldal
  - Fogyasztók csatlakoztatása: 7. ábra, 6. oldal

## Be-, és kikapcsolást végző külső kapcsoló csatlakoztatása (csak DSP412, DSP424)



### MEGJEGYZÉS

Amint bekapcsolja a külső, vagy a főkapcsolót (2. ábra 1, 3. oldal) az inverter bekapcsol. Ha a vezérlést kizárólag a külső kapcsoló kell hogy végezze, akkor a főkapcsolót „0” állásba kell kapcsolni.

- ▶ A külső kapcsolót az ábrán látható módon csatlakoztassa (8. ábra, 6. oldal).

## 8 Az inverter használata



### VIGYÁZAT!

A fogyasztók csatlakoztatásakor vegye figyelembe a vonatkozó rendelkezéseket.

### 8.1 Az inverter bekapcsolása

- ▶ A főkapcsolóval (2. ábra 1, 3. oldal) kapcsolja be az invertert („I” állás) ...
- ▶ ... vagy (csak DSP412, DSP424) a külső kapcsolóval kapcsolja be az invertert (opcionális).
- ✓ Világít a kék állapotjelző LED (2. ábra 2, 3. oldal).
- ✓ A fogyasztó váltóáramú áramellátást kap.

### USB-porttal rendelkező készülék feltöltése



### MEGJEGYZÉS

Vegye figyelembe az USB-csatlakozón tölteni kívánt készülék használati útmutatójában leírtakat.

- ▶ Az ábrán látható módon csatlakoztassa a készüléket az inverter USB-csatlakozójához (9. ábra, 7. oldal).

## 8.2 Üzemi jelzések

A kék LED (2. ábra 2, 3. oldal) az inverter üzemállapotát jelzi.

Jelzés	Bemeneti feszültség
Folyamatosan világít	Normál üzem
Lassan villog, rövid megszakítással	Az inverter túlmelegedett/túlterhelődött
Gyorsan villog	Túlfeszültség/alacsony feszültség
Ki	Egyéb hiba

## 9 Az inverter karbantartása és tisztítása



### FIGYELEM!

Ne használjon éles vagy kemény eszközöket vagy tisztítószeret a tisztításhoz, mivel azok a termék sérülését okozhatják.

- Alkalmanként tisztítsa meg a terméket nedves ruhával.

## 10 Hibaelhárítás



### FIGYELMEZTETÉS!

Ne nyissa ki a készüléket. Áramütés veszélyének teszi ki magát!



### MEGJEGYZÉS

Az **inverter** részletes **adataira** vonatkozó kérdésekkel forduljon a gyártóhoz (a címetek lásd az útmutató hátoldalán).

A LED (2. ábra 2, 3. oldal) hibát jelez:

LED jelzés	Ok	Elhárítás
Gyorsan villog	Túl magas bemeneti feszültség	Ellenőrizze és csökkentse a bemeneti feszültséget.
	Túl alacsony bemeneti feszültség	Az akkumulátor utántöltést igényel. Ellenőrizze a vezetékeket és a csatlakozásokat.
Hosszan világít, rövid megszakítással	Túlmelegedés	Kapcsolja ki az invertert és a fogyasztót. Várjon kb. 5 – 10 percet, majd kapcsolja be újból az invertert fogyasztók nélkül. Csökkentse a terhelést és gondoskodjon az inverter jobb szellőzéséről. Ezt követően kapcsolja be újból a fogyasztót.
	Túl magas terhelés	Kapcsolja ki az invertert és távolítsa el a fogyasztót. Kapcsolja be újból az invertert fogyasztó nélkül. Ha ezt követően már nincs túlterheléses kijelzés, akkor a fogyasztónál fellépett rövidzárlat áll fenn vagy a teljes terhelés nagyobb volt az adatlapon megadott teljesítményél. Ellenőrizze a vezetékeket és a csatlakozásokat.
Ki	Egyéb hiba	Forduljon a vevőszolgálathoz.

## 11 Szavatosság

A termékre a törvény szerinti szavatossági időszak érvényes. A termék meghibásodása esetén forduljon a gyártói lerakathoz (a címeket lásd jelen útmutató hátoldalán), illetve az illetékes szakkereskedőhöz.

A javításhoz, illetve a szavatossági adminisztrációhoz a következő dokumentumokat kell mellékelnie:

- a számla vásárlási dátummal rendelkező másolatát,
- a reklamáció okát vagy a hibát tartalmazó leírást.

## 12 Leselejtezés



- ▶ A csomagolóanyagot lehetőleg a megfelelő újrahasznosítható hulladék közé tegye.



Ha a terméket véglegesen kivonja a forgalomból, kérjük, tájékozódjon a legközelebbi hulladékártalmatlanító központnál vagy a szakkereskedőjénél az idevonatkozó ártalmatlanítási előírásokkal kapcsolatban.

## 13 Műszaki adatok

A következő műszaki adatok az összes inverterre vonatkoznak:

Kimeneti feszültség:	230 V $\sim$ $\pm$ 10 %, tiszta szinuszhullám (torzítási tényező < 5%)
Kimeneti frekvencia:	50 Hz $\pm$ 0,5 Hz
Maximális hatások:	>90 %
Hőelvezetés:	hőmérséklet-, és terhelésvezérelt ventilátor
Környezeti hőmérséklet, üzem:	0 °C és +50 °C között
Környezeti hőmérséklet, tárolás:	-30 °C és +70 °C között
Légnedvesség:	0 – 95 %, nem kondenzálódó
Vizsgálat / tanúsítvány:	 

	DSP212	DSP412	DSP224	DSP424
Cikkszám:	9600002603 9600003593	9600002541 9600003595	9600002540 9600003594	9600002542 9600003596
Névleges bemeneti feszültség:	12 V $\equiv$		24 V $\equiv$	
Bemeneti feszültségtartomány:	10 – 16,5 V $\equiv$		20 – 33 V $\equiv$	
Névleges teljesítmény:	150 W	350 W	150 W	350 W
Maximális teljesítmény 1 perc időtartamig:	170 W	400 W	170 W	400 W
Csúcsteljesítmény 1 másodperc időtartamig:	300 W	700 W	300 W	700 W
Üresjáratú áramfelvétel:	<0,6 A	<0,6 A	<0,4 A	<0,4 A
Méret (szélesség x mélység x magasság):	<b>10.</b> ábra, 7. oldal			
Súly:	1,1 kg	1,2 kg	1,1 kg	1,2 kg

**Védőberendezések**

	<b>12 V</b>	<b>24 V</b>
Bemenet:	Alacsony feszültség	
Váltakozó áramú kimenet:	Túlfeszültség, rövidzárlat, túlterhelés	
Hőmérséklet:	Lekapcsolás	
Rövidzárlat védelem:	igen, lpk	

**Túlfeszültség-védelem**

<b>Készülék</b>	<b>Túlfeszültség</b>	
	<b>Lekapcsolás</b>	<b>Újrarendítés</b>
DSP212, DSP412	16,5 V	15,5 V
DSP224, DSP424	33 V	31 V

**Alacsony feszültség védelem**

<b>Készülék</b>	<b>Alacsony feszültség</b>	
	<b>Lekapcsolás</b>	<b>Újrarendítés</b>
DSP212, DSP412	10 V	12 V
DSP224, DSP424	20 V	24 V

Készüléke aktuális EU megfelelőségi nyilatkozatát a [dometic.com](http://dometic.com) honlap vonatkozó termékoldalán találhatja meg, vagy közvetlenül a gyártótól szerezheti be (lásd a hátoldalon).

**GERMANY****Dometic WAECO International GmbH**

Hollefeldstraße 63 · D-48282 Emsdetten  
 ☎ +49 (0) 2572 879-0 · 📠 +49 (0) 2572 879-300  
 Mail: info@dometic-waeco.de

**dometic.com****AUSTRALIA****Dometic Australia Pty. Ltd.**

1 John Duncan Court  
 Varsity Lakes QLD 4227  
 ☎ 1800 212121  
 📠 +61 7 55076001  
 Mail: sales@dometic.com.au

**AUSTRIA****Dometic Austria GmbH**

Neudorferstraße 108  
 A-2353 Guntramsdorf  
 ☎ +43 2236 908070  
 📠 +43 2236 90807060  
 Mail: info@dometic.at

**BENELUX****Dometic Branch Office Belgium**

Zincstraat 3  
 B-1500 Halle  
 ☎ +32 2 3598040  
 📠 +32 2 3598050  
 Mail: info@dometic.be

**BRAZIL****Dometic DO Brasil LTDA**

Avenida Paulista 1754, conj. 111  
 SP 01310-920 Sao Paulo  
 ☎ +55 11 3251 3352  
 📠 +55 11 3251 3362  
 Mail: info@dometic.com.br

**DENMARK****Dometic Denmark A/S**

Nordensvej 15, Taulov  
 DK-7000 Fredericia  
 ☎ +45 75585966  
 📠 +45 75586307  
 Mail: info@dometic.dk

**FINLAND****Dometic Finland OY**

Mestariitie 4  
 FIN-01730 Vantaa  
 ☎ +358 20 7413220  
 📠 +358 9 7593700  
 Mail: info@dometic.fi

**FRANCE****Dometic SAS**

ZA du Pré de la Dame Jeanne  
 B.P. 5  
 F-60128 Pleilly  
 ☎ +33 3 44633525  
 📠 +33 3 44633518  
 Mail: vehiculesdeloisirs@dometic.fr

**HONG KONG****Dometic Group Asia Pacific**

Suites 2207-11 / 22/F - Tower 1  
 The Gateway - 25 Canton Road,  
 Tsim Sha Tsui - Kowloon  
 ☎ +852 2 4611386  
 📠 +852 2 4665553  
 Mail: info@waeco.com.hk

**HUNGARY****Dometic Zrt. Sales Office**

Kerekgyártó u. 5.  
 H-1147 Budapest  
 ☎ +36 1 468 4400  
 📠 +36 1 468 4401  
 Mail: budapest@dometic.hu

**ITALY****Dometic Italy S.r.l.**

Via Virgilio, 3  
 I-47122 Forlì (FC)  
 ☎ +39 0543 754901  
 📠 +39 0543 754983  
 Mail: vendite@dometic.it

**JAPAN****Dometic KK**

Maekawa-Shibaura, Bldg. 2  
 2-13-9 Shibaura Minato-ku  
 Tokyo 108-0023  
 ☎ +81 3 5445 3333  
 📠 +81 3 5445 3339  
 Mail: info@dometic.jp

**MEXICO****Dometic Mx, S. de R. L. de C. V.**

Circuito Médicos No. 6 Local 1  
 Colonia Ciudad Satélite  
 CP 53100 Naucalpan de Juárez  
 Estado de México  
 ☎ +52 55 5374 4108  
 📠 +52 55 5393 4683  
 Mail: info@dometic.com.mx

**NETHERLANDS****Dometic Benelux B.V.**

Ecustraat 3  
 NL-4879 NP Etten-Leur  
 ☎ +31 76 5029000  
 📠 +31 76 5029019  
 Mail: info@dometic.nl

**NEW ZEALAND****Dometic New Zealand Ltd.**

PO Box 12011  
 Penrose  
 Auckland 1642  
 ☎ +64 9 622 1490  
 📠 +64 9 622 1573  
 Mail: customerservices@dometic.co.nz

**NORWAY****Dometic Norway AS**

Østerøyveien 46  
 N-3232 Sandefjord  
 ☎ +47 33428450  
 📠 +47 33428459  
 Mail: firmapost@dometic.no

**POLAND****Dometic Poland Sp. z o.o.**

Ul. Puławska 435A  
 PL-02-801 Warszawa  
 ☎ +48 22 414 3200  
 📠 +48 22 414 3201  
 Mail: info@dometic.pl

**PORTUGAL****Dometic Spain, S.L.**

Branch Office em Portugal  
 Rot. de São Gonçalo nº 1 – Esc. 12  
 2775-399 Carcavelos  
 ☎ +351 219 244 173  
 📠 +351 219 243 206  
 Mail: info@dometic.pt

**RUSSIA****Dometic RUS LLC**

Komsomolskaya square 6-1  
 RU-107140 Moscow  
 ☎ +7 495 780 79 39  
 📠 +7 495 916 56 53  
 Mail: info@dometic.ru

**SINGAPORE****Dometic Pte Ltd**

18 Boon Lay Way 06-140 Trade Hub 21  
 Singapore 609966  
 ☎ +65 6795 3177  
 📠 +65 6862 6620  
 Mail: dometic@dometic.com.sg

**SLOVAKIA****Dometic Slovakia s.r.o. Sales Office Bratislava**

Nádražná 34/A  
 900 28 Ivanka pri Dunaji  
 ☎/📠 +421 2 45 529 680  
 Mail: bratislava@dometic.com

**SOUTH AFRICA****Dometic (Pty) Ltd.****Regional Office****South Africa & Sub-Saharan Africa**

2 Avalon Road  
 West Lake View Ext 11  
 Modderfontein 1645  
 Johannesburg  
 ☎ +27 11 4504978  
 📠 +27 11 4504976  
 Mail: info@dometic.co.za

**SPAIN****Dometic Spain S.L.**

Avda. Sierra del Guadarrama, 16  
 E-28691 Villanueva de la Cañada  
 Madrid  
 ☎ +34 91 833 60 89  
 📠 +34 900 100 245  
 Mail: info@dometic.es

**SWEDEN****Dometic Scandinavia AB**

Gustaf Melins gata 7  
 S-42131 Västra Frölunda  
 ☎ +46 31 7341100  
 📠 +46 31 7341101  
 Mail: info@dometicgroup.se

**SWITZERLAND****Dometic Switzerland AG**

Riedackerstrasse 7a  
 CH-8153 Rümlang  
 ☎ +41 44 8187171  
 📠 +41 44 8187191  
 Mail: info@dometic.ch

**UNITED ARAB EMIRATES****Dometic Middle East FZCO**

P. O. Box 17860  
 S-D 6, Jebel Ali Freezone  
 Dubai  
 ☎ +971 4 883 3858  
 📠 +971 4 883 3868  
 Mail: info@dometic.ae

**UNITED KINGDOM****Dometic UK Ltd.**

Dometic House, The Brewery  
 Blandford St. Mary  
 Dorset DT11 9LS  
 ☎ +44 344 626 0133  
 📠 +44 344 626 0143  
 Mail: customerservices@dometic.co.uk

**USA****Dometic RV Division**

1120 North Main Street  
 Elkhart, IN 46515  
 ☎ +1 574-264-2131